

ASSEMBLY INSTRUCTION

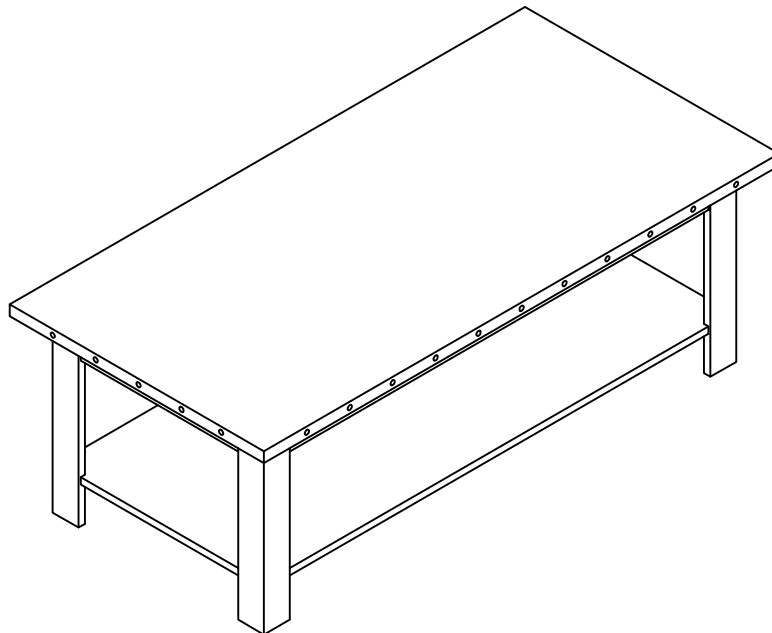
PLEASE READ BEFORE ASSEMBLING!

Tip #1: Make sure you've taken all the pieces and hardware out of its packaging before discarding the box. Assembly on top of flattened box/blanket is recommended.

Tip #2: Using page 2 and/or page 3 of instruction manual make sure all pieces and hardware are accounted for.

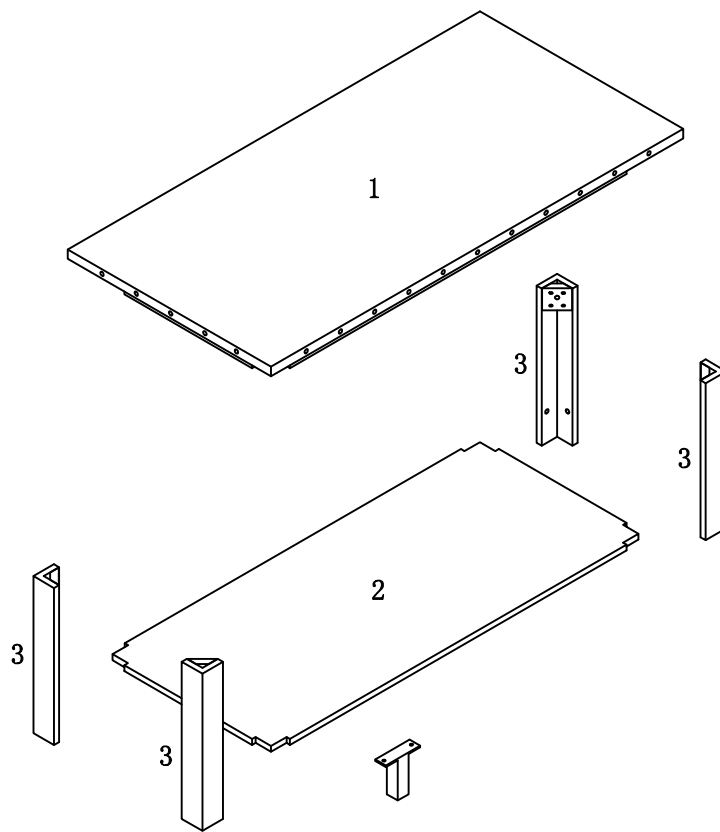
Tip #3: Note position of all holes on each panel during assembly.

ITEM#: 182286



PARTS IDENTIFICATION



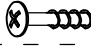

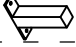

ITEM#: 182286



- (1) 1pc
- (2) 1pc
- (3) 4pcs

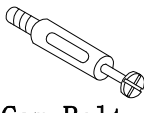
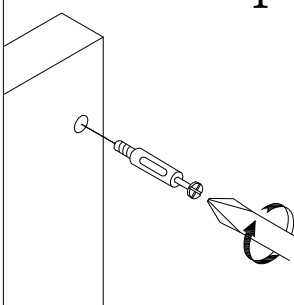
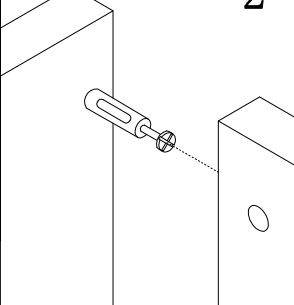
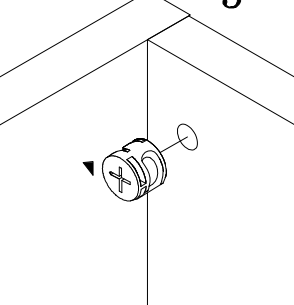
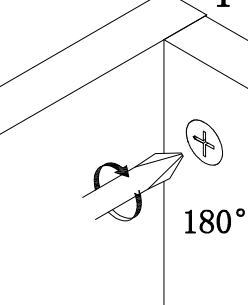

HARDWARE IDENTIFICATION

ITEM#: 182286

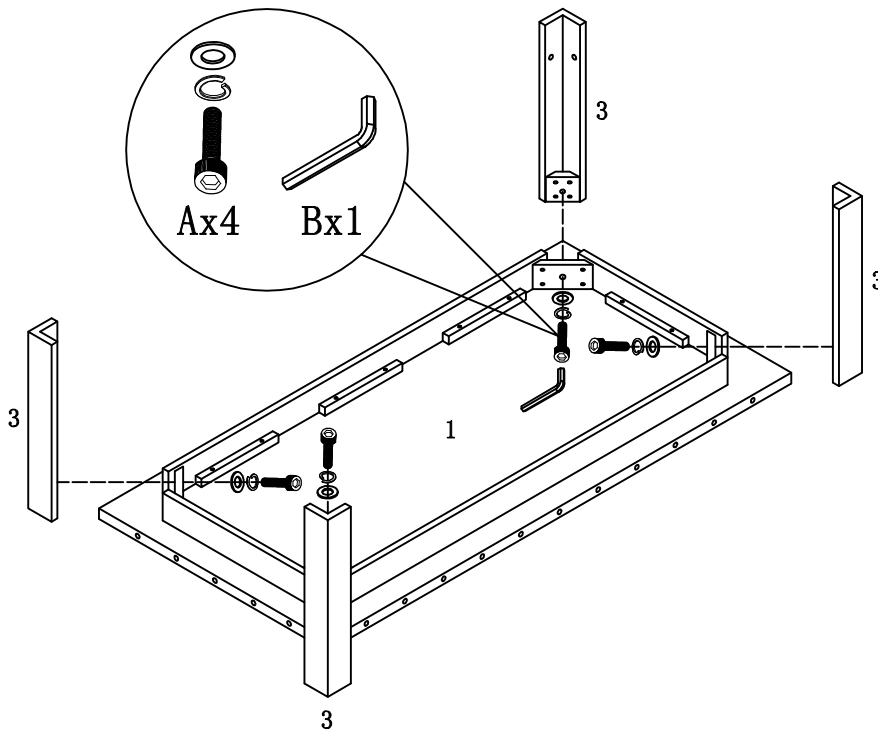
| | | | |
|---|---|-----------|------|
| A |  | M8x55 | 4pcs |
| B |  | M5 | 1pc |
| C |  | ∅5x25 | 8pcs |
| D |  | ∅16 | 4pcs |
| E |  | 80×25×100 | 1pc |
| F |  | M6x12 | 2pcs |

ASSEMBLY INSTRUCTION

ITEM#: 182286

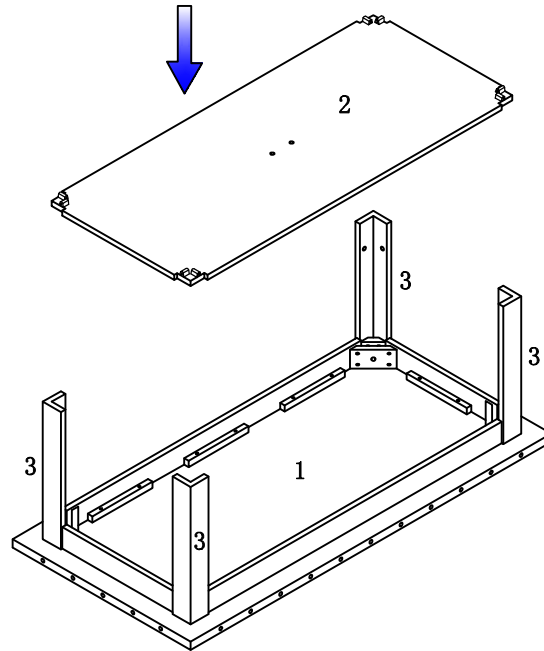
| HOW TO | 1 | 2 | 3 | 4 |
|---|---|---|--|---|
|  Cam Bolt |  |  |  |  |
|  Cam Lock | 1. Screw Cam Bolt into panel. | 2. Insert Cam Bolt into bolt hole of joining panel. | 3. Insert Cam Lock. arrow facing bolt. | 4. Gently turn Cam Lock clockwise to lock position. |

STEP 1



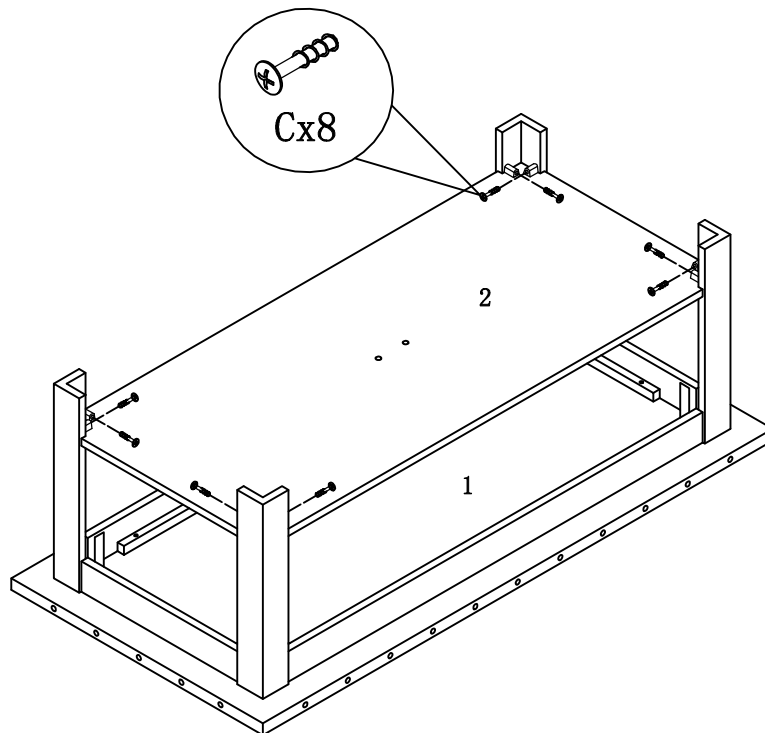
ASSEMBLY INSTRUCTION

ITEM#: 182286



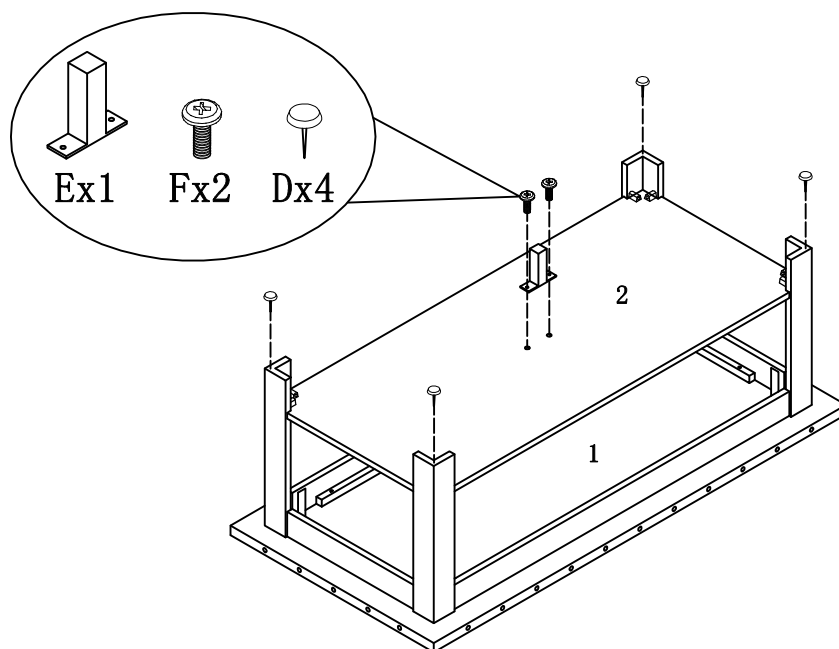
STEP2

STEP3



ASSEMBLY INSTRUCTION

ITEM#: 182286



STEP4

STEP5

