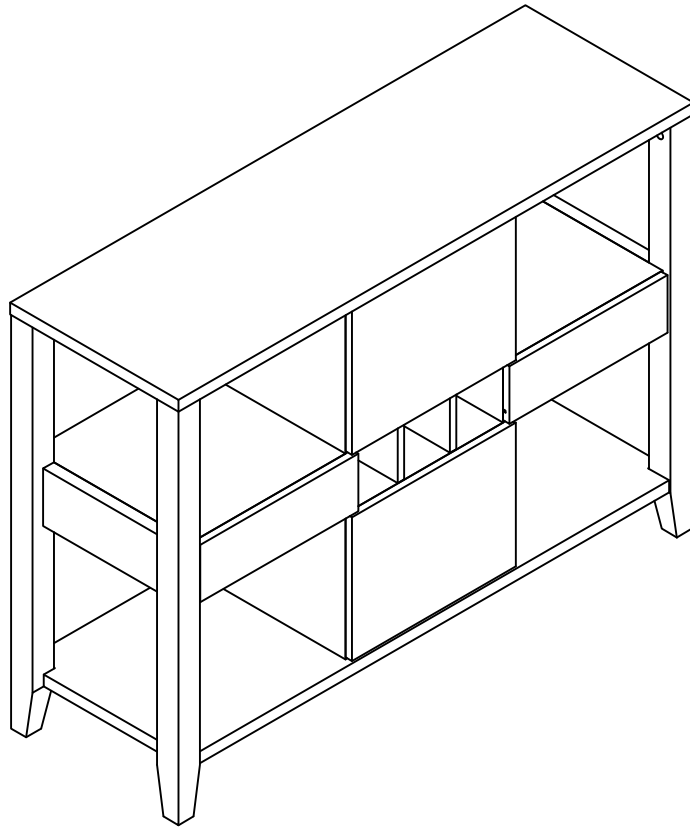


# ASSEMBLY INSTRUCTION

---

ITEM#: 182315



# ASSEMBLY INSTRUCTION

---

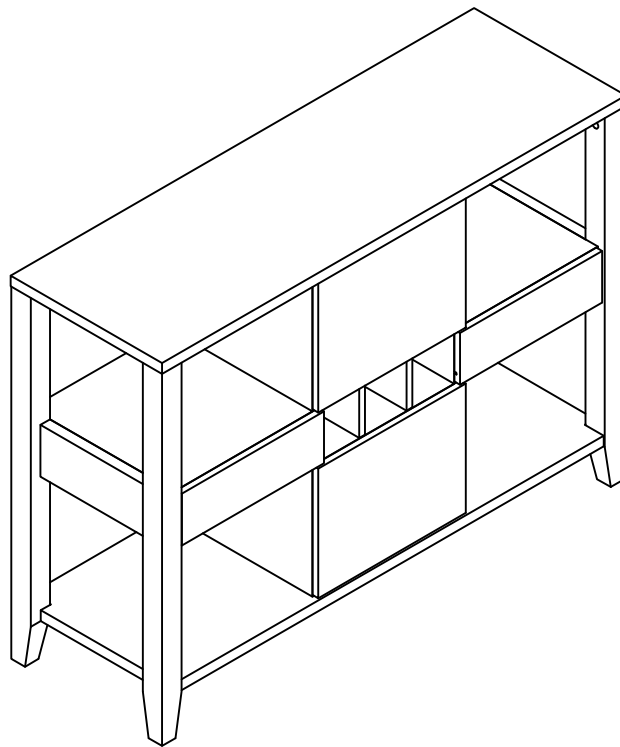
## PLEASE READ BEFORE ASSEMBLING!

Tip #1: Make sure you've taken all the pieces and hardware out of its packaging before discarding the box. Assembly on top of flattened box/blanket is recommended.

Tip #2: Using page 2 and/or page 3 of instruction manual make sure all pieces and hardware are accounted for.

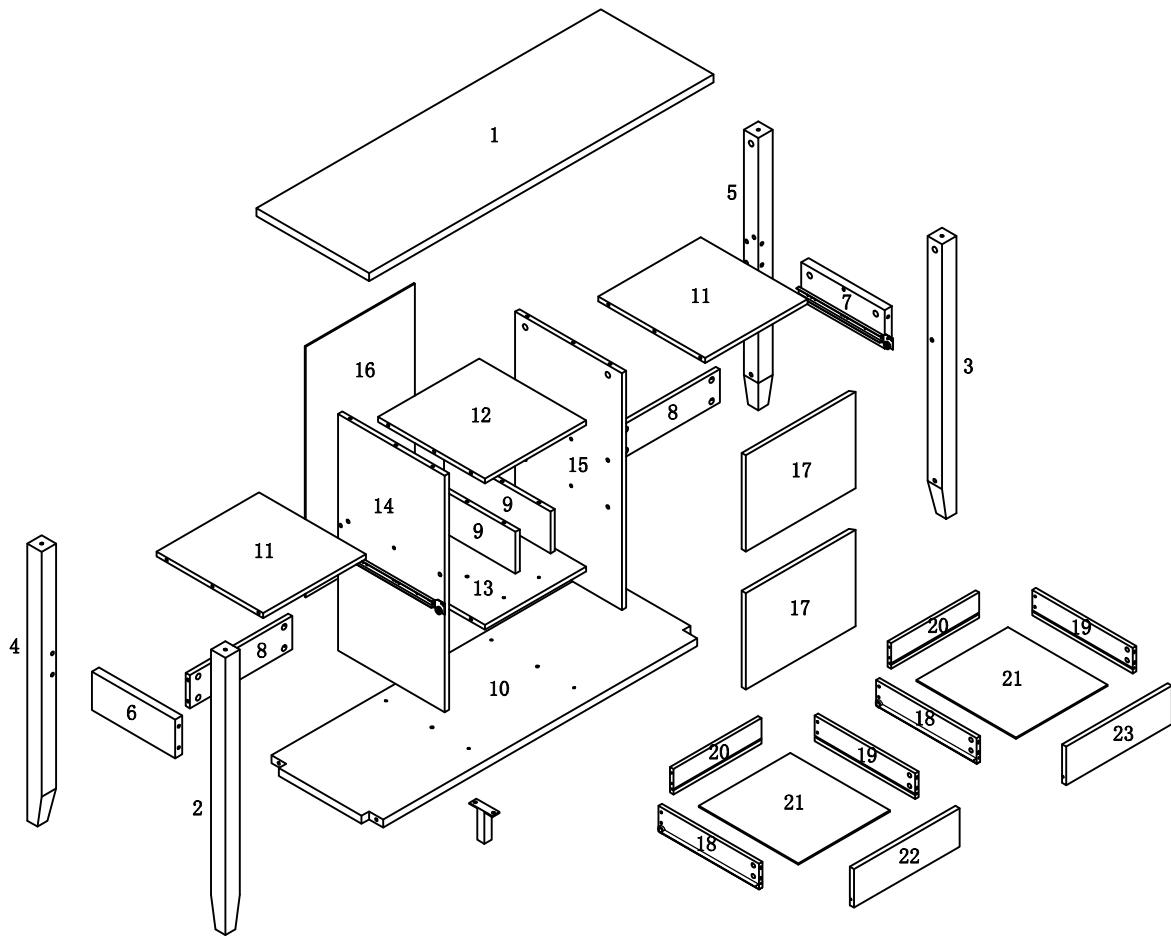
Tip #3: Note position of all holes on each panel during assembly.

ITEM#: 182315



# PARTS IDENTIFICATION



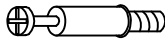


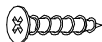
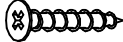




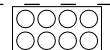



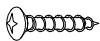

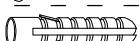


ITEM#: 182315



(1)	1pc	(7)	1pc	(13)	1pc	(19)	2pcs
(2)	1pc	(8)	2pcs	(14)	1pc	(20)	2pcs
(3)	1pc	(9)	2pcs	(15)	1pc	(21)	2pcs
(4)	1pc	(10)	1pc	(16)	1pc	(22)	1pc
(5)	1pc	(11)	2pcs	(17)	2pcs	(23)	1pc
(6)	1pc	(12)	1pc	(18)	2pcs		

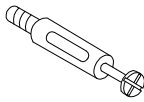

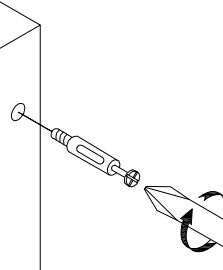
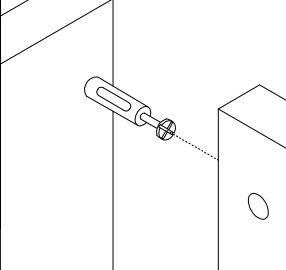
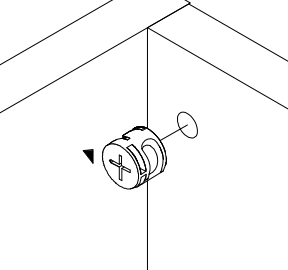
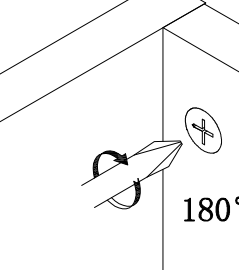
# HARDWARE IDENTIFICATION

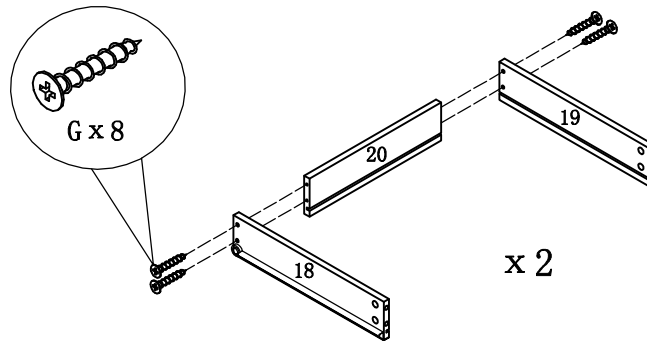
ITEM#: 182315

A		L29	48pcs
B		ø15	48pcs
C		L20	8pcs
D		ø12	8pcs
E		ø8x25	16pcs
F		ø4x16	16pcs
G		ø4x30	8pcs
H		ø4x40	8pcs
I		301A	4pcs
J		M6x25	2pcs
K			26pcs
L		ø22	20pcs
M		ø16	4pcs
N		80×25×97	1pc
O		197×5×1	1pc
P		ø4x25	1pc
Q		ø5x40	1pc
R		ø8 x 40	1pc
S		12×12×1	2pcs
T		Glue: For securing please apply to wood dowel first before inserting into panel	1pc

# ASSEMBLY INSTRUCTION

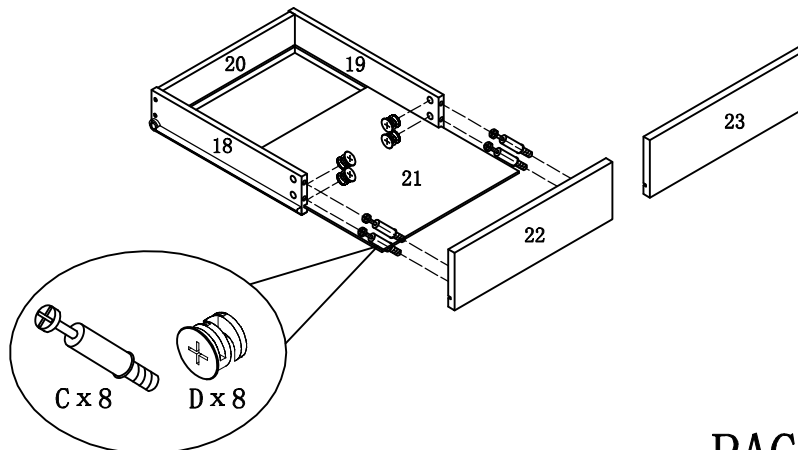
ITEM#: 182315

HOW TO	1	2	3	4
 Cam Bolt   Cam Lock				
	1. Screw Cam Bolt into panel.	2. Insert Cam Bolt into bolt hole of joining panel.	3. Insert Cam Lock. arrow facing bolt.	4. Gently turn Cam Lock clockwise to lock position.



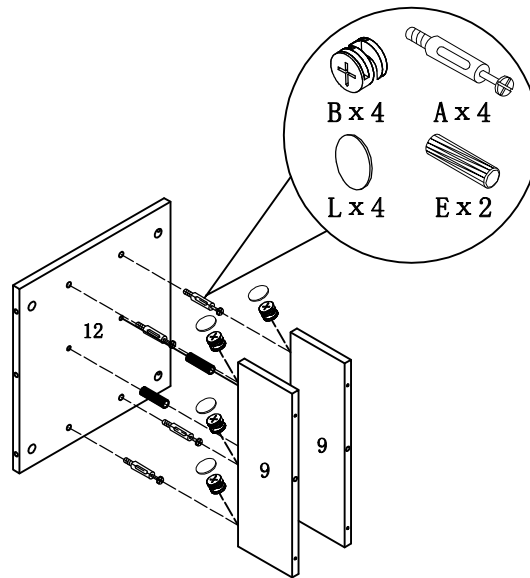
## STEP 1

## STEP 2



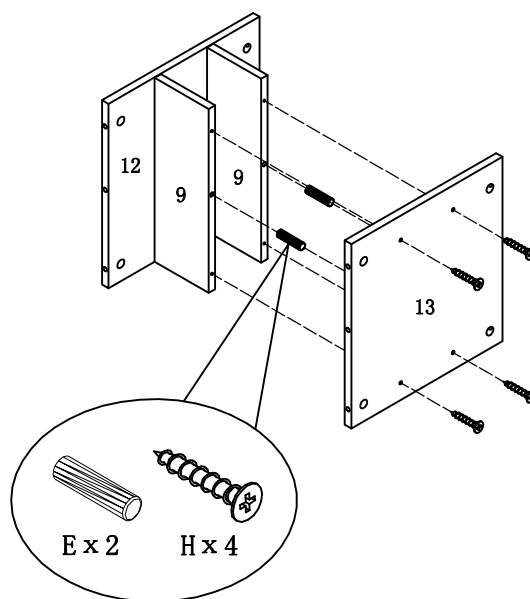
# ASSEMBLY INSTRUCTION

ITEM#: 182315



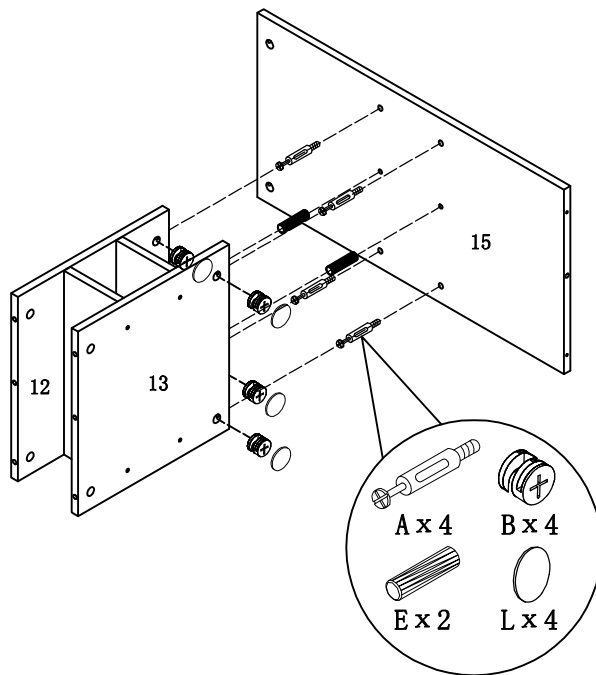
STEP3

STEP4



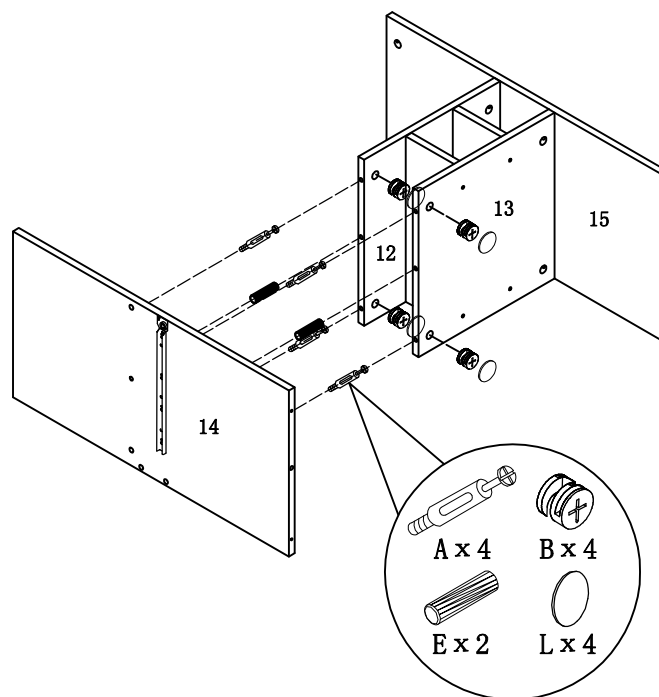
# ASSEMBLY INSTRUCTION

ITEM#: 182315



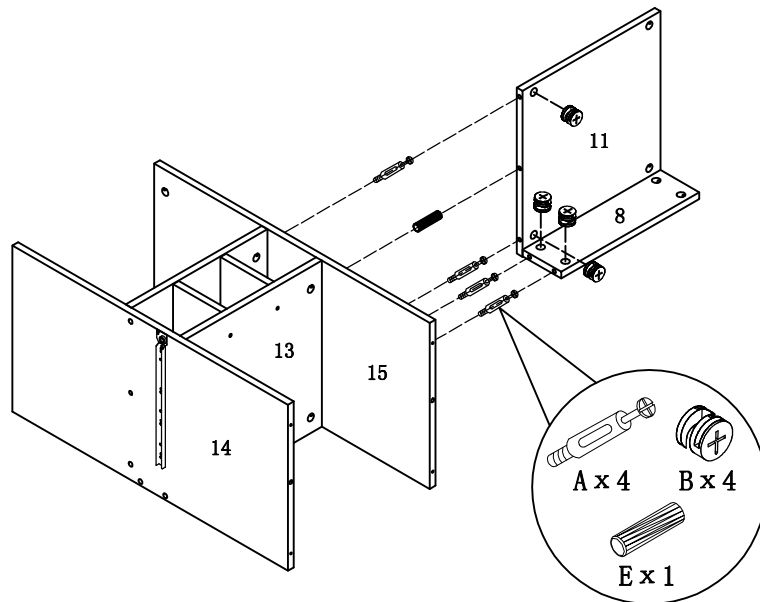
STEP5

STEP6



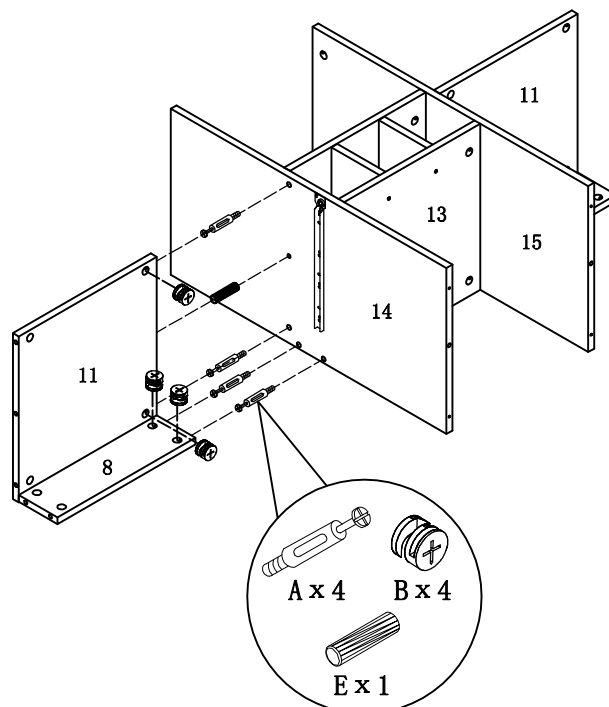
# ASSEMBLY INSTRUCTION

ITEM#: 182315



STEP 7

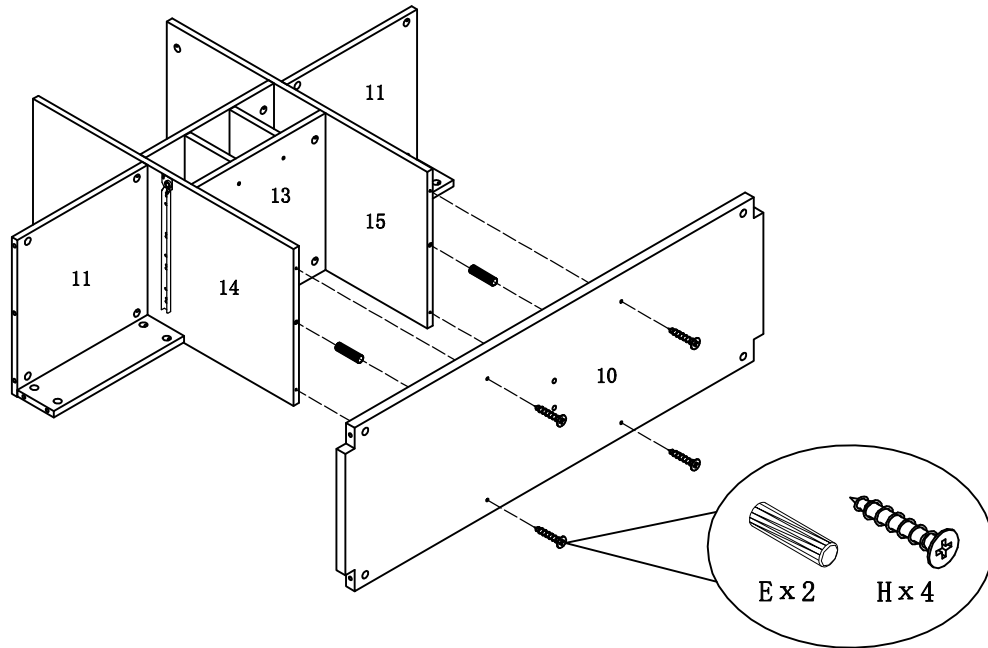
STEP 8





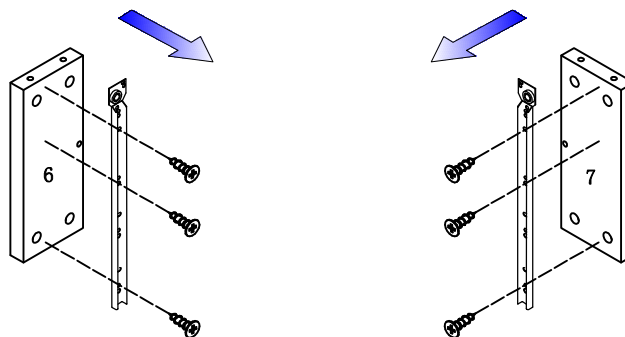
# ASSEMBLY INSTRUCTION

ITEM#: 182315



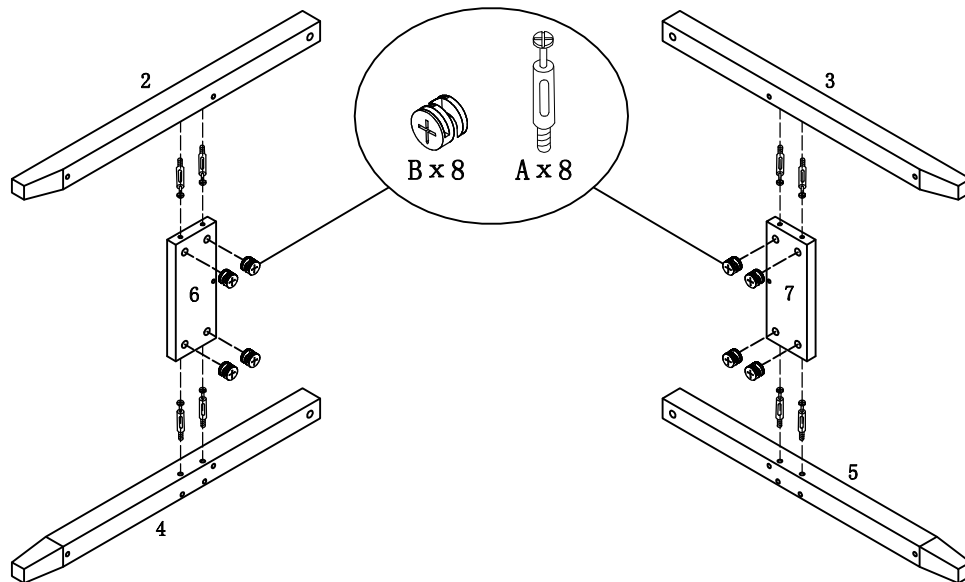
STEP9

STEP10



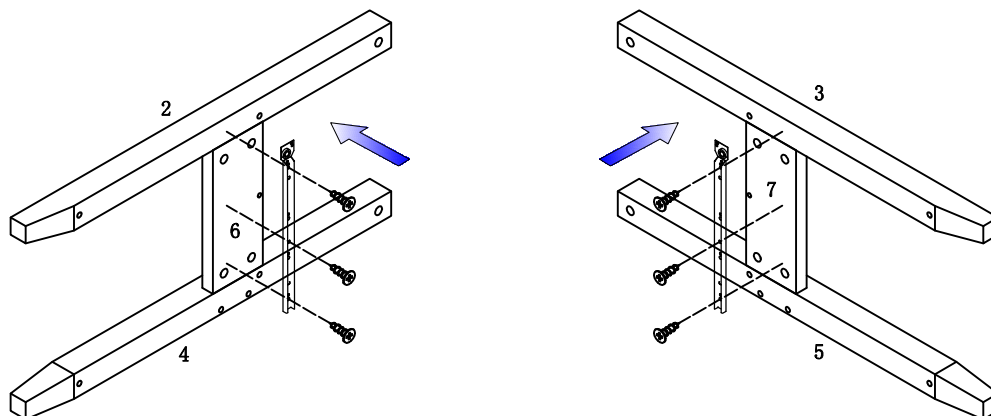
# ASSEMBLY INSTRUCTION

ITEM#: 182315



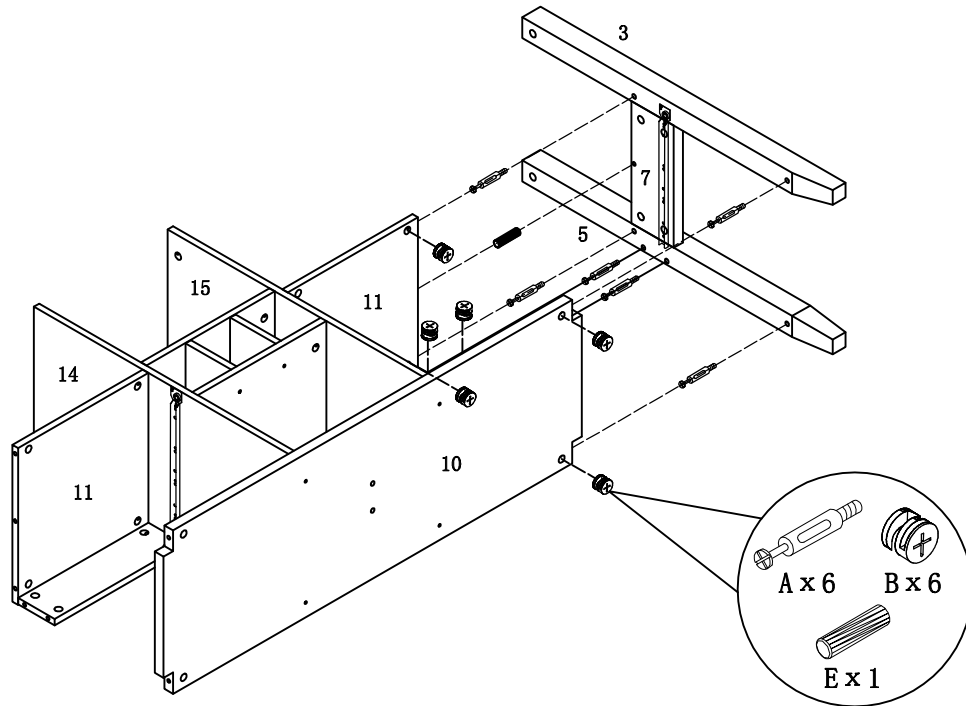
STEP 11

STEP 12



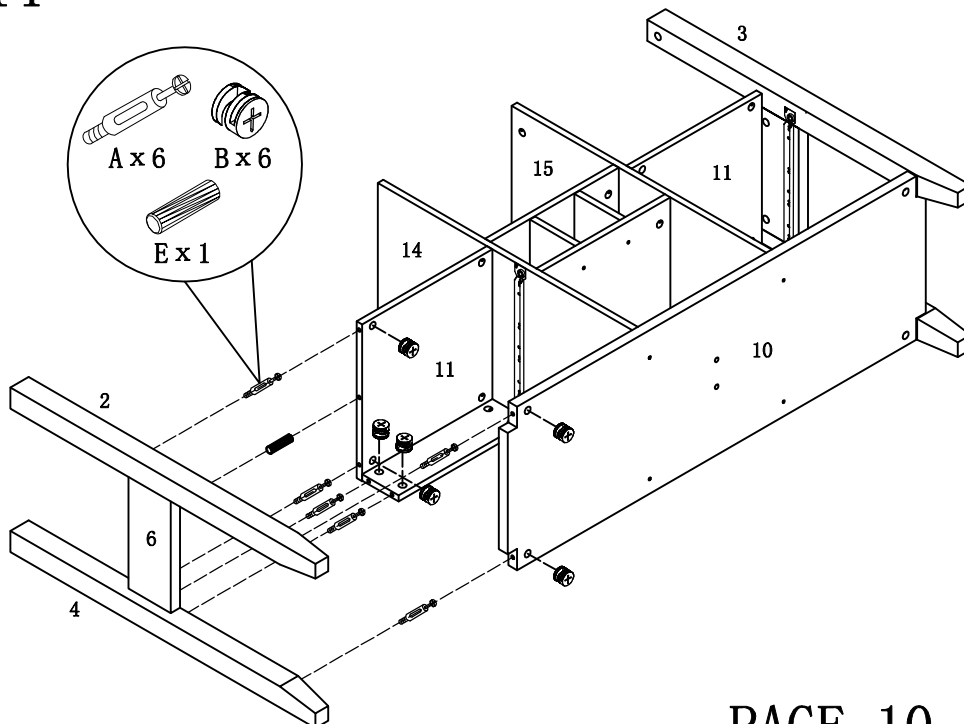
# ASSEMBLY INSTRUCTION

ITEM#: 182315



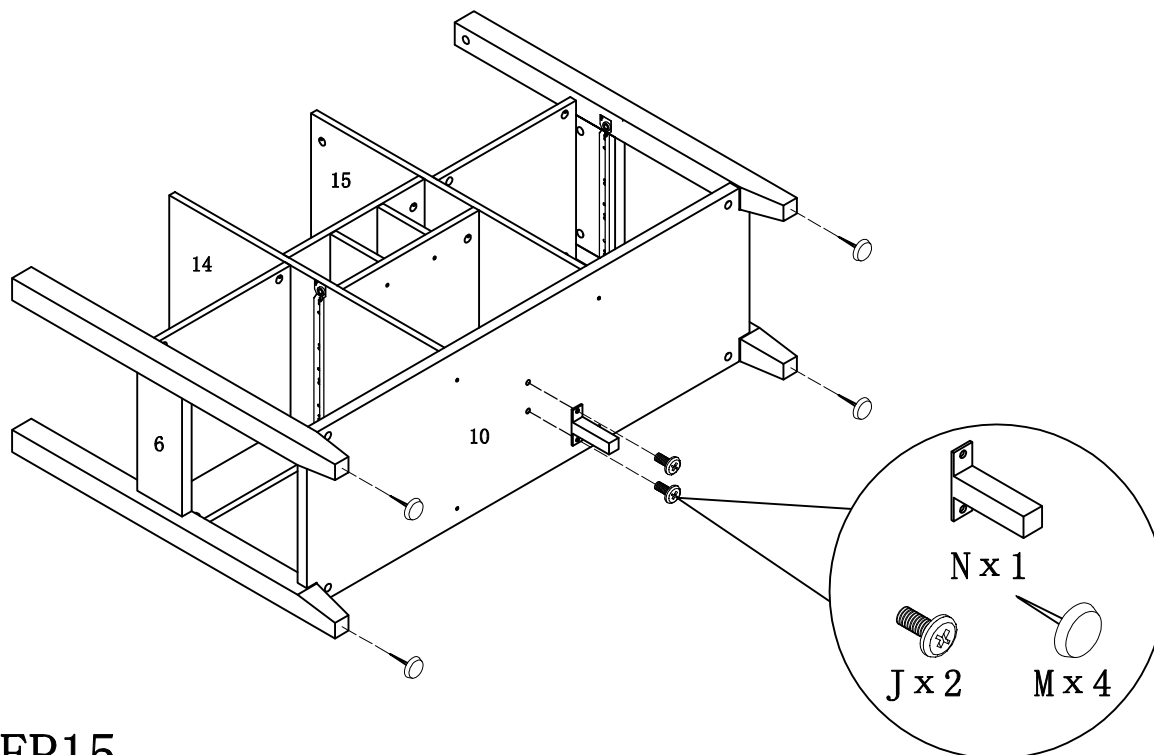
STEP 13

STEP 14



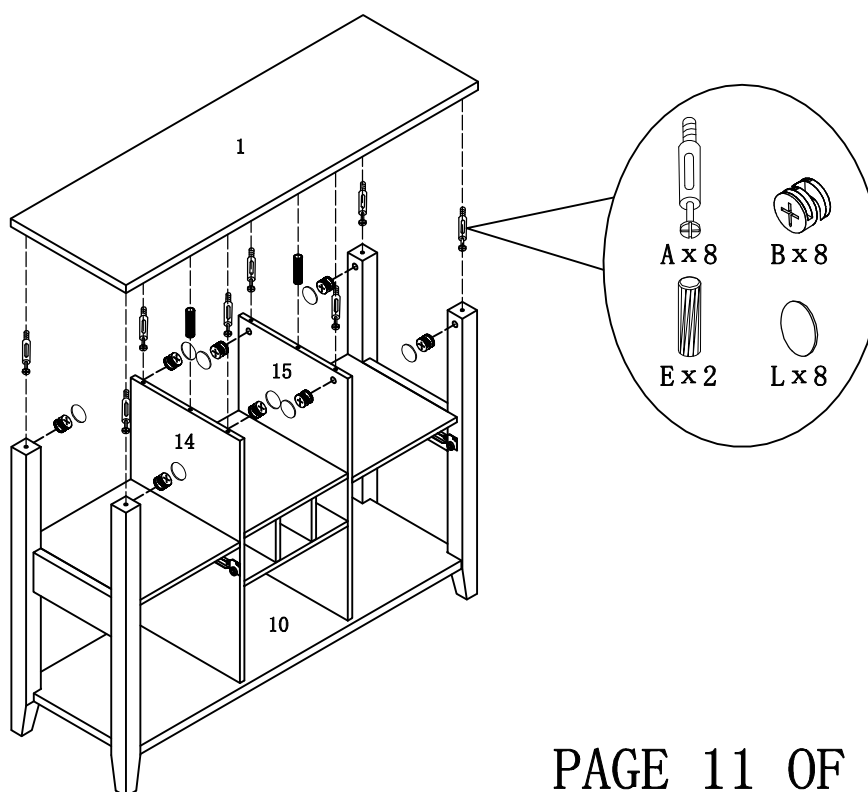
# ASSEMBLY INSTRUCTION

ITEM#: 182315



STEP 15

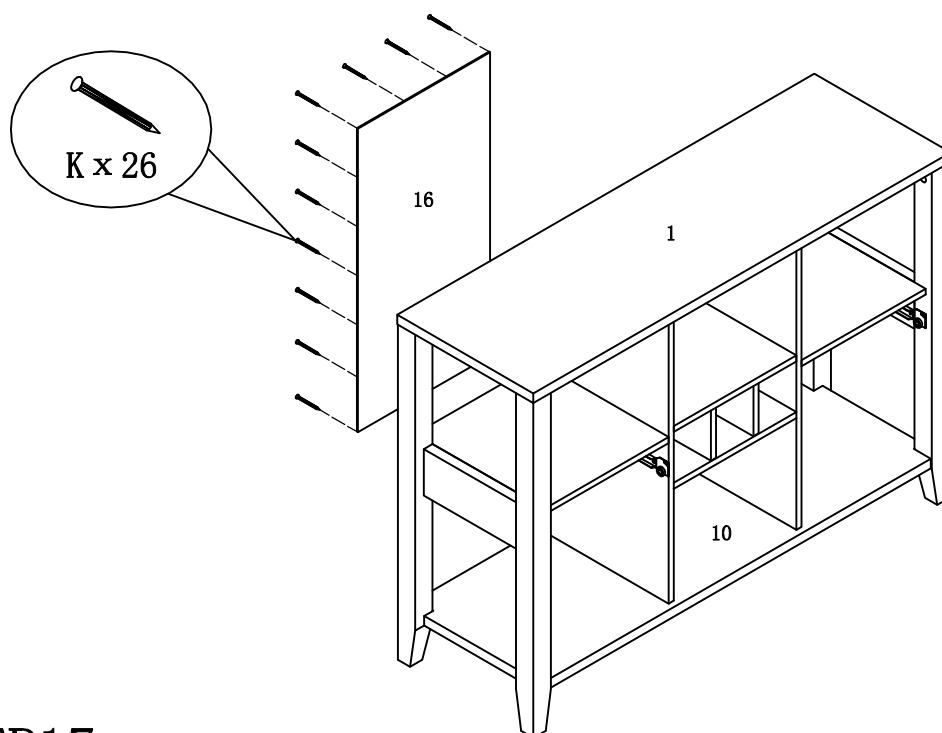
STEP 16



PAGE 11 OF 14

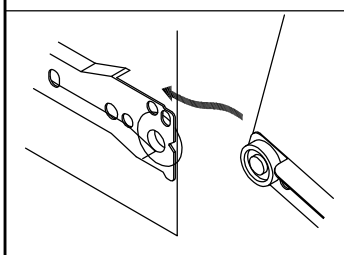
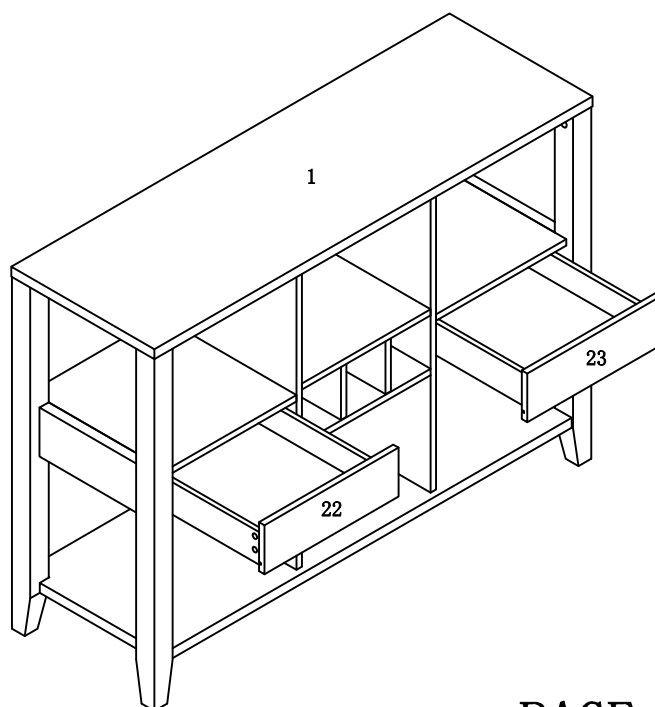
# ASSEMBLY INSTRUCTION

ITEM#: 182315



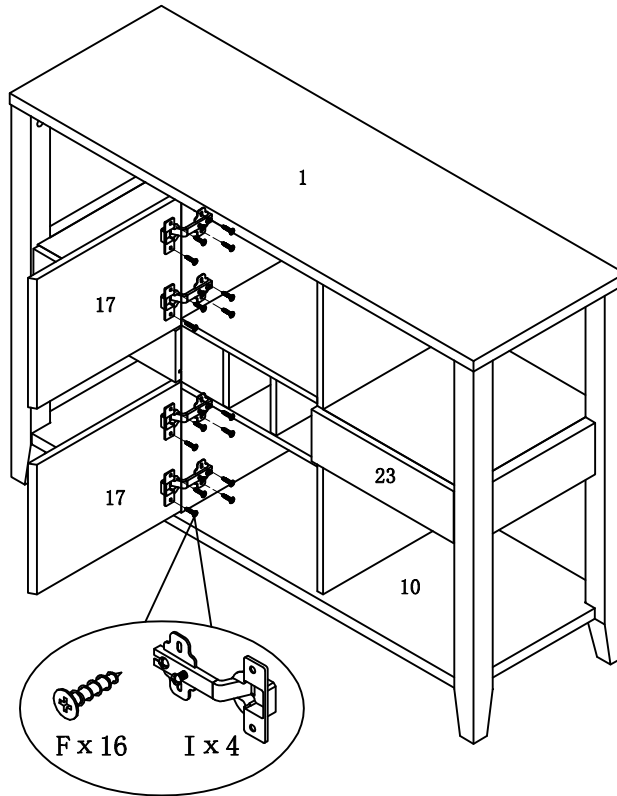
STEP 17

STEP 18



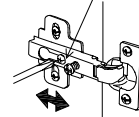
# ASSEMBLY INSTRUCTION

ITEM#: 182315

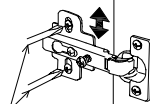


STEP19

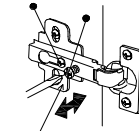
To adjust the door in or out, loosen this screw and push the door further in or push further out then retighten screws.



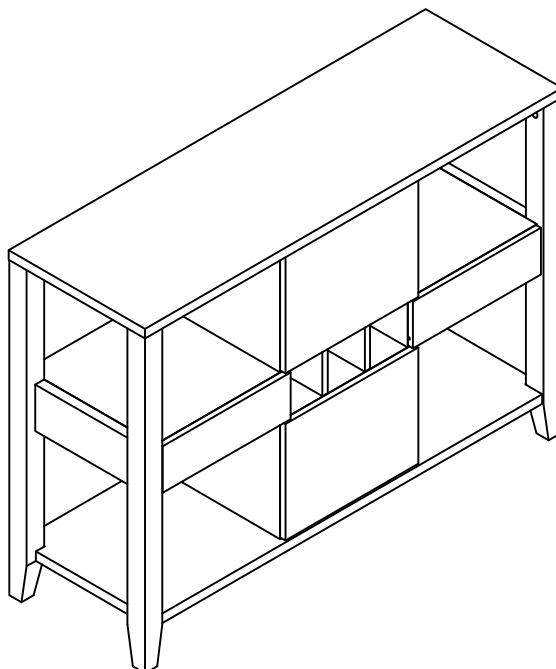
To adjust the door vertically, loosen the top and bottom screws, push the door up or down as necessary, then retighten screws.



To adjust the door left/right, turn this screw clockwise to move this corner of the door toward the frame, or counterclockwise to move door away from the frame.



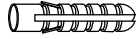
STEP20



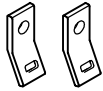
# ANTI-TIPPING STRAP INSTRUCTION

## HARDWARE (INCLUDED) :

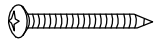
## TOOLS NEEDED ( NOT INCLUDED) :



DRYWALL ANCHOR  $\phi 8 \times 40$  X 1PC



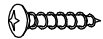
METAL BRACKETS  $12 \times 12 \times 1$  X 2PCS



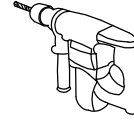
DRYWALL SCREW  $\phi 5 \times 40$  X 1PC



STRAP  $197 \times 5 \times 1$  X 1PC



FLATHEAD SCREW  $\phi 4 \times 25$  X 1PC



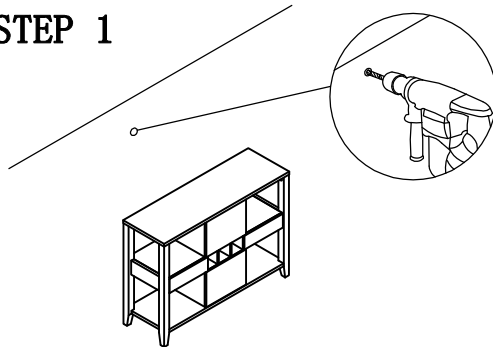
DRILL & DRILL BIT



LIGHT HAMMER

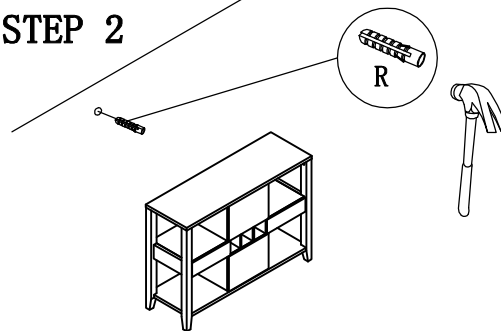
Note: Hardware included only compatible with standard drywalls.

### STEP 1



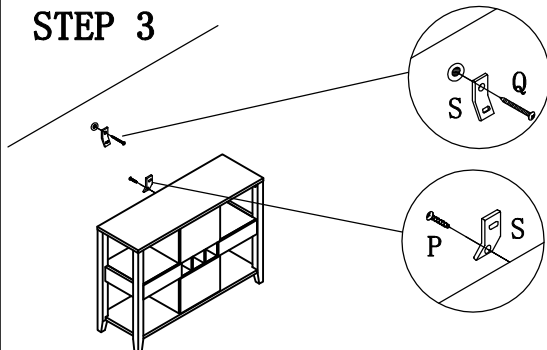
1. Find spot on wall 1" below top of item.
2. Using a drill bit slightly thinner than anchor, drill hole into drywall.

### STEP 2



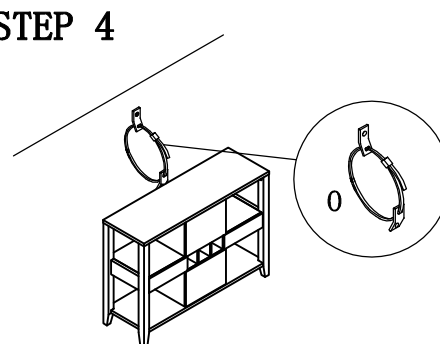
1. Use a light hammer to tap anchor into hole.
2. Anchor should fit snugly. If hole is too small, drill again to increase hole size. Do not force anchor into wall.

### STEP 3



1. Insert drywall screw into metal bracket and into drywall anchor.
2. Insert flathead screw into second metal bracket and into back of item, along top edge.

### STEP 4



1. Insert strap thru bracket attached to wall, then thru bracket on item, and into head of strap.
  2. pull lightly til strap stops.
- Assembly is complete.