

ASSEMBLY INSTRUCTION

PLEASE READ BEFORE ASSEMBLING!

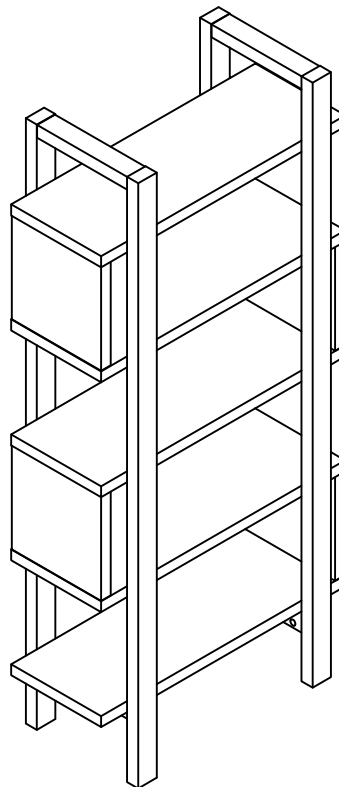
Tip #1: Make sure you've taken all the pieces and hardware out of its packaging before discarding the box.

Tip #2: Using page 2 and/or page 3 of instruction manual make sure all pieces and hardware are accounted for.

Tip #3: Read manual before assembling, it helps!

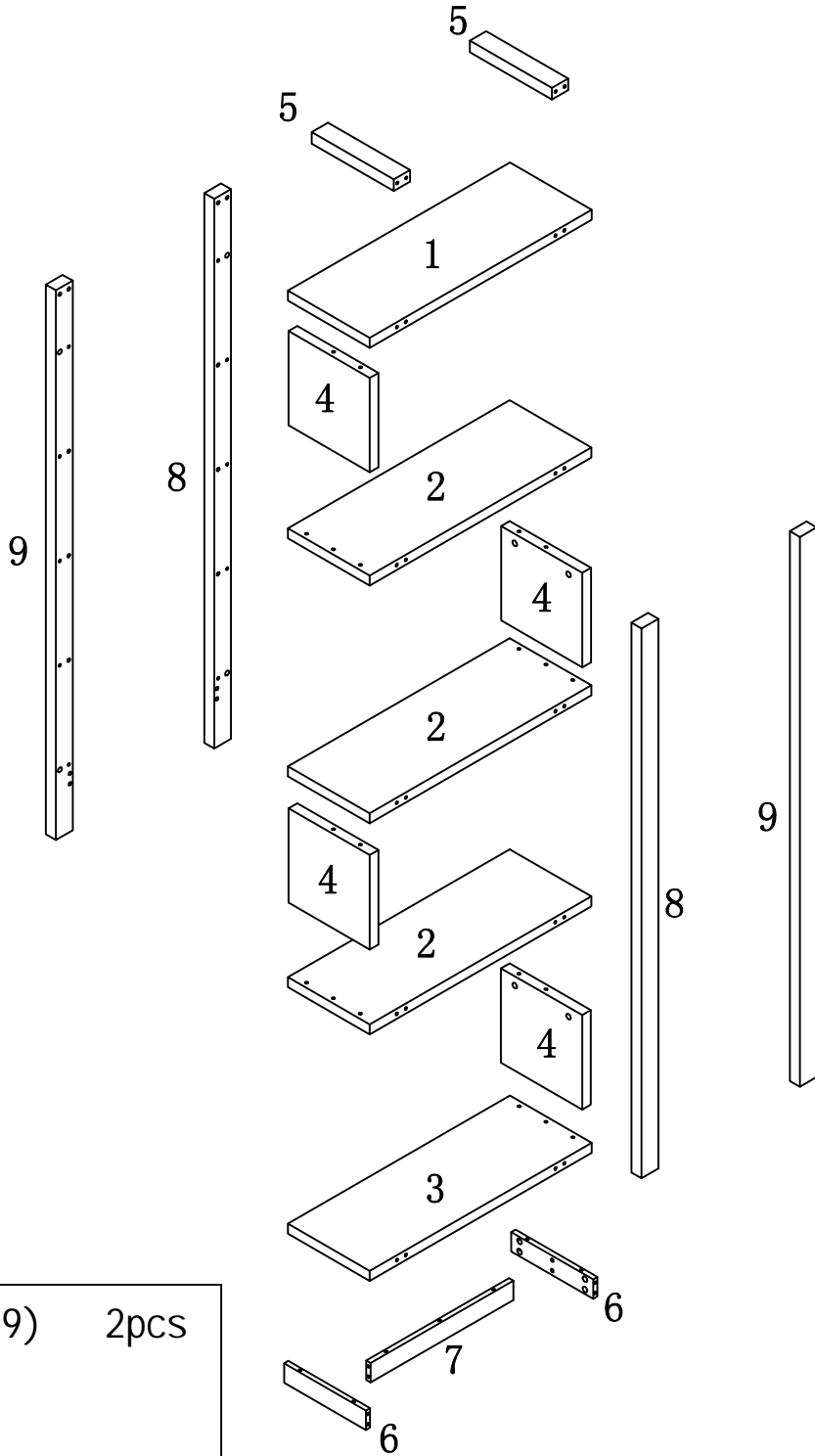
ITEM#: 182341

Need some help?
Scan here for
assembly video.



PARTS IDENTIFICATION

ITEM#: 182341

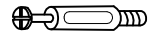


(1)	1pc	(9)	2pcs
(2)	3pcs		
(3)	1pc		
(4)	4pcs		
(5)	2pcs		
(6)	2pcs		
(7)	1pc		
(8)	2pcs		

HARDWARE IDENTIFICATION

ITEM#: 182341

A
B
C
D
E
F
G
H
I
J
K
L
M
N
O
P
Q
R



L29

42pcs



φ 15

42pcs



φ 8 x 25

33pcs



φ 22

44pcs



φ 7 x 58

8pcs



φ 8 x φ 16x2

16pcs



M8 x 70

8pcs



M8

8pcs



M8

8pcs



M13

1pc



φ 45

4pcs



φ 16

4pcs



197×5×1

1pc



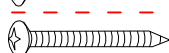
12×12×1

2pcs



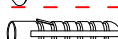
φ4X25

1pc



φ5X40

1pc



φ8X40

1pc

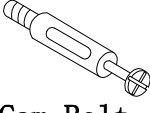
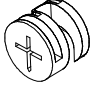
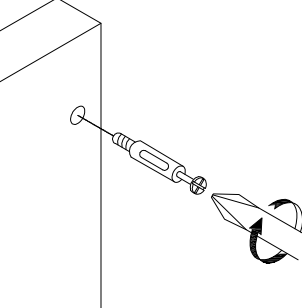
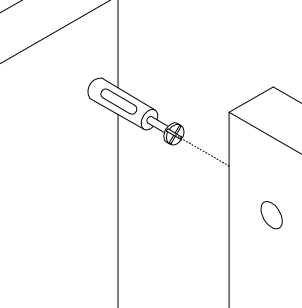
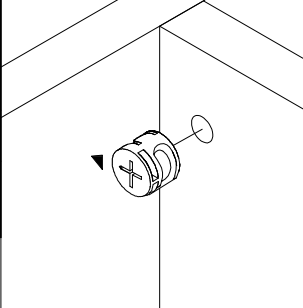
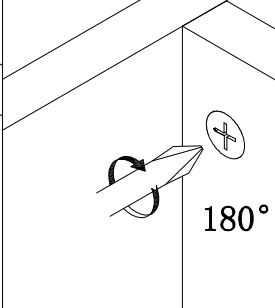


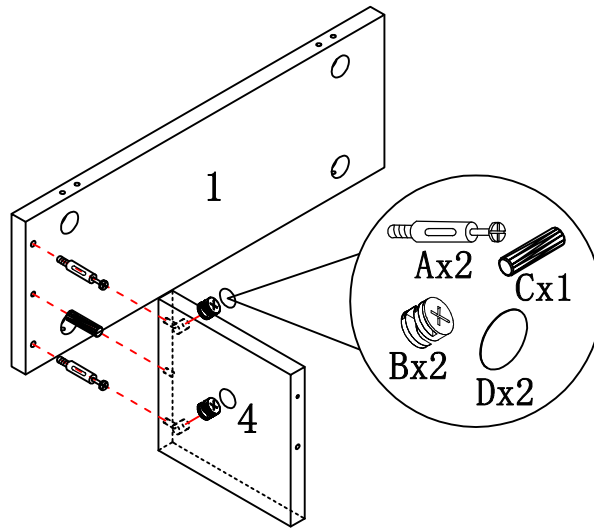
Glue: For securing please apply
to wood dowel first before
inserting into panel

1pc

ASSEMBLY INSTRUCTION

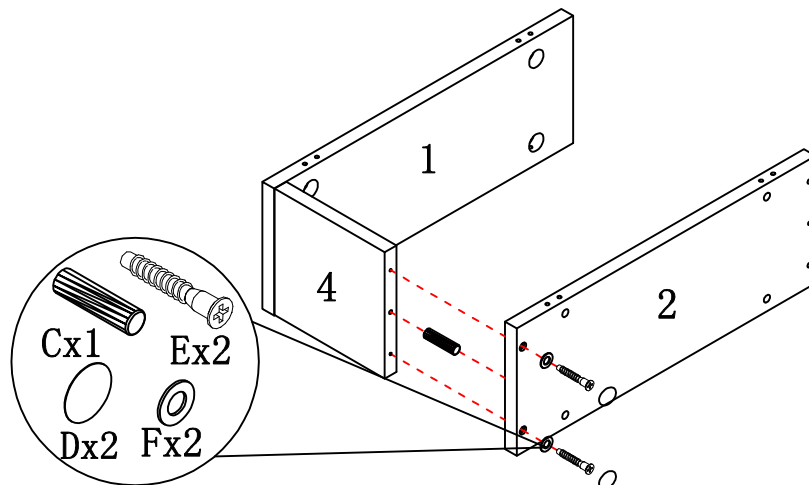
ITEM#: 182341

HOW TO	1	2	3	4
 Cam Bolt  Cam Lock				
	1. Screw Cam Bolt into panel.	2. Insert Cam Bolt into bolt hole of joining panel.	3. Insert Cam Lock. arrow facing bolt.	4. Gently turn Cam Lock clockwise to lock position.



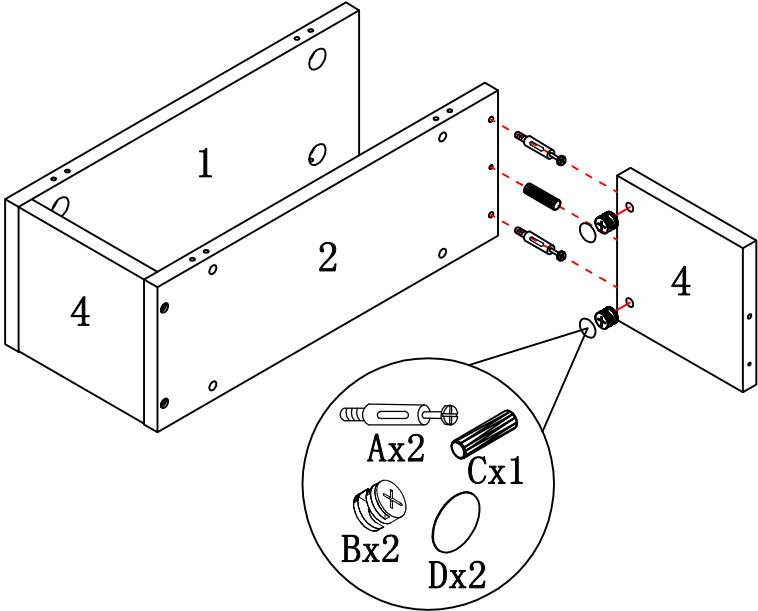
STEP 1

STEP 2



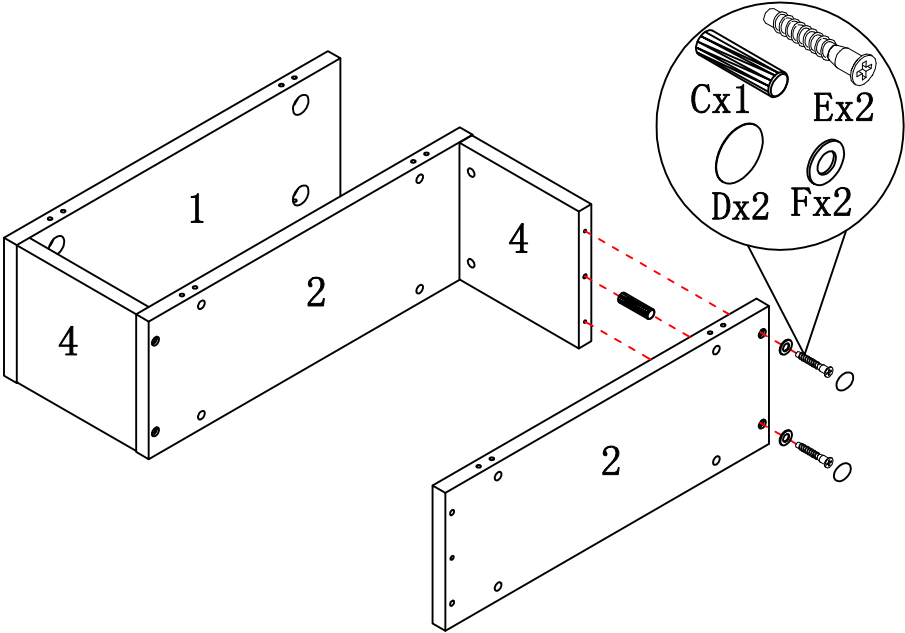
ASSEMBLY INSTRUCTION

ITEM#: 182341



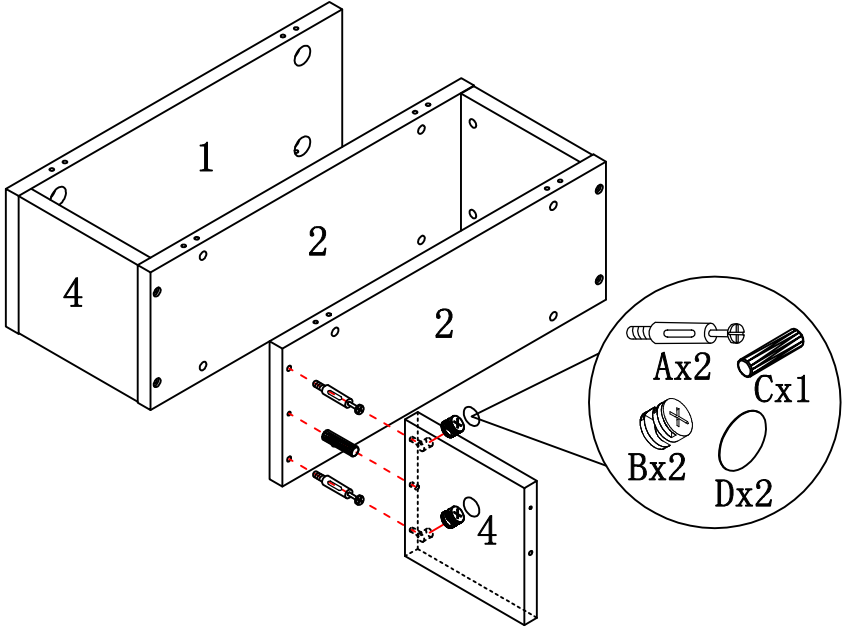
STEP3

STEP4



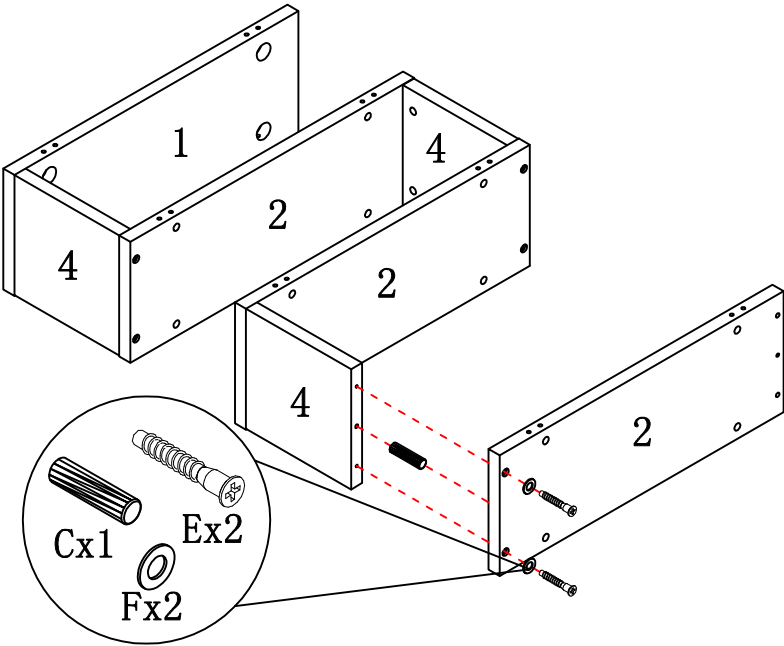
ASSEMBLY INSTRUCTION

ITEM#: 182341



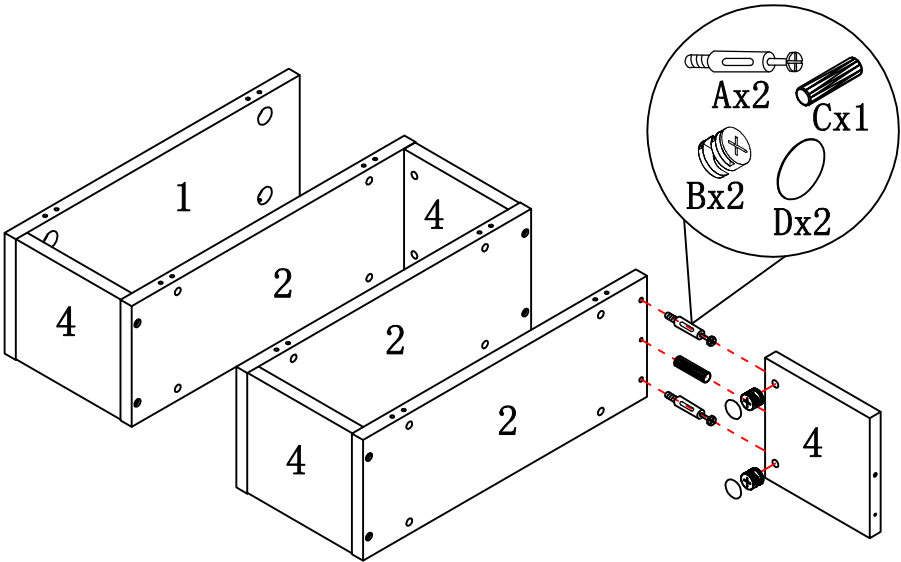
STEP5

STEP6



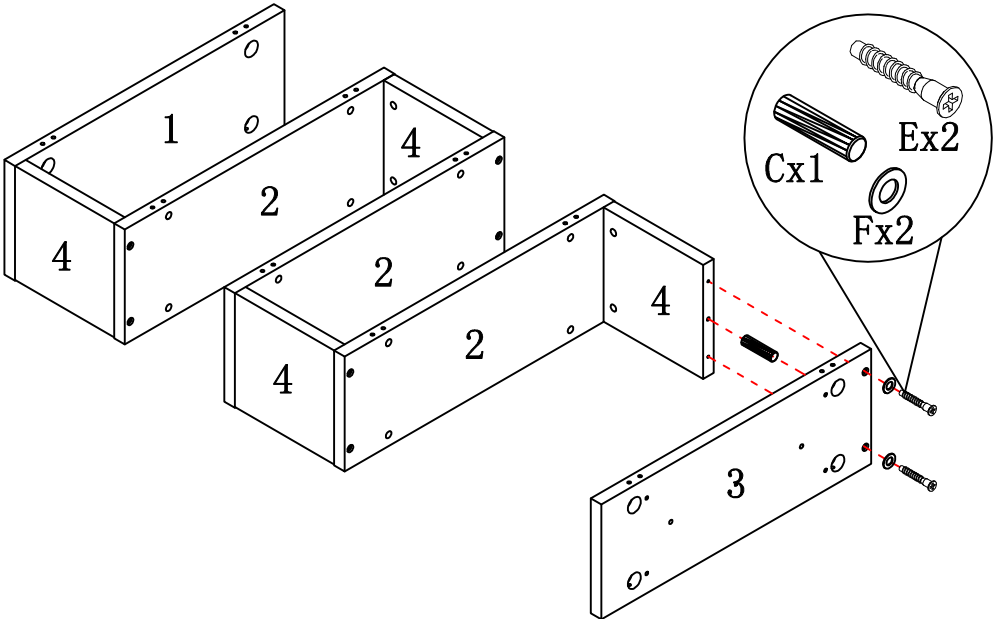
ASSEMBLY INSTRUCTION

ITEM#: 182341



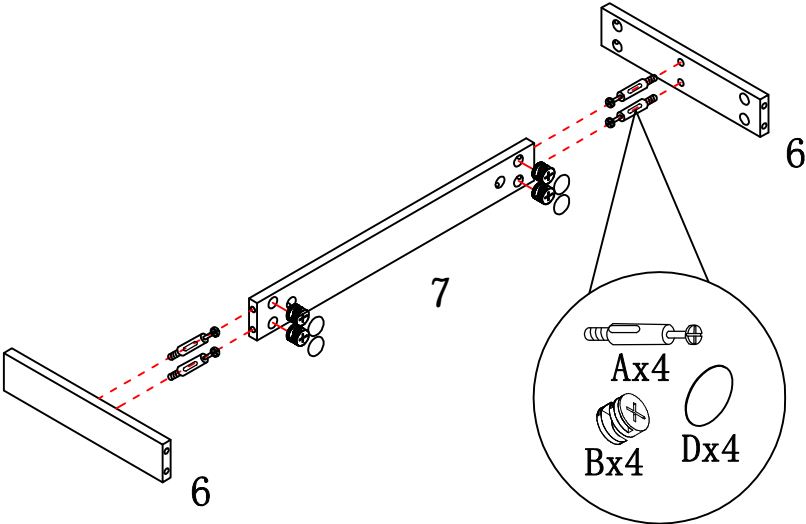
STEP7

STEP8



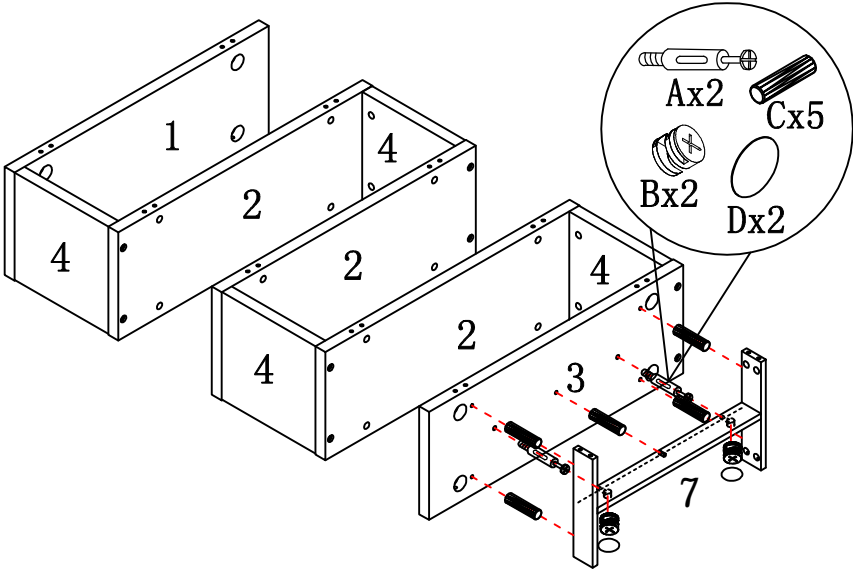
ASSEMBLY INSTRUCTION

ITEM#: 182341



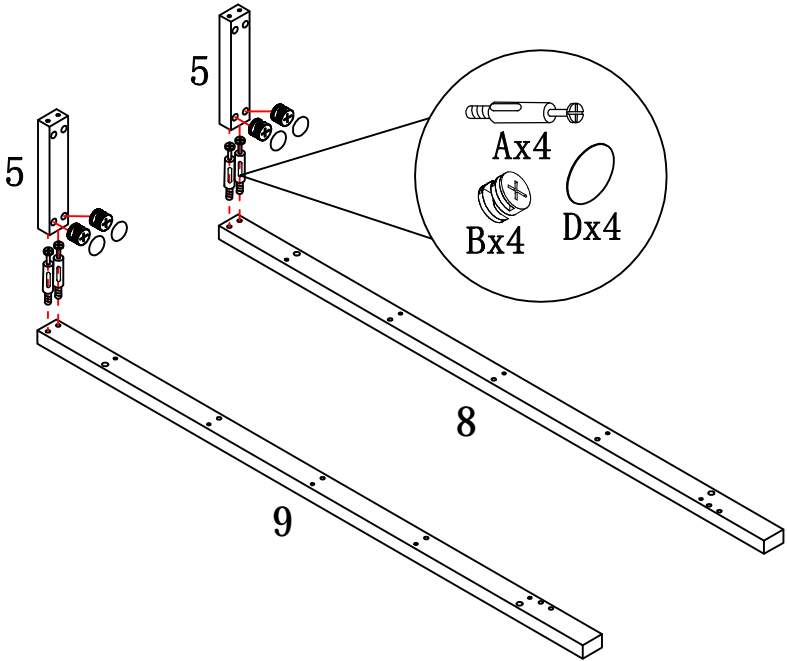
STEP 9

STEP 10



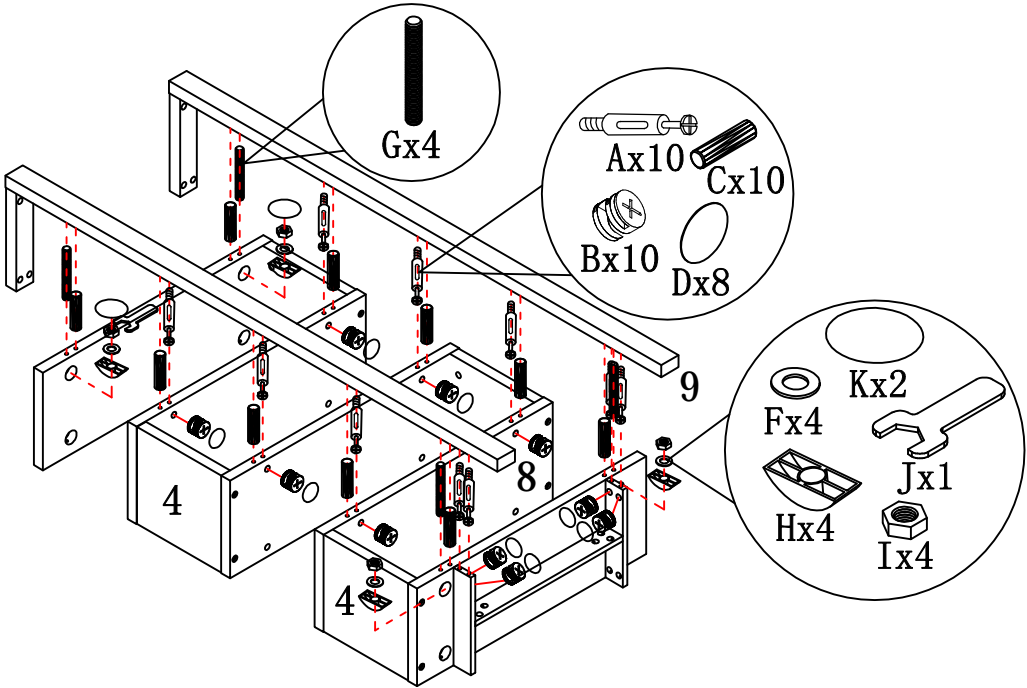
ASSEMBLY INSTRUCTION

ITEM#: 182341



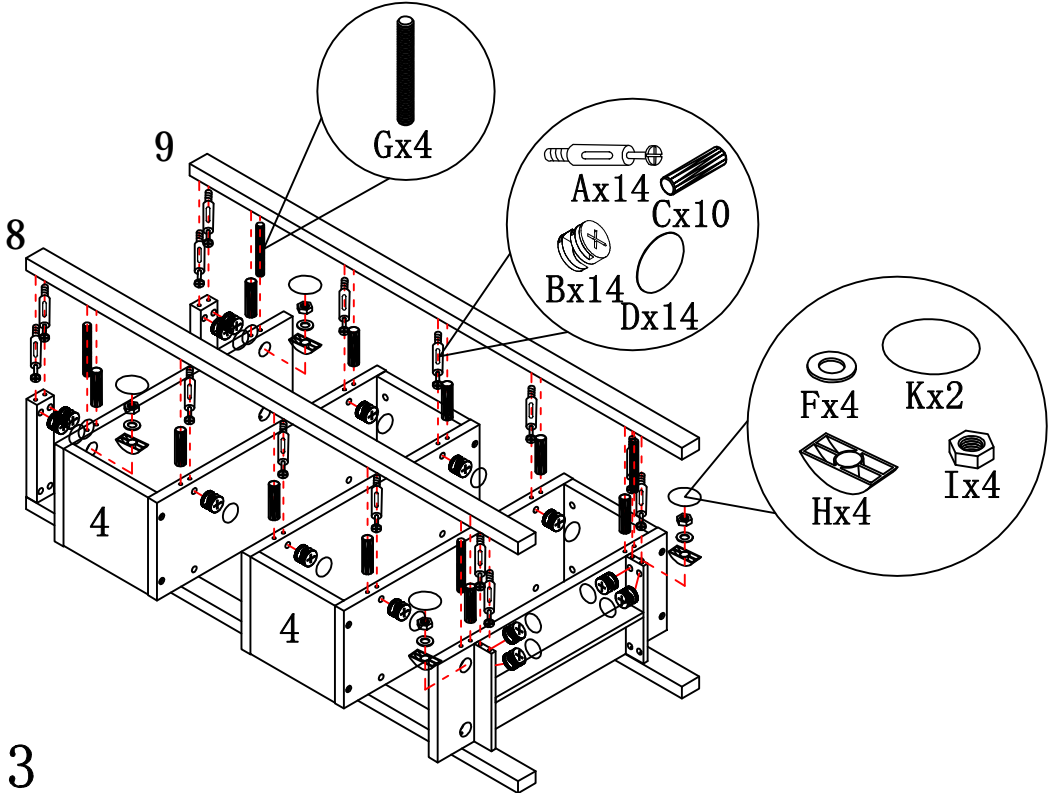
STEP 11

STEP 12



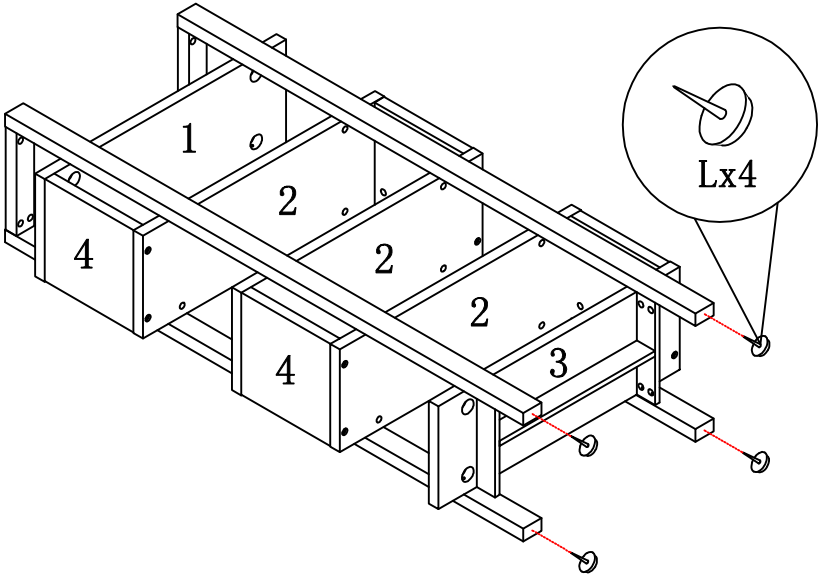
ASSEMBLY INSTRUCTION

ITEM#: 182341



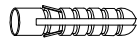
STEP13

STEP14

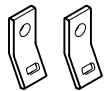


ANTI-TIPPING STRAP INSTRUCTION

HARDWARE (INCLUDED) :



DRYWALL ANCHOR $\phi 8 \times 40$ X 1PC



METAL BRACKETS $12 \times 12 \times 1$ X 2PCS



DRYWALL SCREW $\phi 5 \times 40$ X 1PC

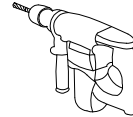


STRAP $197 \times 5 \times 1$ X 1PC



FLATHEAD SCREW $\phi 4 \times 25$ X 1PC

TOOLS NEEDED (NOT INCLUDED) :



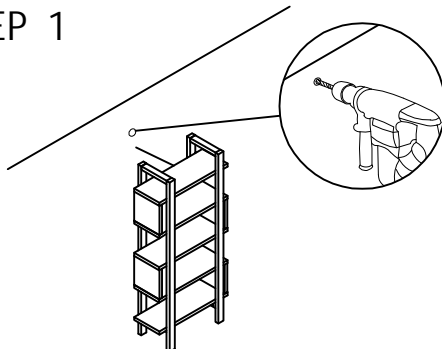
DRILL & DRILL BIT



LIGHT HAMMER

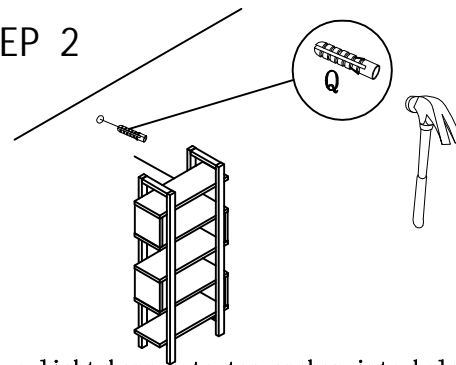
Note: Hardware included only compatible with standard drywalls.

STEP 1



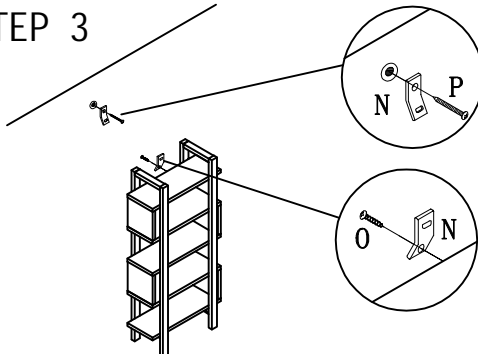
1. Find spot on wall 1" below top of item.
2. Using a drill bit slightly thinner than anchor, drill hole into drywall.

STEP 2



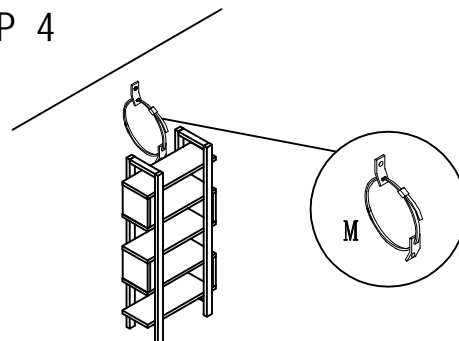
1. Use a light hammer to tap anchor into hole.
2. Anchor should fit snugly. If hole is too small, drill again to increase hole size. Do not force anchor into wall.

STEP 3



1. Insert drywall screw into metal bracket and into drywall anchor.
2. Insert flathead screw into second metal bracket and into back of item along top edge.

STEP 4



1. Insert strap thru bracket attached to wall, then thru bracket on item, and into head of strap.
 2. pull lightly til strap stops.
- Assembly is complete.