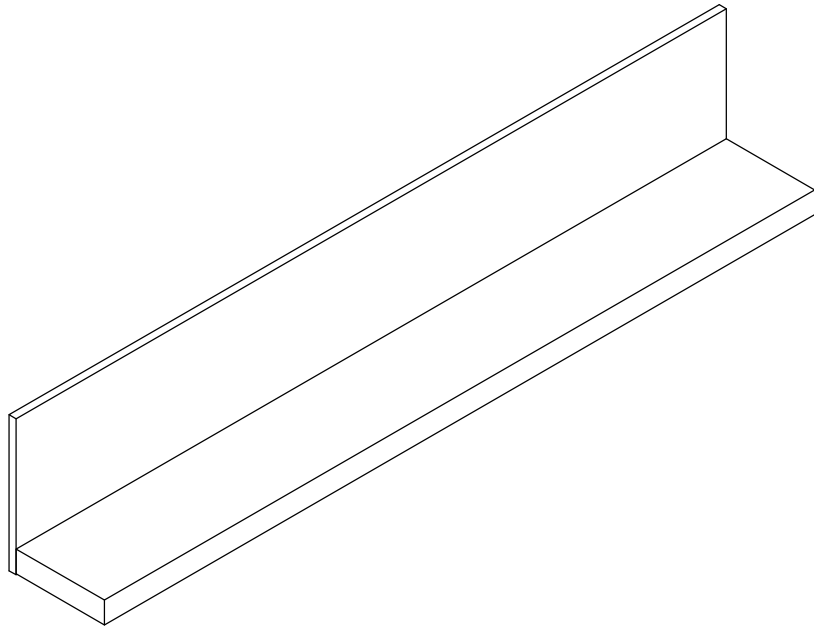


# ASSEMBLY INSTRUCTION

---

ITEM#: 182344BR



# ASSEMBLY INSTRUCTION

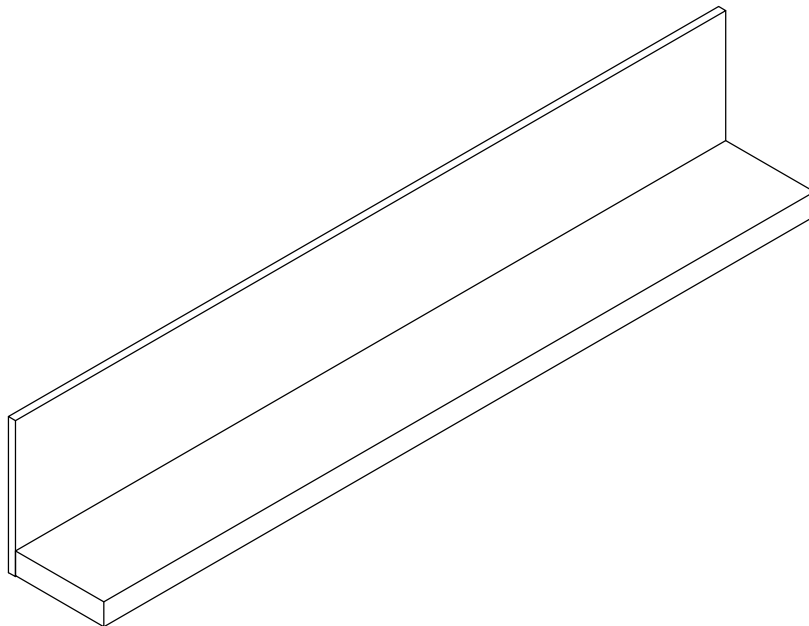
## **PLEASE READ BEFORE ASSEMBLING!**

Tip #1: Make sure you've taken all the pieces and hardware out of its packaging before discarding the box.

Tip #2: Using page 2 and/or page 3 of instruction manual make sure all pieces and hardware are accounted for.

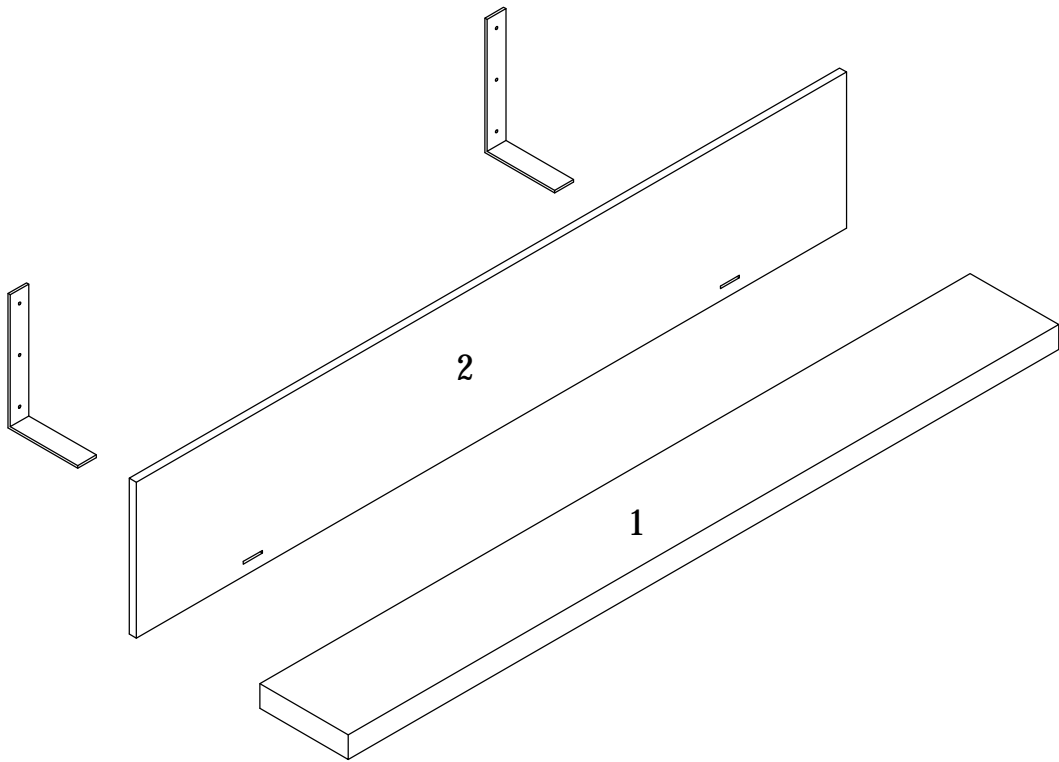
Tip #3: Read manual before assembling, it helps!

**ITEM#: 182344BR**



# PARTS IDENTIFICATION

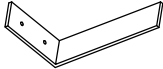

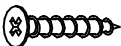
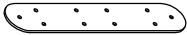
ITEM#: 182344BR



(1)	1pc
(2)	1pc

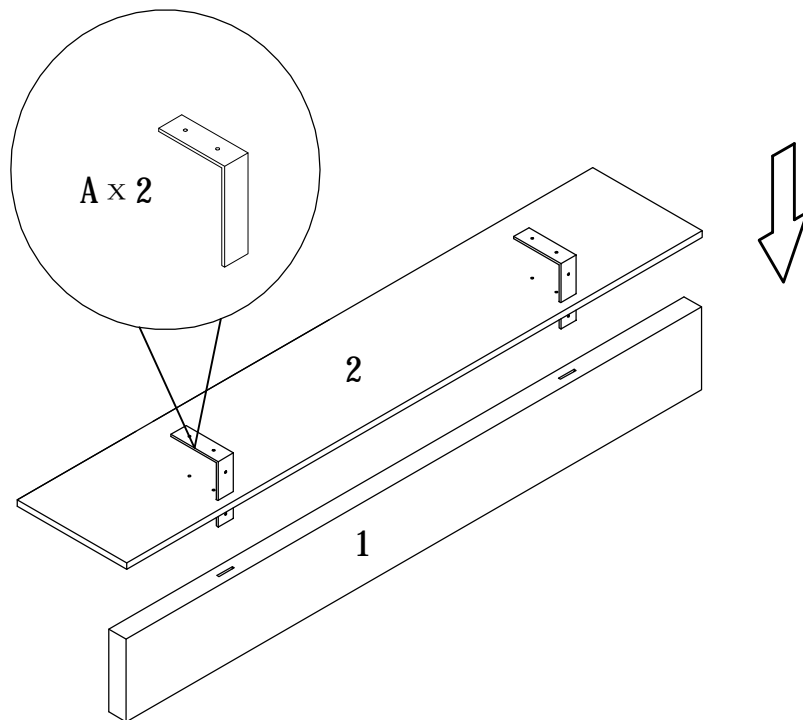
# HARDWARE IDENTIFICATION

ITEM#: 182344BR

A		150 × 100 × 30	2pcs
B		φ 4 × 16	20pcs
C		φ 4 × 35	4pcs
D			2pcs

# ASSEMBLY INSTRUCTION

ITEM#: 182344BR

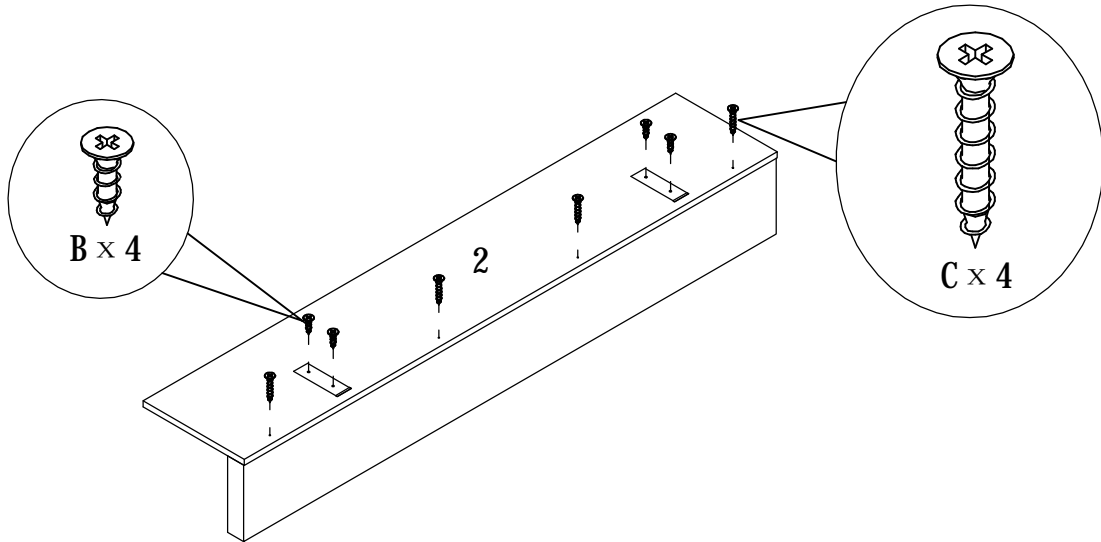


STEP1

PAGE: 3 OF 4

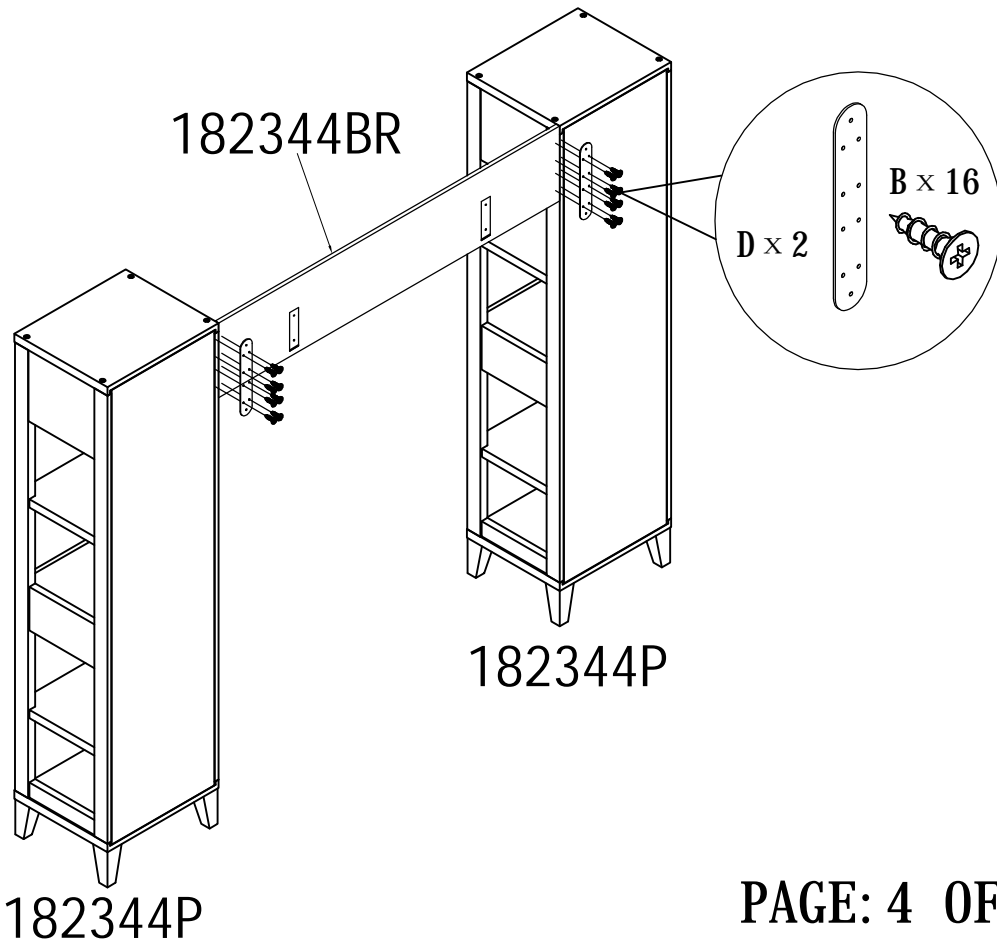
# ASSEMBLY INSTRUCTION

ITEM#: 182344BR



STEP2

STEP3



PAGE: 4 OF 4