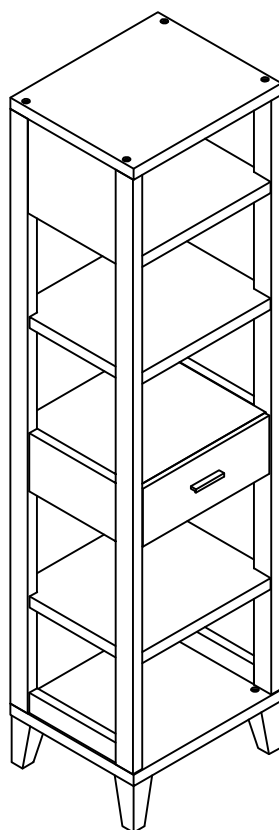


ASSEMBLY INSTRUCTION

ITEM#: 182344P



ASSEMBLY INSTRUCTION

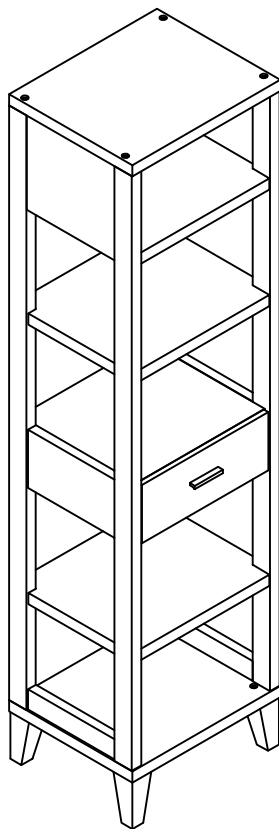
PLEASE READ BEFORE ASSEMBLING!

Tip #1: Make sure you've taken all the pieces and hardware out of its packaging before discarding the box.

Tip #2: Using page 2 and/or page 3 of instruction manual make sure all pieces and hardware are accounted for.

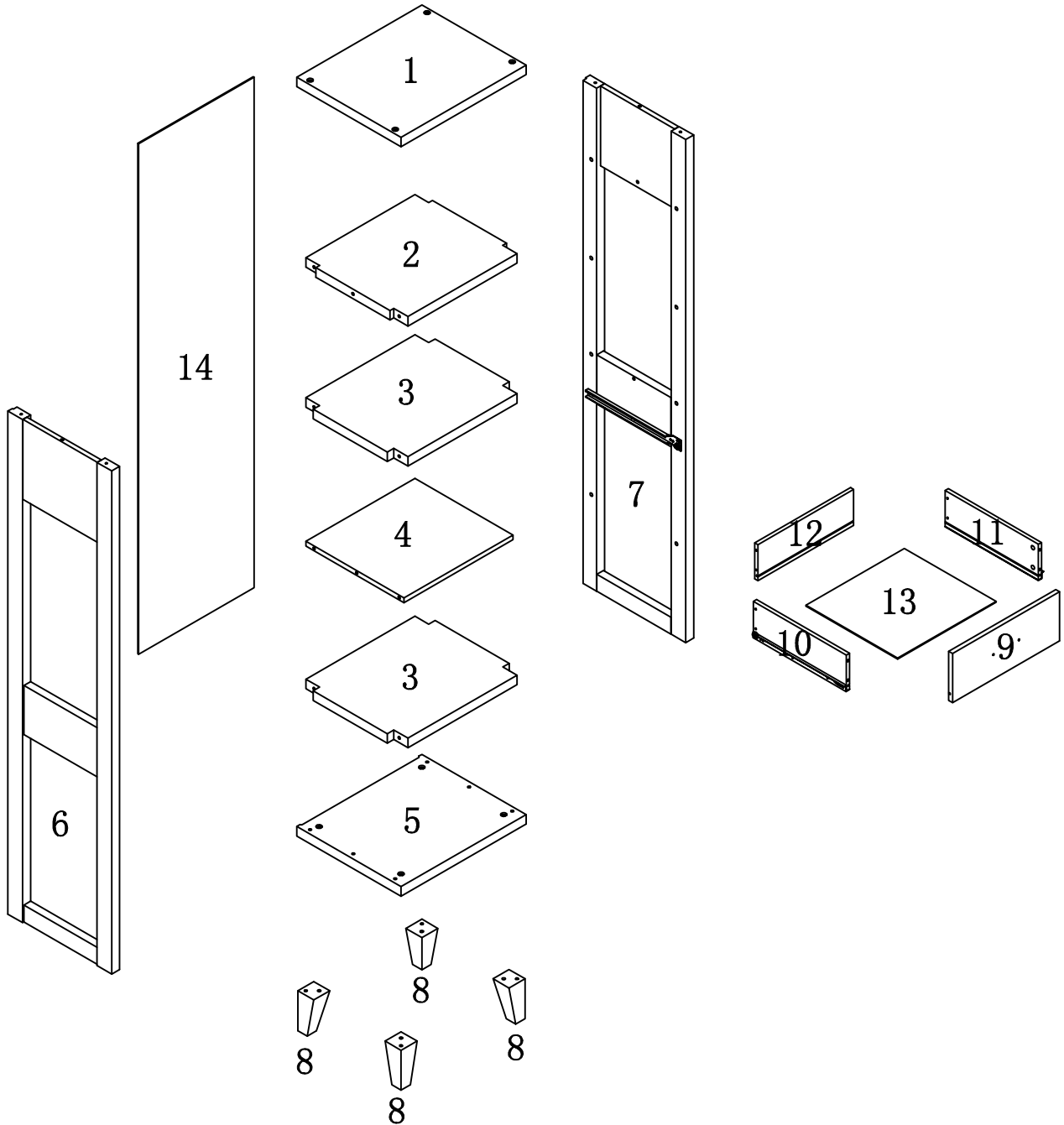
Tip #3: Read manual before assembling, it helps!

ITEM#: 182344P



PARTS IDENTIFICATION




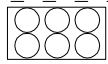
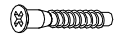





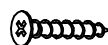
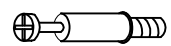

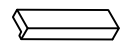


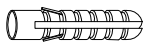

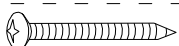
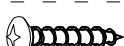

ITEM#: 182344P



(1)	1pc	(7)	1pc	(13)	1pc
(2)	1pc	(8)	4pcs	(14)	1pc
(3)	2pcs	(9)	1pc		
(4)	1pc	(10)	1pc		
(5)	1pc	(11)	1pc		
(6)	1pc	(12)	1pc		

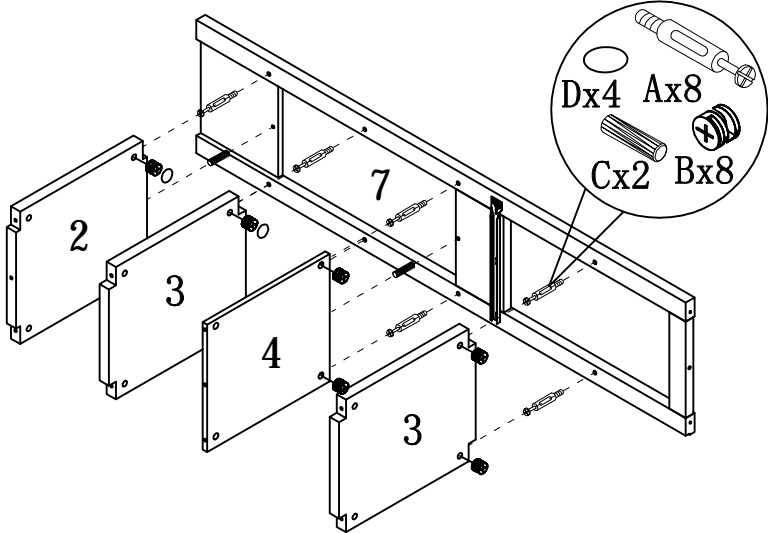
HARDWARE IDENTIFICATION

ITEM#: 182344P

A		L29	16pcs
B		φ15	16pcs
C		φ8x25	12pcs
D		φ22	16pcs
E		φ7x58	8pcs
F		φ8xφ16x2	12pcs
G		M8x40	4pcs
H			1pc
I		φ16	4pcs
J			45pcs
K		φ4x30	4pcs
L		L20	4pcs
M		φ12	4pcs
N		96#	1pc
O		φ4x22	2pcs
P		197x5x1	1pc
Q		φ8x40	1pc
R		12x12x1	2pc
S		φ5x40	1pc
T		φ4x25	1pc
U		Glue: For securing please apply to wood dowel first before inserting into panel	1pc

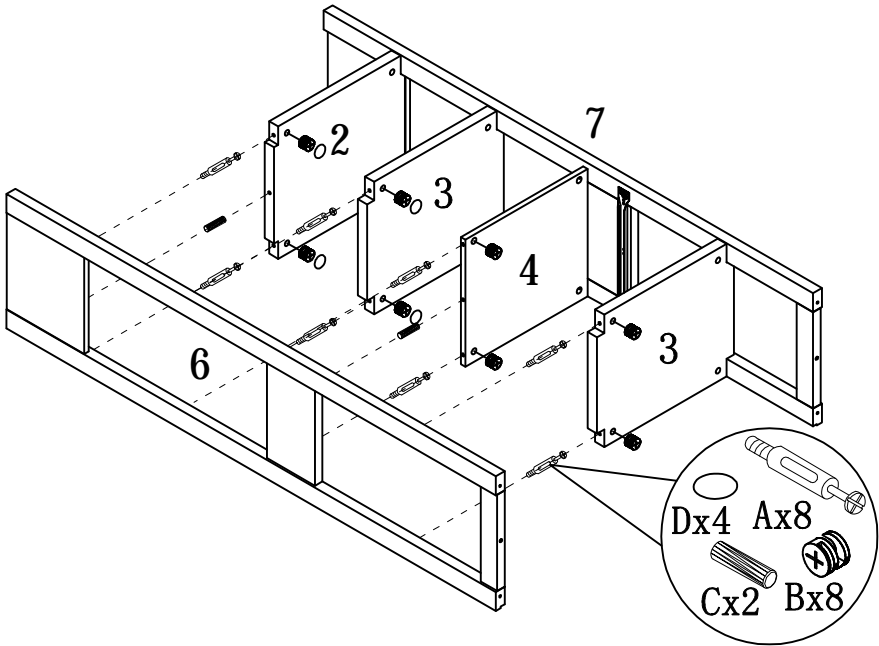
ASSEMBLY INSTRUCTION

ITEM#: 182344P



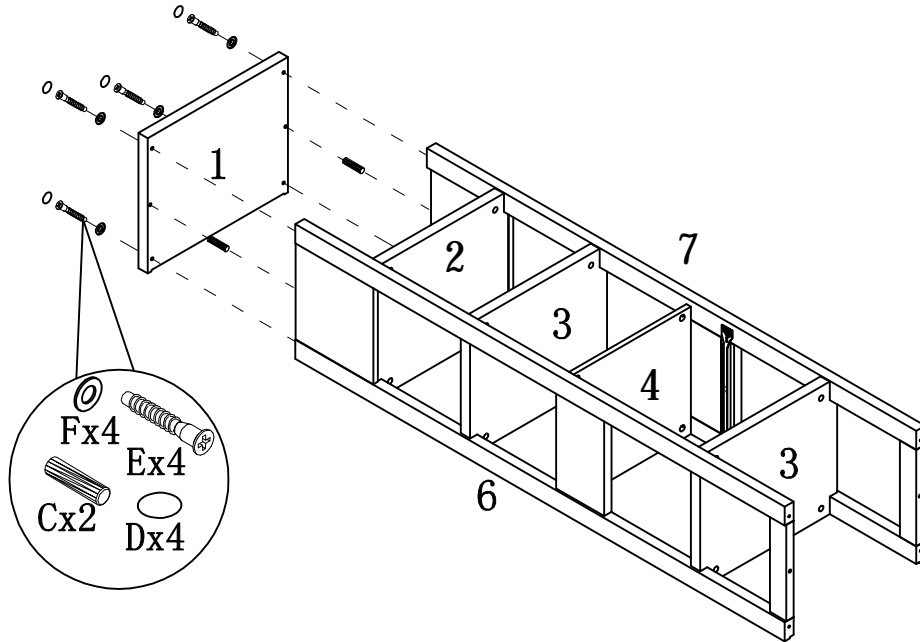
STEP1

STEP2



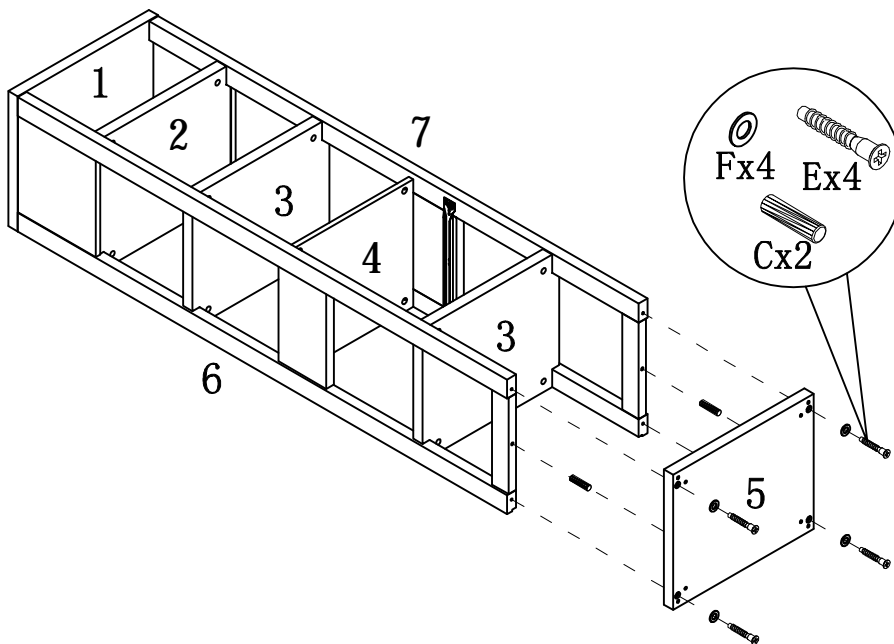
ASSEMBLY INSTRUCTION

ITEM#: 182344P



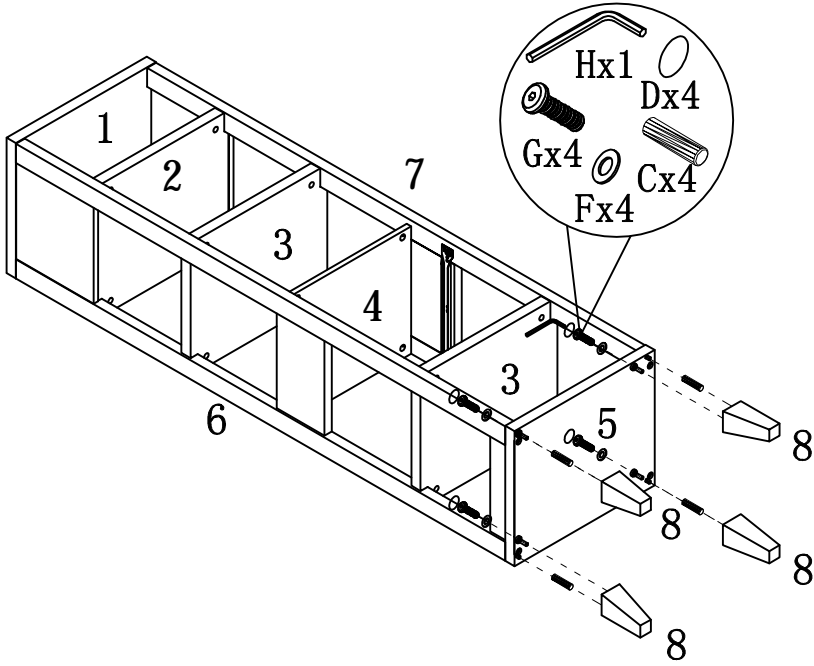
STEP3

STEP4



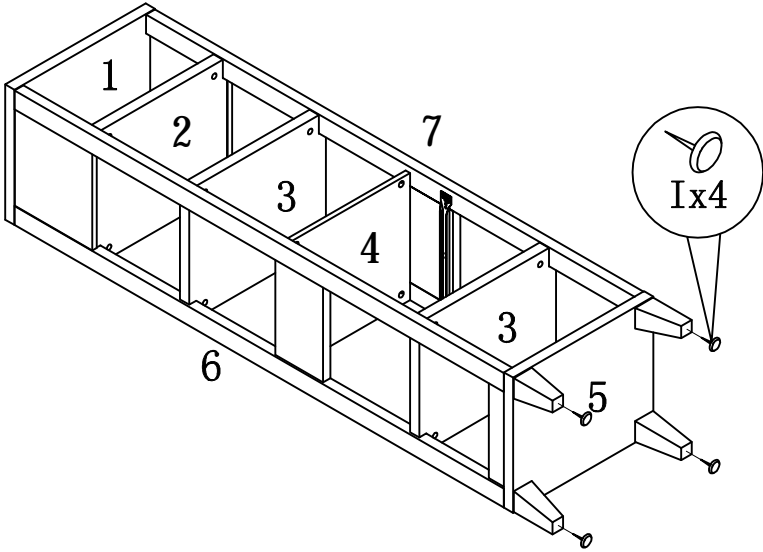
ASSEMBLY INSTRUCTION

ITEM#: 182344P



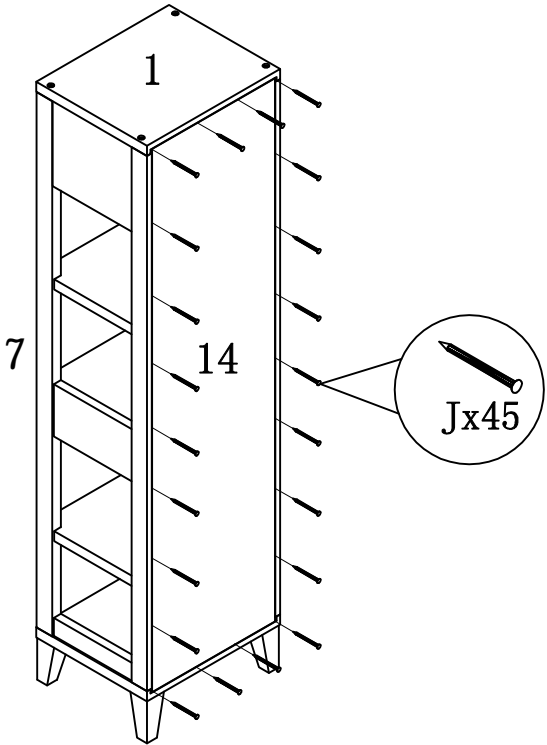
STEP5

STEP6



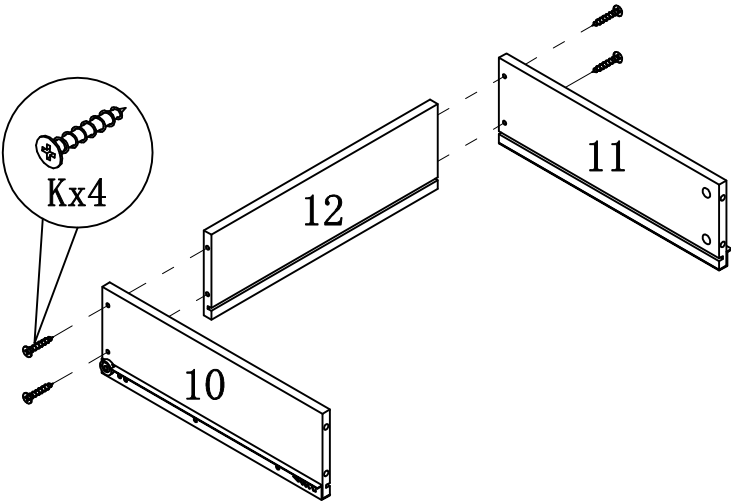
ASSEMBLY INSTRUCTION

ITEM#: 182344P



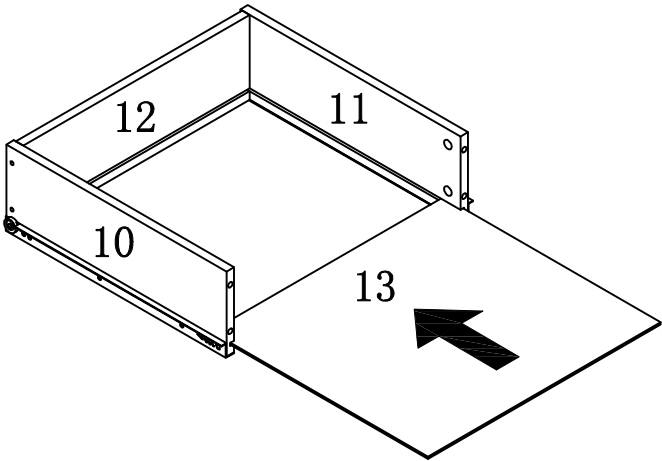
STEP7

STEP8



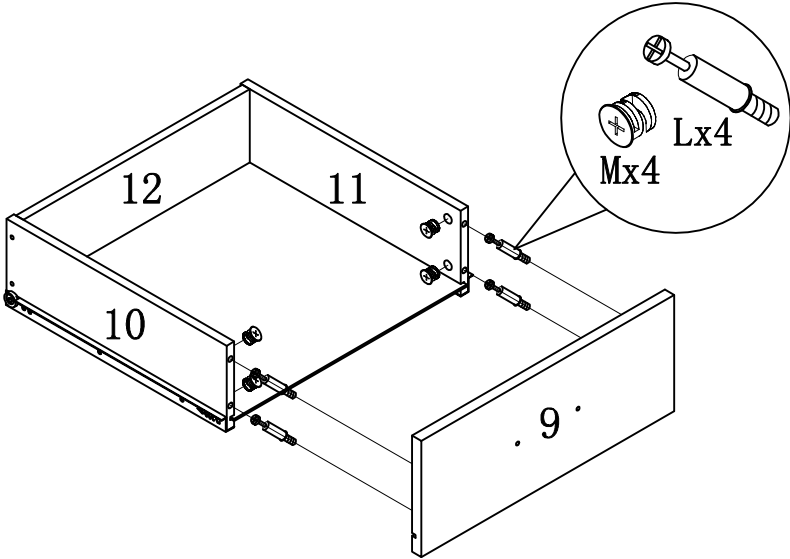
ASSEMBLY INSTRUCTION

ITEM#: 182344P



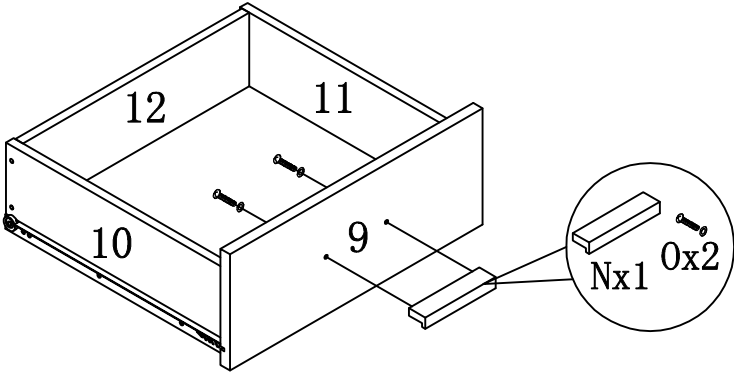
STEP9

STEP10



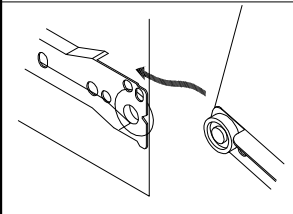
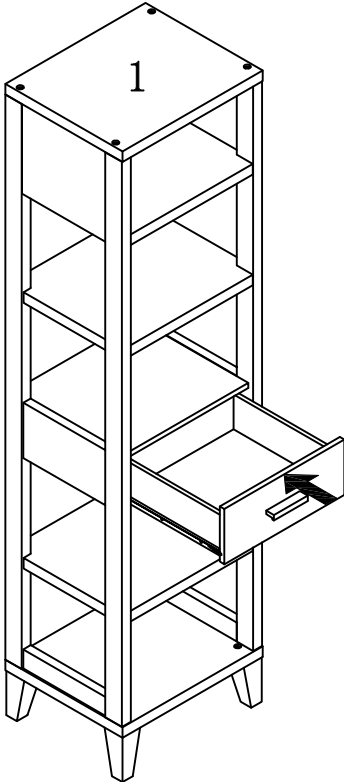
ASSEMBLY INSTRUCTION

ITEM#: 182344P



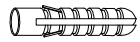
STEP11

STEP12

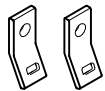


ANTI-TIPPING STRAP INSTRUCTION

HARDWARE (INCLUDED):



DRYWALL ANCHOR $\phi 8 \times 40$ X 1PC



METAL BRACKETS $12 \times 12 \times 1$ X 2PCS



DRYWALL SCREW $\phi 5 \times 40$ X 1PC

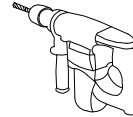


STRAP $197 \times 5 \times 1$ X 1PC



FLATHEAD SCREW $\phi 4 \times 25$ X 1PC

TOOLS NEEDED (NOT INCLUDED):



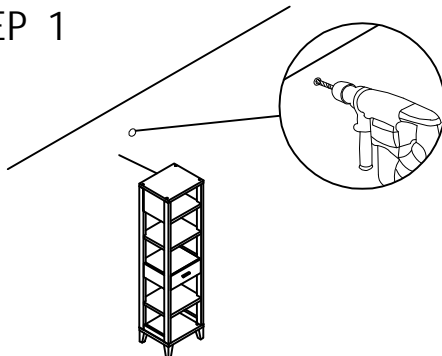
DRILL & DRILL BIT



LIGHT HAMMER

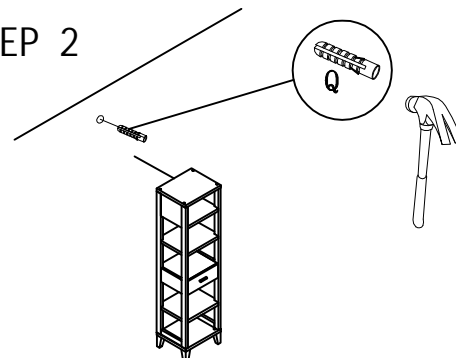
Note: Hardware included only compatible with standard drywalls.

STEP 1



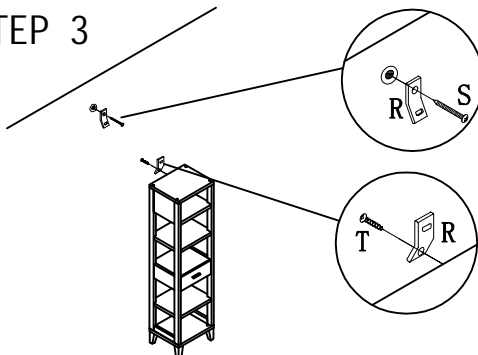
1. Find spot on wall 1" below top of item.
2. Using a drill bit slightly thinner than anchor, drill hole into drywall.

STEP 2



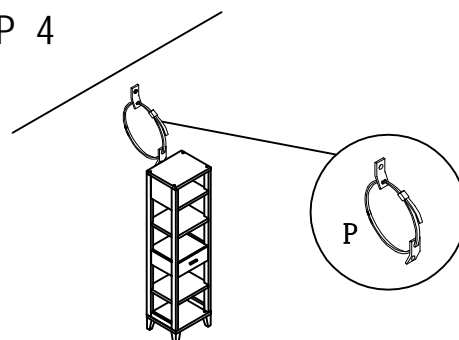
1. Use a light hammer to tap anchor into hole.
2. Anchor should fit snugly. If hole is too small, drill again to increase hole size. Do not force anchor into wall.

STEP 3



1. Insert drywall screw into metal bracket and into drywall anchor.
2. Insert flathead screw into second metal bracket and into back of item along top edge.

STEP 4



1. Insert strap thru bracket attached to wall, then thru bracket on item, and into head of strap.
 2. pull lightly til strap stops.
- Assembly is complete.