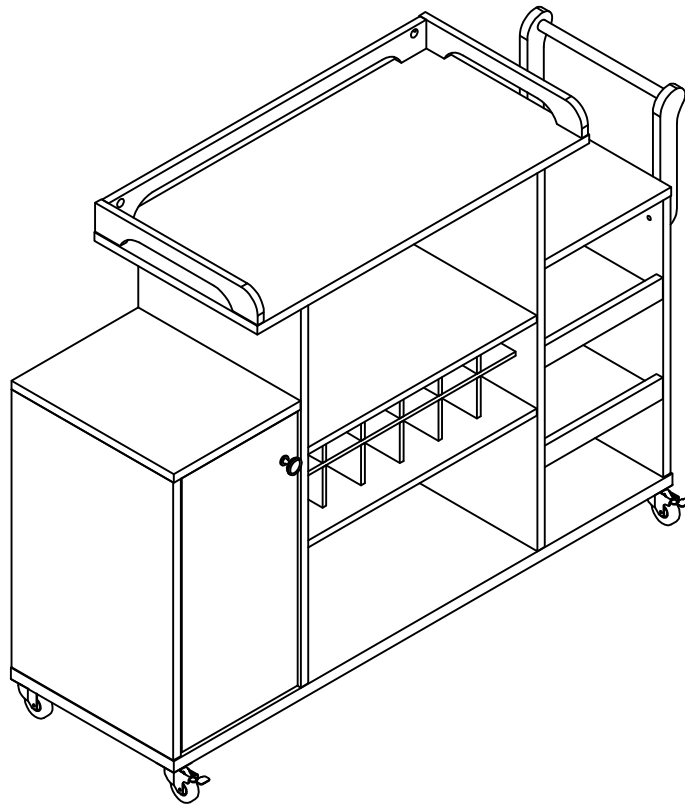


ASSEMBLY INSTRUCTION

ITEM#: 192467



ASSEMBLY INSTRUCTION

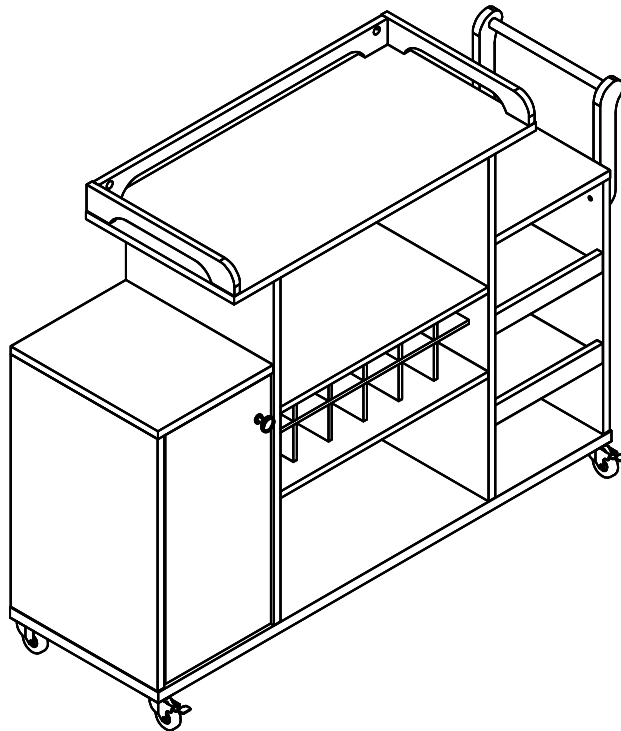
PLEASE READ BEFORE ASSEMBLING!

Tip #1: Make sure you've taken all the pieces and hardware out of its packaging before discarding the box. Assembly on top of flattened box/blanket is recommended.

Tip #2: Using page 2 and/or page 3 of instruction manual make sure all pieces and hardware are accounted for.

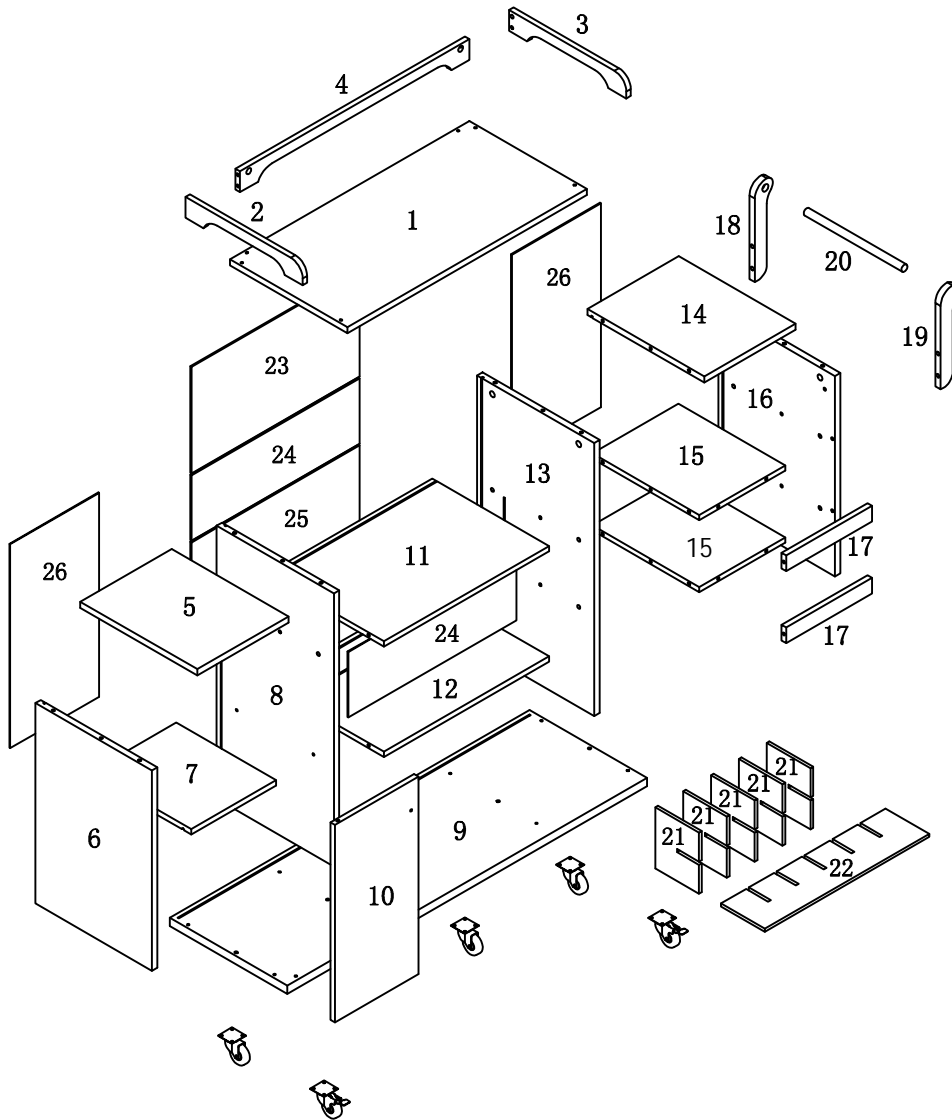
Tip #3: Note position of all holes on each panel during assembly.

ITEM#: 192467



PARTS IDENTIFICATION

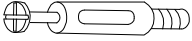



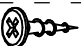
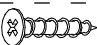
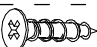
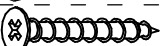
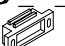


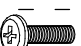
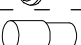

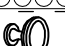



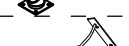

ITEM#: 192467



(1)	1pc	(8)	1pc	(15)	2pcs	(22)	1pc
(2)	1pc	(9)	1pc	(16)	1pc	(23)	1pc
(3)	1pc	(10)	1pc	(17)	2pcs	(24)	2pcs
(4)	1pc	(11)	1pc	(18)	1pc	(25)	1pc
(5)	1pc	(12)	1pc	(19)	1pc	(26)	2pcs
(6)	1pc	(13)	1pc	(20)	1pc		
(7)	1pc	(14)	1pc	(21)	5pcs		

HARDWARE IDENTIFICATION

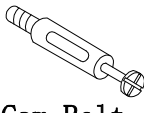

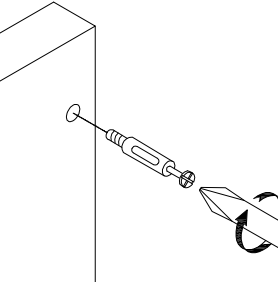
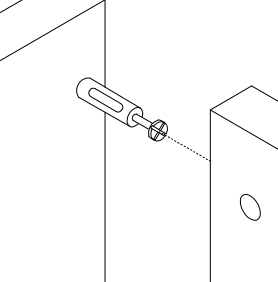
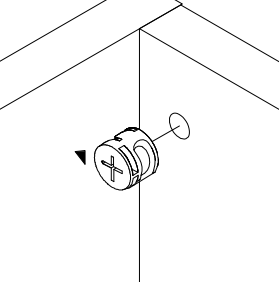
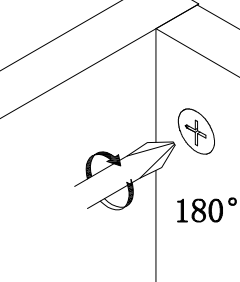
ITEM#: 192467

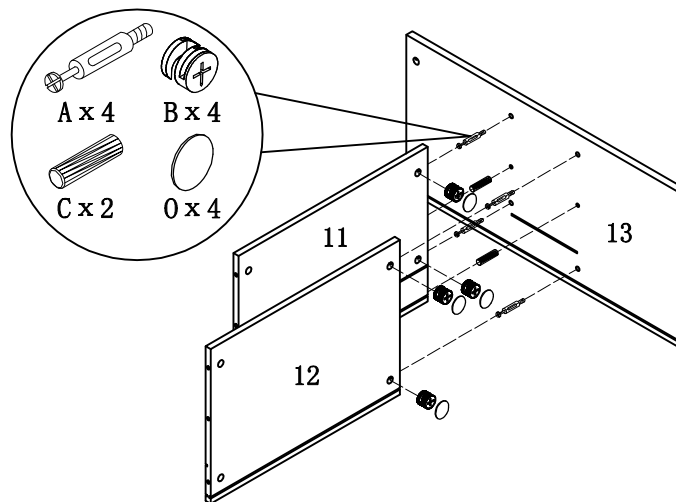
A		L29	36pcs
B		ø15	36pcs
C		ø8x25	24pcs
D		ø8x25 (BK)	2pcs
E		ø3x14	2pcs
F		ø3x16	2pcs
G		ø4x16	29pcs
H		ø4x45	14pcs
I			1pc
J			1pc
K			1pc
L		M6x25	2pcs
M		ø5	4pcs
O		ø22	38pcs
P			1pc
Q		M4x20	1pc
R			2pcs
S			3pcs
T		L340	3pcs
U			1pc

Glue: For securing please apply to wood dowel first before inserting into panel

ASSEMBLY INSTRUCTION

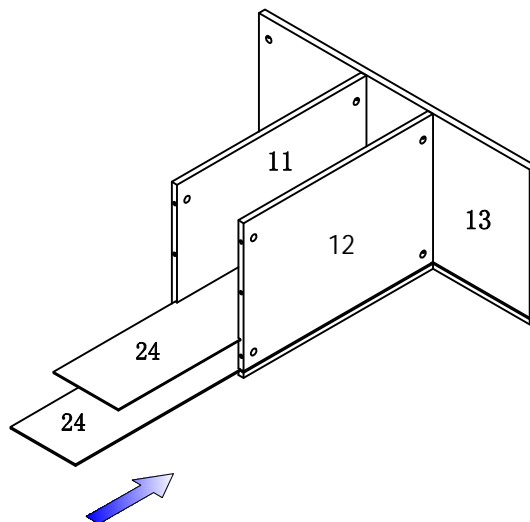
ITEM#: 192467

HOW TO	1	2	3	4
 <p>Cam Bolt</p>  <p>Cam Lock</p>				 <p>180°</p>
	<p>1. Screw Cam Bolt into panel.</p>	<p>2. Insert Cam Bolt into bolt hole of joining panel.</p>	<p>3. Insert Cam Lock. arrow facing bolt.</p>	<p>4. Gently turn Cam Lock clockwise to lock position.</p>



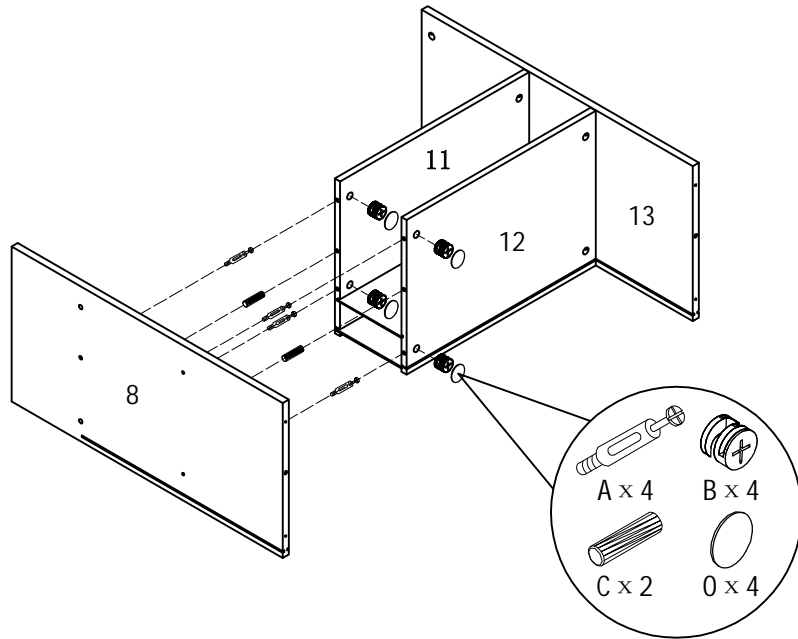
STEP1

STEP2



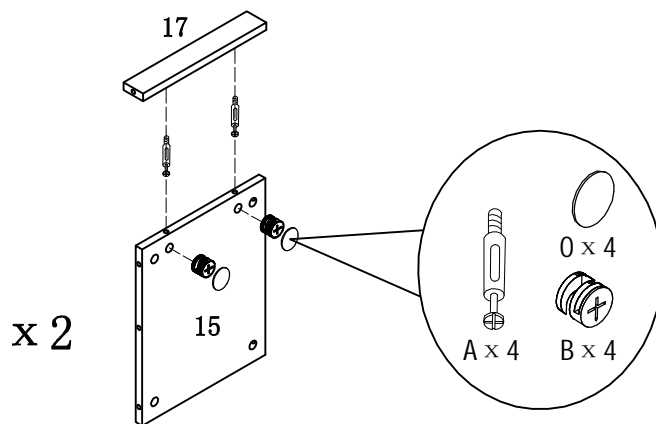
ASSEMBLY INSTRUCTION

ITEM#: 192467



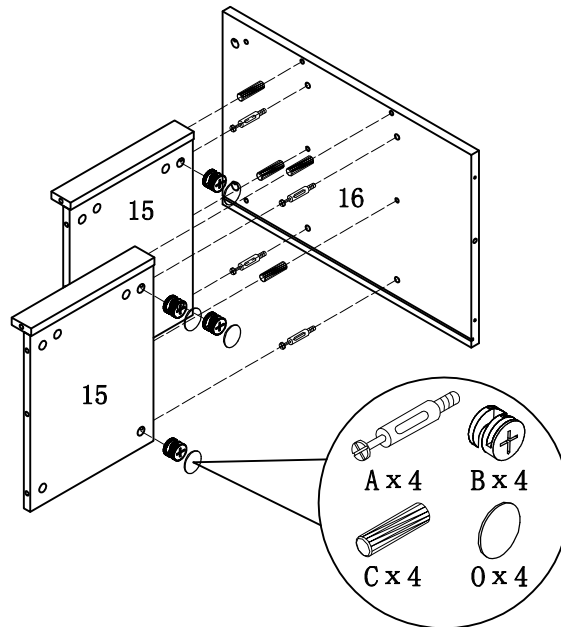
STEP3

STEP4



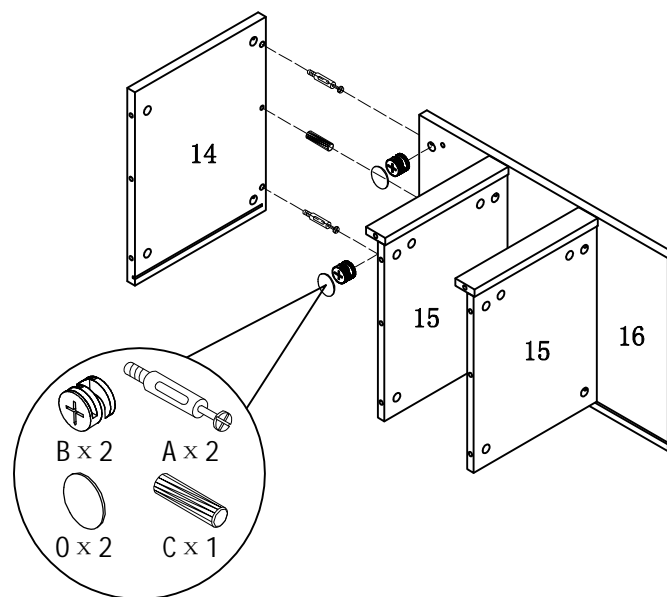
ASSEMBLY INSTRUCTION

ITEM#: 192467



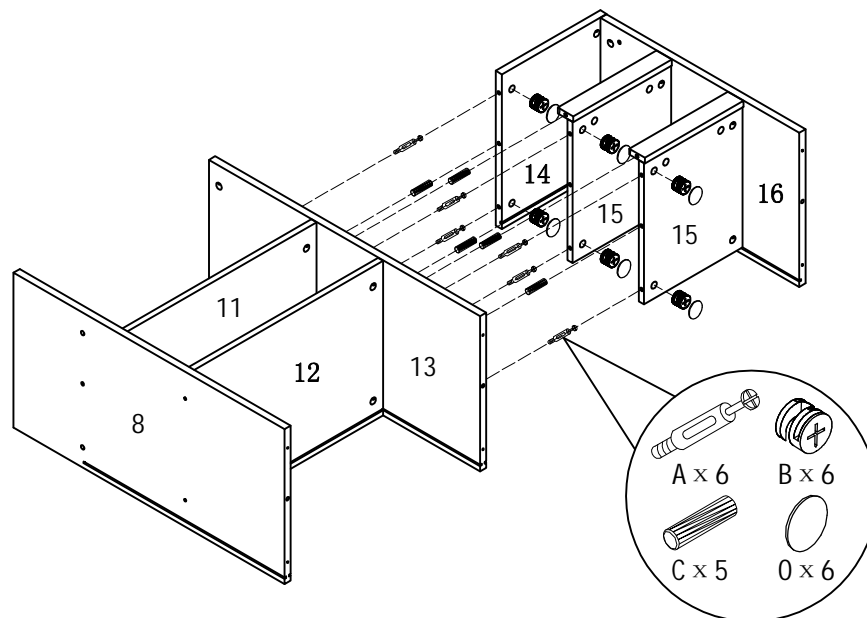
STEP5

STEP6



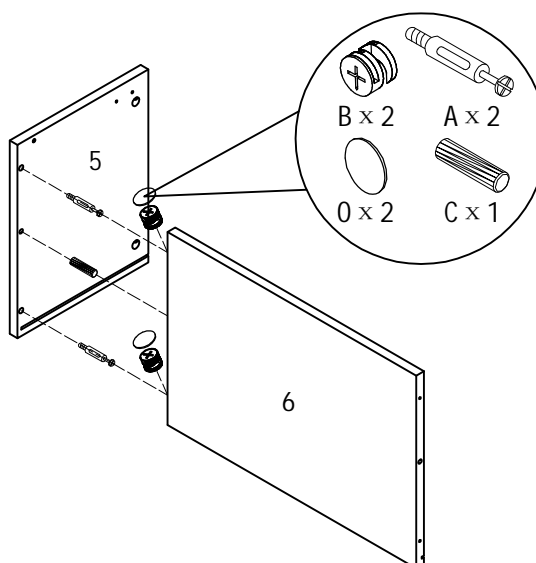
ASSEMBLY INSTRUCTION

ITEM#: 192467



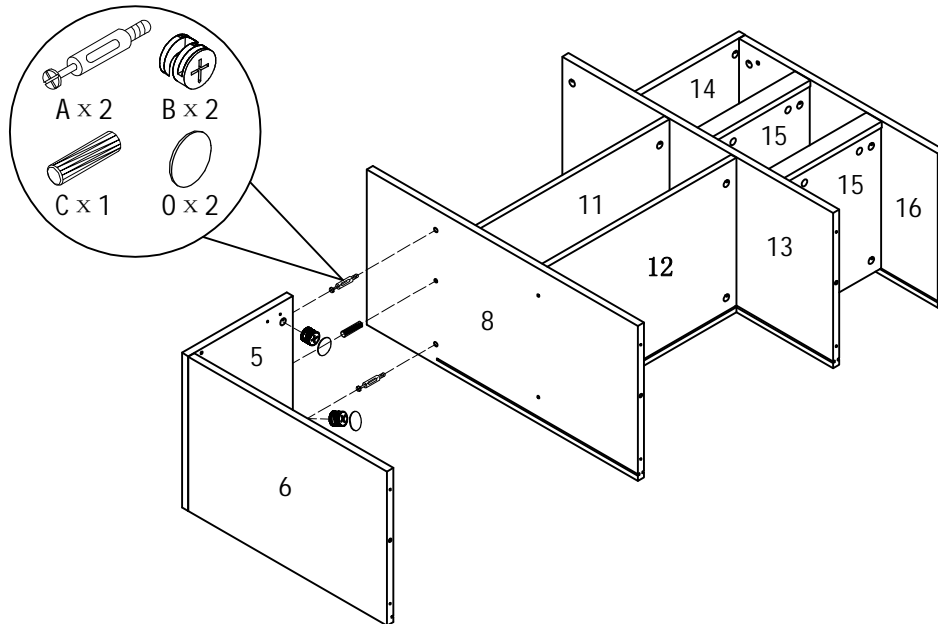
STEP7

STEP8



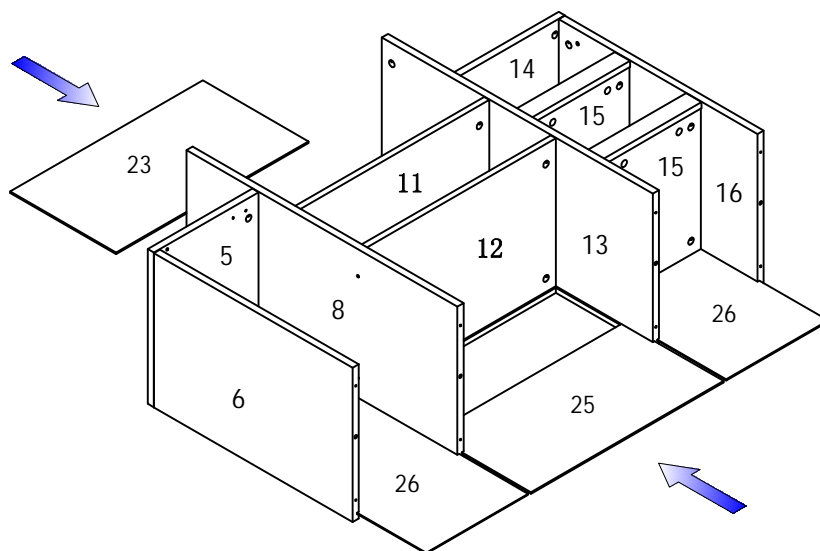
ASSEMBLY INSTRUCTION

ITEM#: 192467



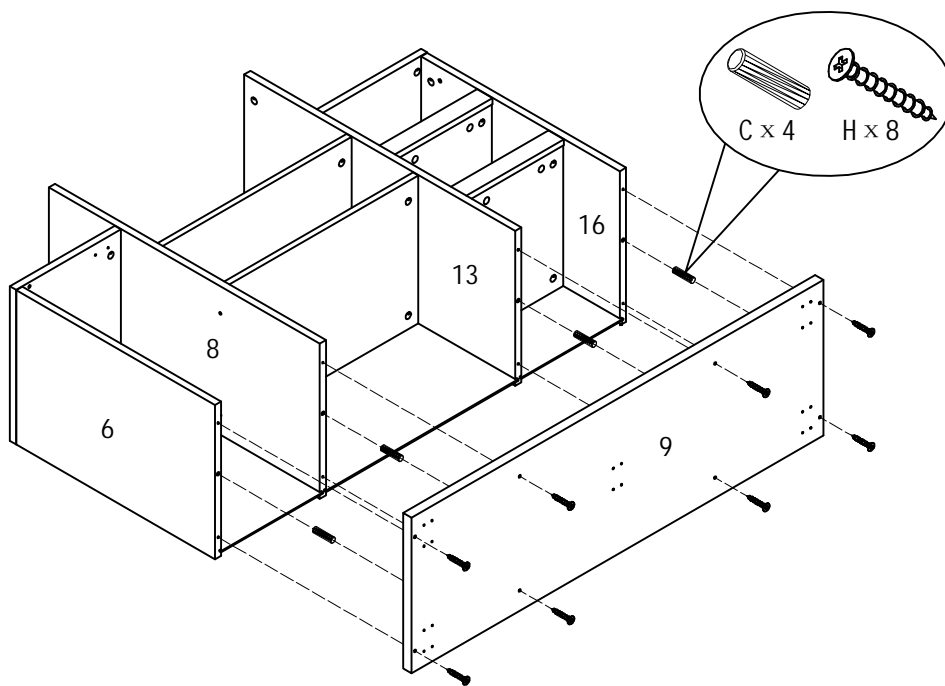
STEP9

STEP10



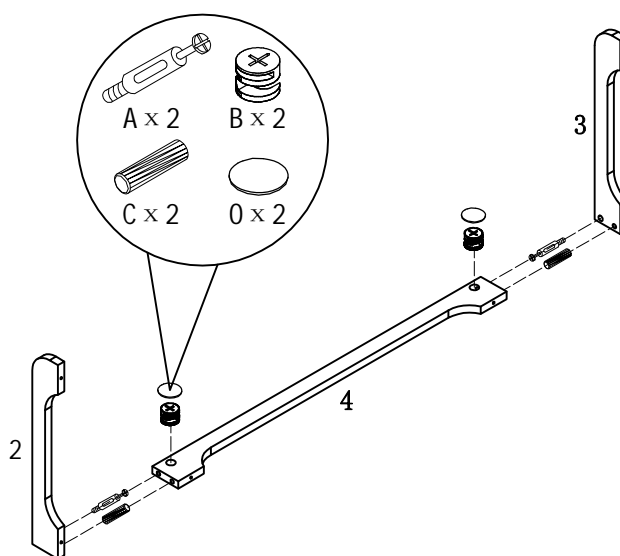
ASSEMBLY INSTRUCTION

ITEM#: 192467



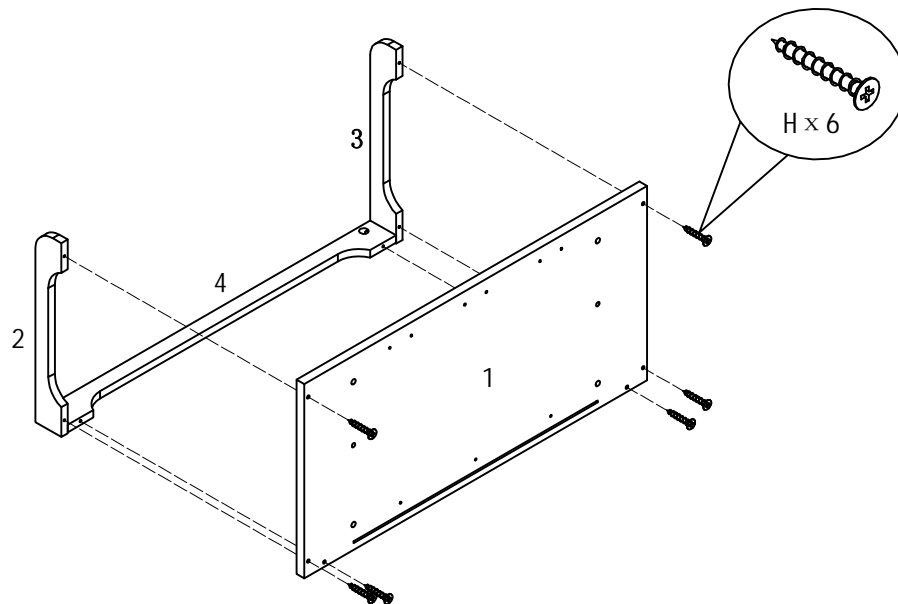
STEP 11

STEP 12



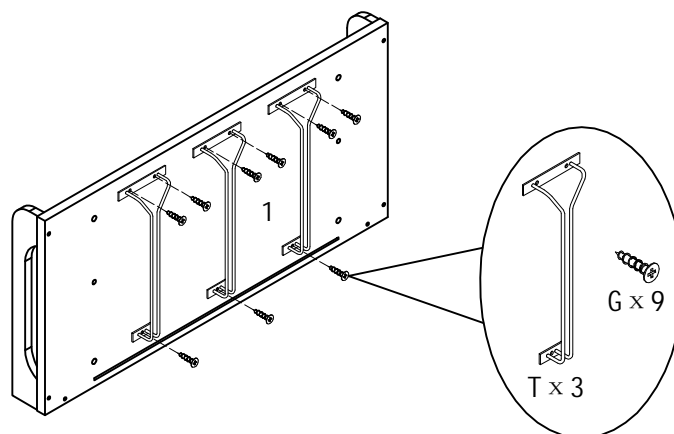
ASSEMBLY INSTRUCTION

ITEM#: 192467



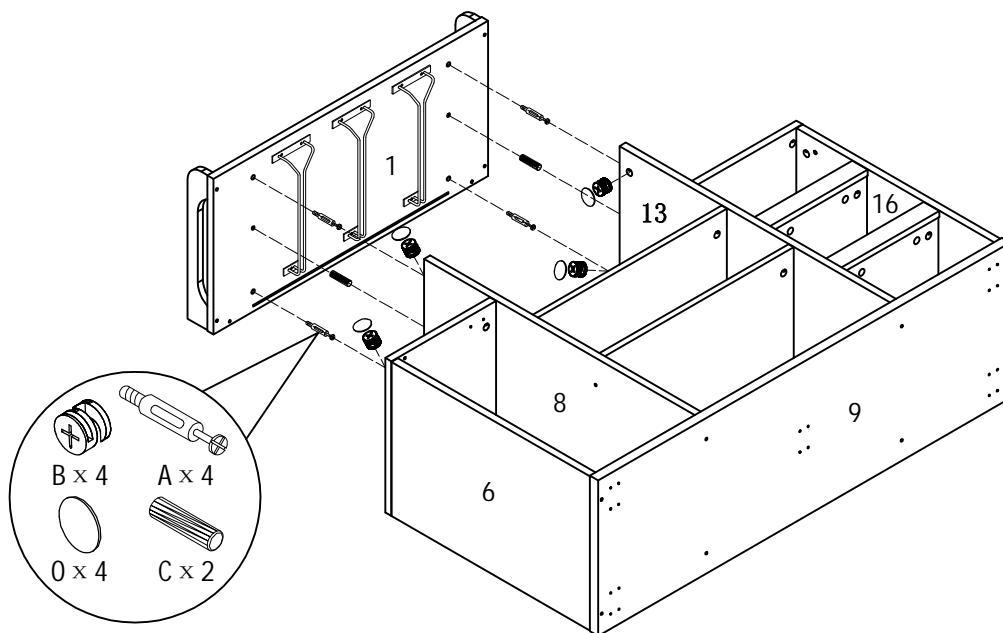
STEP13

STEP14



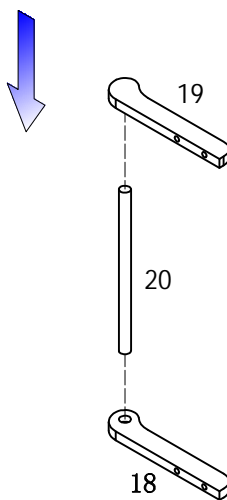
ASSEMBLY INSTRUCTION

ITEM#: 192467



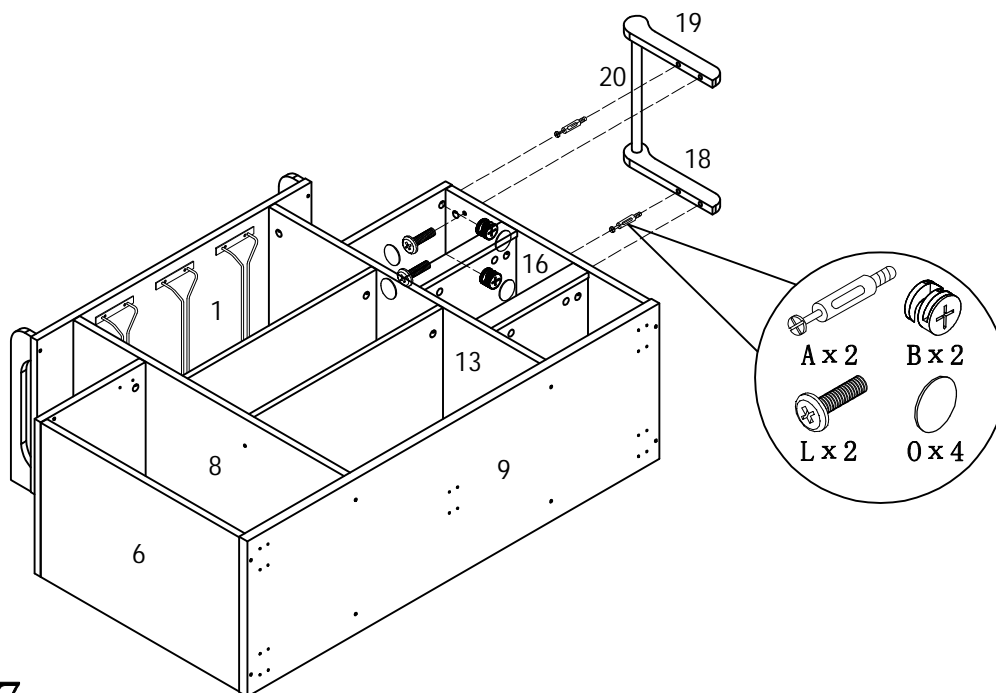
STEP 15

STEP 16



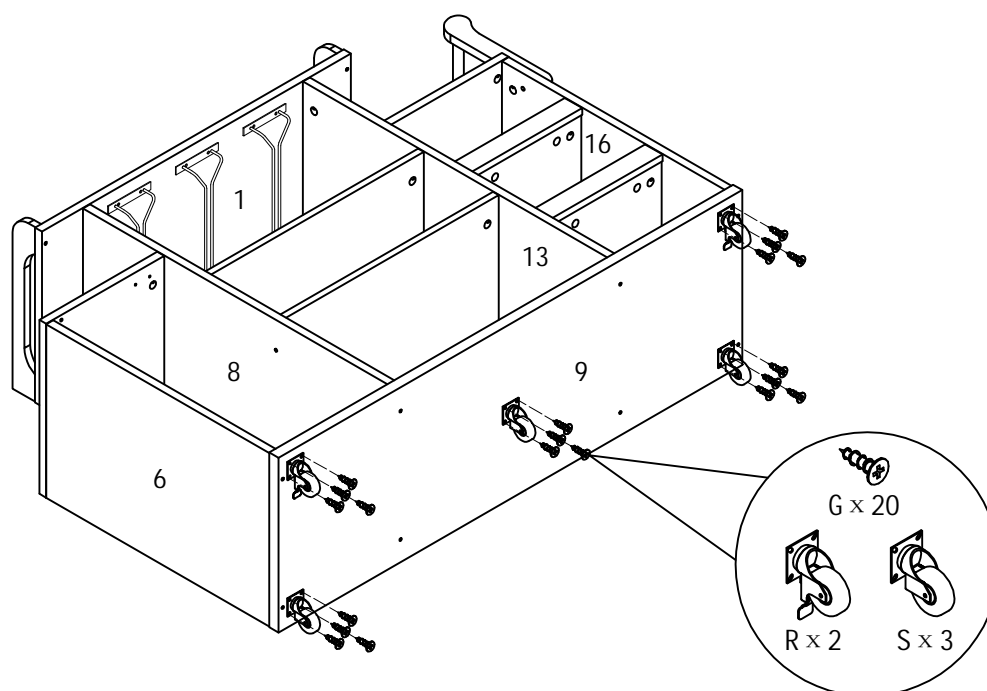
ASSEMBLY INSTRUCTION

ITEM#: 192467



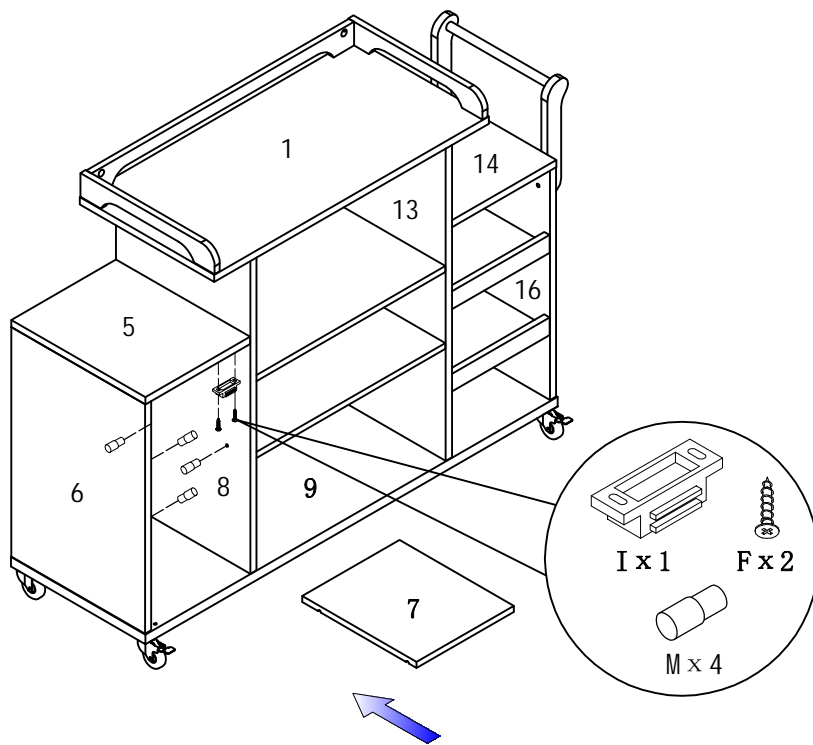
STEP 17

STEP 18



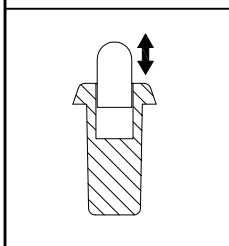
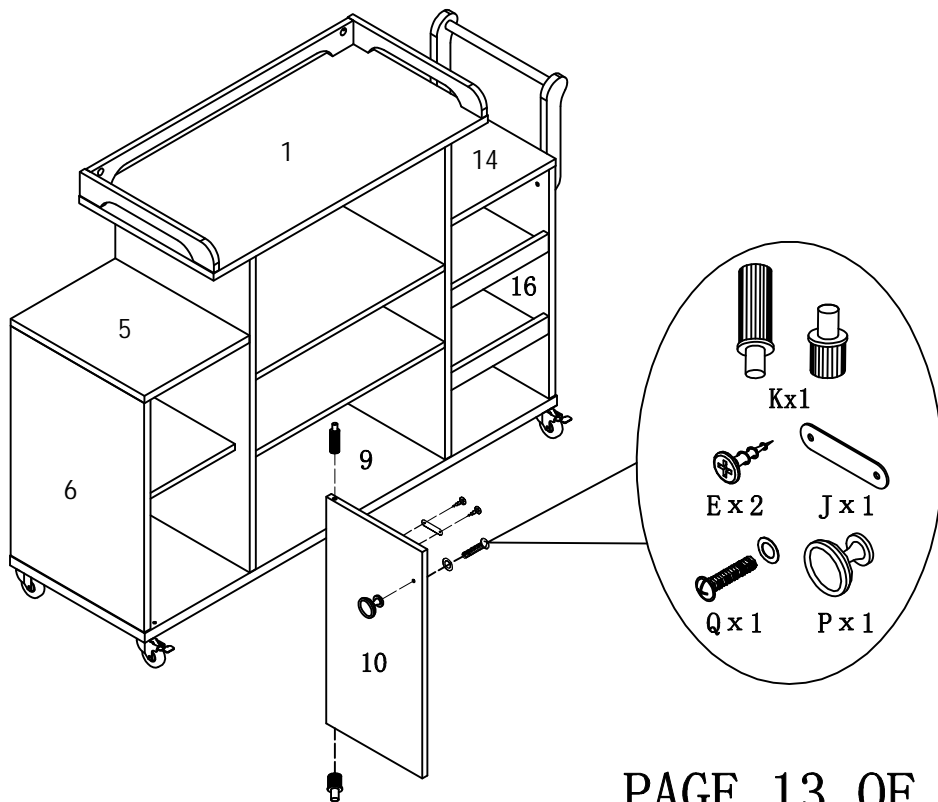
ASSEMBLY INSTRUCTION

ITEM#: 192467



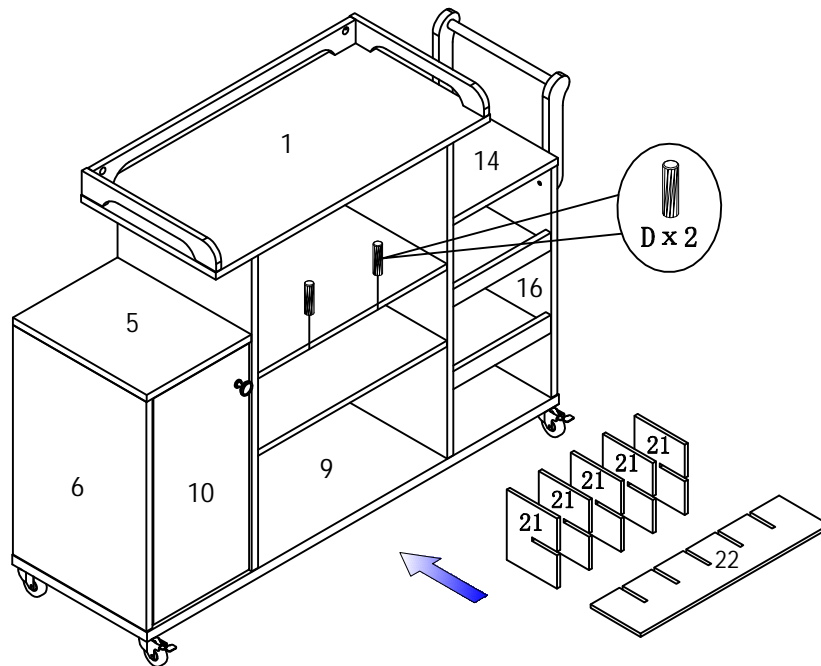
STEP19

STEP20



ASSEMBLY INSTRUCTION

ITEM#: 192467



STEP21

STEP22

