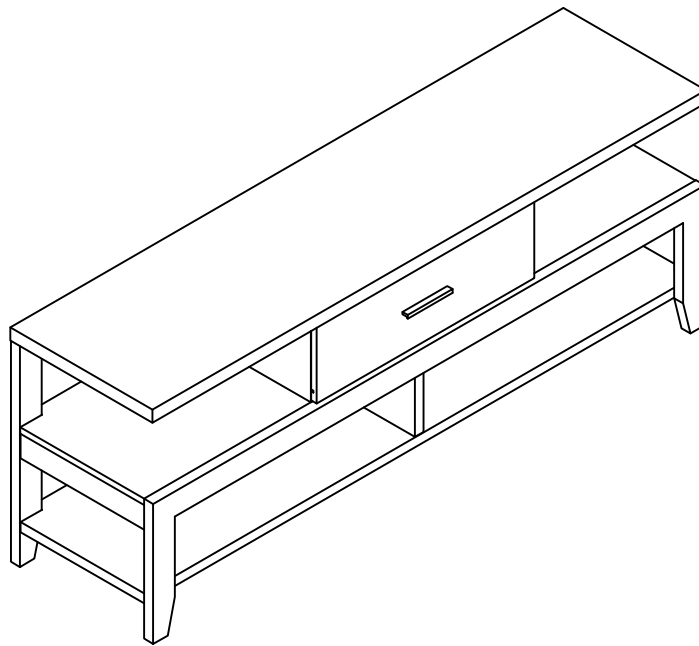


# ASSEMBLY INSTRUCTION

---

ITEM#: 192471



# ASSEMBLY INSTRUCTION

---

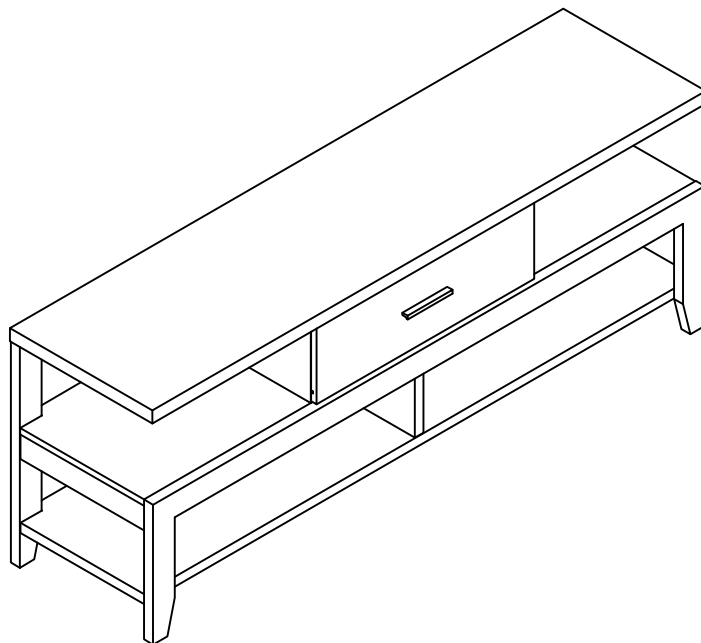
## PLEASE READ BEFORE ASSEMBLING!

Tip #1: Make sure you've taken all the pieces and hardware out of its packaging before discarding the box.

Tip #2: Using page 2 and/or page 3 of instruction manual make sure all pieces and hardware are accounted for.

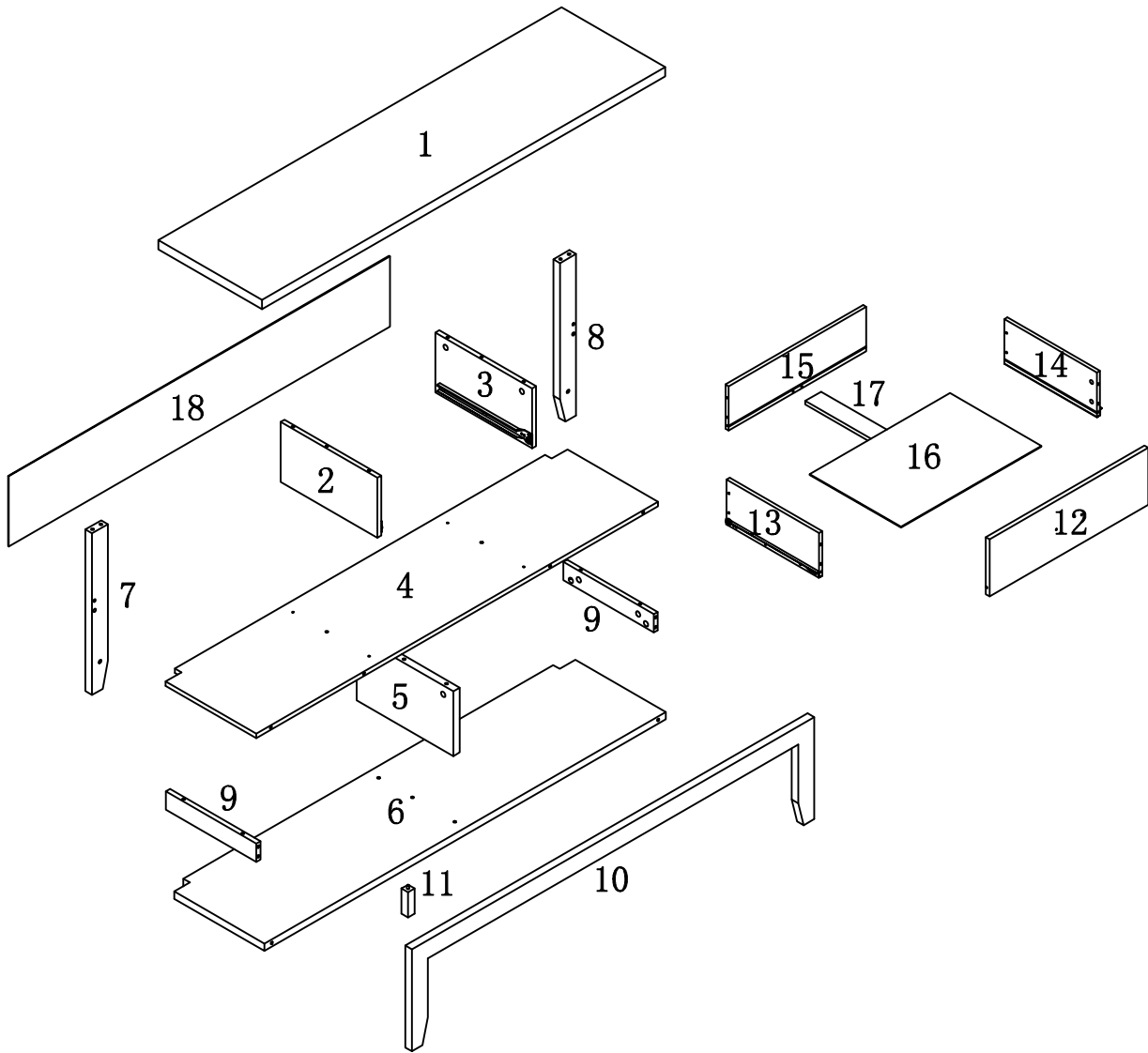
Tip #3: Read manual before assembling, it helps!

ITEM#: 192471



# PARTS IDENTIFICATION

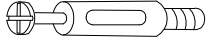


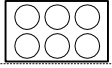
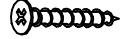
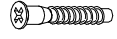



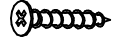
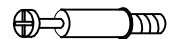


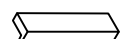


ITEM#: 192471



(1)	1pc	(7)	1pc	(13)	1pc
(2)	1pc	(8)	1pc	(14)	1pc
(3)	1pc	(9)	2pcs	(15)	1pc
(4)	1pc	(10)	1pc	(16)	1pc
(5)	1pc	(11)	1pc	(17)	1pc
(6)	1pc	(12)	1pc	(18)	1pc

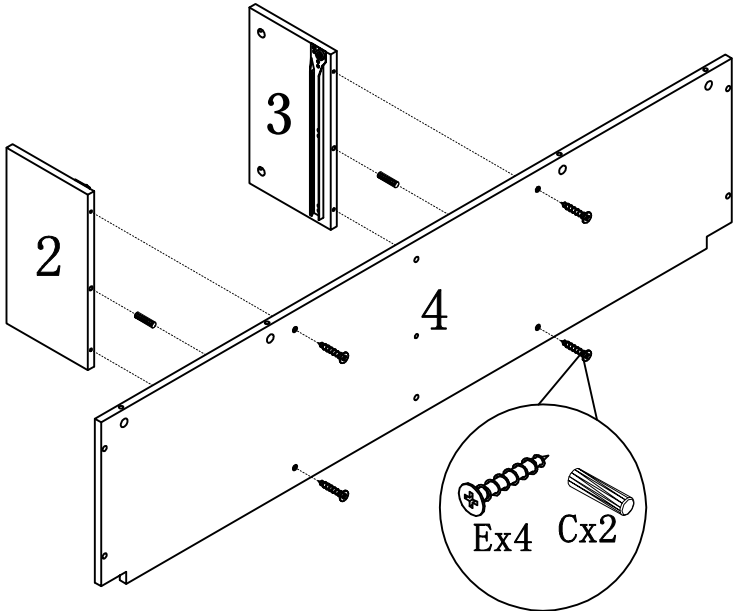
# HARDWARE IDENTIFICATION

ITEM#: 192471

A		L29	24pcs
B		Ø15	24pcs
C		Ø8x25	12pcs
D		Ø22	10pcs
E		Ø4x35	4pcs
F		Ø7x48	2pcs
G		Ø8xØ16x2	2pcs
H		Ø16	4pcs
I			33pcs
J		Ø4x30	6pcs
K		L20	4pcs
L		Ø12	4pcs
M		Ø6x30	2pcs
N		96#	1pc
O		Ø4x22	2pcs
P		Glue: For securing please apply to wood dowel first before inserting into panel	1pc

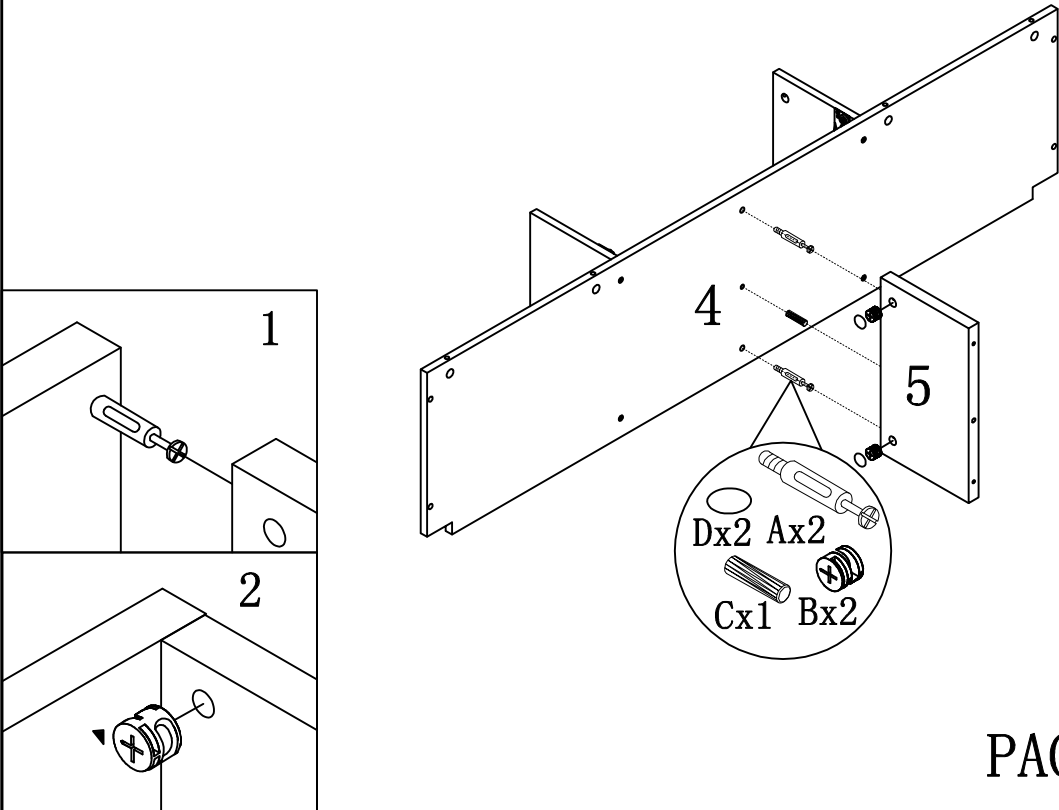
# ASSEMBLY INSTRUCTION

ITEM#: 192471



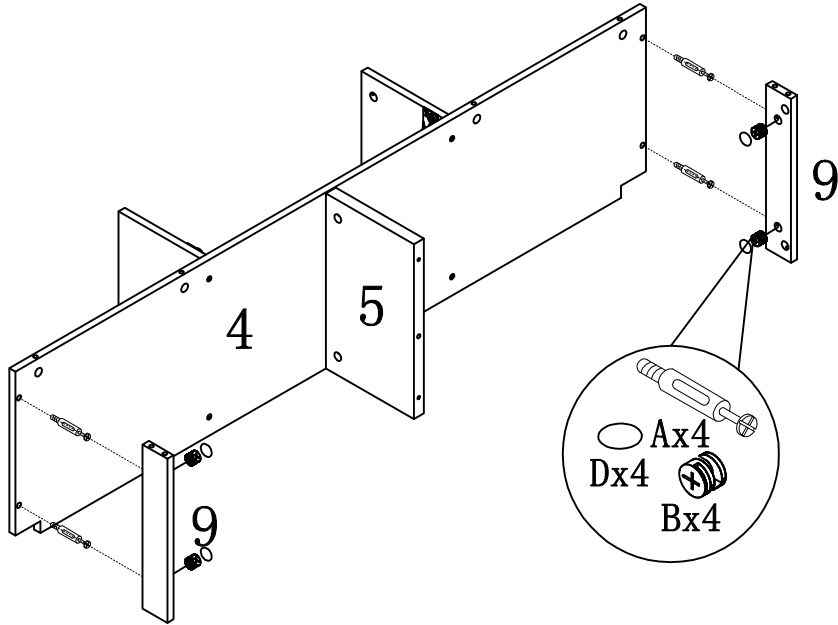
STEP 1

STEP 2



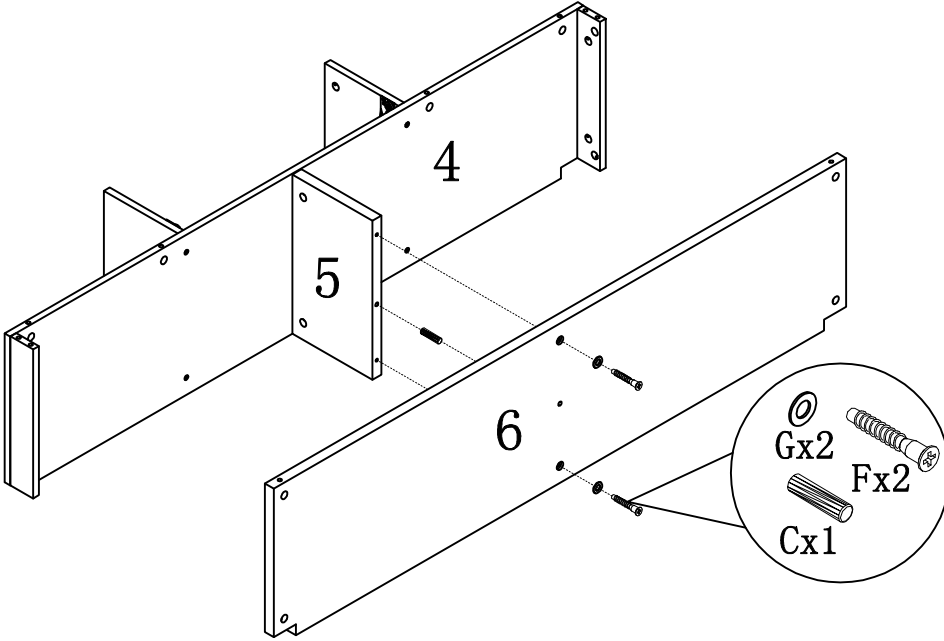
# ASSEMBLY INSTRUCTION

ITEM#: 192471



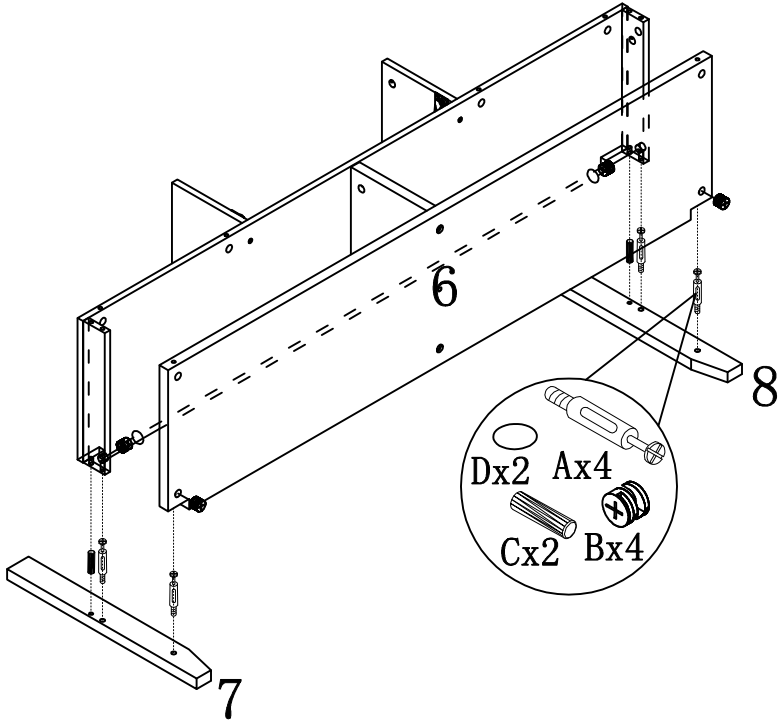
STEP3

STEP4



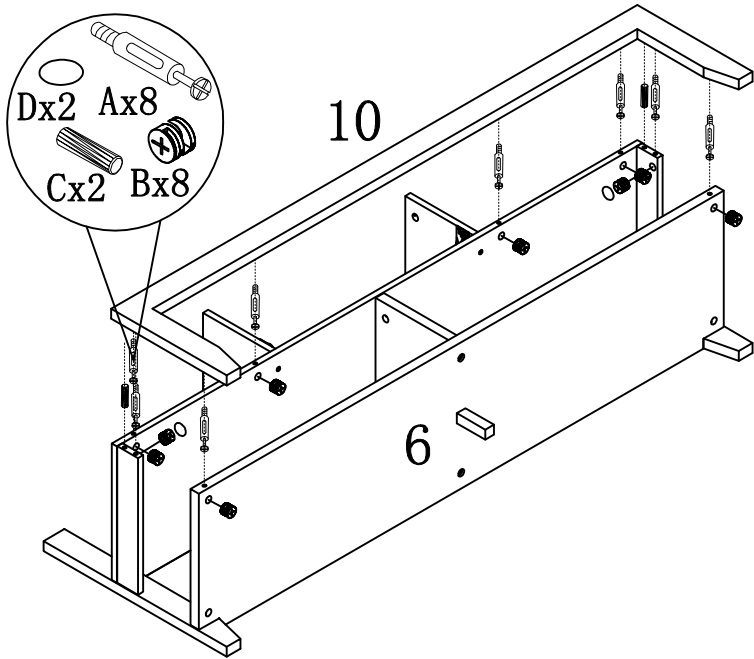
# ASSEMBLY INSTRUCTION

ITEM#: 192471



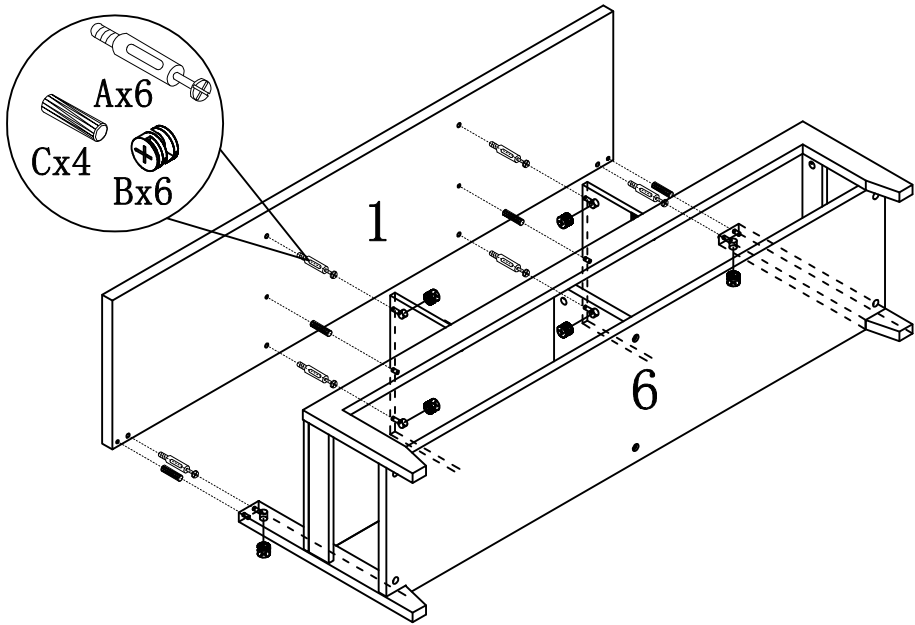
STEP5

STEP6



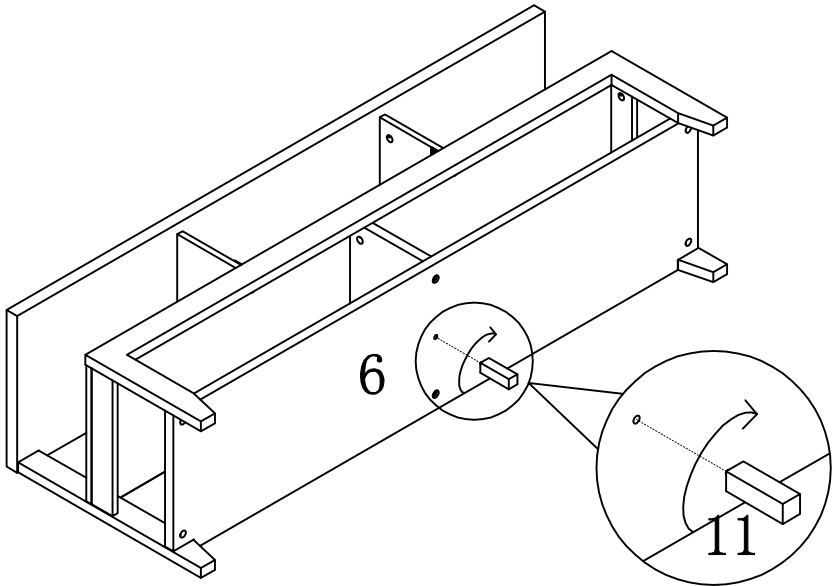
# ASSEMBLY INSTRUCTION

ITEM#: 192471



STEP7

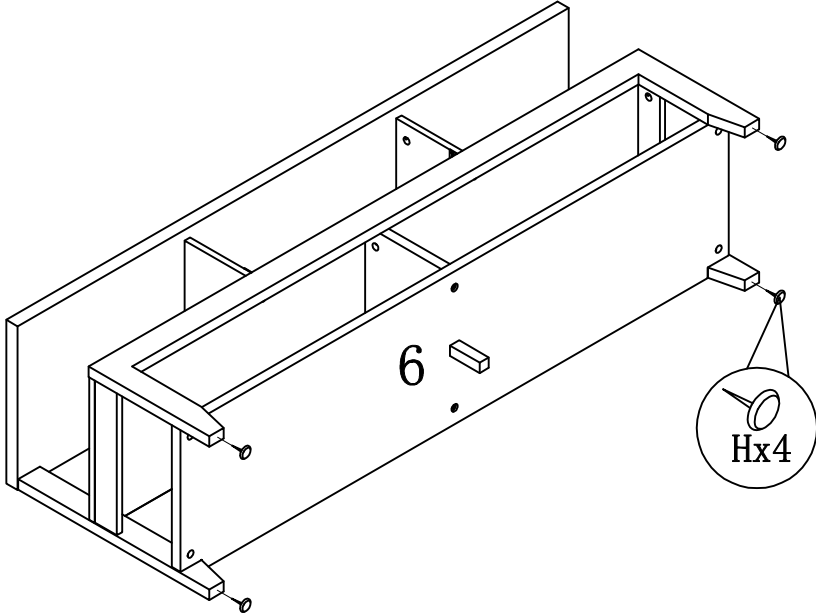
STEP8





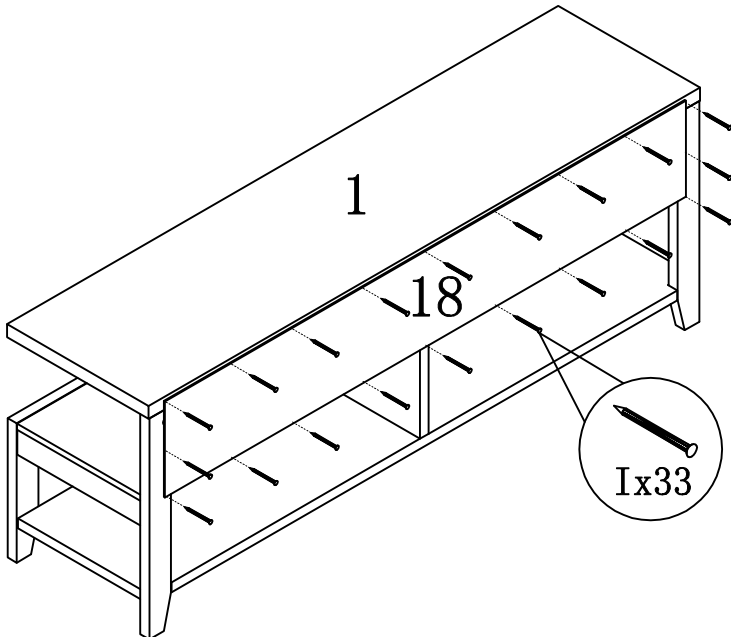
# ASSEMBLY INSTRUCTION

ITEM#: 192471



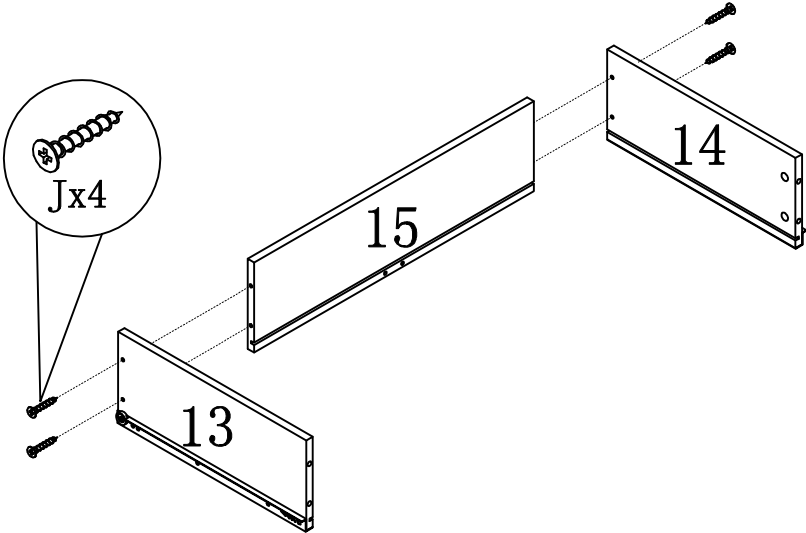
STEP9

STEP10



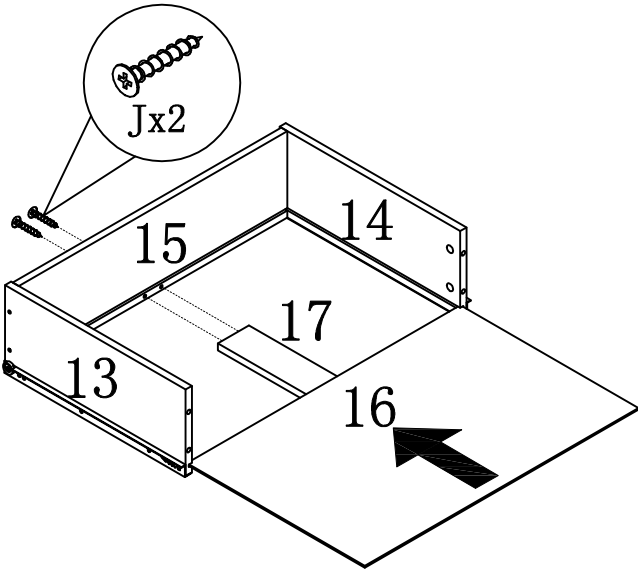
# ASSEMBLY INSTRUCTION

ITEM#: 192471



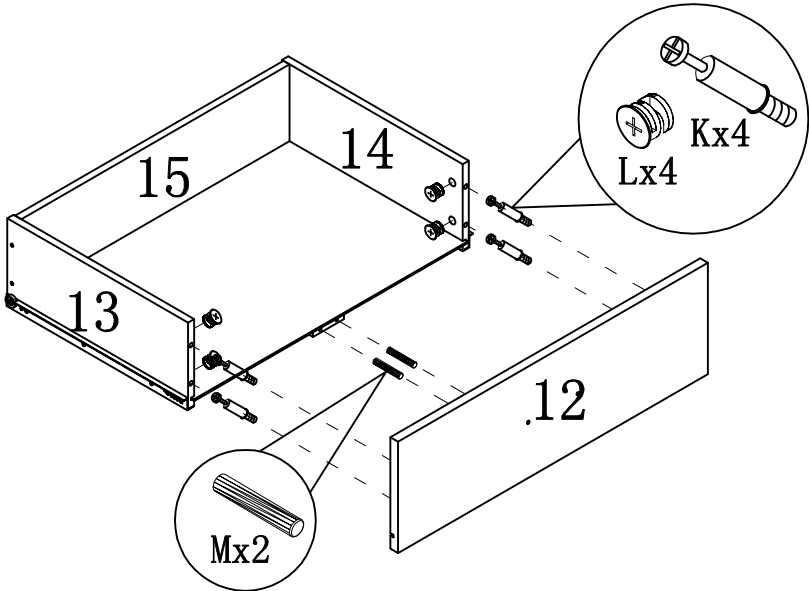
STEP 11

STEP 12



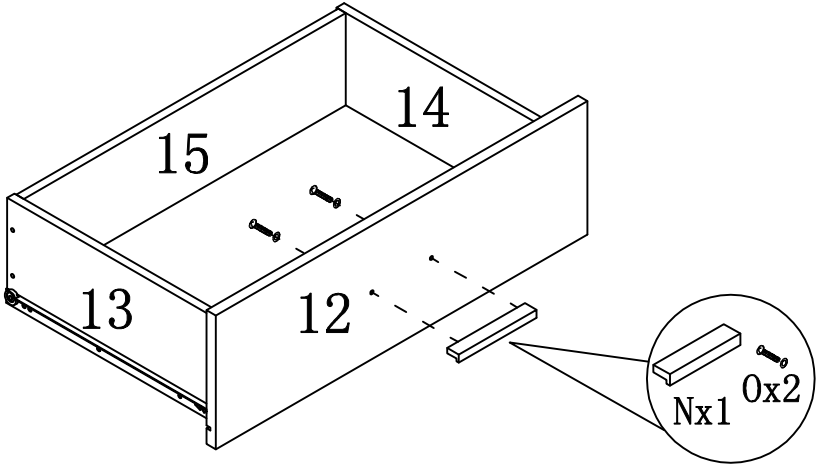
# ASSEMBLY INSTRUCTION

ITEM#: 192471



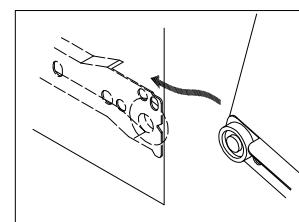
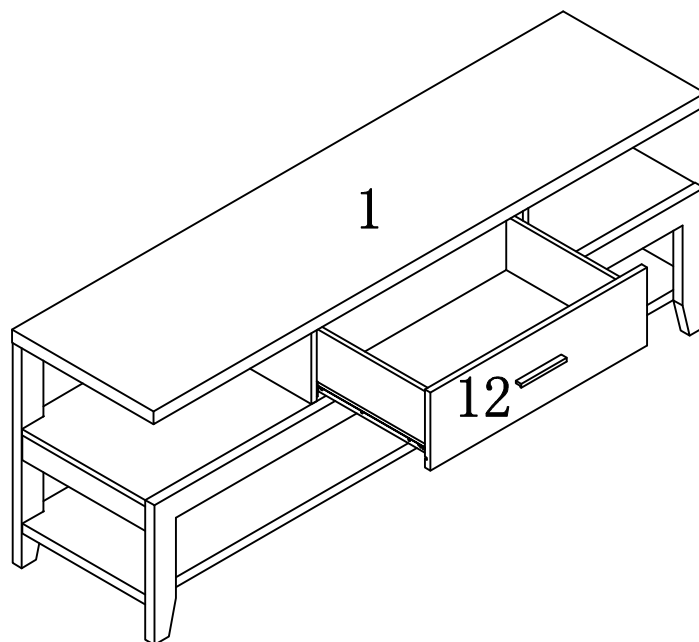
STEP 13

STEP 14



# ASSEMBLY INSTRUCTION

ITEM#: 192471



STEP 15

STEP 16

