

ASSEMBLY INSTRUCTION

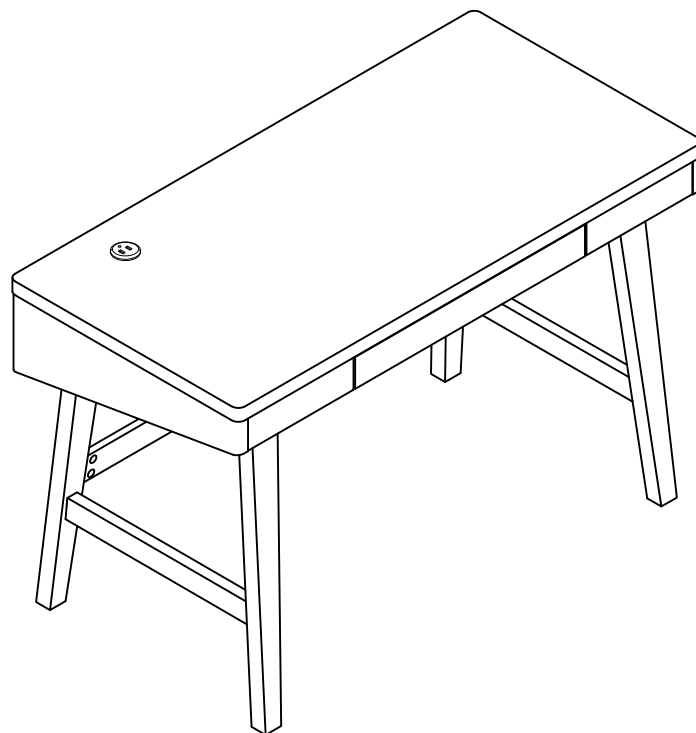
PLEASE READ BEFORE ASSEMBLING!

Tip #1: Make sure you've taken all the pieces and hardware out of its packaging before discarding the box.

Tip #2: Using page 2 and/or page 3 of instruction manual make sure all pieces and hardware are accounted for.

Tip #3: Read manual before assembling, it helps!

ITEM#: 192476

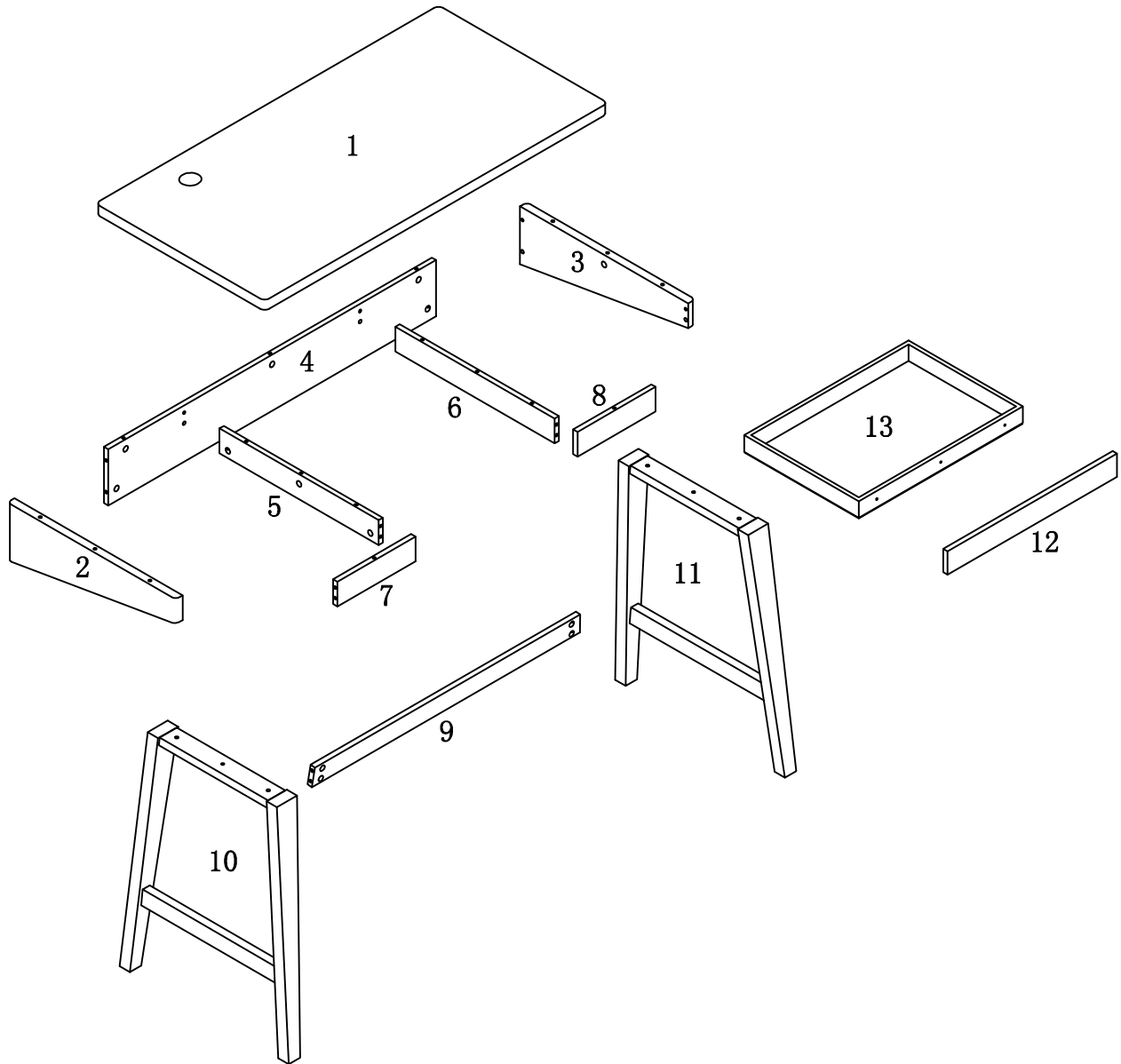


Need some help?
Scan here for
assembly video.



PARTS IDENTIFICATION




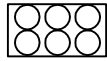




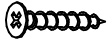

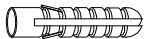

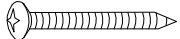



ITEM#: 192476



(1)	1pc	(7)	1pc	(13)	1pc
(2)	1pc	(8)	1pc		
(3)	1pc	(9)	1pc		
(4)	1pc	(10)	1pc		
(5)	1pc	(11)	1pc		
(6)	1pc	(12)	1pc		

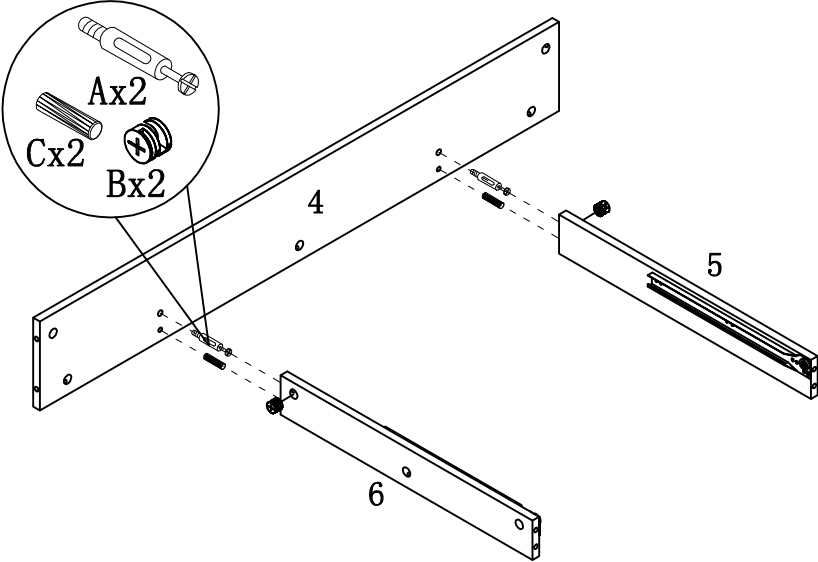
HARDWARE IDENTIFICATION

ITEM#: 192476

A		L29	21pcs
B		Ø15	21pcs
C		Ø8x25	18pcs
D		Ø22	4pcs
E		M8x40	4pcs
F		Ø8xØ16x2	4pcs
G		M5	1pc
H		Ø16	4pcs
I		Ø4x25	3pcs
J		197x5x1	1pc
K		Ø8x40	1pc
L		12x12x1	2pc
M		Ø5x40	1pc
N		Ø4x25	1pc
O		Ø40	1pc
P		Glue: For securing please apply to wood dowel first before inserting into panel	1pc

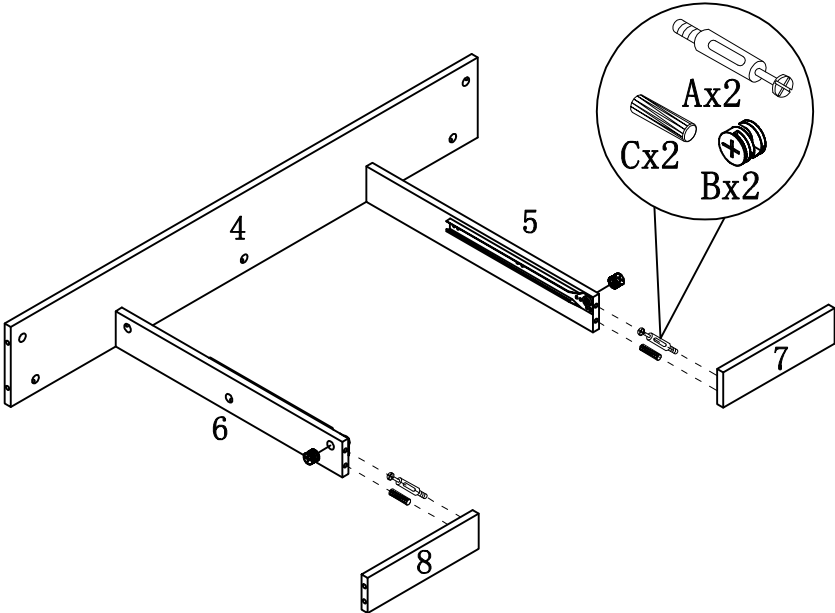
ASSEMBLY INSTRUCTION

ITEM#: 192476



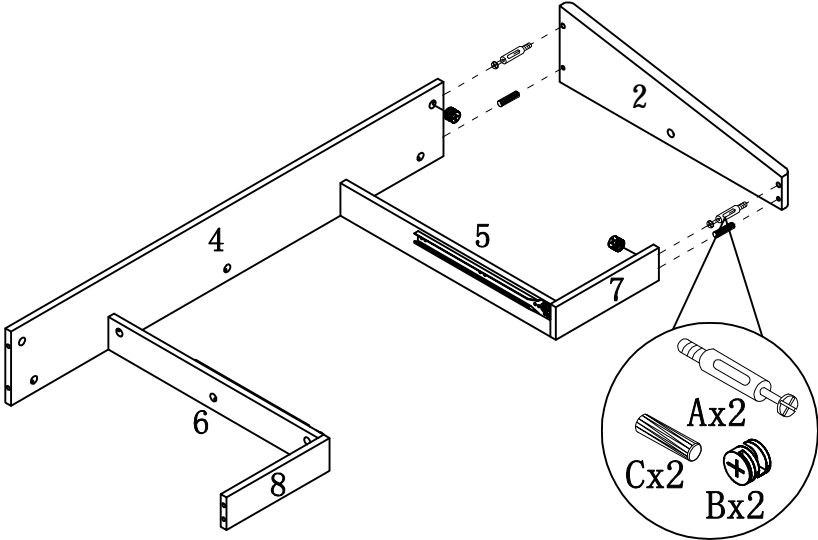
STEP1

STEP2



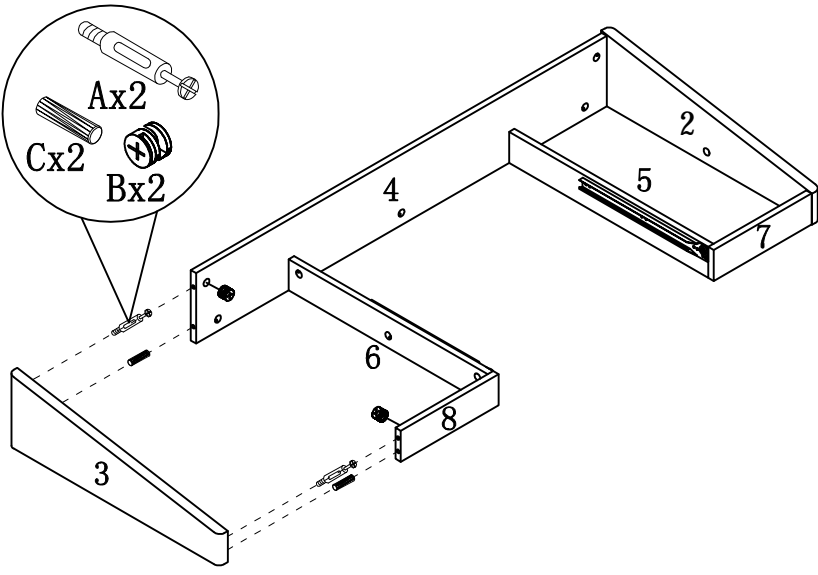
ASSEMBLY INSTRUCTION

ITEM#: 192476



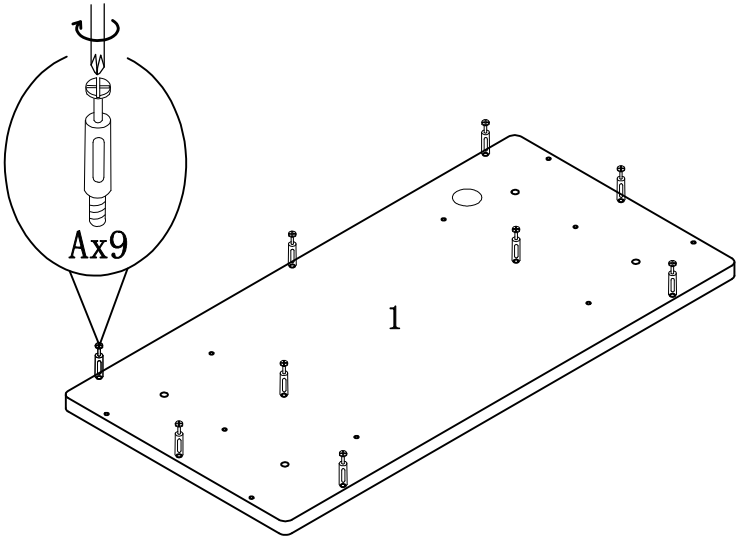
STEP3

STEP4



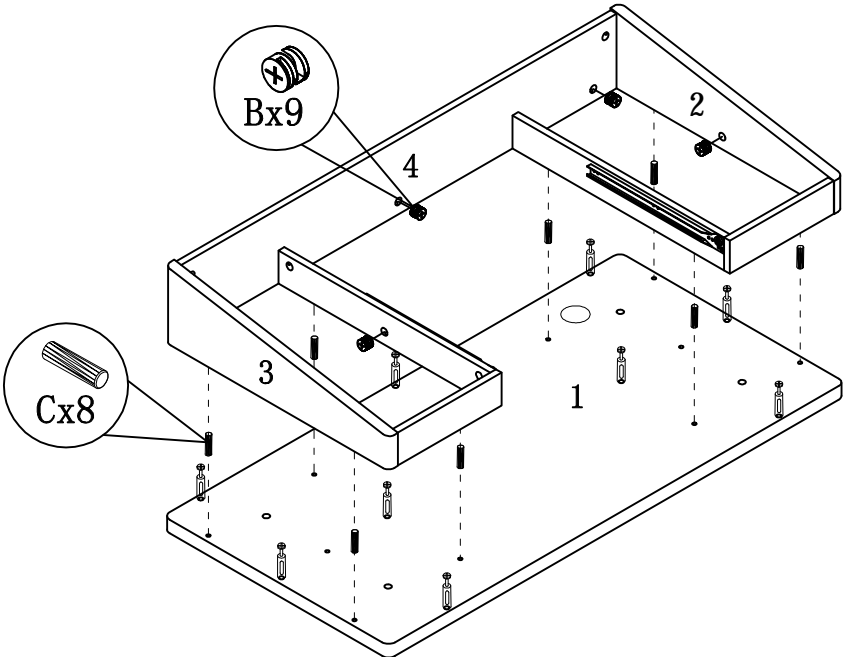
ASSEMBLY INSTRUCTION

ITEM#: 192476



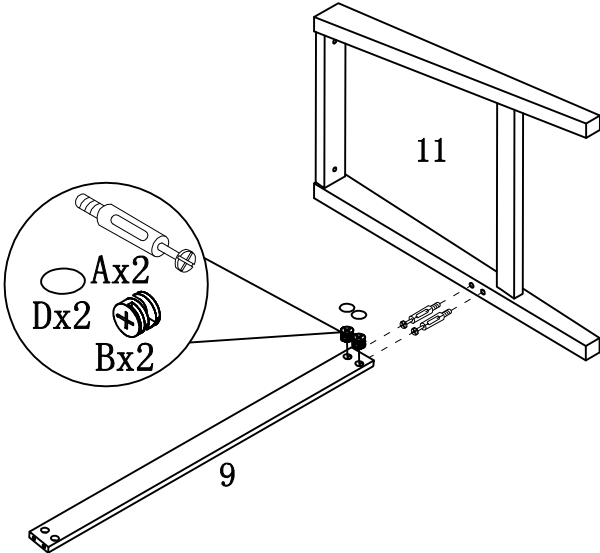
STEP5

STEP6



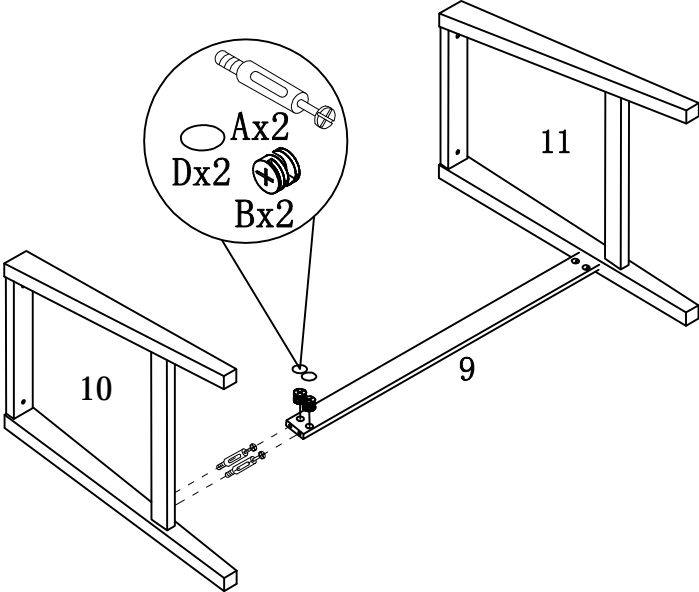
ASSEMBLY INSTRUCTION

ITEM#: 192476



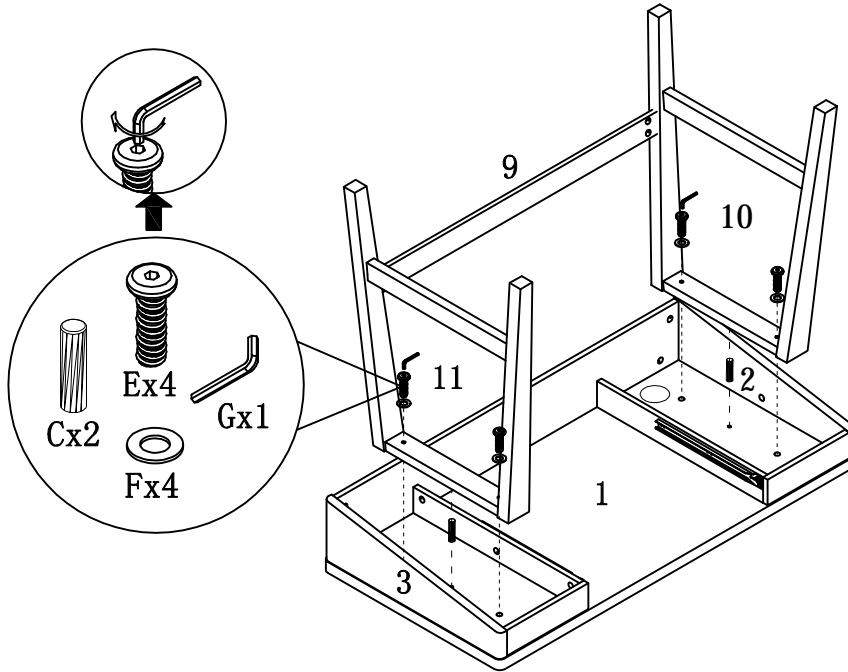
STEP7

STEP8



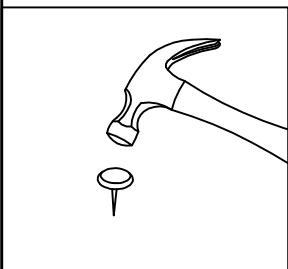
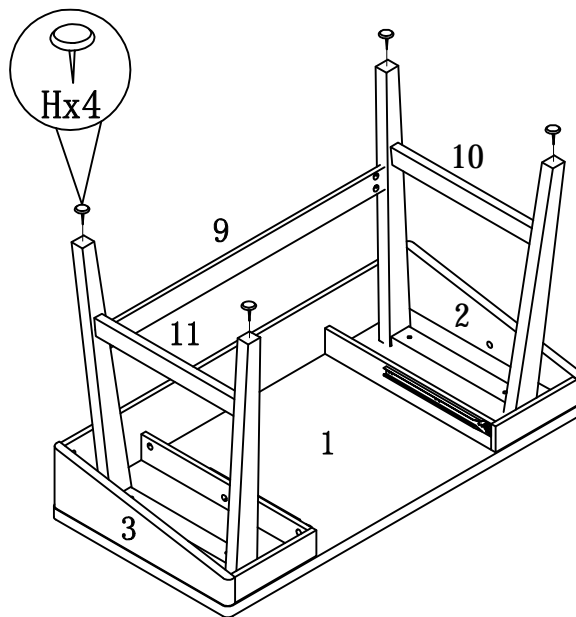
ASSEMBLY INSTRUCTION

ITEM#: 192476



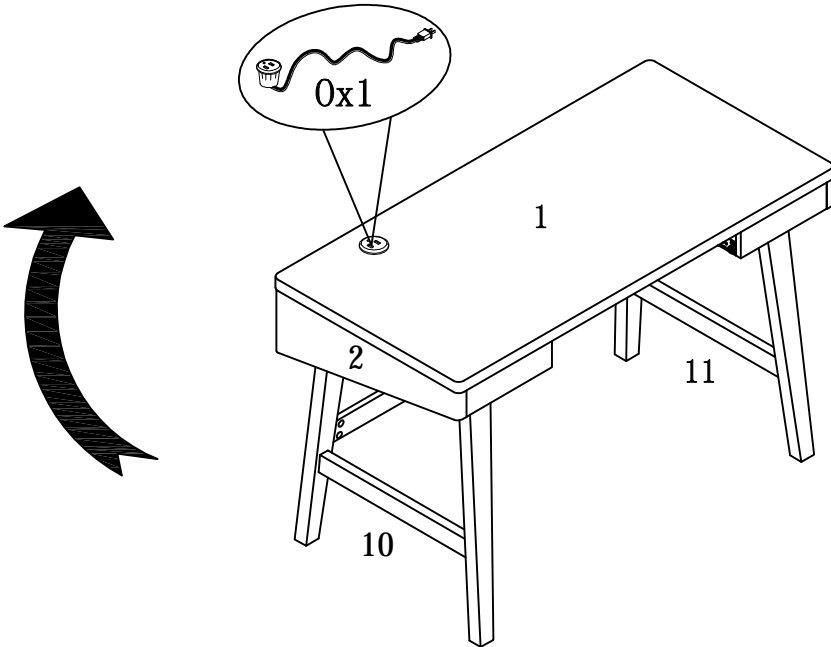
STEP9

STEP10



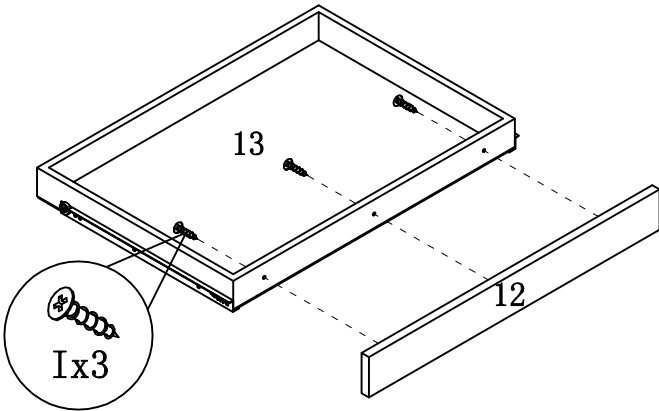
ASSEMBLY INSTRUCTION

ITEM#: 192476



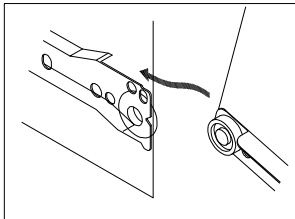
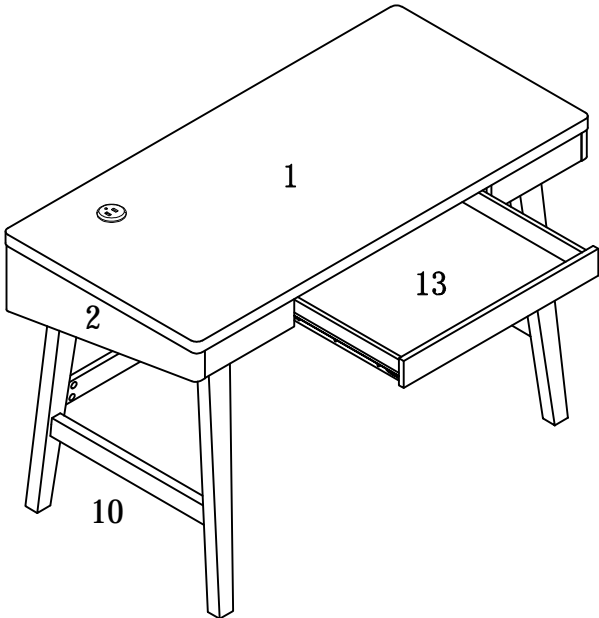
STEP11

STEP12



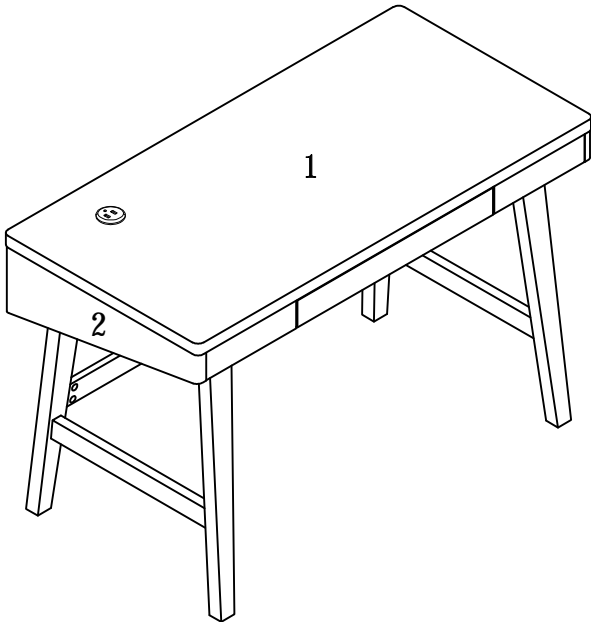
ASSEMBLY INSTRUCTION

ITEM#: 192476



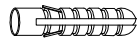
STEP13

STEP14

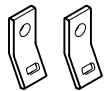


ANTI-TIPPING STRAP INSTRUCTION

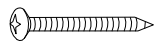
HARDWARE (INCLUDED):



DRYWALL ANCHOR $\phi 8 \times 40$ X 1PC



METAL BRACKETS $12 \times 12 \times 1$ X 2PCS



DRYWALL SCREW $\phi 5 \times 40$ X 1PC

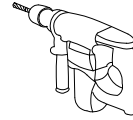


STRAP $197 \times 5 \times 1$ X 1PC



FLATHEAD SCREW $\phi 4 \times 25$ X 1PC

TOOLS NEEDED (NOT INCLUDED):



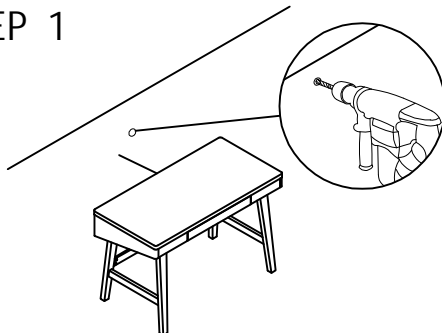
DRILL & DRILL BIT



LIGHT HAMMER

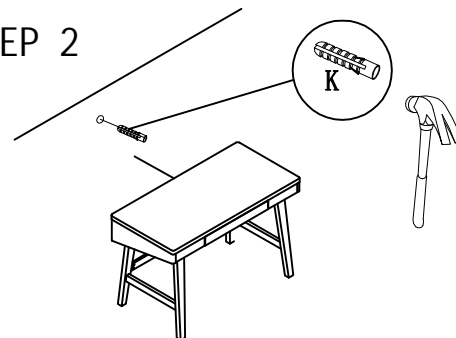
Note: Hardware included only compatible with standard drywalls.

STEP 1



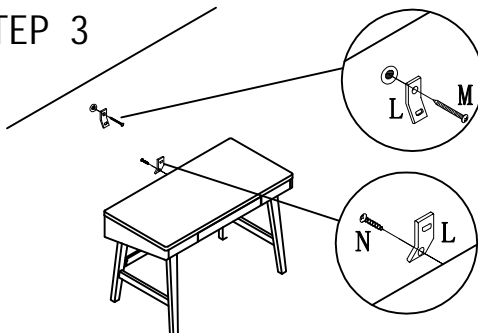
1. Find spot on wall 1" below top of item.
2. Using a drill bit slightly thinner than anchor, drill hole into drywall.

STEP 2



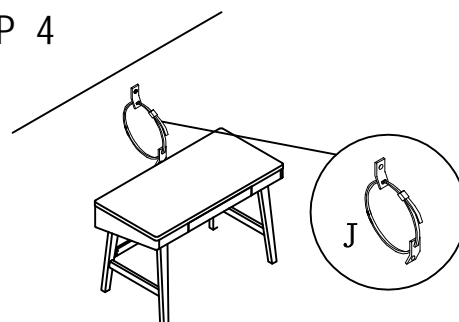
1. Use a light hammer to tap anchor into hole.
2. Anchor should fit snugly. If hole is too small, drill again to increase hole size. Do not force anchor into wall.

STEP 3



1. Insert drywall screw into metal bracket and into drywall anchor.
2. Insert flathead screw into second metal bracket and into back of item along top edge.

STEP 4



1. Insert strap thru bracket attached to wall, then thru bracket on item, and into head of strap.
 2. pull lightly til strap stops.
- Assembly is complete.