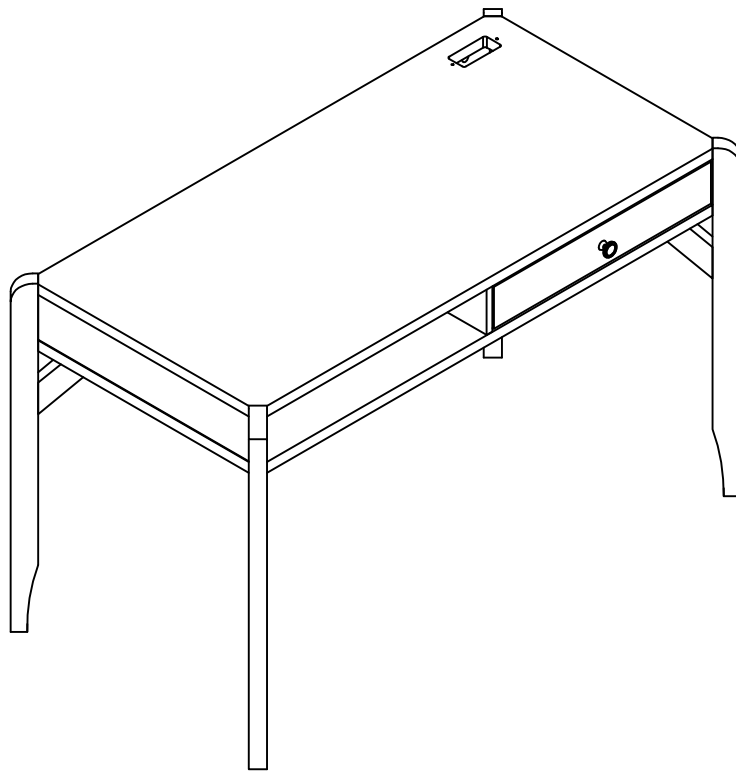


ASSEMBLY INSTRUCTION

ITEM#: 192625



ASSEMBLY INSTRUCTION

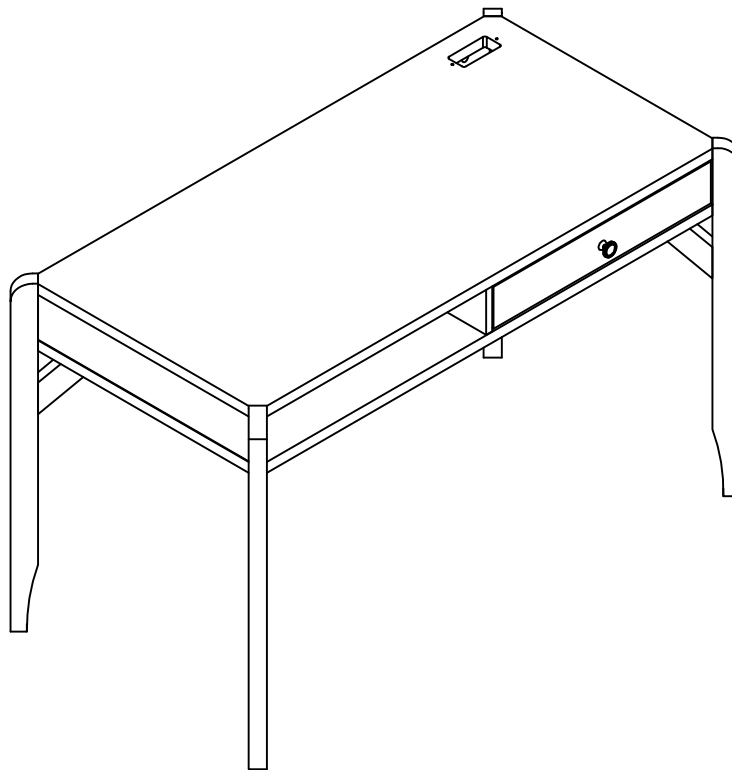
PLEASE READ BEFORE ASSEMBLING!

Tip #1: Make sure you've taken all the pieces and hardware out of its packaging before discarding the box. Assembly on top of flattened box/blanket is recommended.

Tip #2: Using page 2 and/or page 3 of instruction manual make sure all pieces and hardware are accounted for.

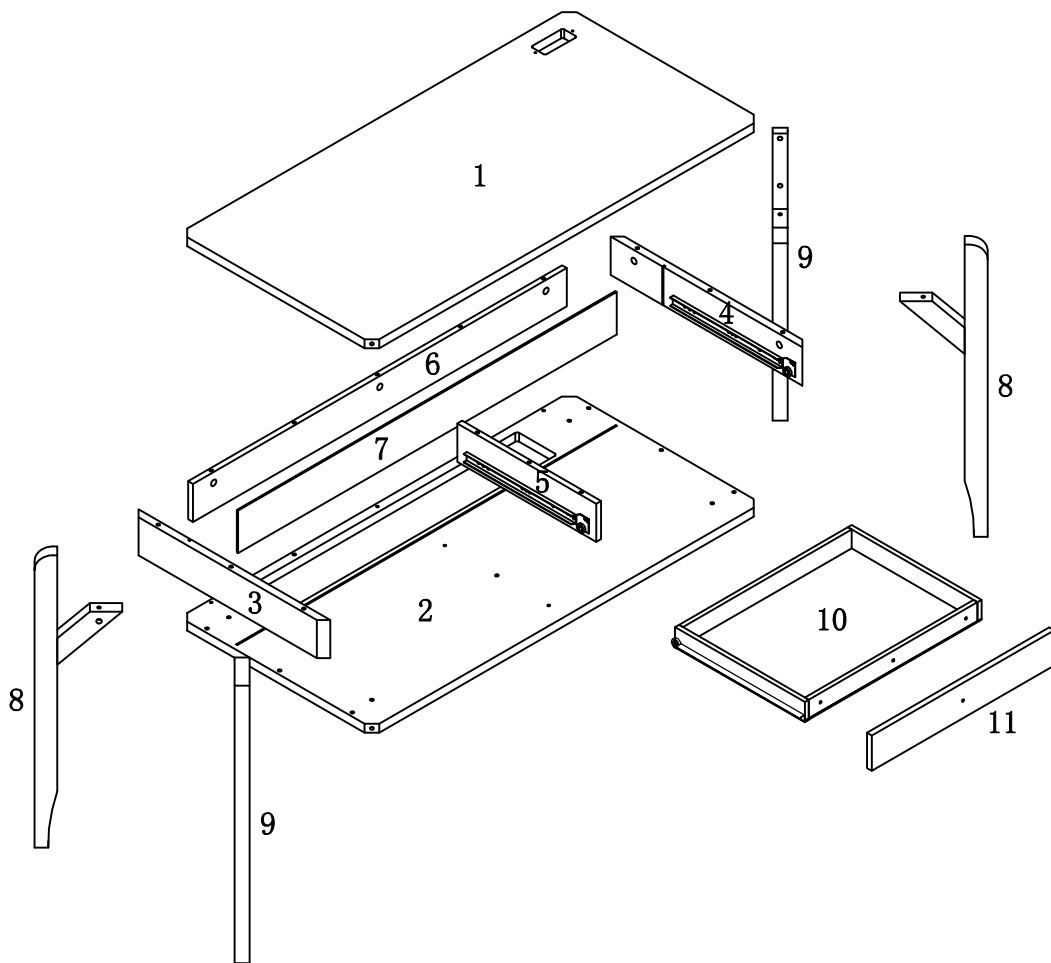
Tip #3: Note position of all holes on each panel during assembly.

ITEM#: 192625



PARTS IDENTIFICATION





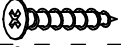
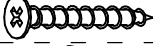

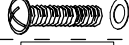





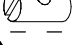




ITEM#: 192625



| | | | | | |
|-----|-----|-----|------|------|------|
| (1) | 1pc | (5) | 1pc | (9) | 2pcs |
| (2) | 1pc | (6) | 1pc | (10) | 1pc |
| (3) | 1pc | (7) | 1pc | (11) | 1pc |
| (4) | 1pc | (8) | 2pcs | | |

HARDWARE IDENTIFICATION

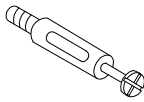

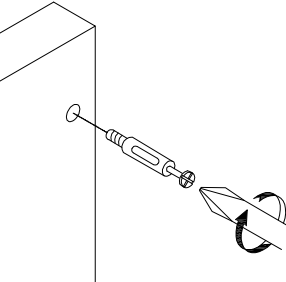
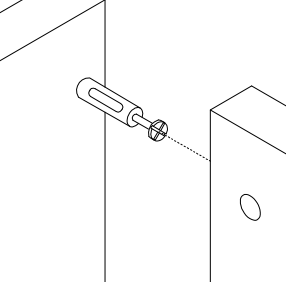
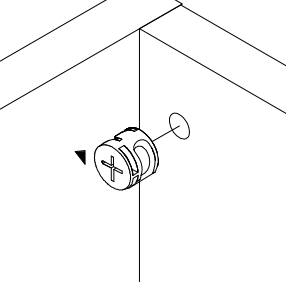
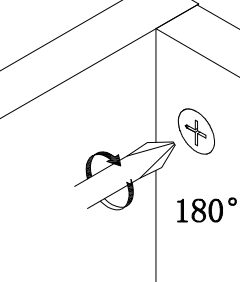
ITEM#: 192625

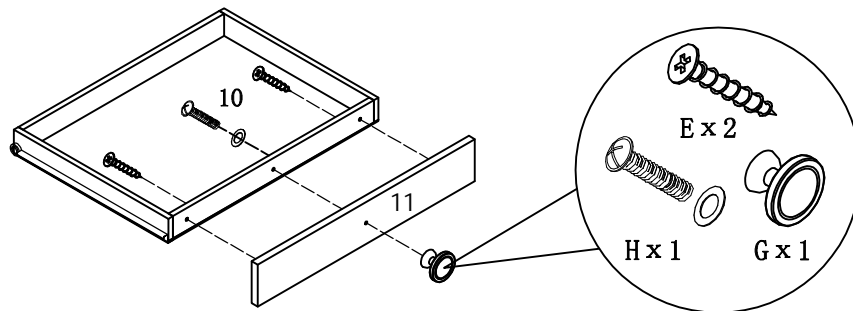
| | | | |
|---|---|----------|-------|
| A |  | L29 | 17pcs |
| B |  | ø15 | 17pcs |
| C |  | ø8x25 | 10pcs |
| D |  | ø3.5x12 | 2pcs |
| E |  | ø4x25 | 2pcs |
| F |  | ø4x45 | 5pcs |
| G |  | | 1pc |
| H |  | M4x35 | 1pc |
| I |  | ø22 | 11pcs |
| J |  | ø16 | 4pcs |
| K |  | ø7x48 | 4pcs |
| L |  | ø16xø8x2 | 4pcs |
| M |  | ø16xø6x2 | 4pcs |
| N |  | M6 x 15 | 4pcs |
| O |  | M6 x 65 | 4pcs |
| P |  | M4 | 1pc |
| Q |  | | 1pc |
| R |  | | 1pc |

Glue: For securing please apply to wood dowel first before inserting into panel

ASSEMBLY INSTRUCTION

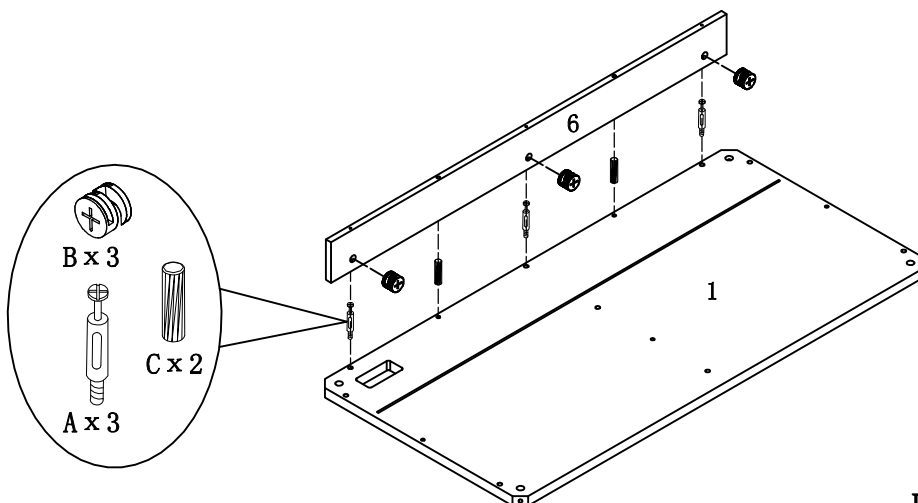
ITEM#: 192625

| HOW TO | 1 | 2 | 3 | 4 |
|---|---|---|--|---|
|  <p>Cam Bolt</p>  <p>Cam Lock</p> |  |  |  |  <p>180°</p> |
| | <p>1. Screw Cam Bolt into panel.</p> | <p>2. Insert Cam Bolt into bolt hole of joining panel.</p> | <p>3. Insert Cam Lock. arrow facing bolt.</p> | <p>4. Gently turn Cam Lock clockwise to lock position.</p> |



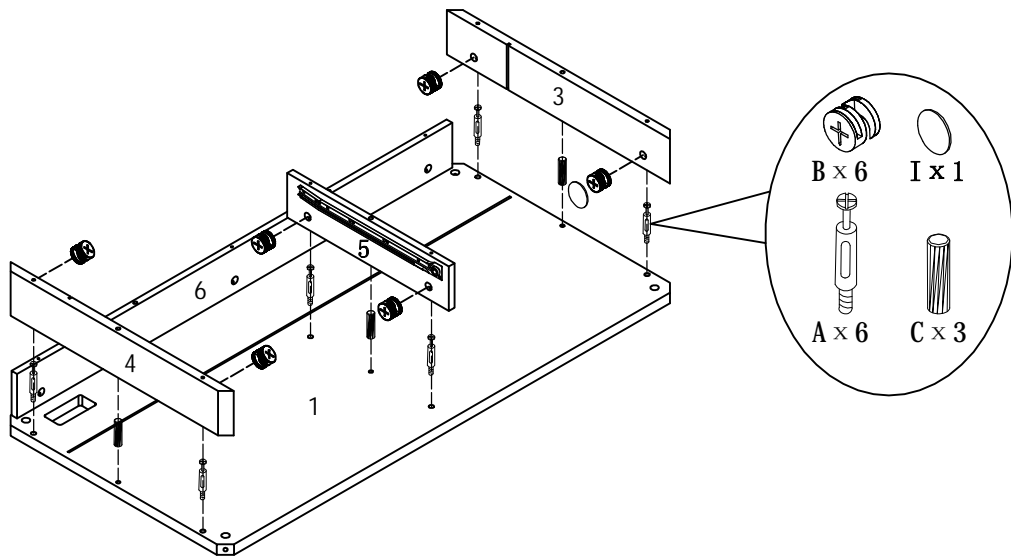
STEP 1

STEP 2



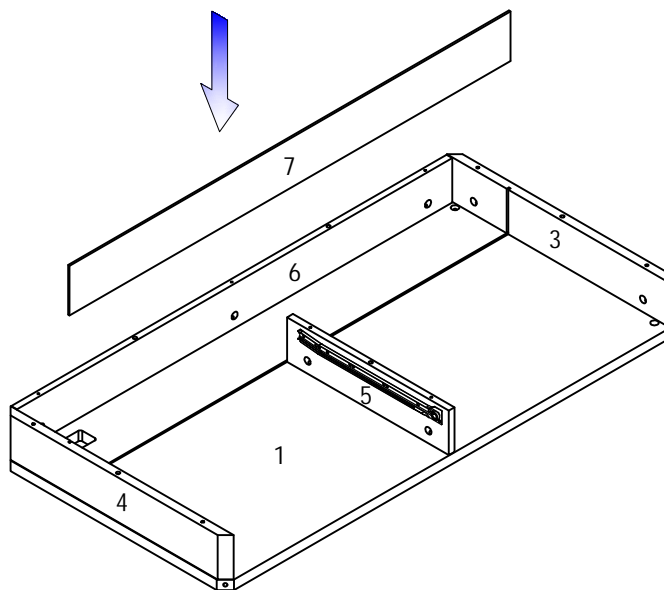
ASSEMBLY INSTRUCTION

ITEM#: 192625



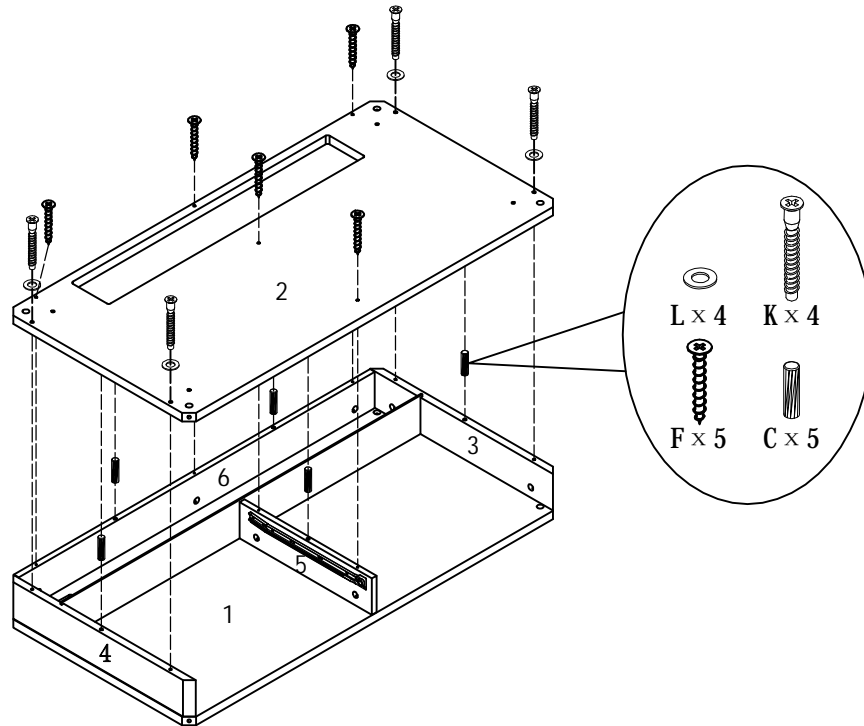
STEP 3

STEP 4



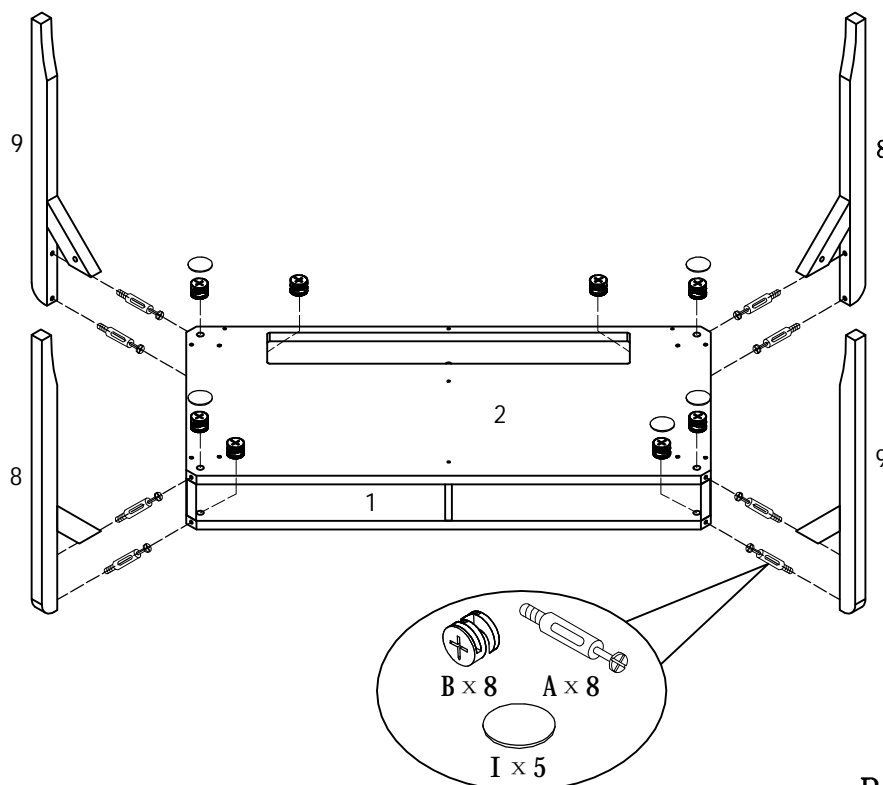
ASSEMBLY INSTRUCTION

ITEM#: 192625



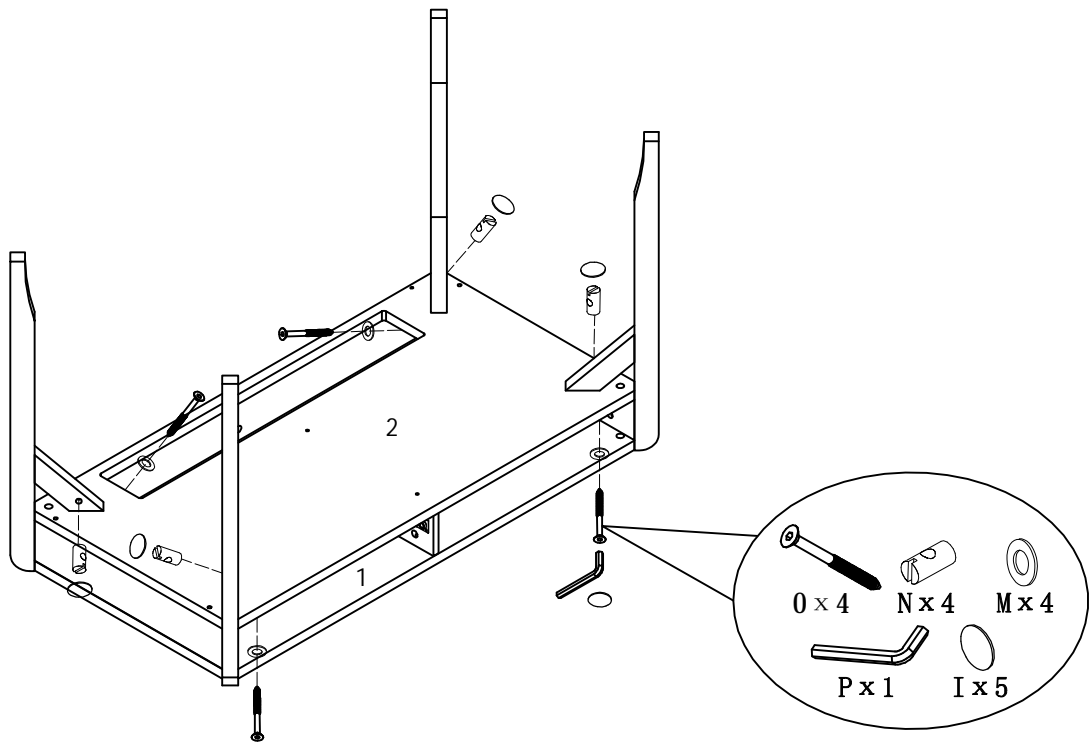
STEP 5

STEP 6



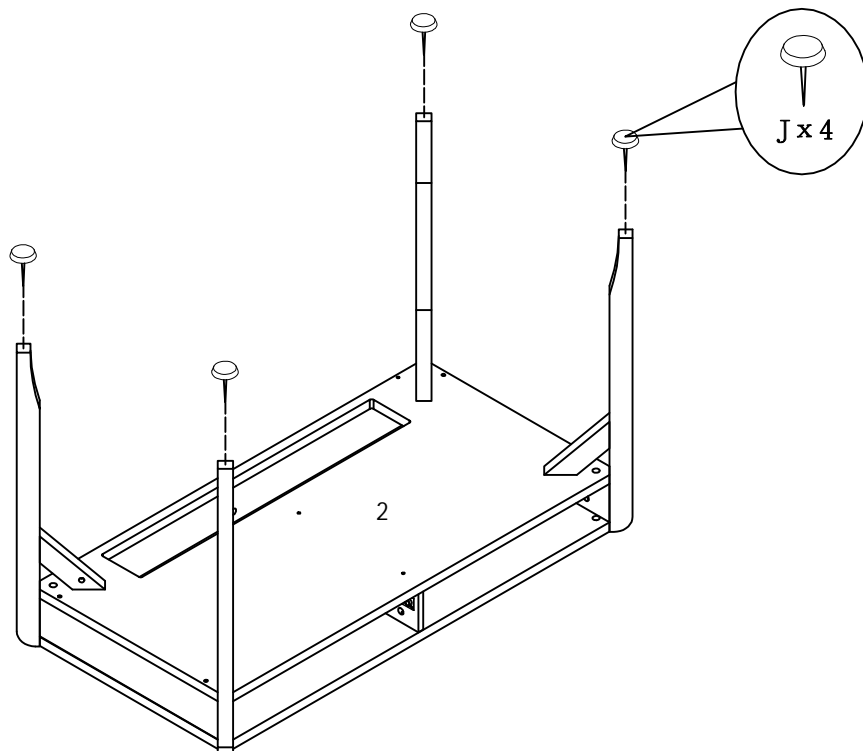
ASSEMBLY INSTRUCTION

ITEM#: 192625



STEP 7

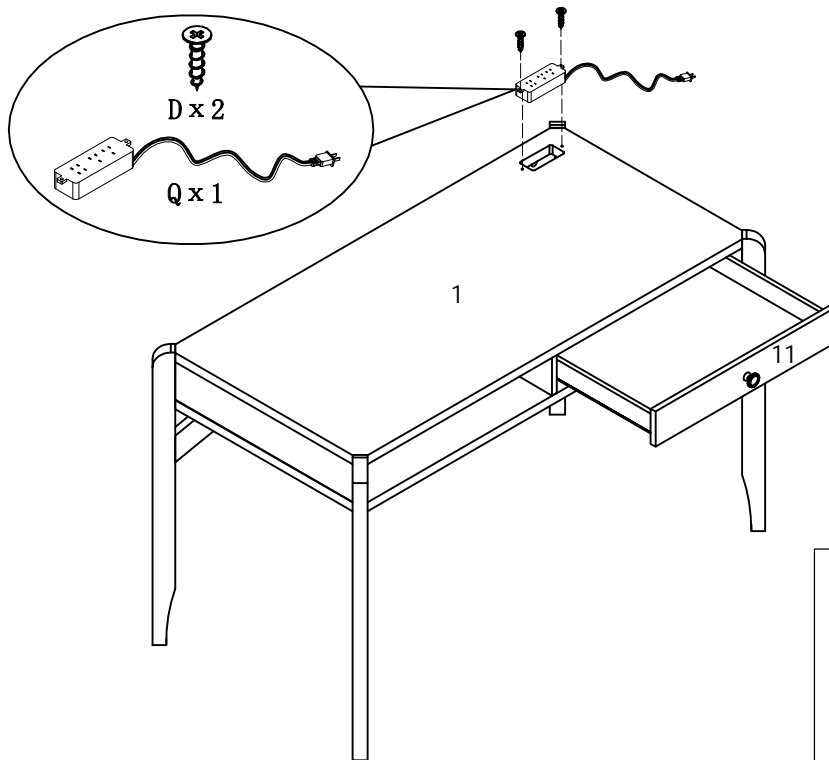
STEP 8



PAGE 7 OF 8

ASSEMBLY INSTRUCTION

ITEM#: 192625



STEP 9

STEP 10

