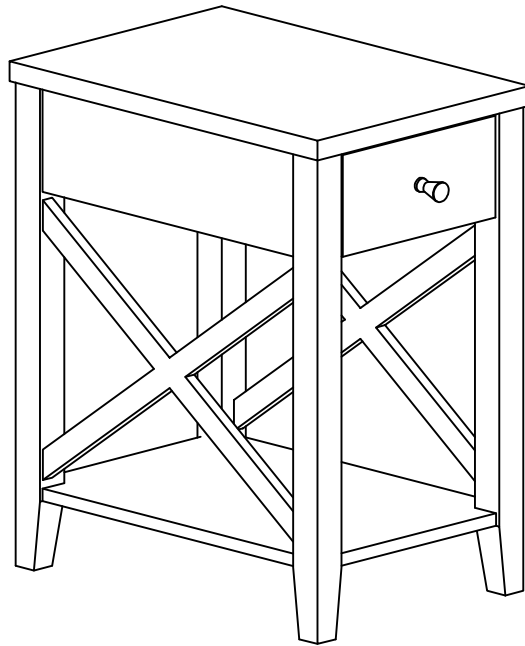


ASSEMBLY INSTRUCTION

ITEM#: 192630



ASSEMBLY INSTRUCTION

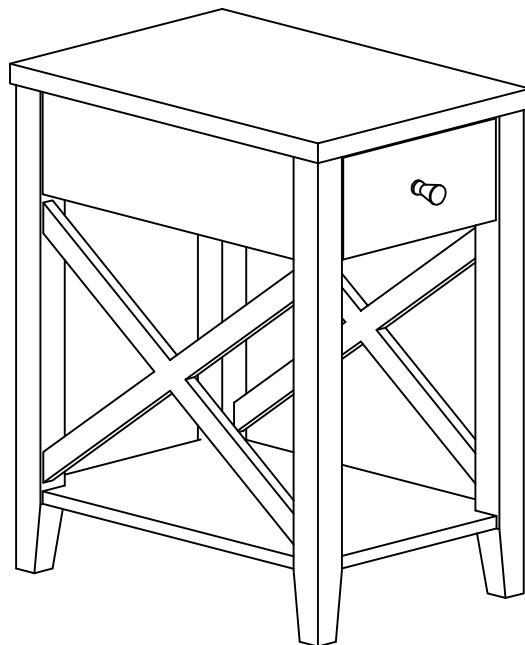
PLEASE READ BEFORE ASSEMBLING!

Tip #1: Make sure you've taken all the pieces and hardware out of its packaging before discarding the box.

Tip #2: Using page 2 and/or page 3 of instruction manual make sure all pieces and hardware are accounted for.

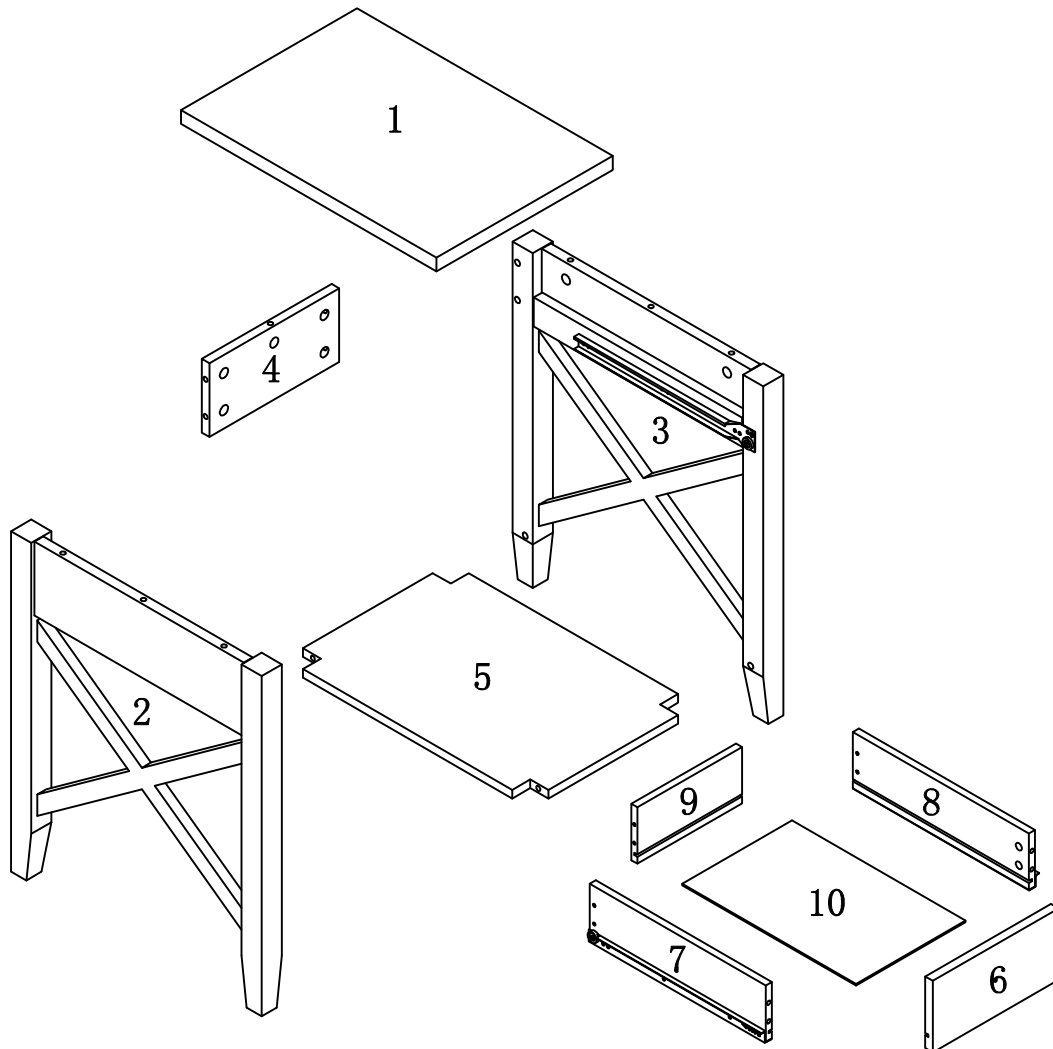
Tip #3: Read manual before assembling, it helps!

ITEM#: 192630



PARTS IDENTIFICATION





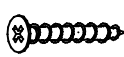
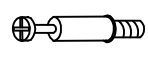



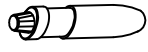
ITEM#: 192630



(1)	1pc	(8)	1pc
(2)	1pc	(9)	1pc
(3)	1pc	(10)	1pc
(4)	1pc		
(5)	1pc		
(6)	1pc		
(7)	1pc		

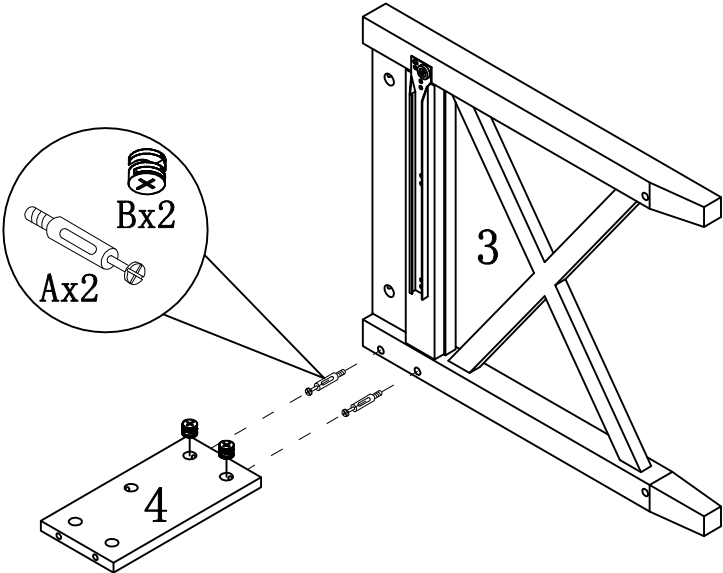
HARDWARE IDENTIFICATION

ITEM#: 192630

A		L29	13pcs
B		Ø15	13pcs
C		Ø8x25	2pcs
D		Ø16	4pcs
E		Ø4x30	4pcs
F		L20	4pcs
G		Ø12	4pcs
H			1pc
I		Ø4x20	1pc
J		Glue: For securing please apply to wood dowel first before inserting into panel	1pc

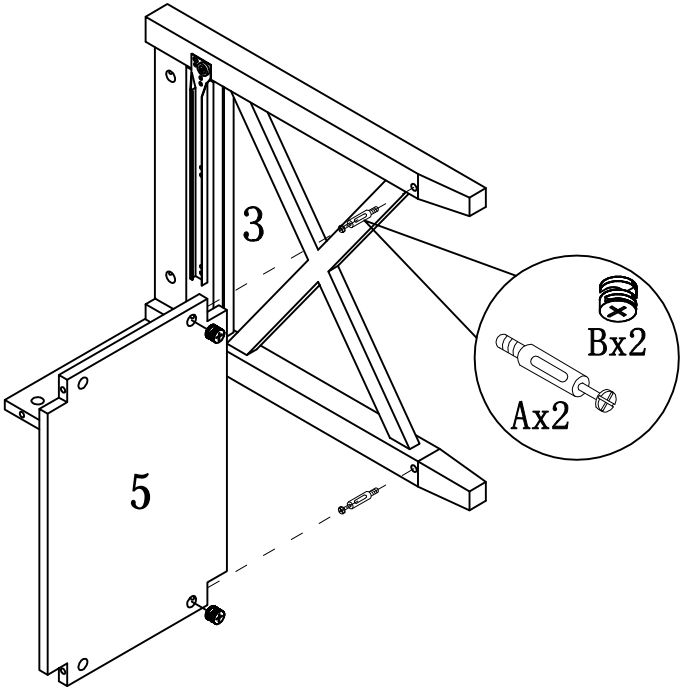
ASSEMBLY INSTRUCTION

ITEM#: 192630



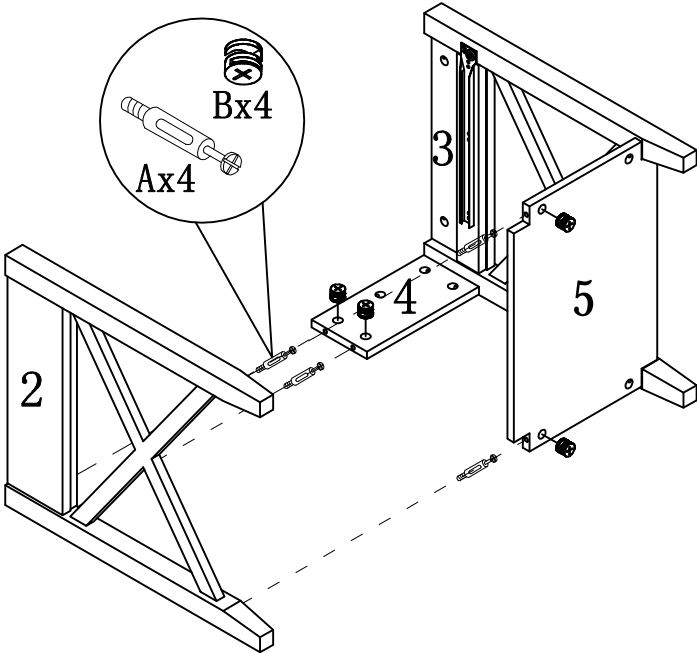
STEP 1

STEP 2



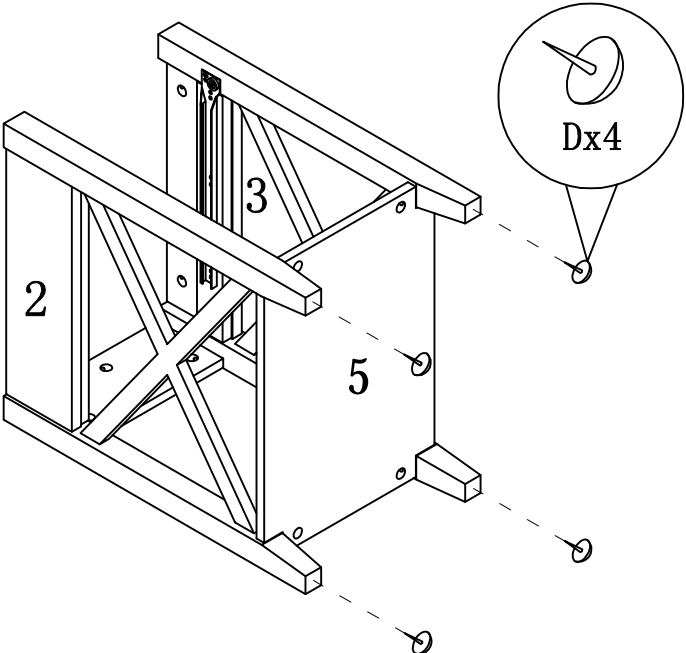
ASSEMBLY INSTRUCTION

ITEM#: 192630



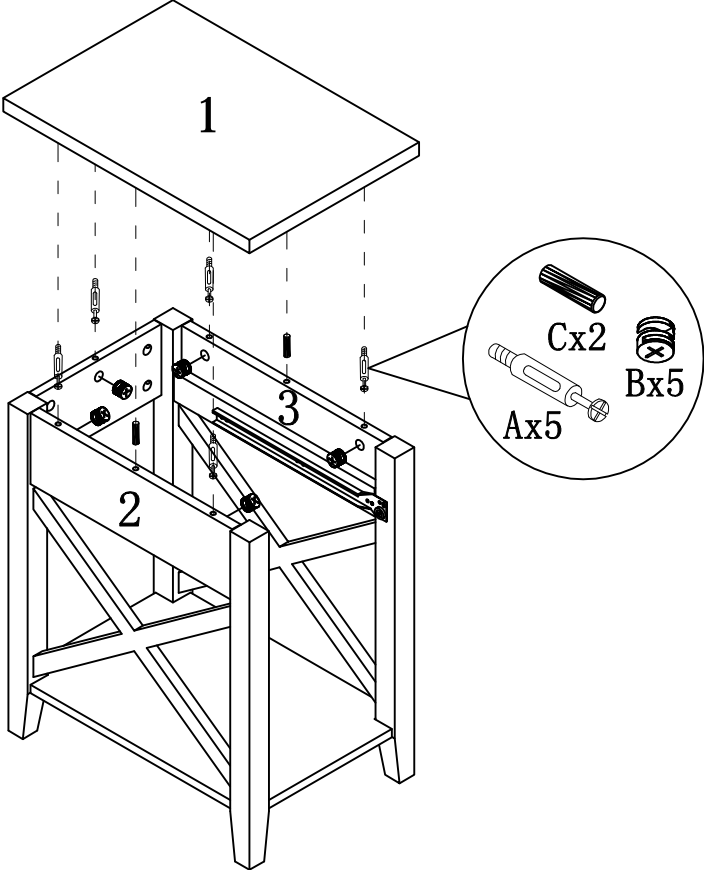
STEP3

STEP4



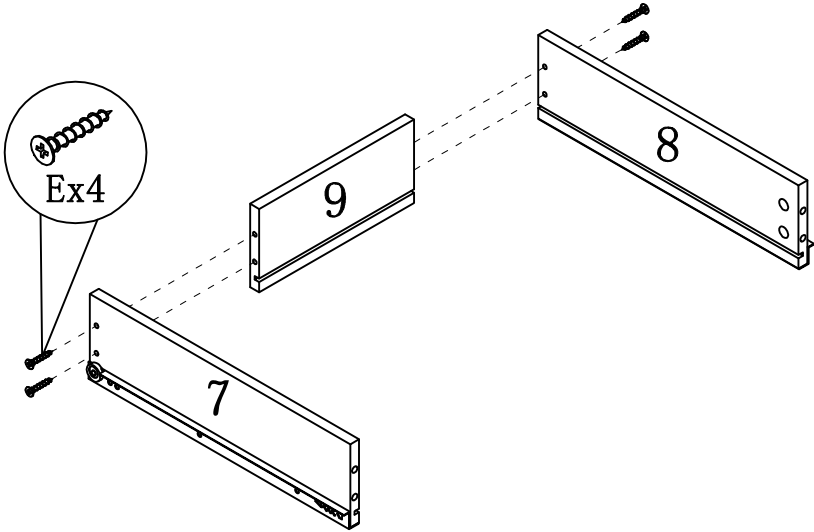
ASSEMBLY INSTRUCTION

ITEM#: 192630



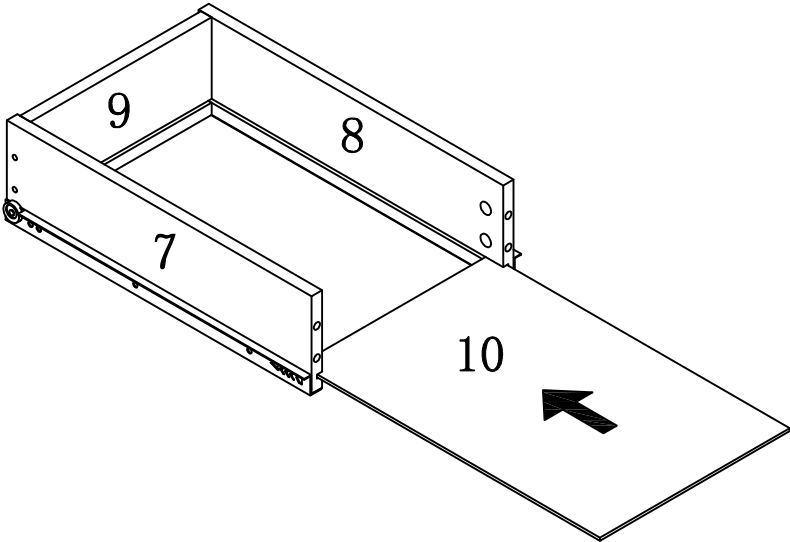
STEP5

STEP6



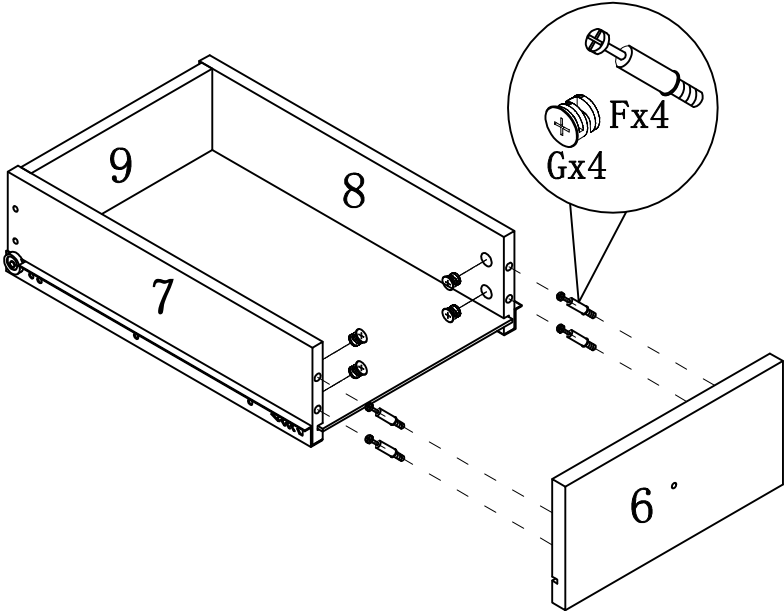
ASSEMBLY INSTRUCTION

ITEM#: 192630



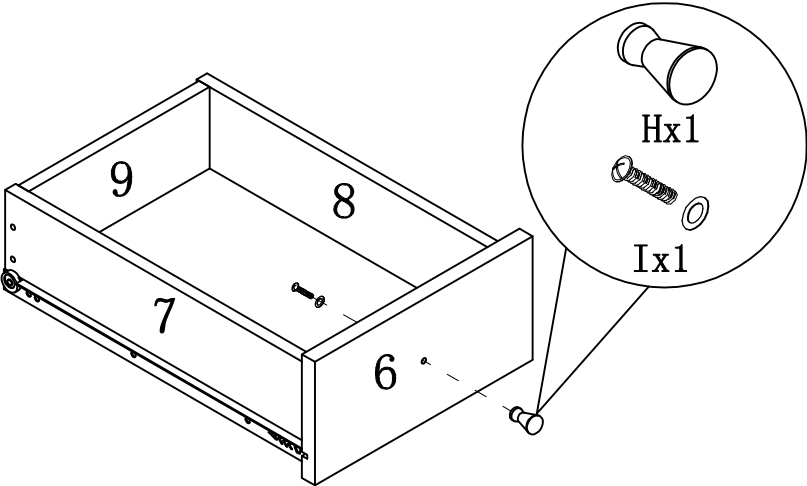
STEP7

STEP8



ASSEMBLY INSTRUCTION

ITEM#: 192630



STEP9

STEP10

