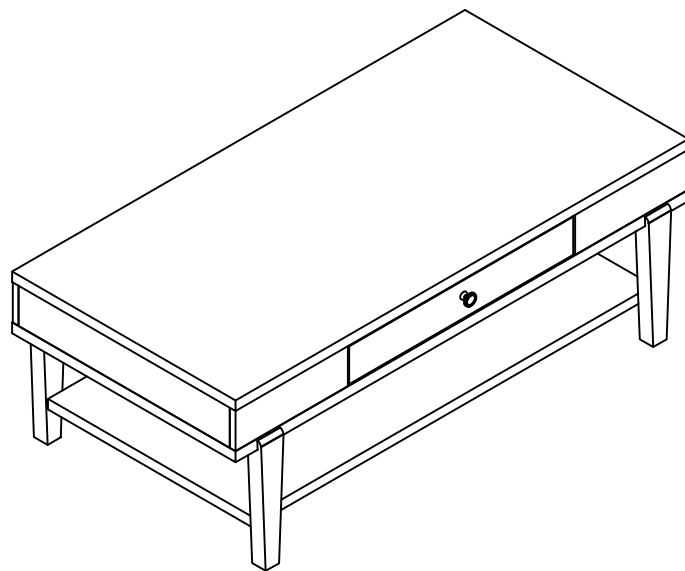


ASSEMBLY INSTRUCTION

ITEM#: 192632 CT



ASSEMBLY INSTRUCTION

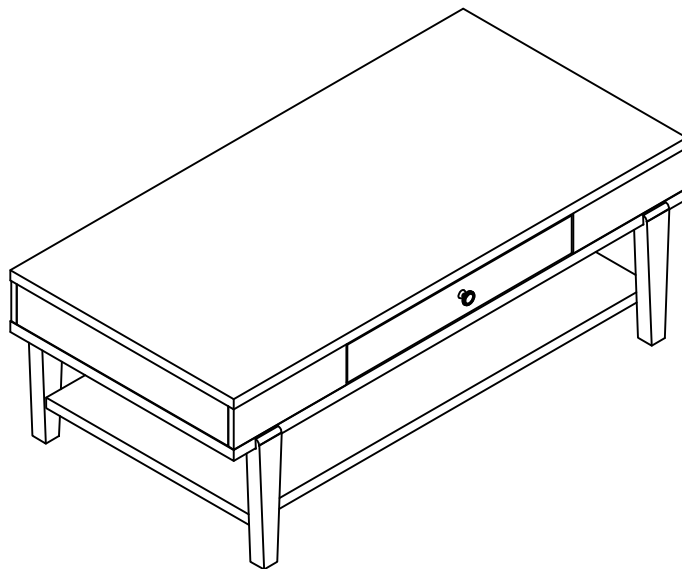
PLEASE READ BEFORE ASSEMBLING!

Tip #1: Make sure you've taken all the pieces and hardware out of its packaging before discarding the box.

Tip #2: Using page 2 and/or page 3 of instruction manual make sure all pieces and hardware are accounted for.

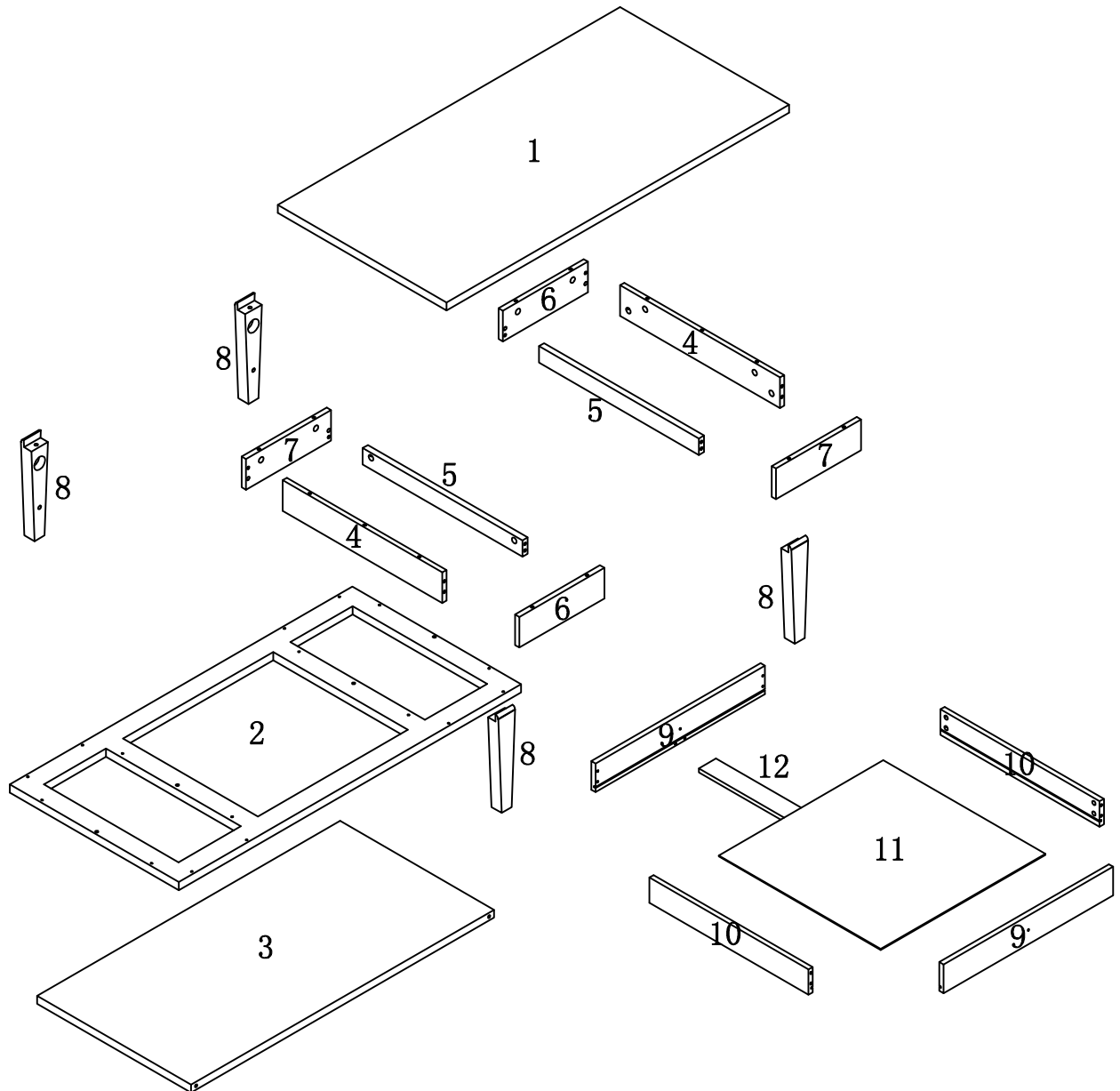
Tip #3: Read manual before assembling, it helps!

ITEM#: 192632 CT



PARTS IDENTIFICATION




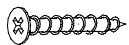

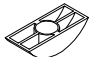
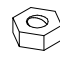


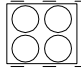

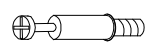





ITEM#: 192632 CT



(1)	1pc	(8)	4pcs
(2)	1pc	(9)	2pcs
(3)	1pc	(10)	2pcs
(4)	2pcs	(11)	1pc
(5)	2pcs	(12)	1pc
(6)	2pcs		
(7)	2pcs		

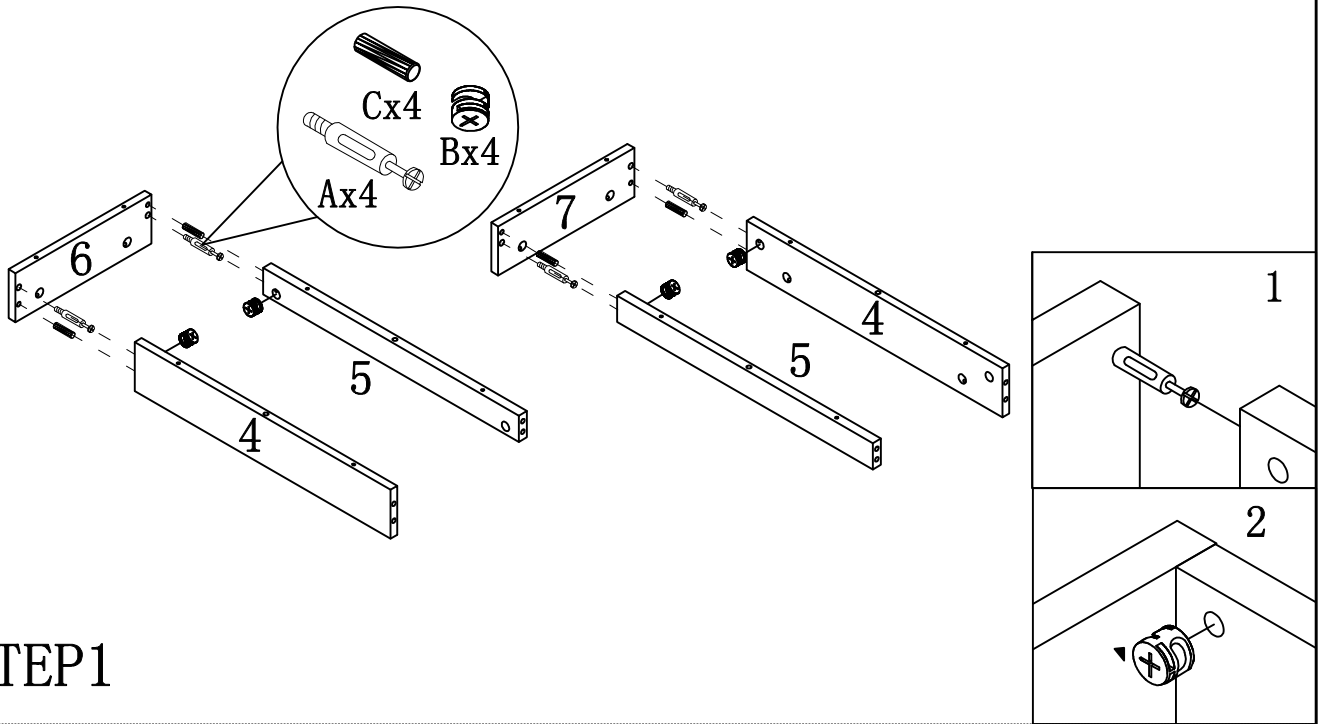
HARDWARE IDENTIFICATION

ITEM#: 192632 CT

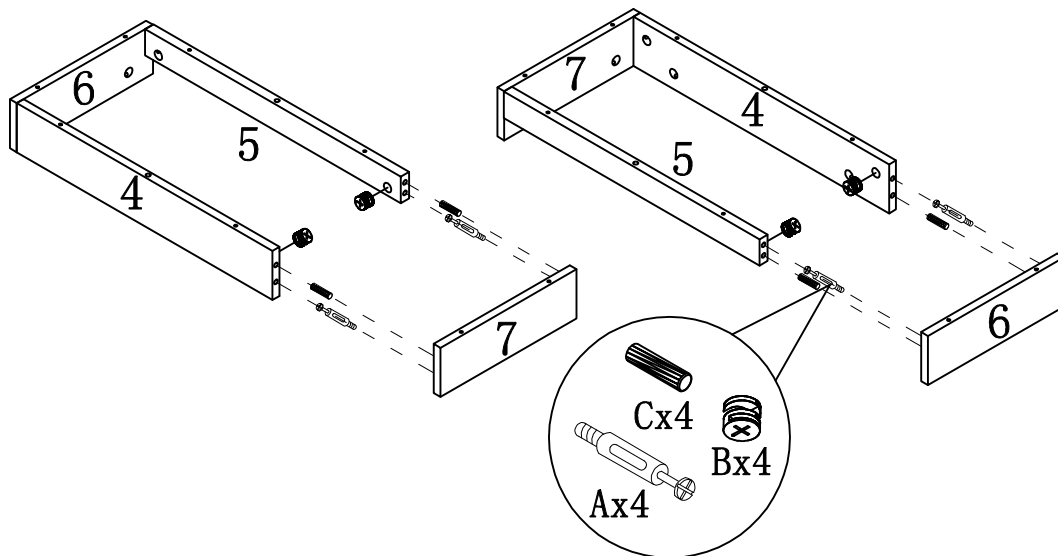
A		L29	24pcs
B		Ø15	24pcs
C		Ø8x25	14pcs
D		Ø4x40	16pcs
E		M8x70	4pcs
F		M8	4pcs
G		M8	4pcs
H		Ø8xØ16x2	4pcs
I		M13	1pc
J		Ø45	4pcs
K		Ø16	4pcs
L		L20	8pcs
M		Ø12	8pcs
N		Ø6x30	4pcs
O			2pcs
P		Ø4x20	2pcs
Q		Glue: For securing please apply to wood dowel first before inserting into panel	1pc

ASSEMBLY INSTRUCTION

ITEM#: 192632 CT

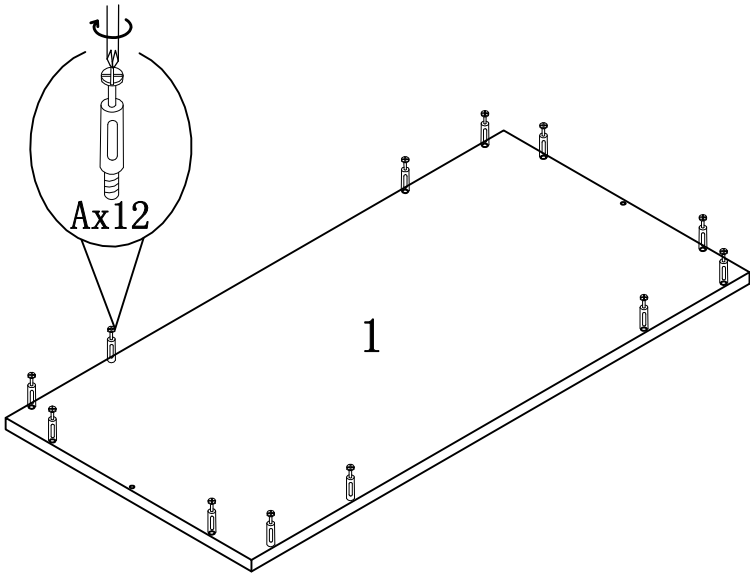


STEP 2



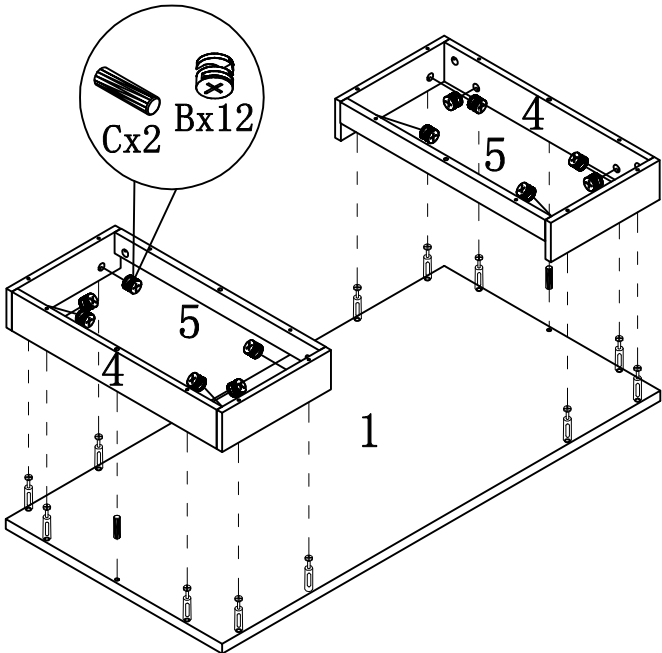
ASSEMBLY INSTRUCTION

ITEM#: 192632 CT



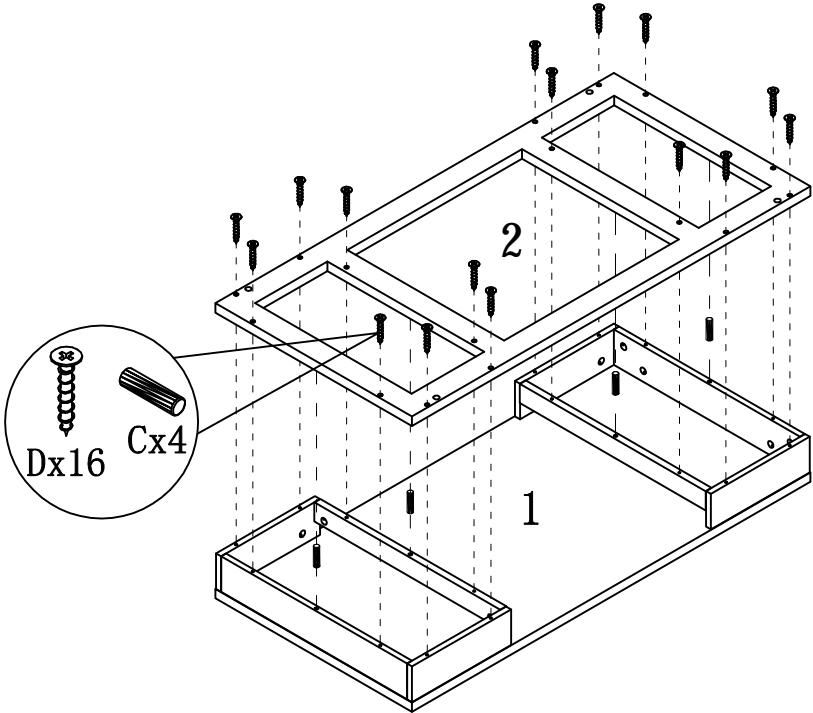
STEP3

STEP4



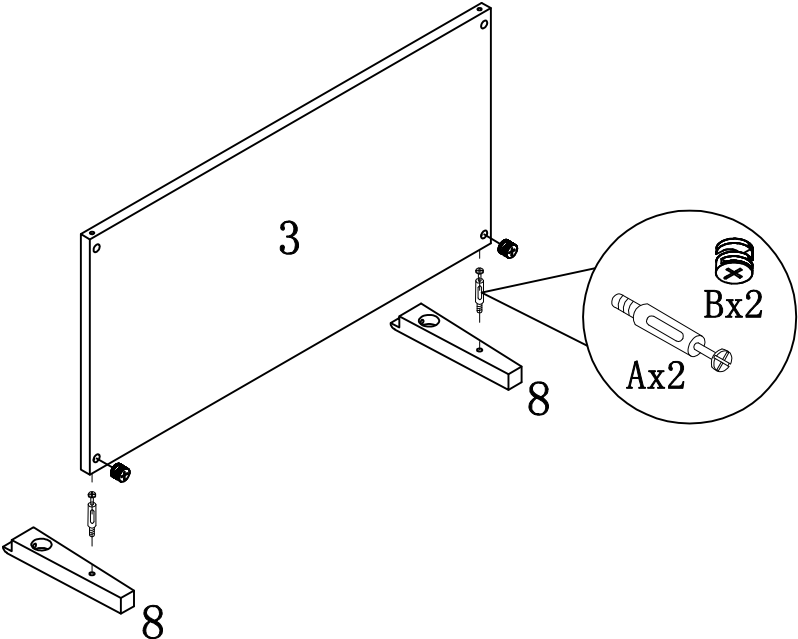
ASSEMBLY INSTRUCTION

ITEM#:192632 CT



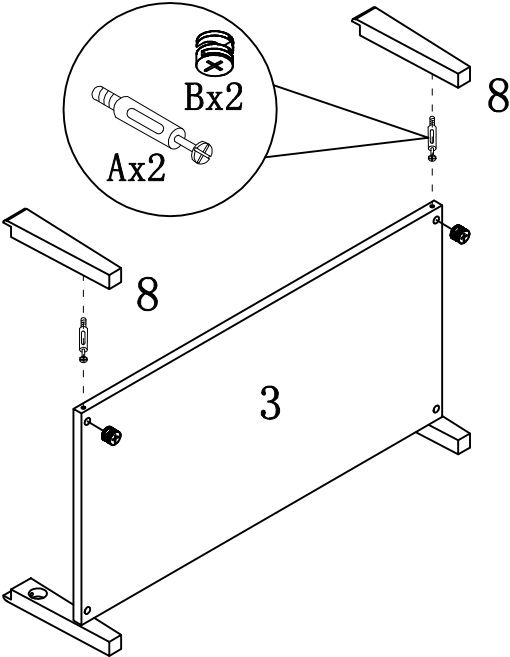
STEP5

STEP6



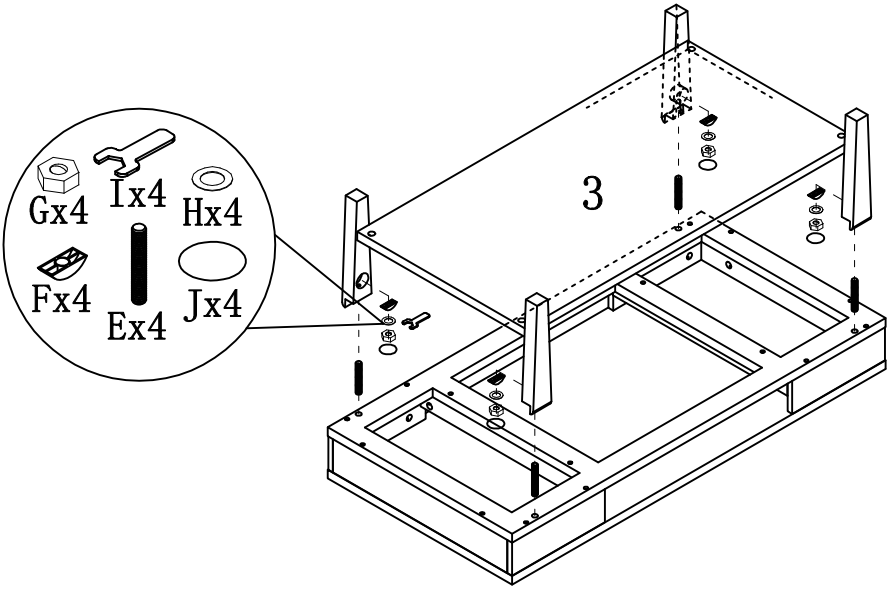
ASSEMBLY INSTRUCTION

ITEM#: 192632 CT



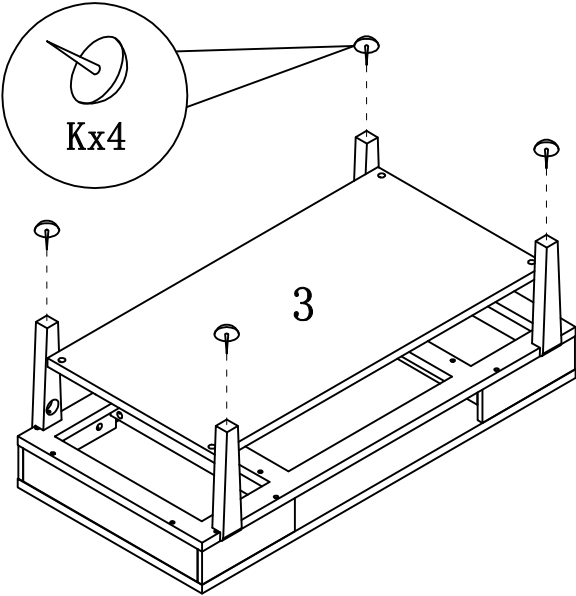
STEP7

STEP8



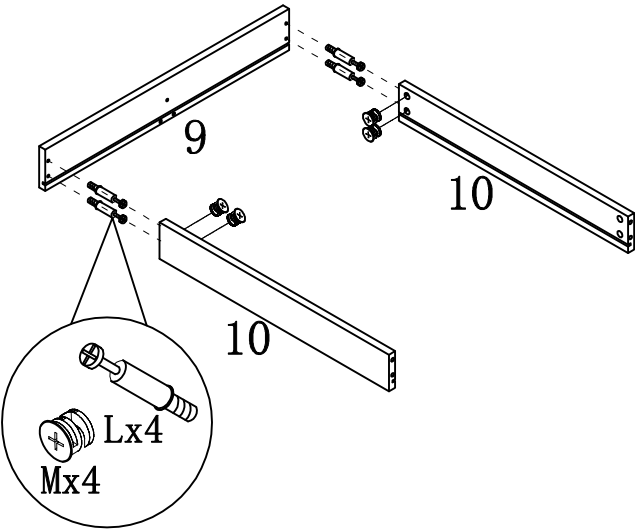
ASSEMBLY INSTRUCTION

ITEM#: 192632 CT



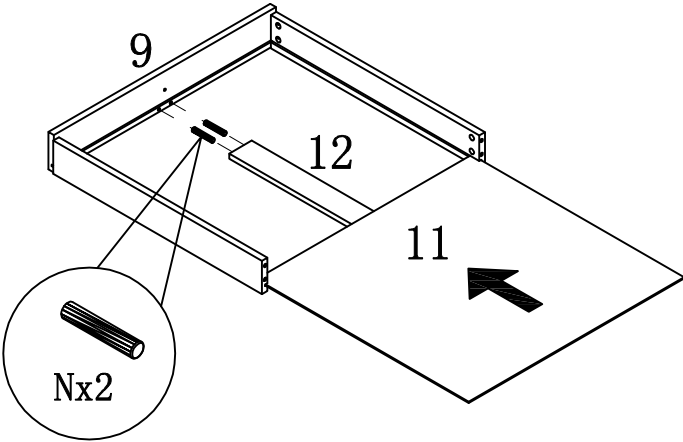
STEP9

STEP10



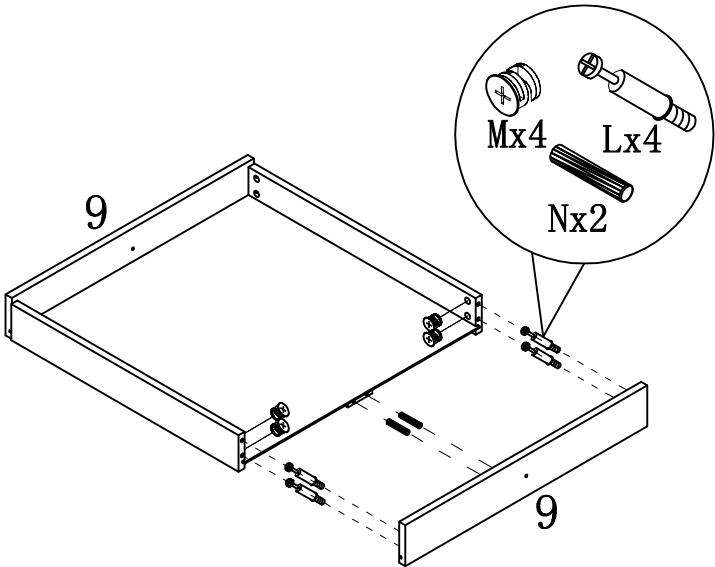
ASSEMBLY INSTRUCTION

ITEM#:192632 CT



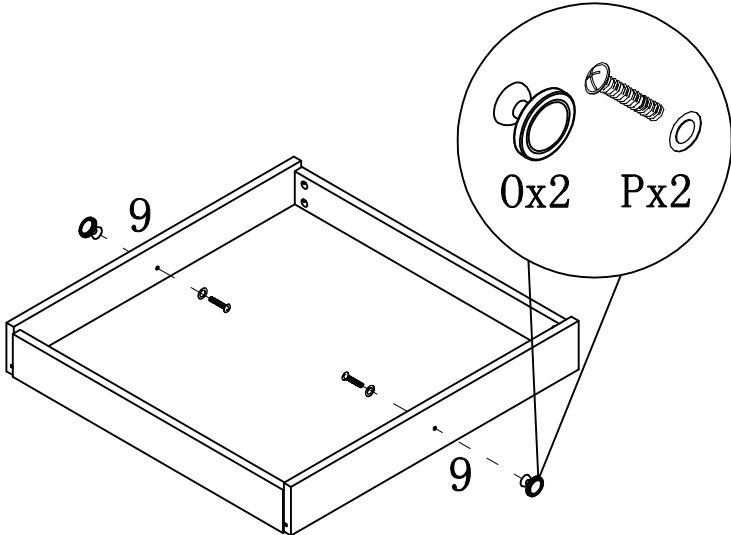
STEP11

STEP12



ASSEMBLY INSTRUCTION

ITEM#: 192632 CT



STEP 13

STEP 14

