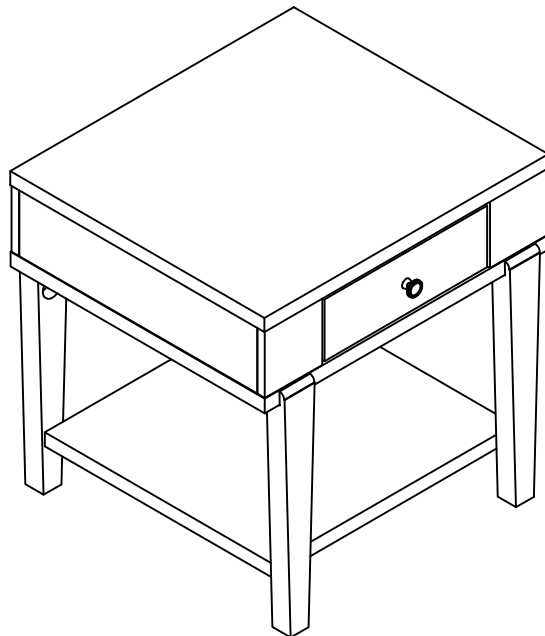


ASSEMBLY INSTRUCTION

ITEM#: 192632 ET



ASSEMBLY INSTRUCTION

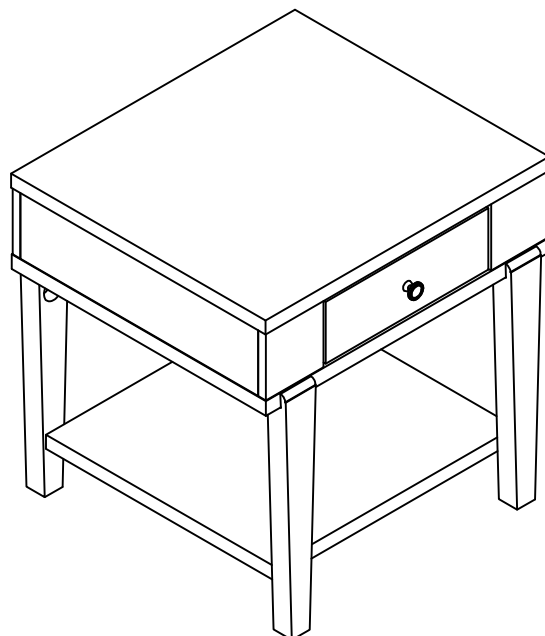
PLEASE READ BEFORE ASSEMBLING!

Tip #1: Make sure you've taken all the pieces and hardware out of its packaging before discarding the box.

Tip #2: Using page 2 and/or page 3 of instruction manual make sure all pieces and hardware are accounted for.

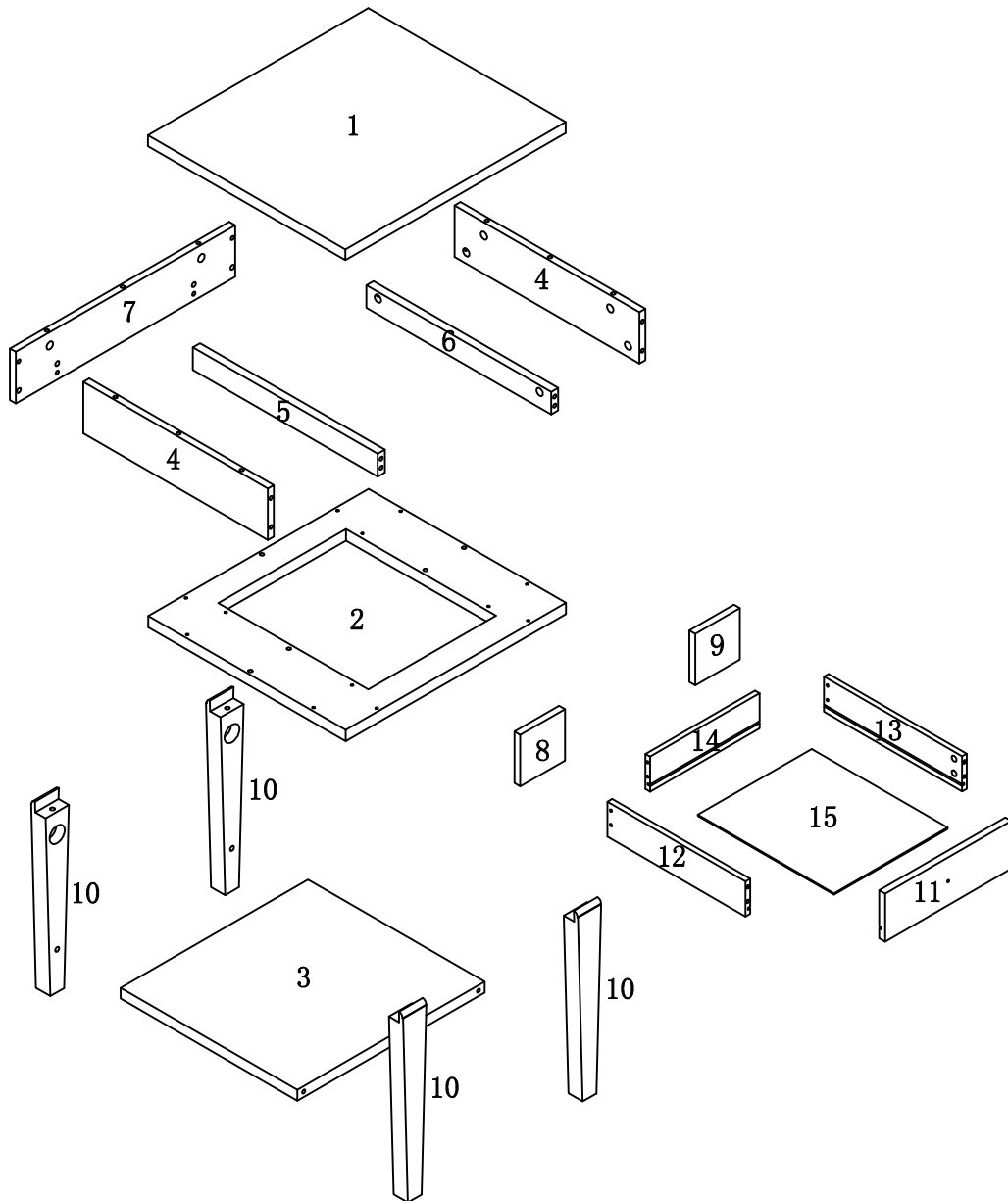
Tip #3: Read manual before assembling, it helps!

ITEM#: 192632 ET



PARTS IDENTIFICATION




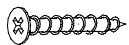

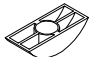
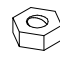


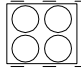

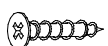
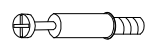



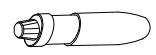
ITEM#:192632 ET



(1)	1pc	(8)	1pc
(2)	1pc	(9)	1pc
(3)	1pc	(10)	4pcs
(4)	2pcs	(11)	1pc
(5)	1pc	(12)	1pc
(6)	1pc	(13)	1pc
(7)	1pc	(14)	1pc

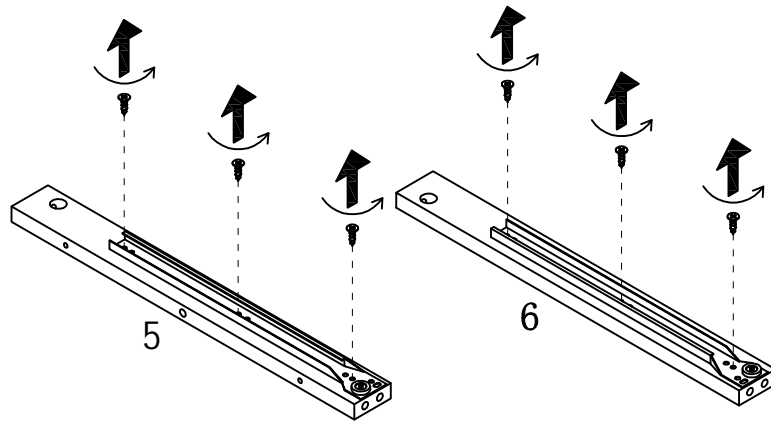
HARDWARE IDENTIFICATION

ITEM#: 192632 ET

A		L29	20pcs
B		Ø15	20pcs
C		Ø8x25	16pcs
D		Ø4x40	12pcs
E		M8x70	4pcs
F		M8	4pcs
G		M8	4pcs
H		Ø8xØ16x2	4pcs
I		M13	1pc
J		Ø45	4pcs
K		Ø16	4pcs
L		Ø4x30	4pcs
M		L20	4pcs
N		Ø12	4pcs
O			1pc
P		Ø4x20	1pc
Q		Glue: For securing please apply to wood dowel first before inserting into panel	1pc

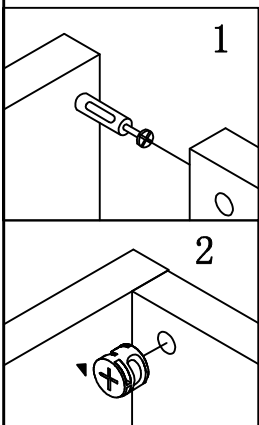
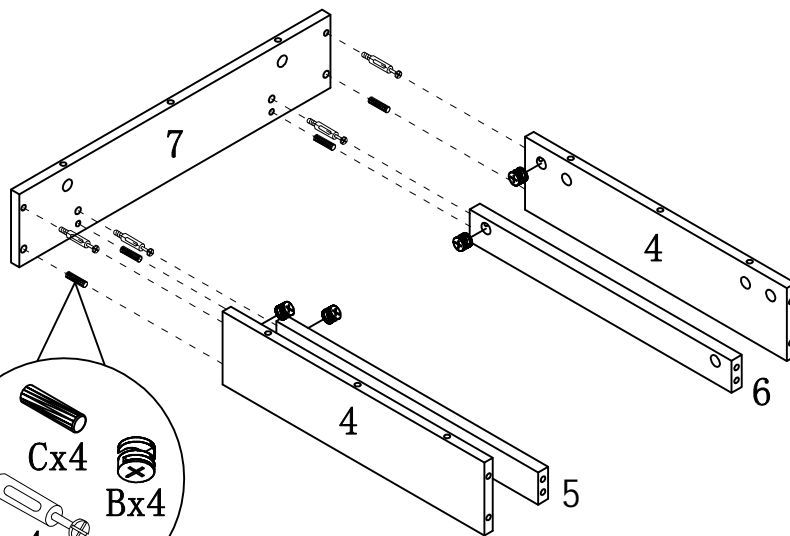
ASSEMBLY INSTRUCTION

ITEM#: 192632 ET



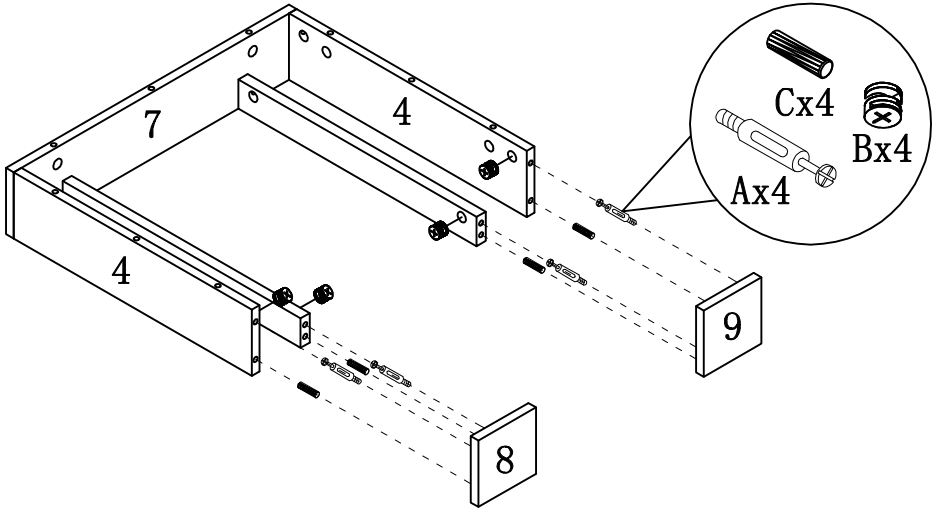
STEP 1

STEP 2



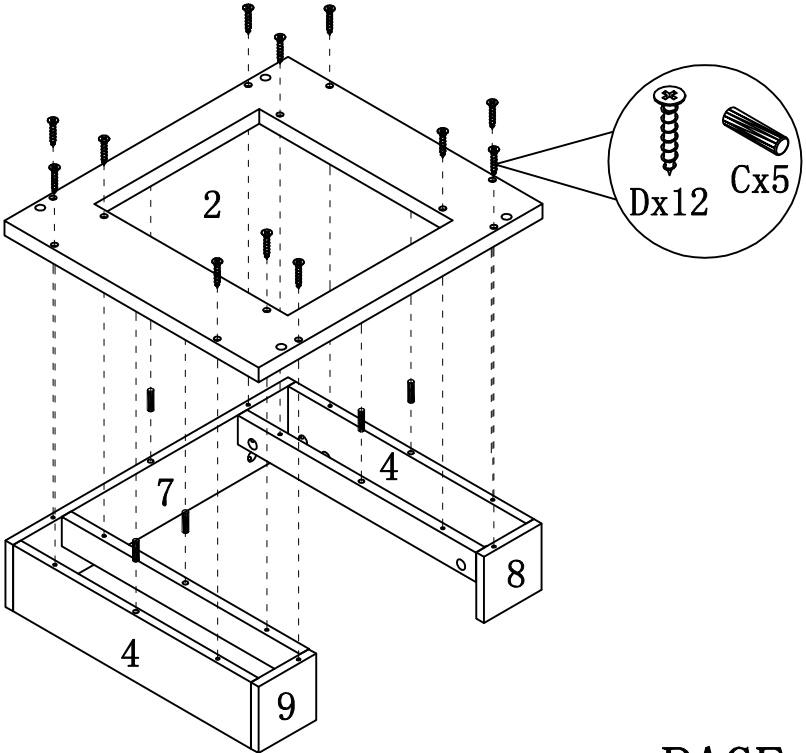
ASSEMBLY INSTRUCTION

ITEM#: 192632 ET



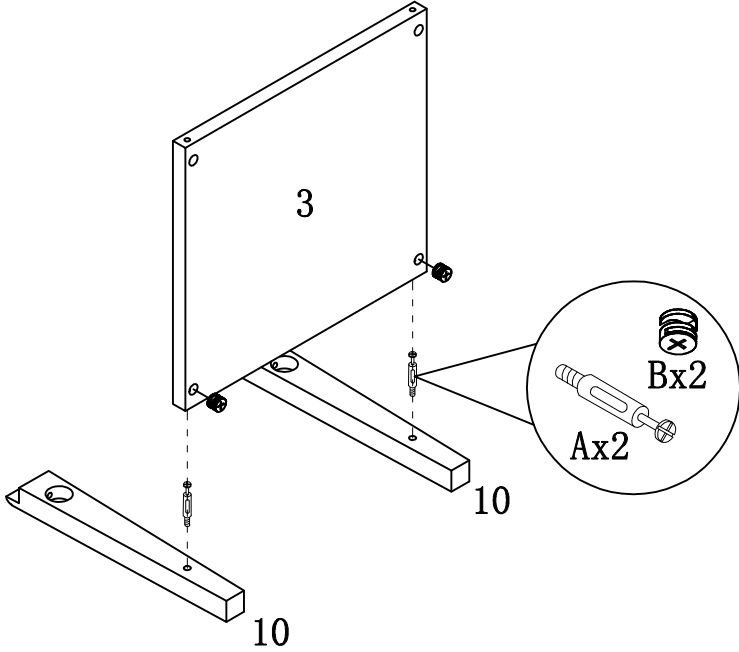
STEP3

STEP4



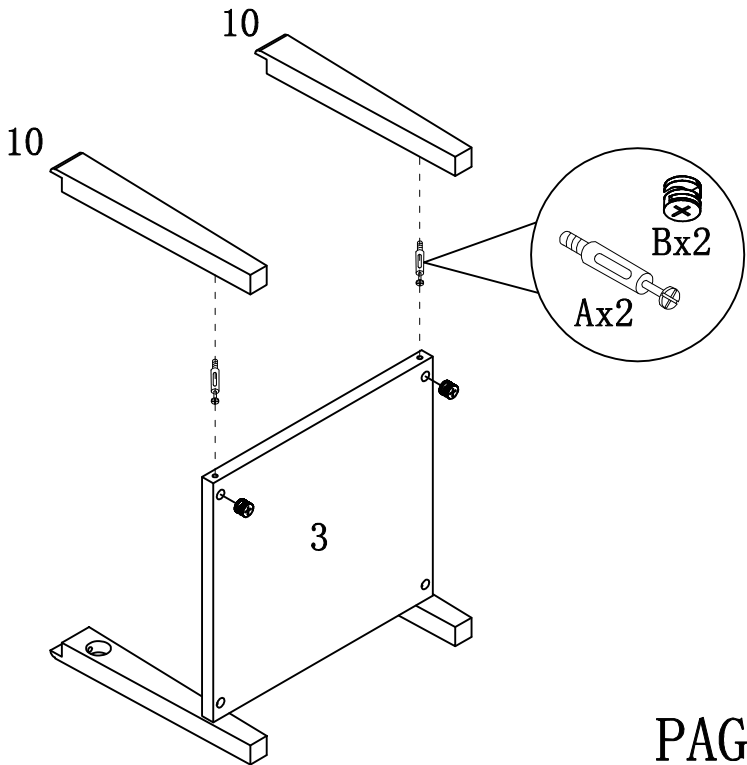
ASSEMBLY INSTRUCTION

ITEM#:192632 ET



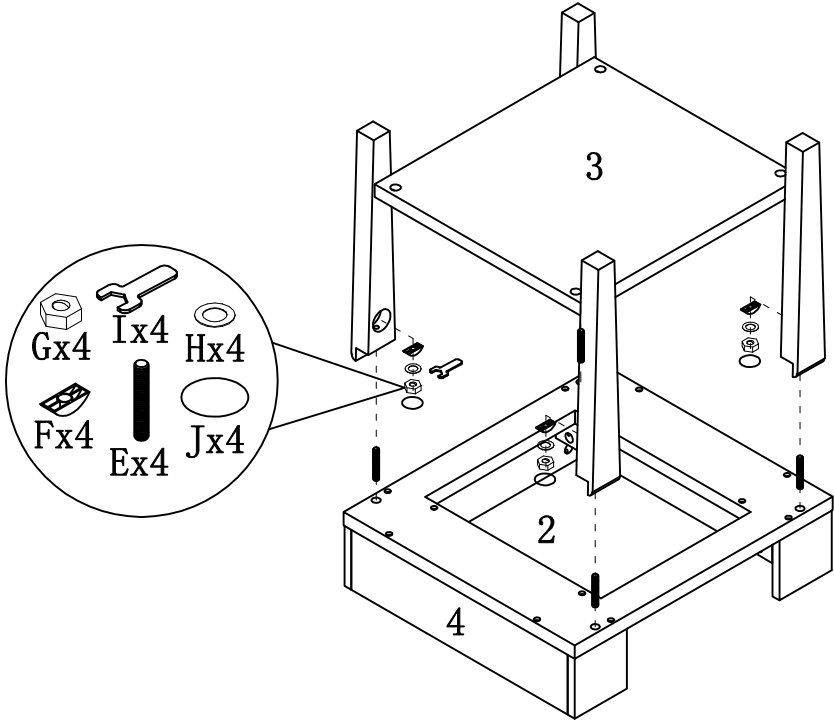
STEP5

STEP6



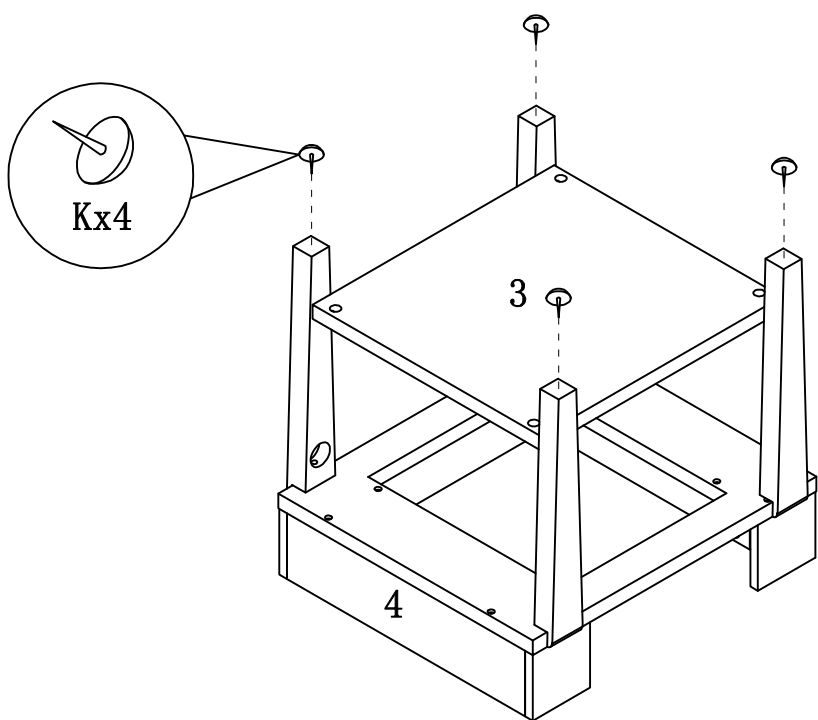
ASSEMBLY INSTRUCTION

ITEM#: 192632 ET



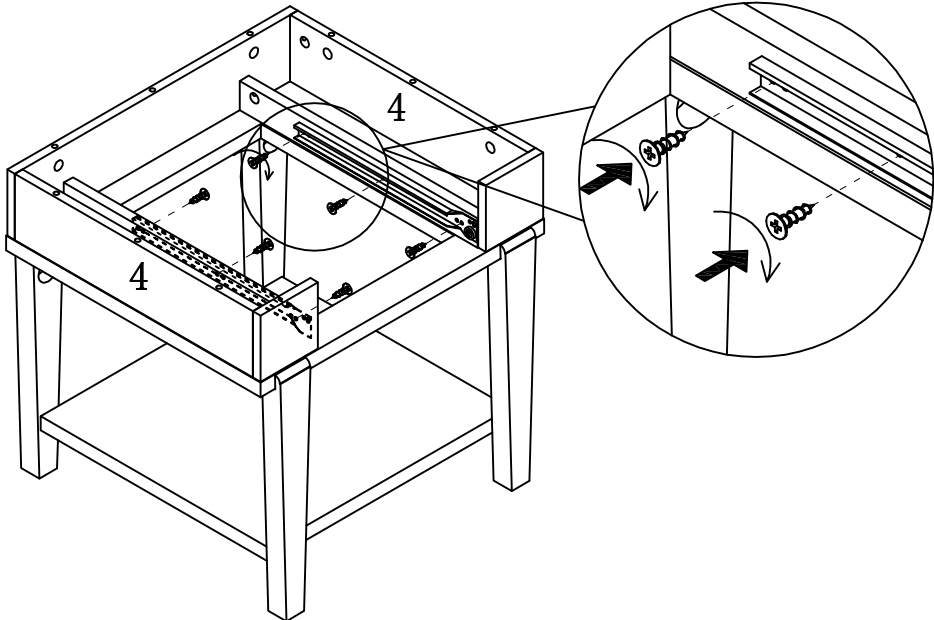
STEP 7

STEP 8



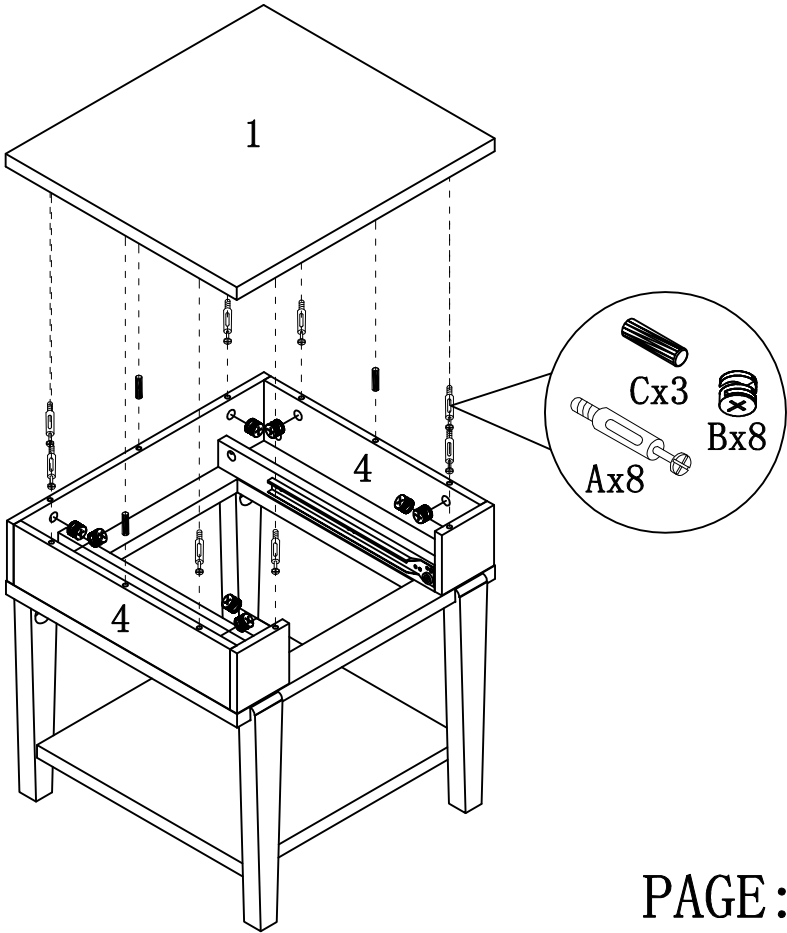
ASSEMBLY INSTRUCTION

ITEM#: 192632 ET



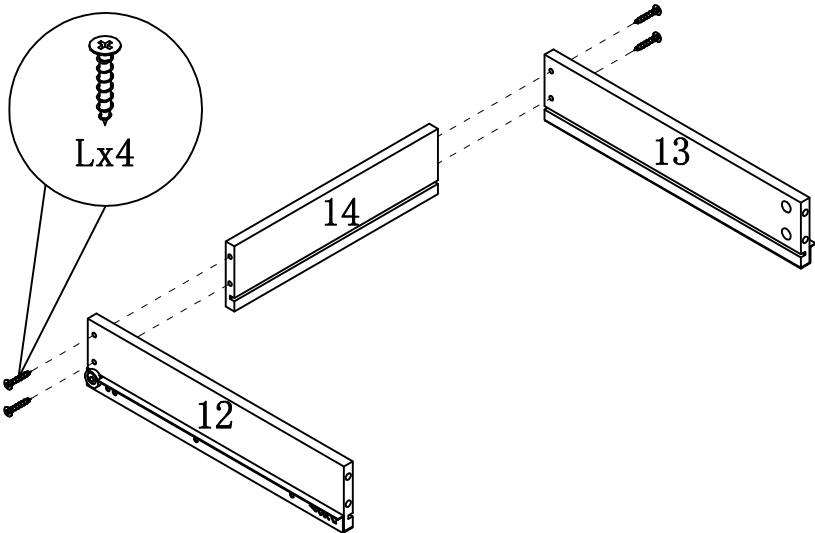
STEP9

STEP10



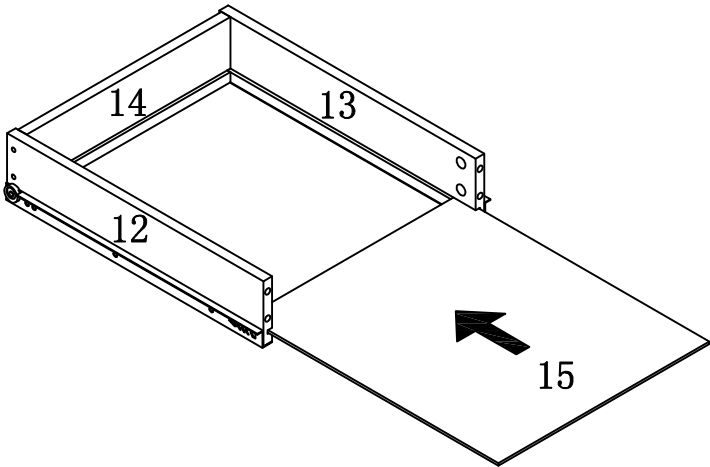
ASSEMBLY INSTRUCTION

ITEM#:192632 ET



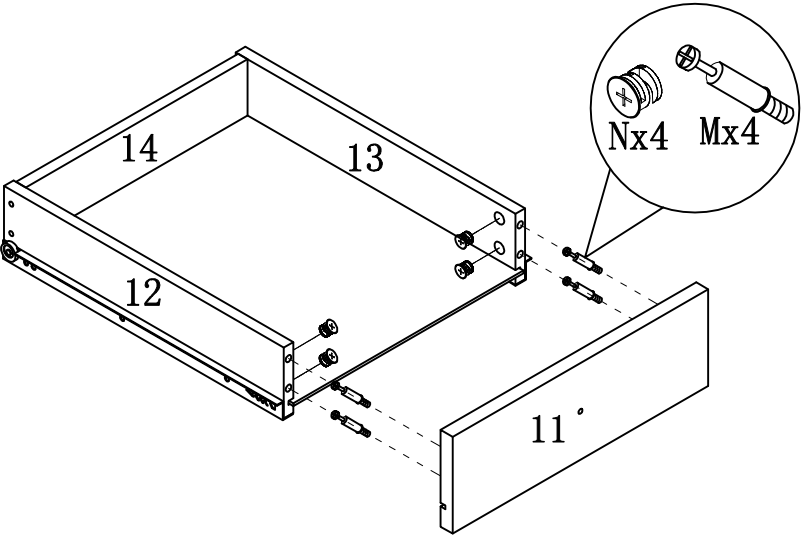
STEP11

STEP12



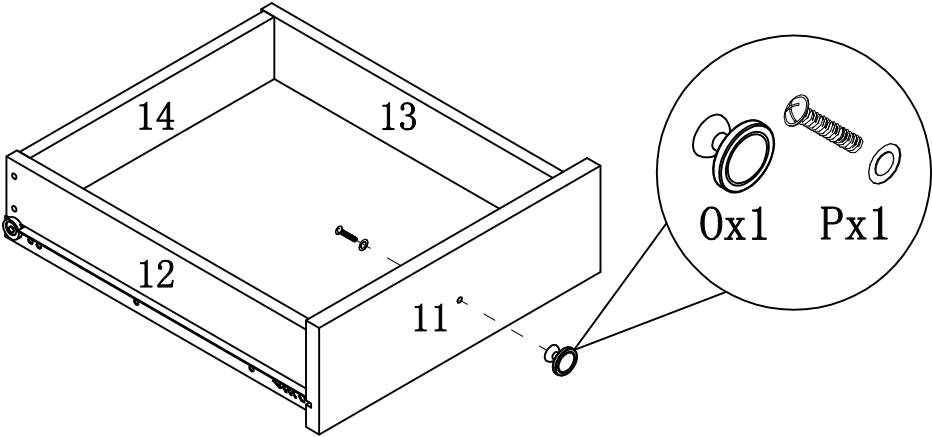
ASSEMBLY INSTRUCTION

ITEM#: 192632 ET



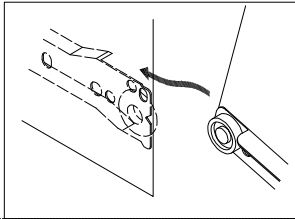
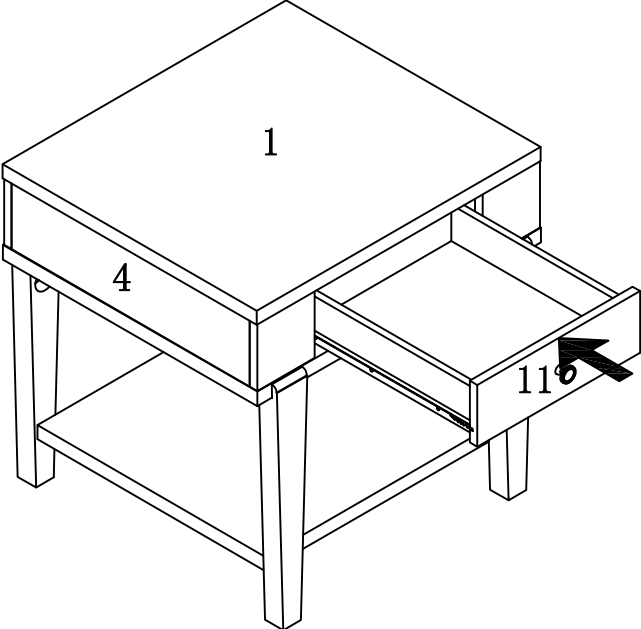
STEP 13

STEP 14



ASSEMBLY INSTRUCTION

ITEM#: 192632 ET



STEP 15

STEP 16

