

# ASSEMBLY INSTRUCTION

---

## PLEASE READ BEFORE ASSEMBLING!

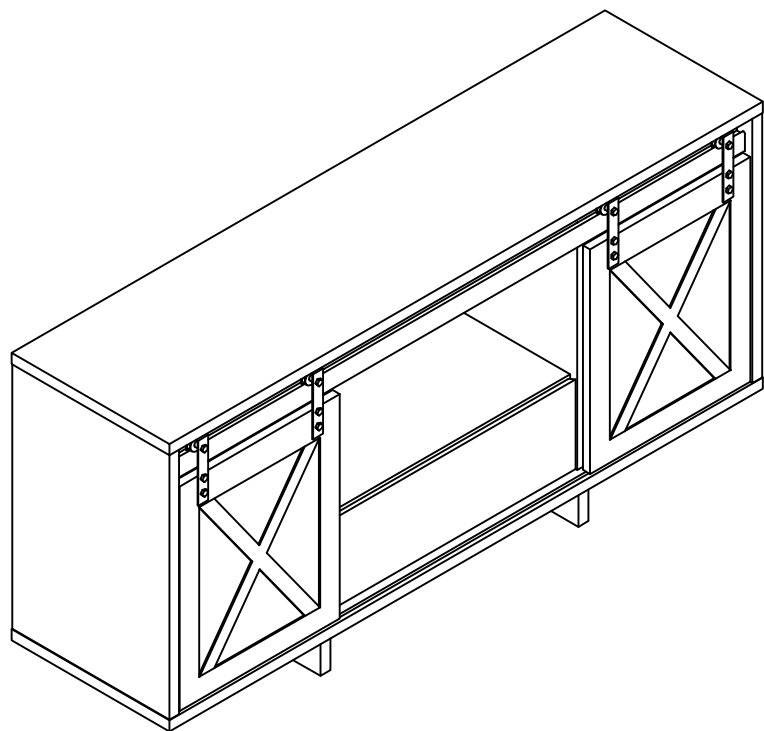
Tip #1: Make sure you've taken all the pieces and hardware out of its packaging before discarding the box.

Tip #2: Using page 2 and/or page 3 of instruction manual make sure all pieces and hardware are accounted for.

Tip #3: Read manual before assembling, it helps!

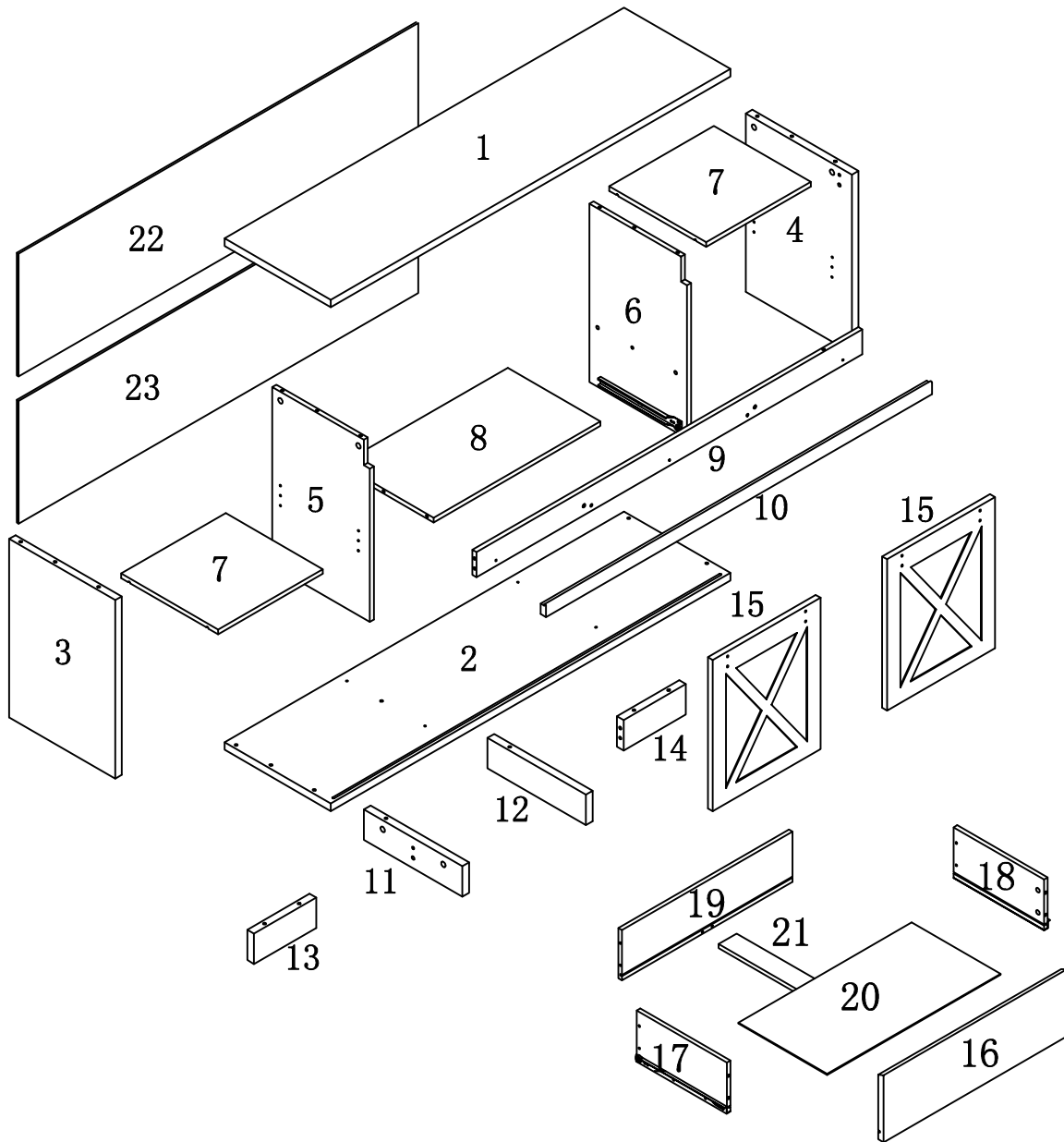
ITEM#: 192641

Need some help?  
Scan here for  
assembly video.



# PARTS IDENTIFICATION


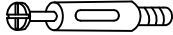


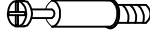

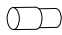




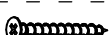
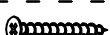

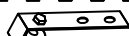





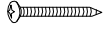
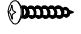

ITEM#: 192641



(1)	1pc	(9)	1pc	(17)	1pc
(2)	1pc	(10)	1pc	(18)	1pc
(3)	1pc	(11)	1pc	(19)	1pc
(4)	1pc	(12)	1pc	(20)	1pc
(5)	1pc	(13)	1pc	(21)	1pc
(6)	1pc	(14)	1pc	(22)	1pc
(7)	2pcs	(15)	2pcs	(23)	1pc
(8)	1pc	(16)	1pc		

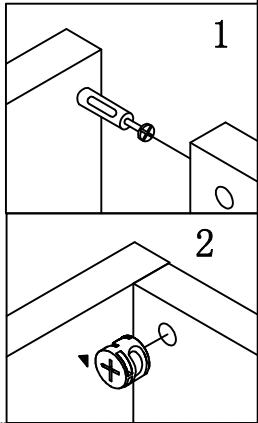
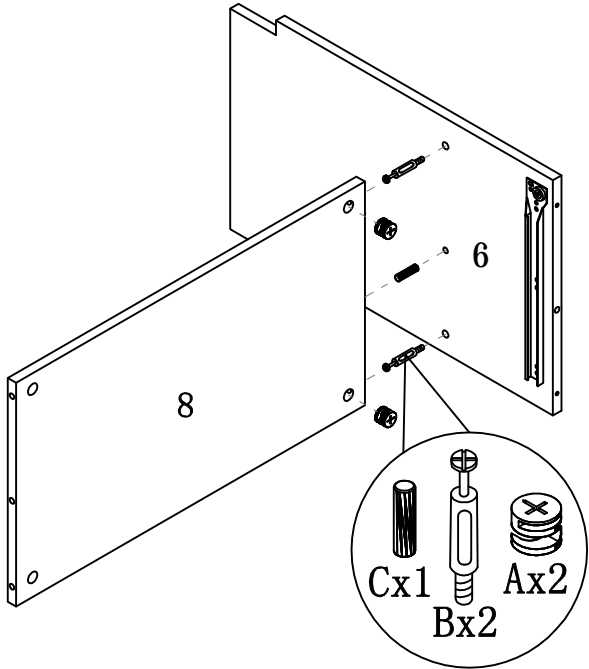
# HARDWARE IDENTIFICATION

ITEM#: 192641

A		Φ 15	25pcs
B		L29	25pcs
C		Φ 8x25	18pcs
D		Φ 12	4pcs
E		L20	4pcs
F		Φ 6x30	6pcs
H		Φ 5x15	8pcs
I		M6x25	8pcs
J		M6	8pcs
K		Φ 16	6pcs
L		M10	2pcs
M		Φ 4x30	9pcs
N		Φ 4x40	6pcs
P			45pcs
Q		TMJ9	4pcs
R		φ 7 x 48	4pcs
S		φ8Xφ16X2	4pcs
T		197x5x1	1pcs
U		Φ 8x40	1pcs
V		12x12x1	2pcs
W		Φ 5x40	1pc
X		Φ 4x25	1pc
Y		Glue: For securing please apply to wood dowel first before inserting into panel	1pc

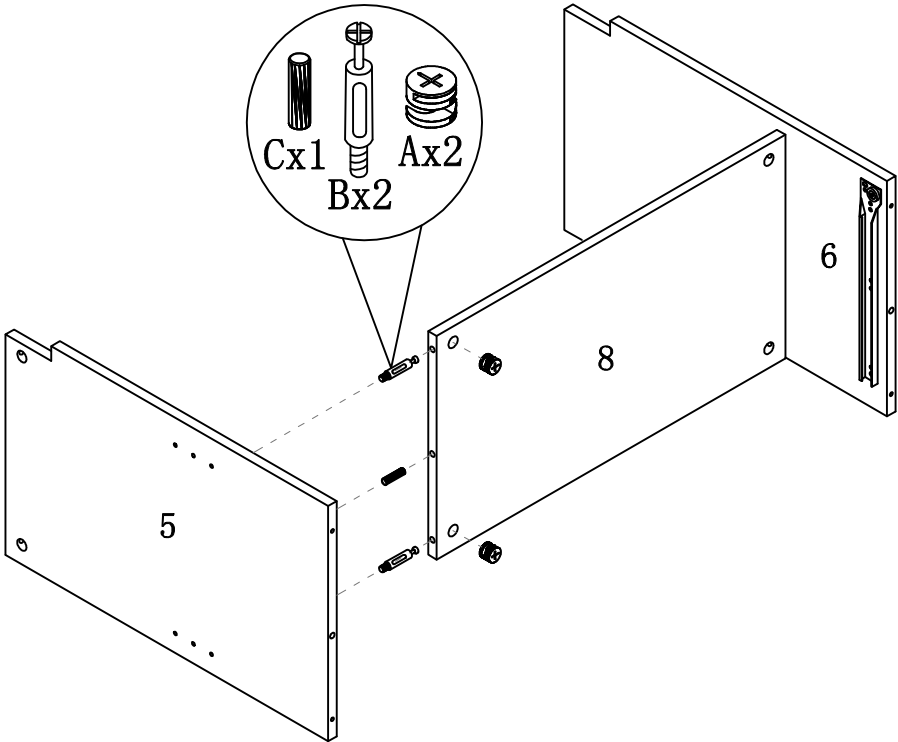
# ASSEMBLY INSTRUCTION

ITEM#: 192641



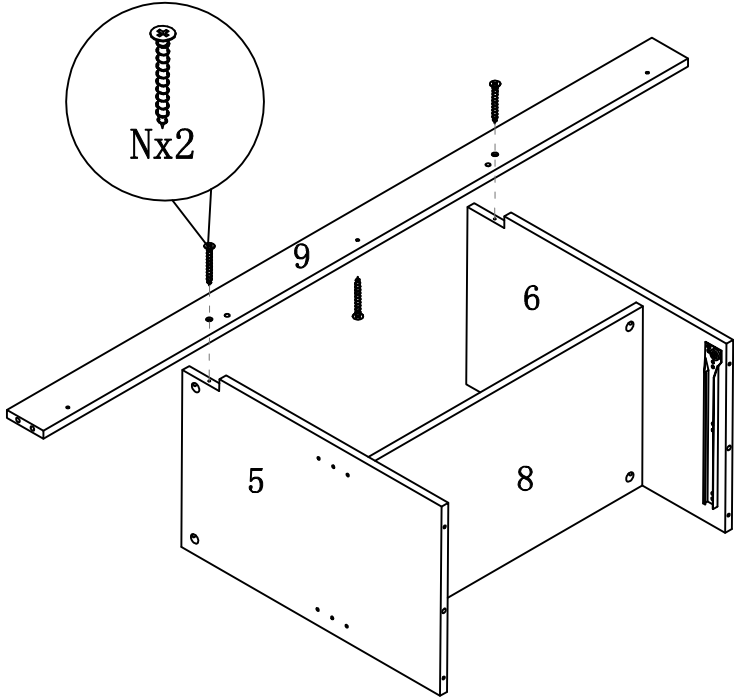
STEP 1

STEP 2



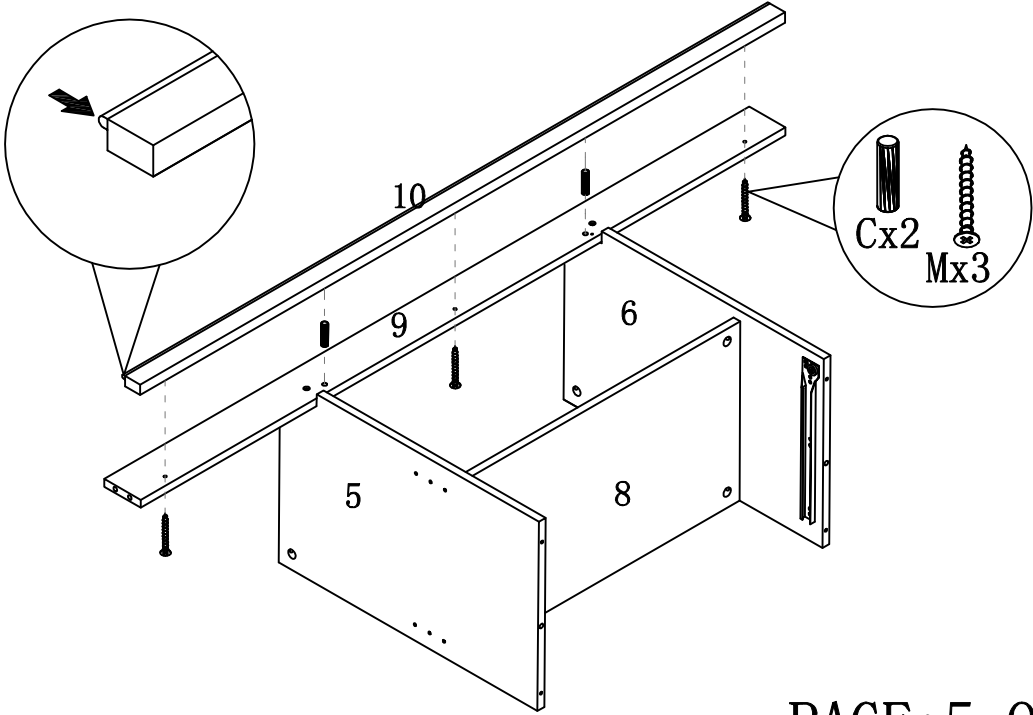
# ASSEMBLY INSTRUCTION

ITEM#: 192641



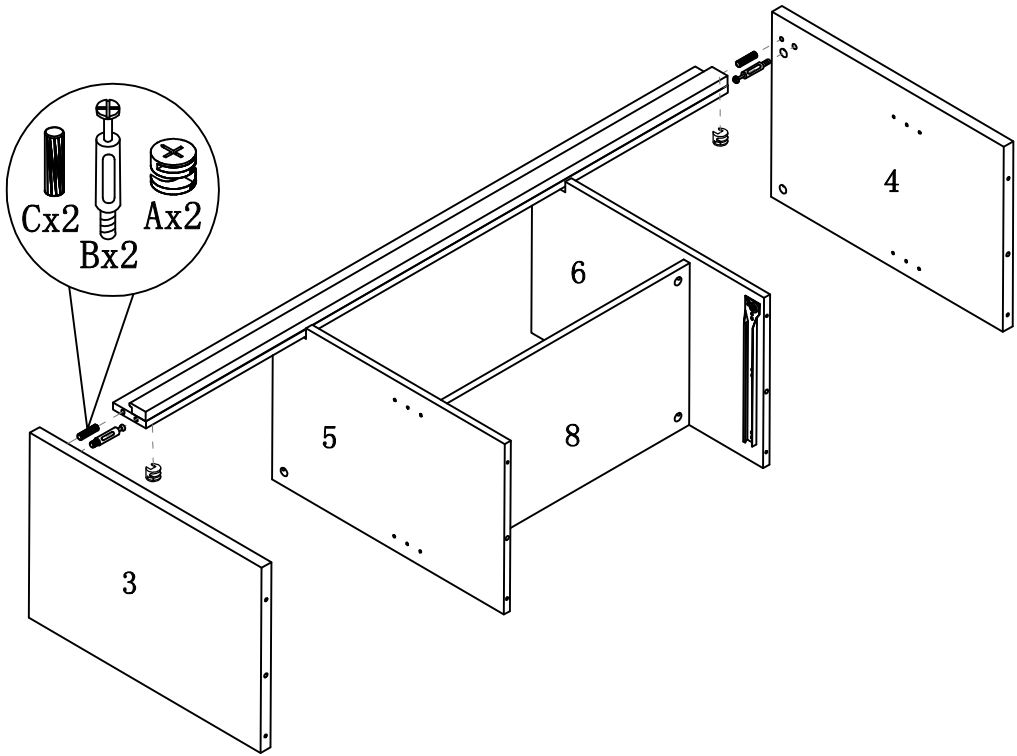
STEP 3

STEP 4



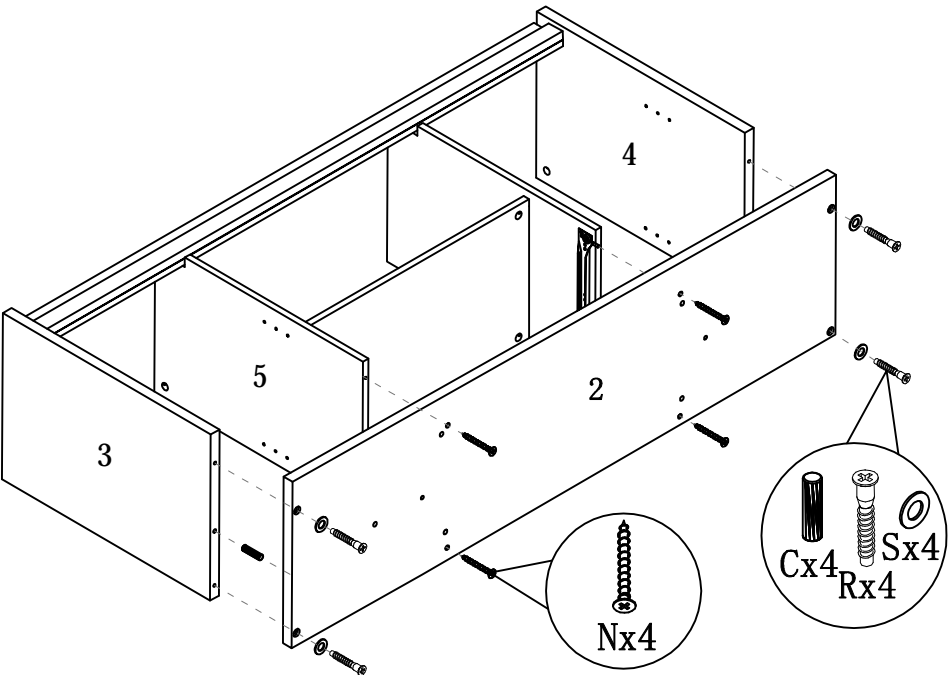
# ASSEMBLY INSTRUCTION

ITEM#: 192641



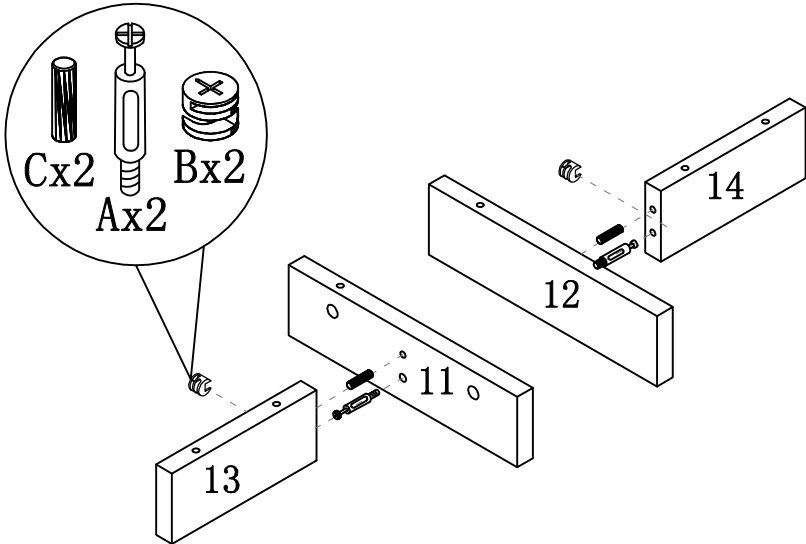
STEP5

STEP6



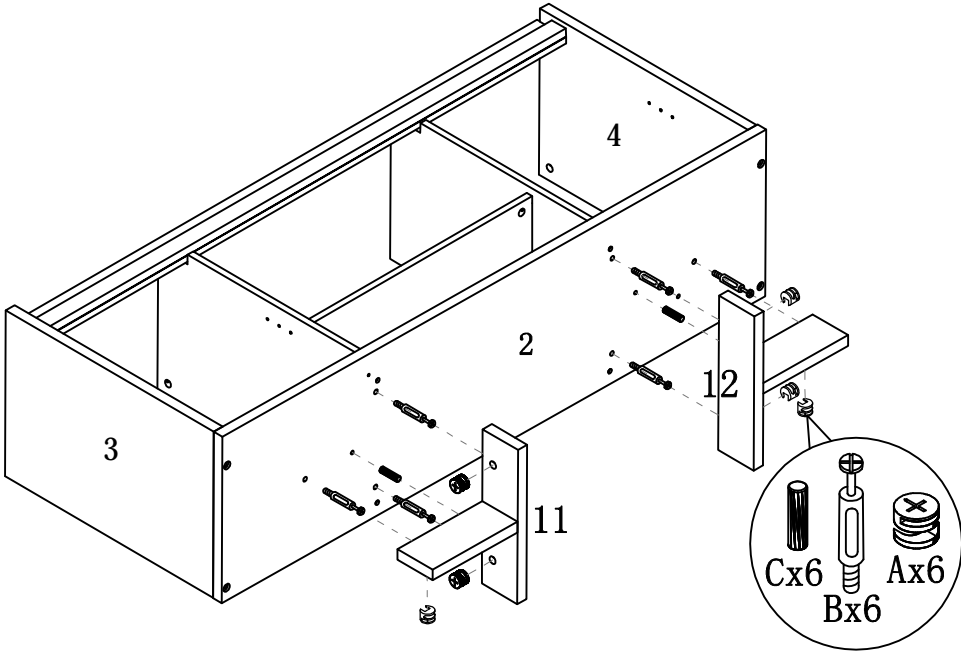
# ASSEMBLY INSTRUCTION

ITEM#: 192641



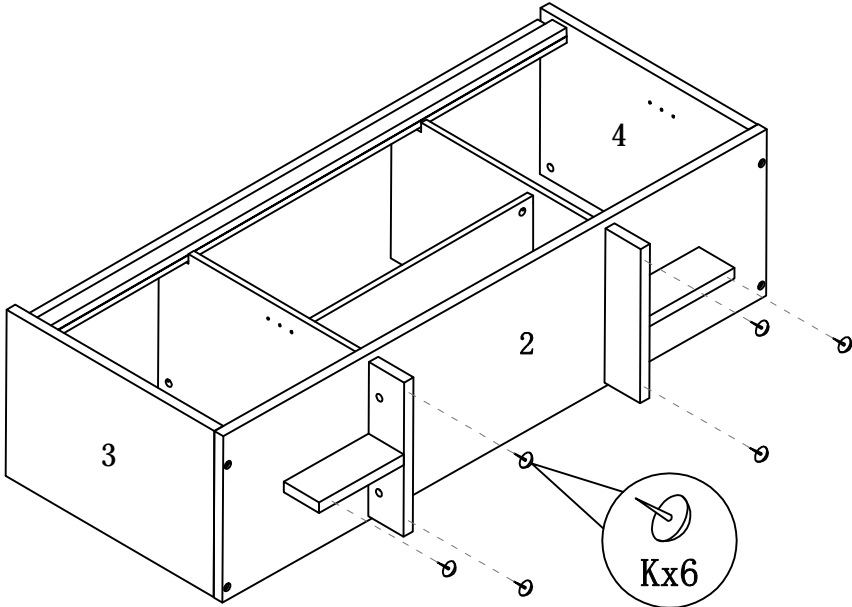
STEP7

STEP8



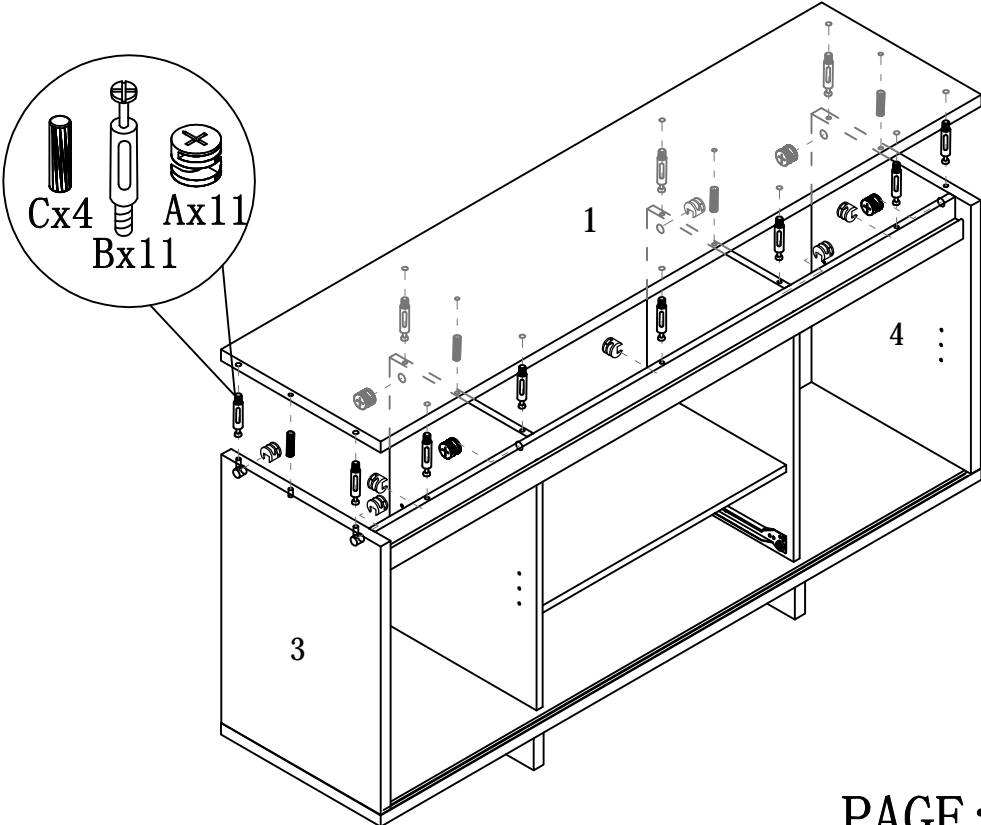
# ASSEMBLY INSTRUCTION

ITEM#: 192641



STEP9

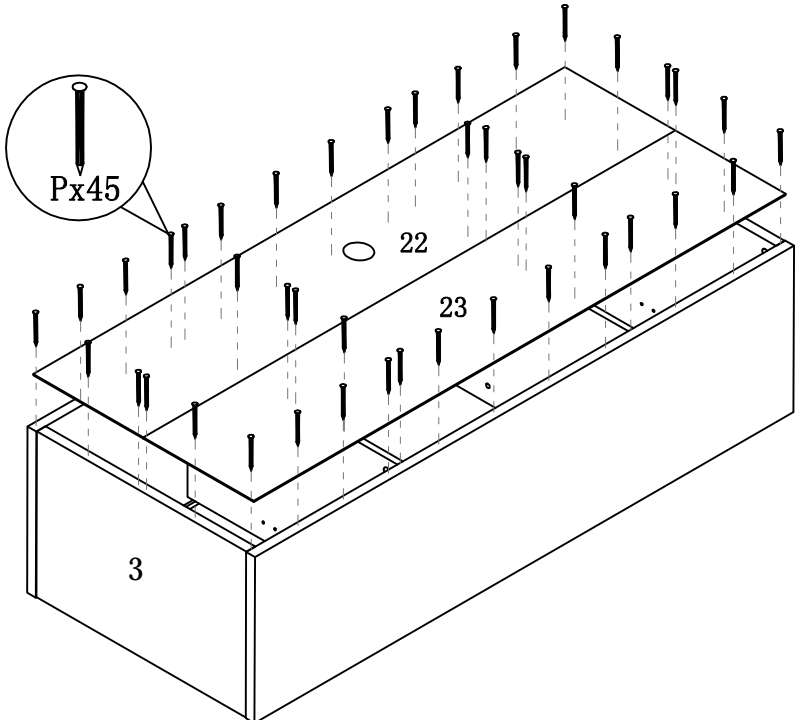
STEP10





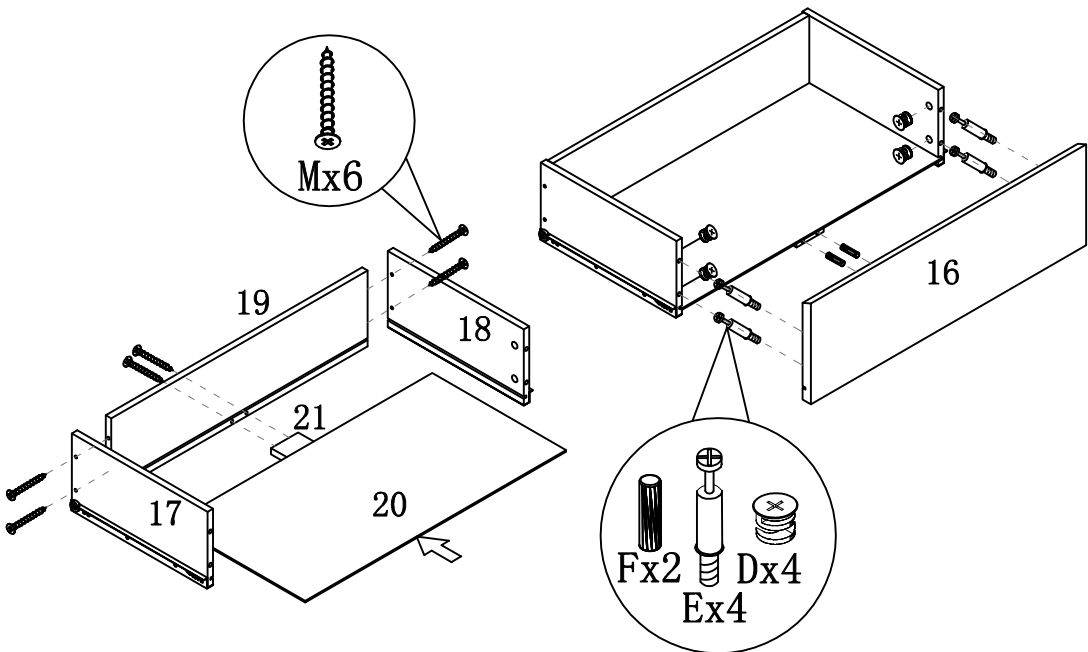
# ASSEMBLY INSTRUCTION

ITEM#: 192641



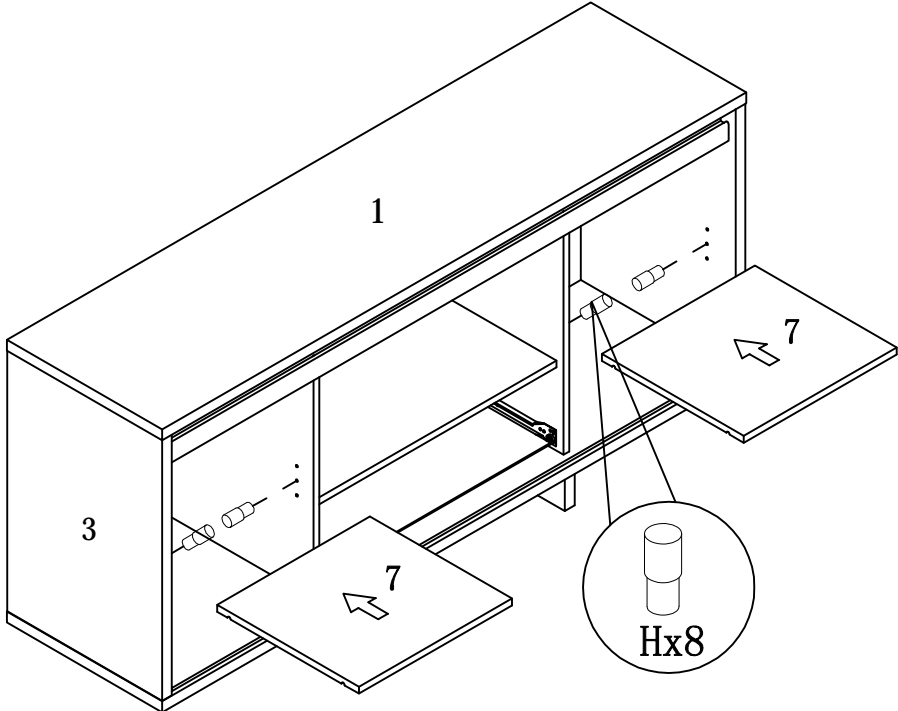
STEP 11

STEP 12



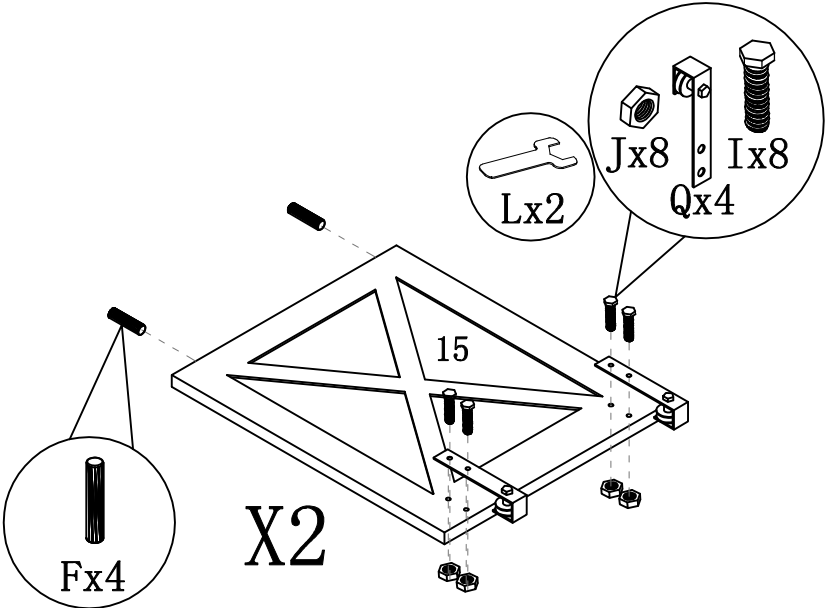
# ASSEMBLY INSTRUCTION

ITEM#: 192641



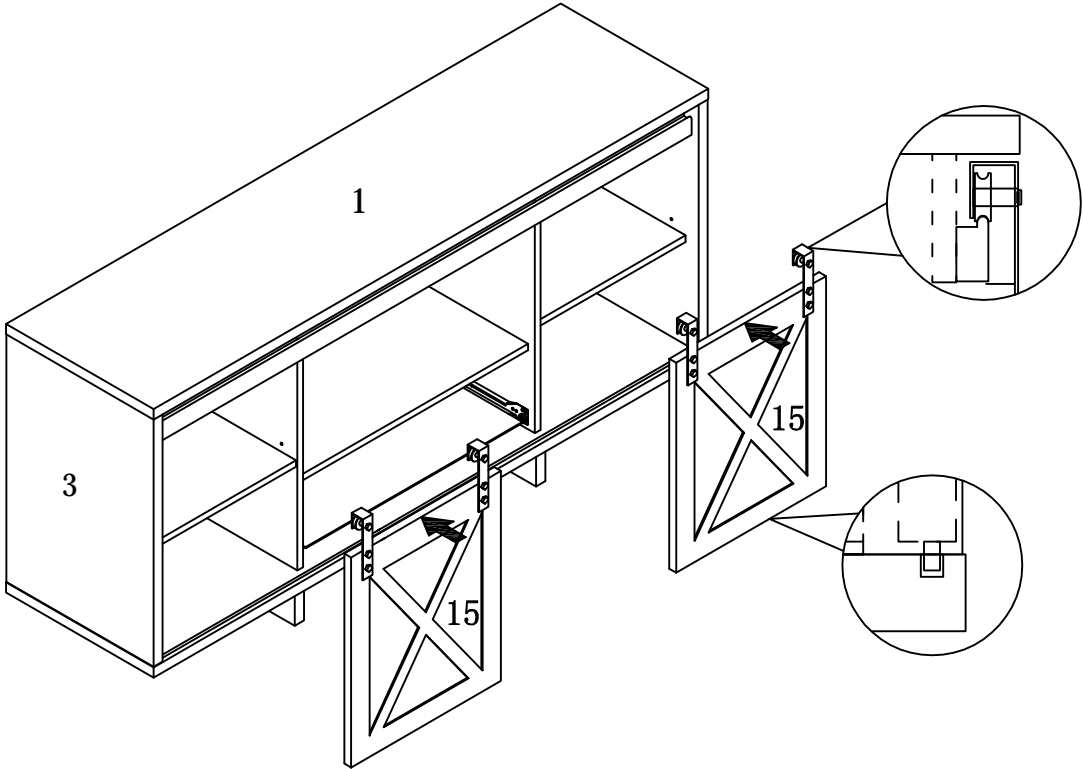
STEP 13

STEP 14



# ASSEMBLY INSTRUCTION

ITEM#: 192641



STEP 15

STEP 16

