

ASSEMBLY INSTRUCTION

PLEASE READ BEFORE ASSEMBLING!

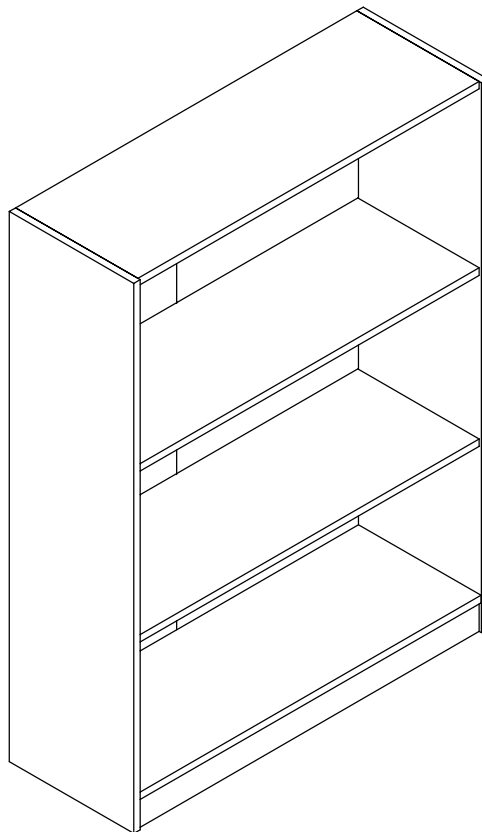
Tip #1: Make sure you've taken all the pieces and hardware out of its packaging before discarding the box.

Tip #2: Using page 2 and/or page 3 of instruction manual make sure all pieces and hardware are accounted for.

Tip #3: Read manual before assembling, it helps!

ITEM#: 111-3、 222-3、 555-3

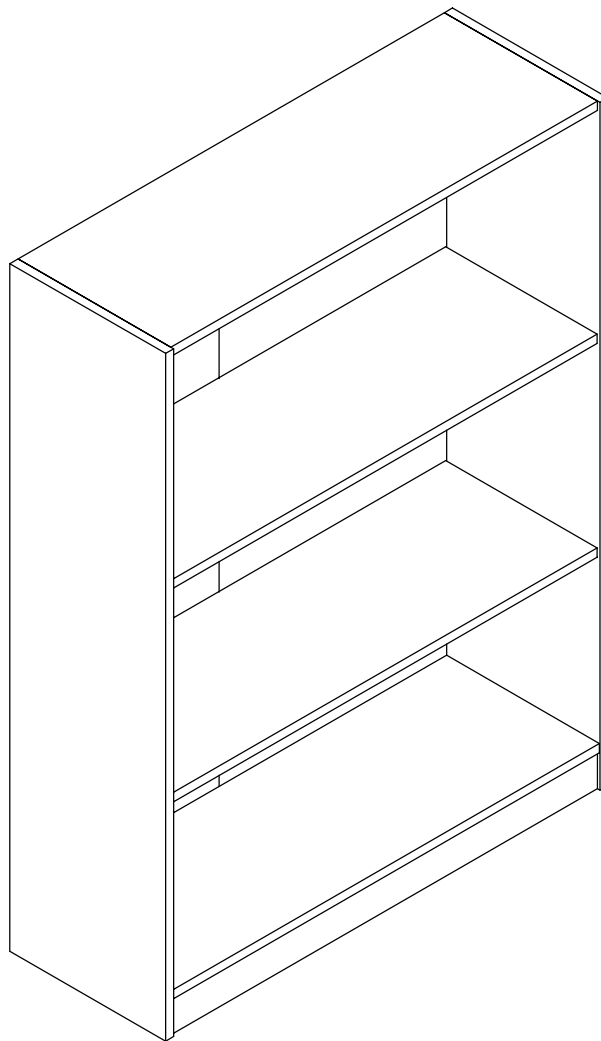
202674 202675 202676 202677 202678



ASSEMBLY INSTRUCTION

ITEM#: 111-3、 222-3、 555-3

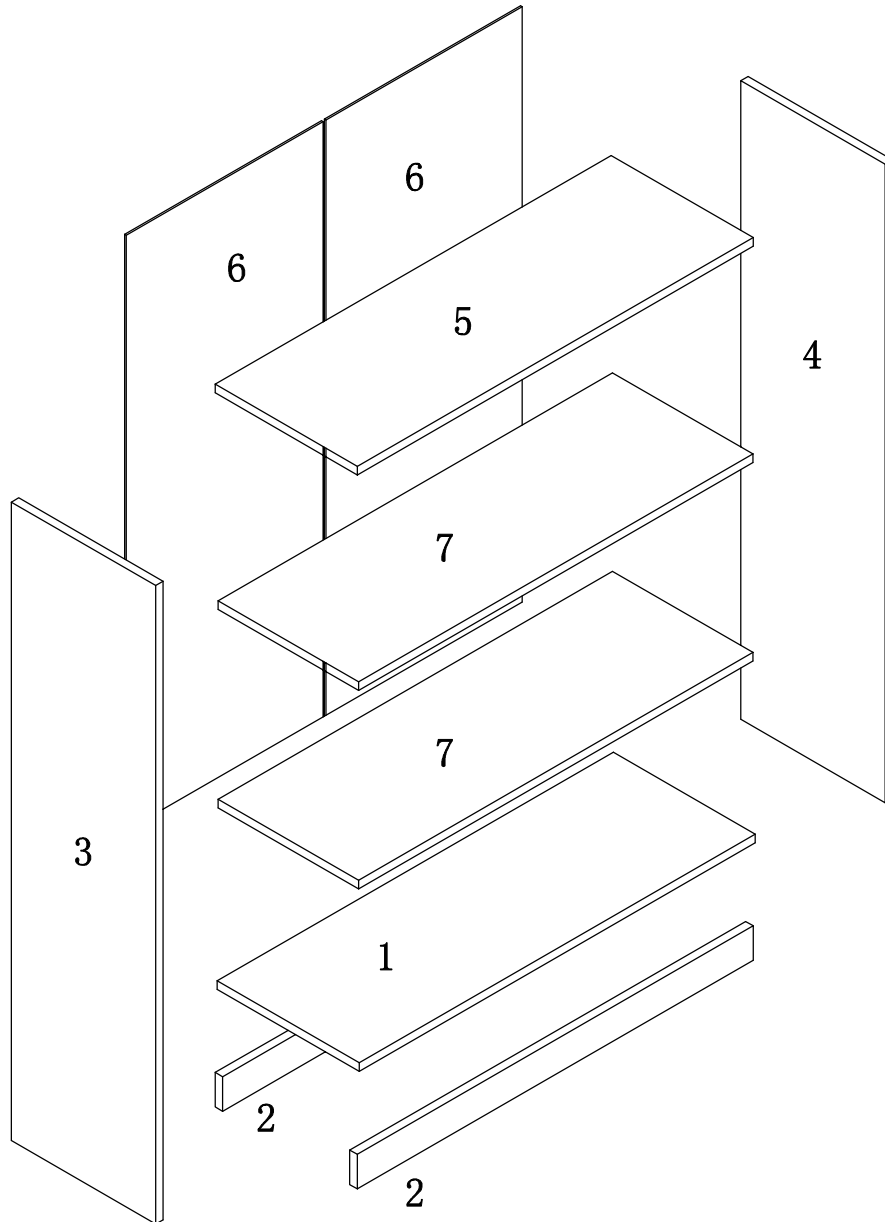
202674 202675 202676 202677 202678



PARTS IDENTIFICATION

ITEM#: 111-3、 222-3、 555-3

202674 202675 202676 202677 202678

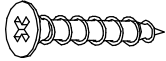

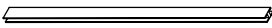
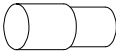


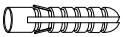

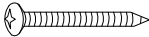
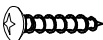




(1)	1pc	(5)	1pc
(2)	2pcs	(6)	2pcs
(3)	1pc	(7)	2pcs
(4)	1pc		

HARDWARE IDENTIFICATION

ITEM#: 111-3、222-3、555-3

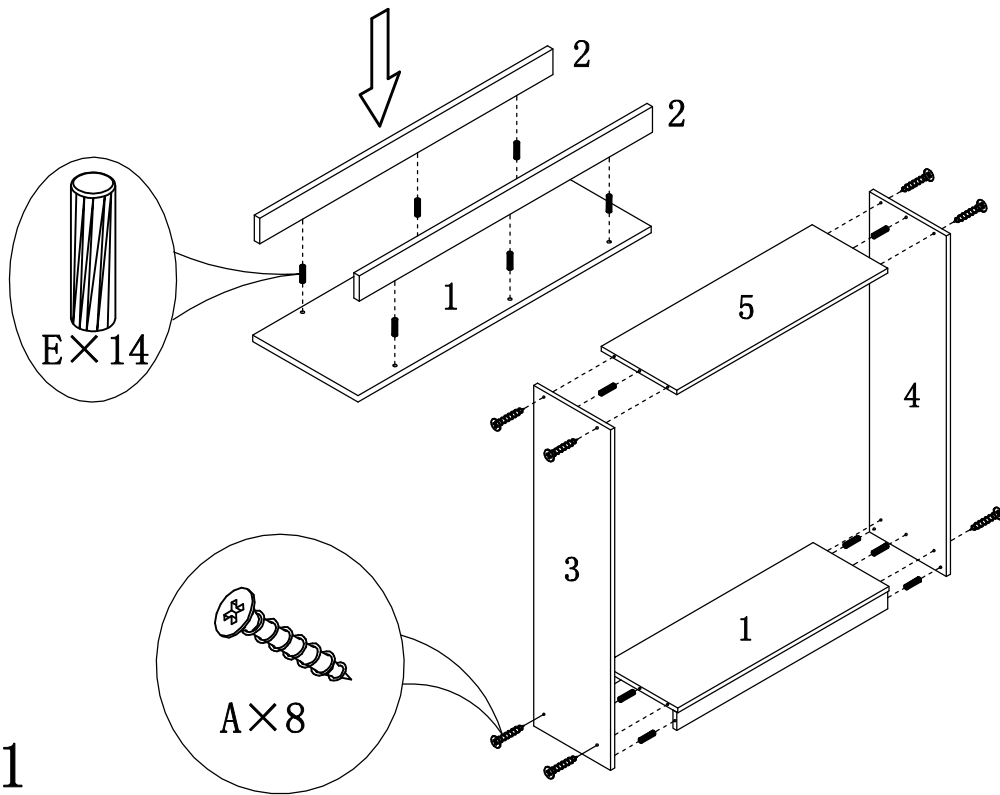
202674 202675 202676 202677 202678

A		$\phi 4 \times 35$	8pcs
B			36pcs
C		H1018	1pc
D		$\phi 5$	8pcs
E		$\phi 8 \times 25$	14pcs
F		197x5x1	1pc
G		$\phi 8 \times 40$	1pc
H		12x12x1	2pcs
I		$\phi 5 \times 40$	1pc
J		$\phi 4 \times 25$	1pc
K		Glue: For securing please apply to wood dowel first before inserting into panel	1pc
L		$\phi 16$	6pcs

ASSEMBLY INSTRUCTION

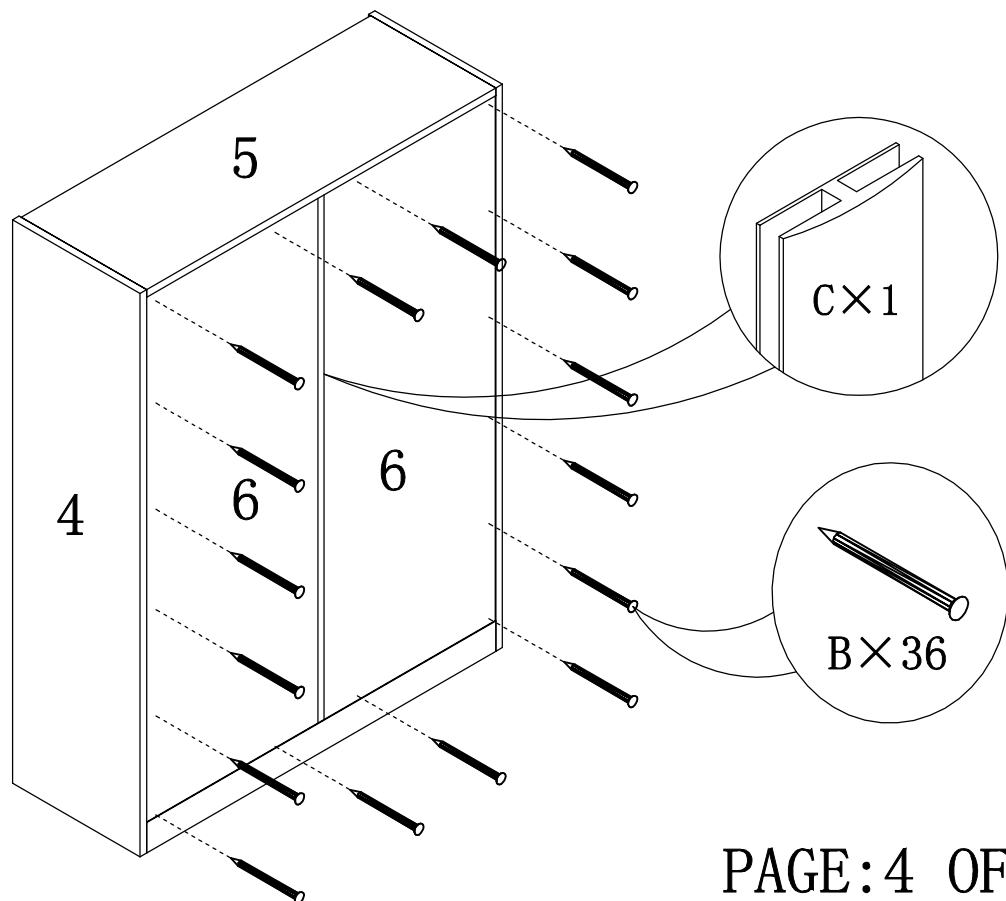
ITEM#: 111-3、222-3、555-3

202674 202675 202676 202677 202678



STEP 1

STEP 2

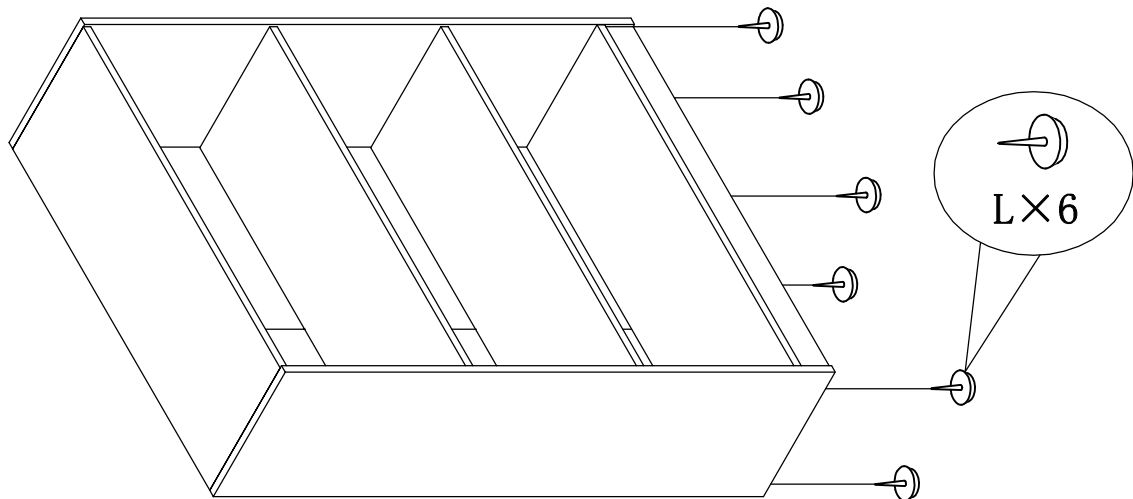


PAGE: 4 OF 6

ASSEMBLY INSTRUCTION

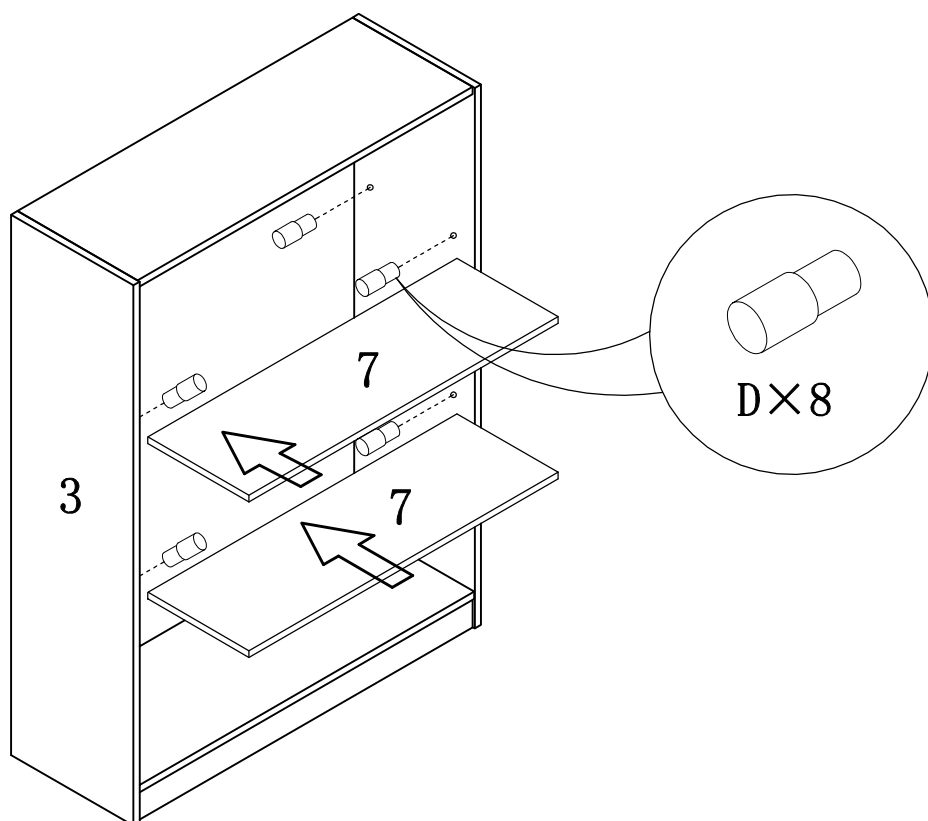
ITEM#: 111-3、222-3、555-3

202674 202675 202676 202677 202678



STEP 3

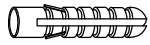
STEP 4



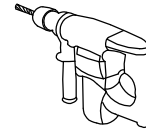
ANTI-TIPPING STRAP INSTRUCTION

HARDWARE (INCLUDED) :

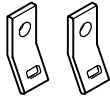
TOOLS NEEDED (NOT INCLUDED) :



DRYWALL ANCHOR $\phi 8 \times 40$ X 1PC



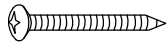
DRILL & DRILL BIT



METAL BRACKETS $12 \times 12 \times 1$ X 2PCS



LIGHT HAMMER



DRYWALL SCREW $\phi 5 \times 40$ X 1PC



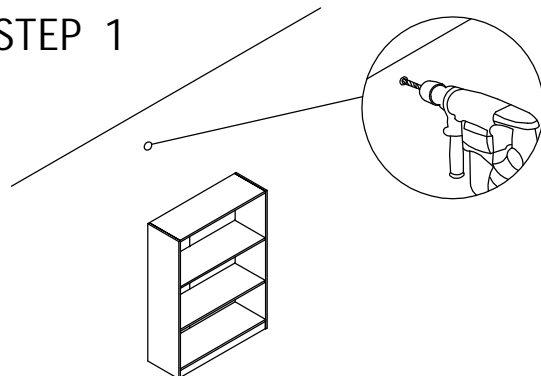
STRAP $197 \times 5 \times 1$ X 1PC



FLATHEAD SCREW $\phi 4 \times 25$ X 1PC

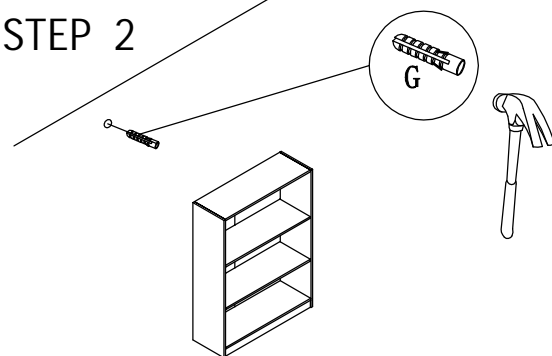
Note: Hardware included only compatible with standard drywalls.

STEP 1



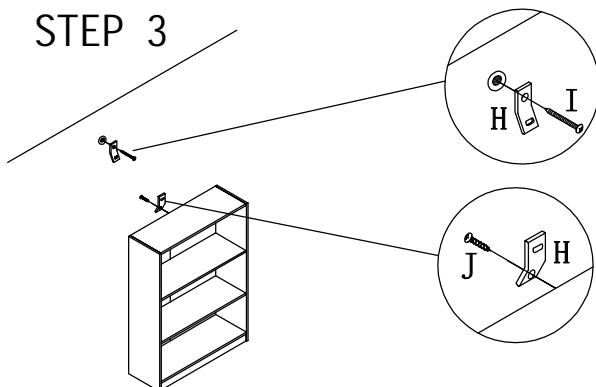
1. Find spot on wall 1" below top of item.
2. Using a drill bit slightly thinner than anchor, drill hole into drywall.

STEP 2



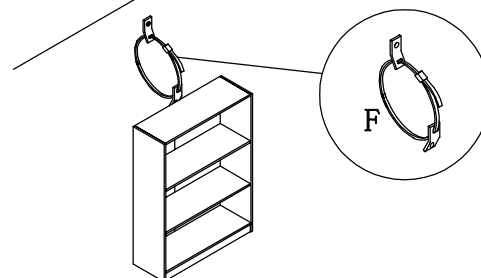
1. Use a light hammer to tap anchor into hole.
2. Anchor should fit snugly. If hole is too small, drill again to increase hole size. Do not force anchor into wall.

STEP 3



1. Insert drywall screw into metal bracket and into drywall anchor.
2. Insert flathead screw into second metal bracket and into back of item along top edge.

STEP 4



1. Insert strap thru bracket attached to wall, then thru bracket on item, and into head of strap.
 2. pull lightly til strap stops.
- Assembly is complete.