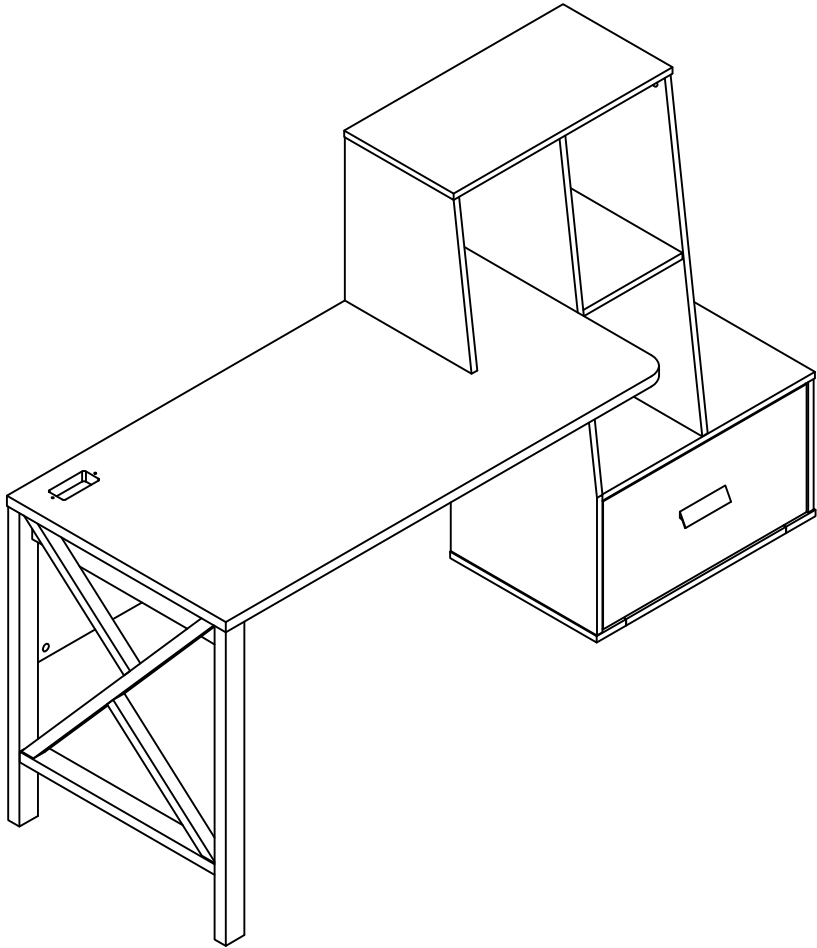


# ASSEMBLY INSTRUCTION

ITEM#: 202733



# ASSEMBLY INSTRUCTION

---

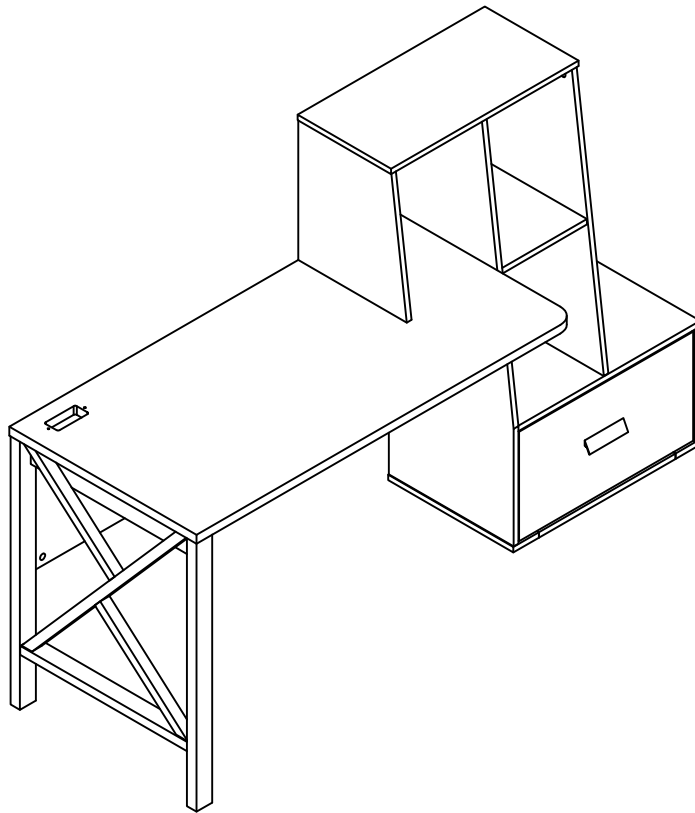
## PLEASE READ BEFORE ASSEMBLING!

Tip #1: Make sure you've taken all the pieces and hardware out of its packaging before discarding the box. Assembly on top of flattened box/blanket is recommended.

Tip #2: Using page 2 and/or page 3 of instruction manual make sure all pieces and hardware are accounted for.

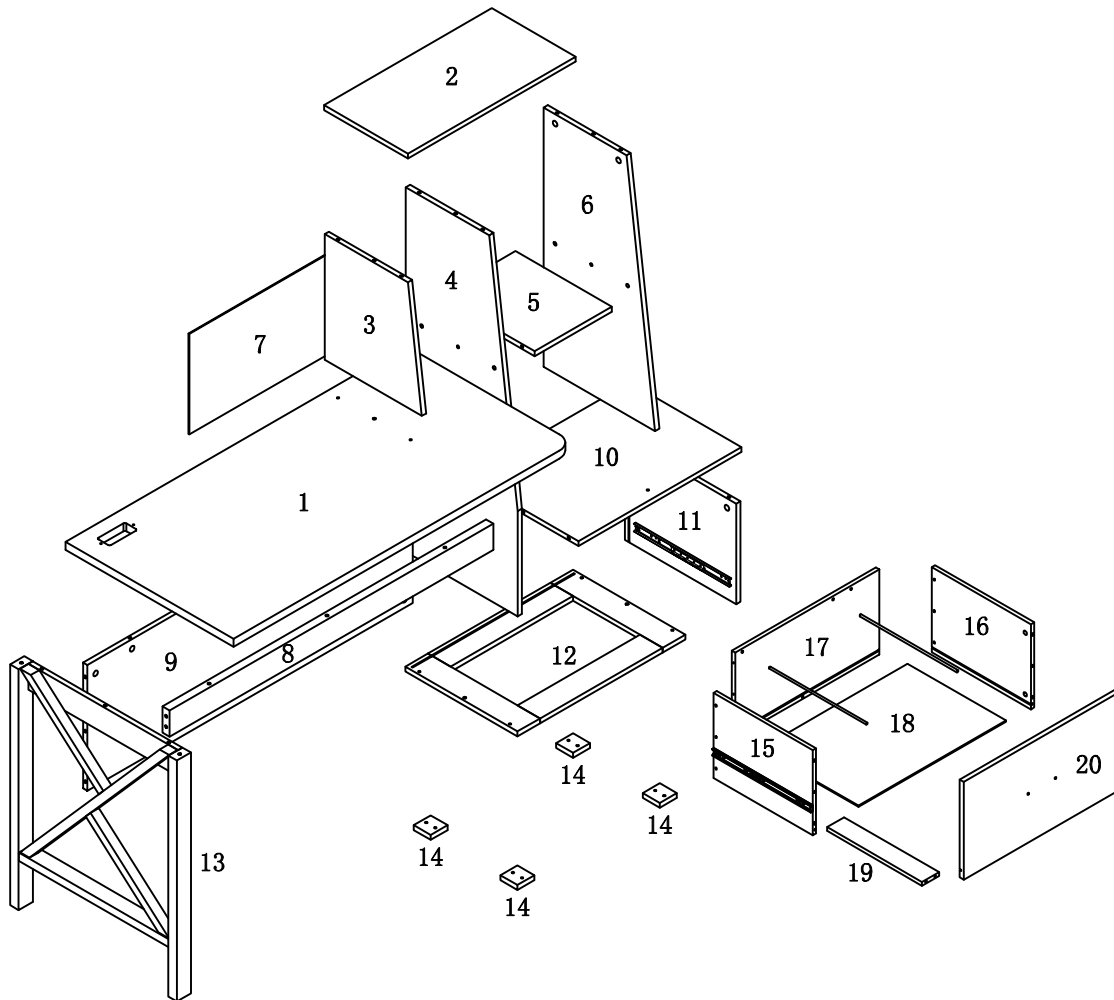
Tip #3: Note position of all holes on each panel during assembly.

ITEM#: 202733



# PARTS IDENTIFICATION

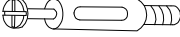

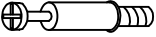



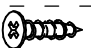
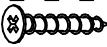
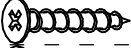
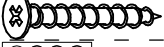


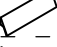




ITEM#: 202733



(1)	1pc	(8)	1pc	(15)	1pc
(2)	1pc	(9)	1pc	(16)	1pc
(3)	1pc	(10)	1pc	(17)	1pc
(4)	1pc	(11)	1pc	(18)	1pc
(5)	1pc	(12)	1pc	(19)	1pc
(6)	1pc	(13)	1pc	(20)	1pc
(7)	1pc	(14)	4pcs		

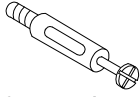

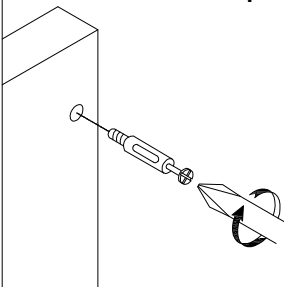
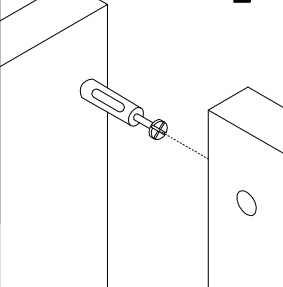
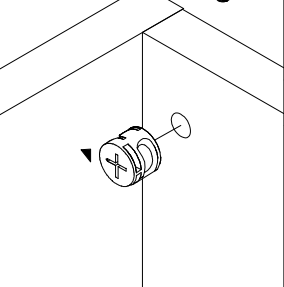
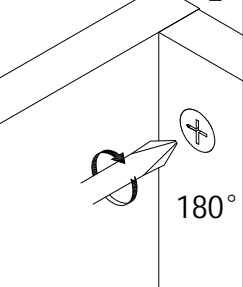
# HARDWARE IDENTIFICATION

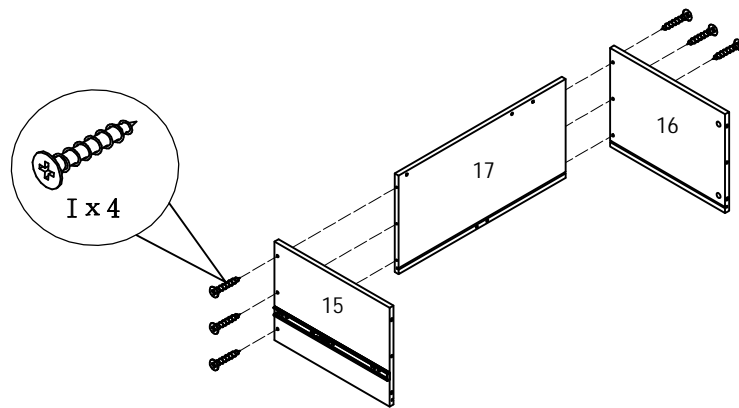
ITEM#: 202733

A		L29	32pcs
B		ø15	32pcs
C		L20	4pcs
D		ø12	4pcs
E		ø8x25	19pcs
F		ø6x30	4pcs
G		ø3.5x12	2pcs
H		ø4x25	8pcs
I		ø4x30	8pcs
J		ø4x40	6pcs
K		ø22	28pcs
L		ø16	6pcs
M			1pc
N		M4x20	2pcs
O			1pc
P		ø5x9	2pcs
Q		ø5x342	2pcs

# ASSEMBLY INSTRUCTION

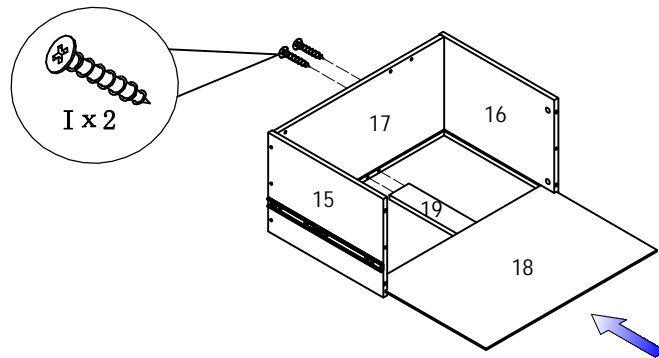
ITEM#: 202733

HOW TO	1	2	3	4
 Cam Bolt   Cam Lock				
	1. Screw Cam Bolt into panel.	2. Insert Cam Bolt into bolt hole of joining panel.	3. Insert Cam Lock. arrow facing bolt.	4. Gently turn Cam Lock clockwise to lock position.



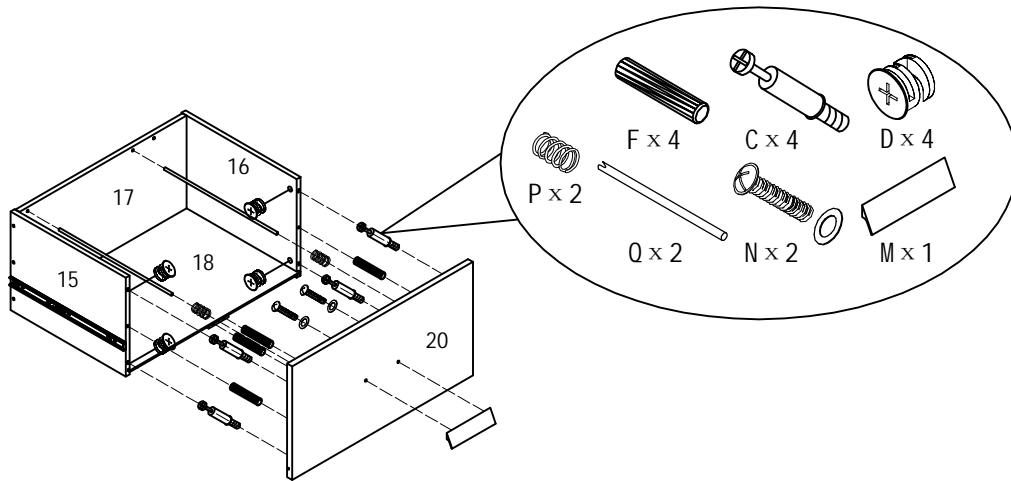
STEP1

STEP2



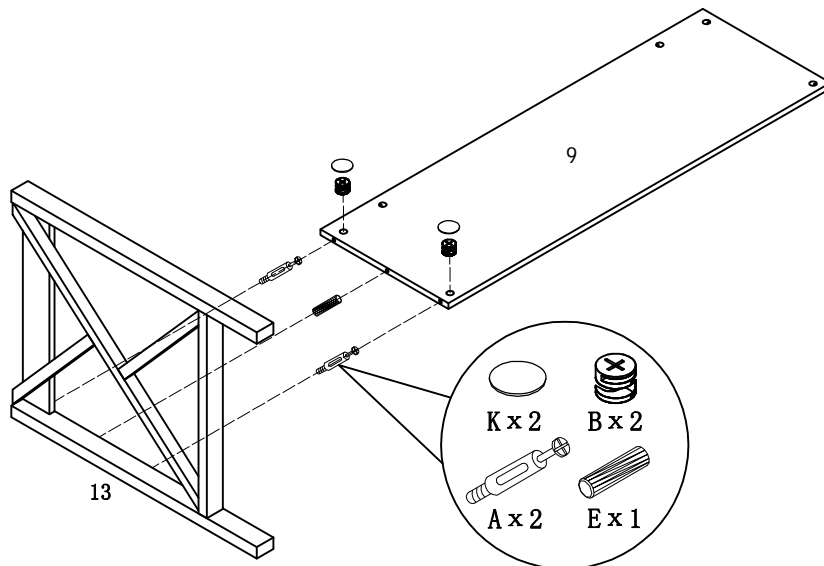
# ASSEMBLY INSTRUCTION

ITEM#: 202733



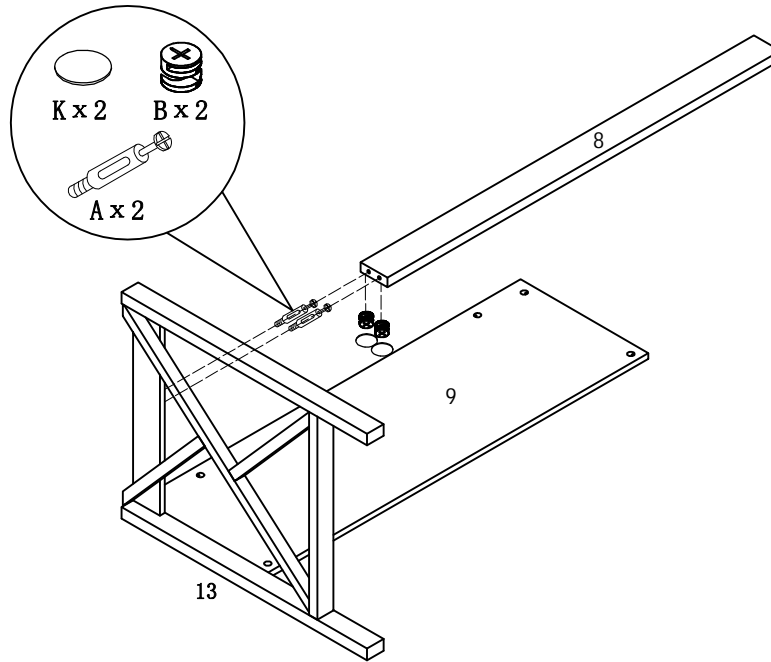
STEP3

STEP4



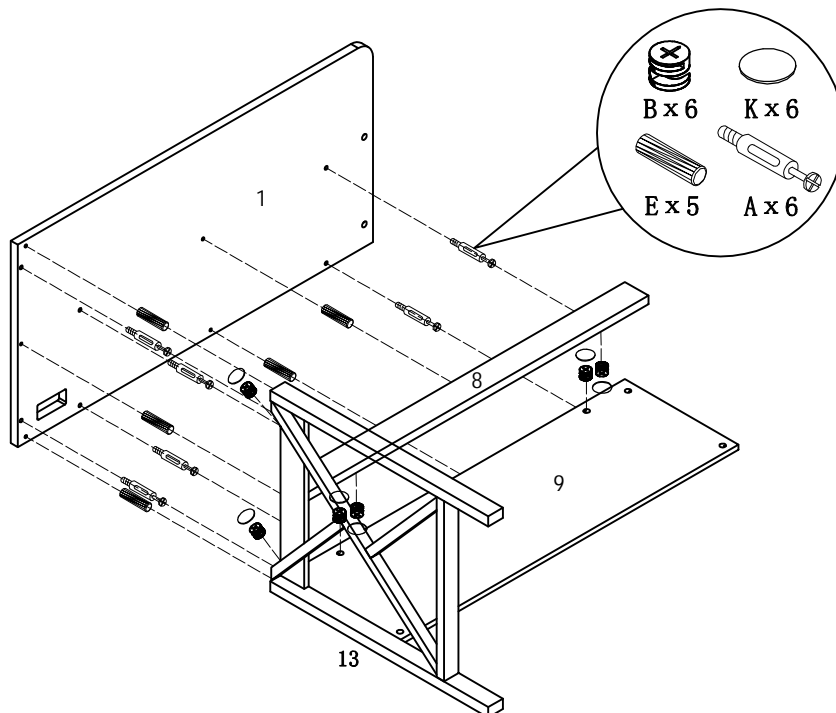
# ASSEMBLY INSTRUCTION

ITEM#: 202733



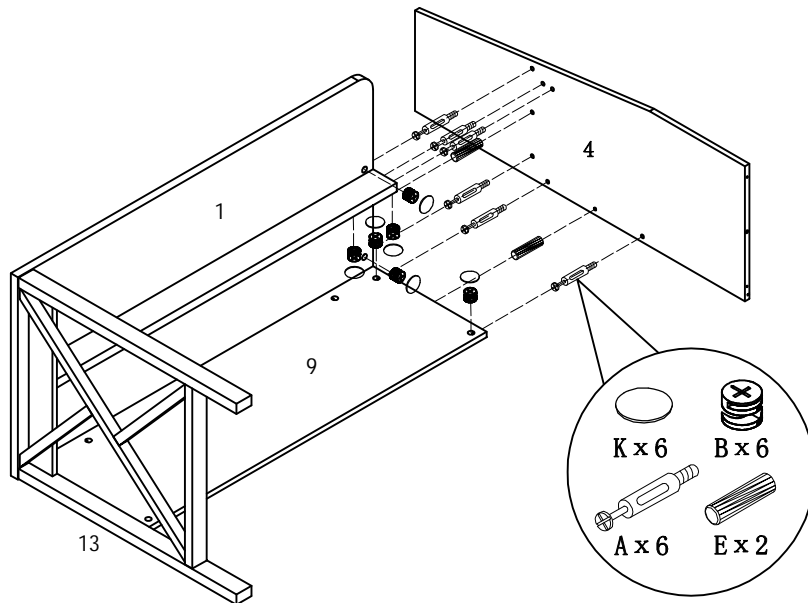
STEP5

STEP6



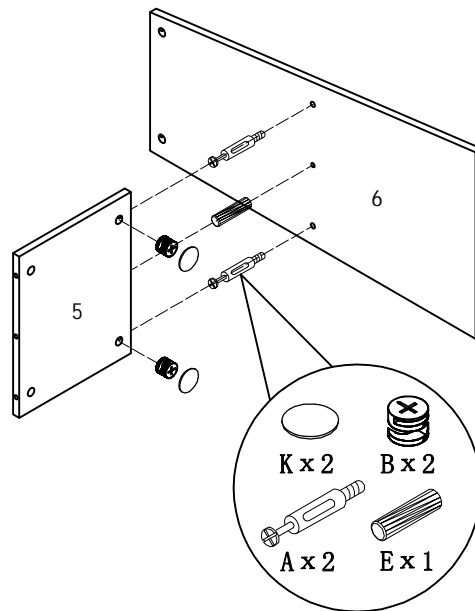
# ASSEMBLY INSTRUCTION

ITEM#: 202733



STEP7

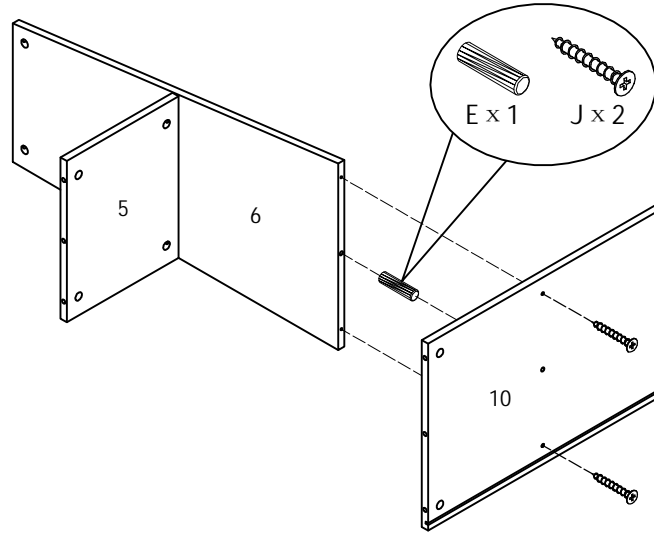
STEP8





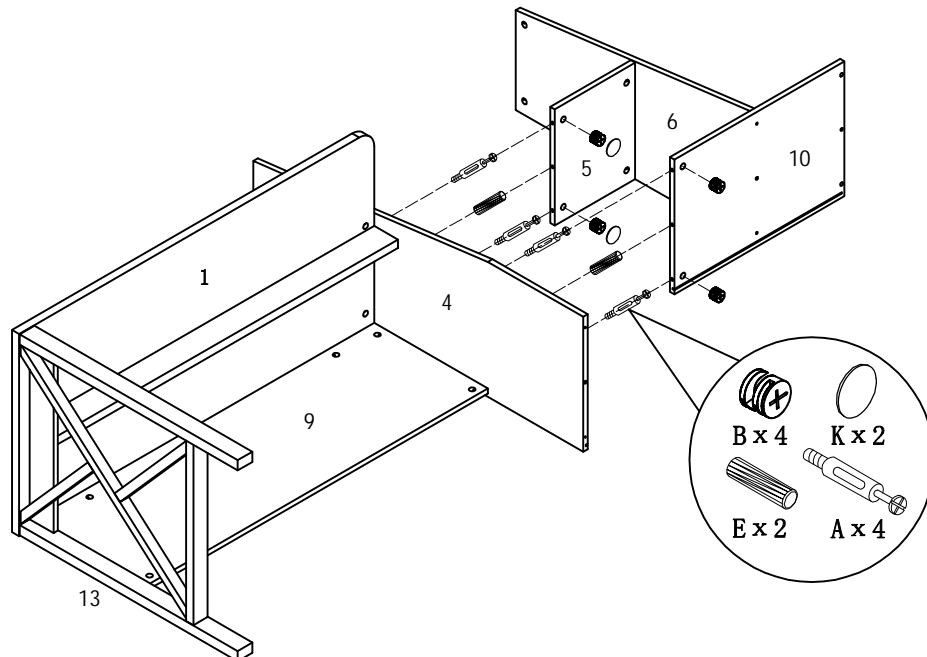
# ASSEMBLY INSTRUCTION

ITEM#: 202733



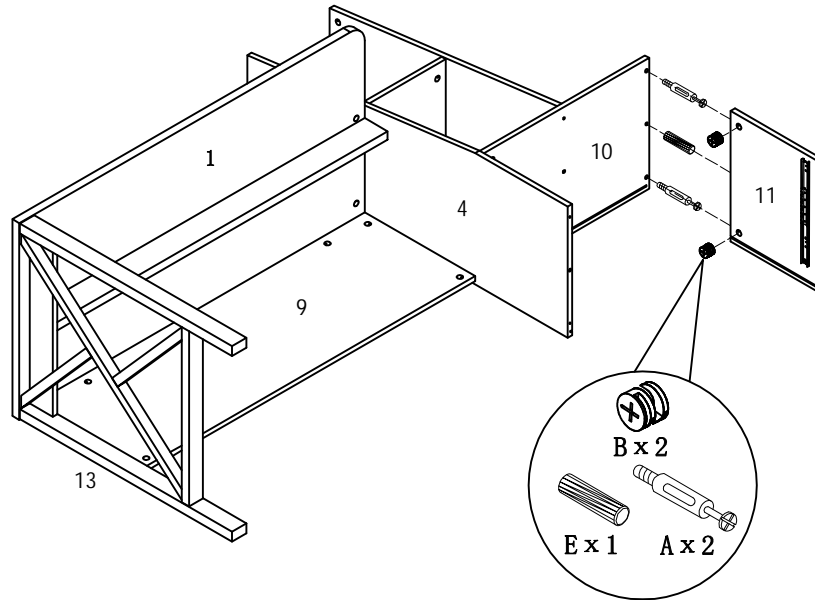
STEP9

STEP10



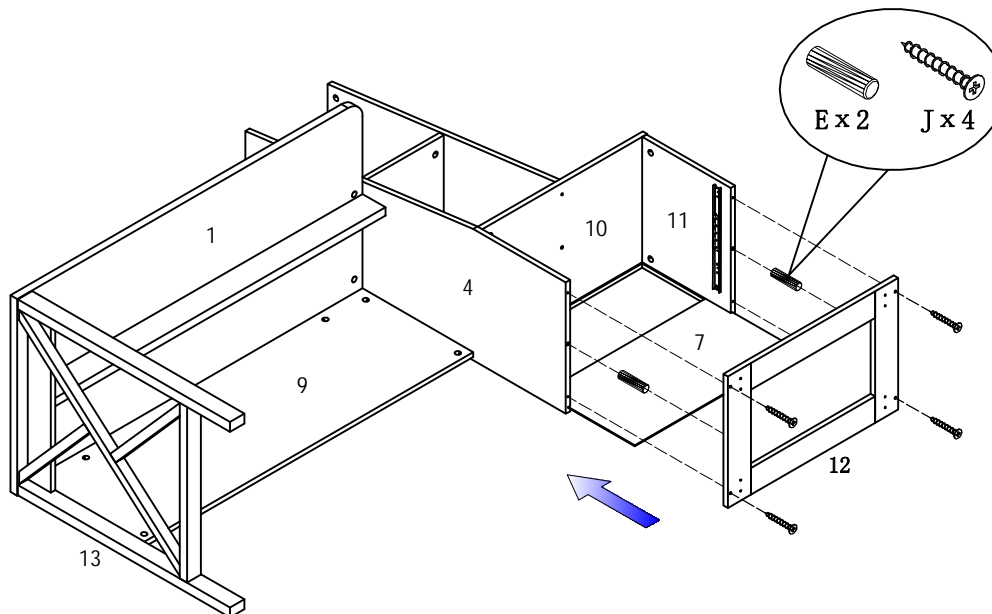
# ASSEMBLY INSTRUCTION

ITEM#: 202733



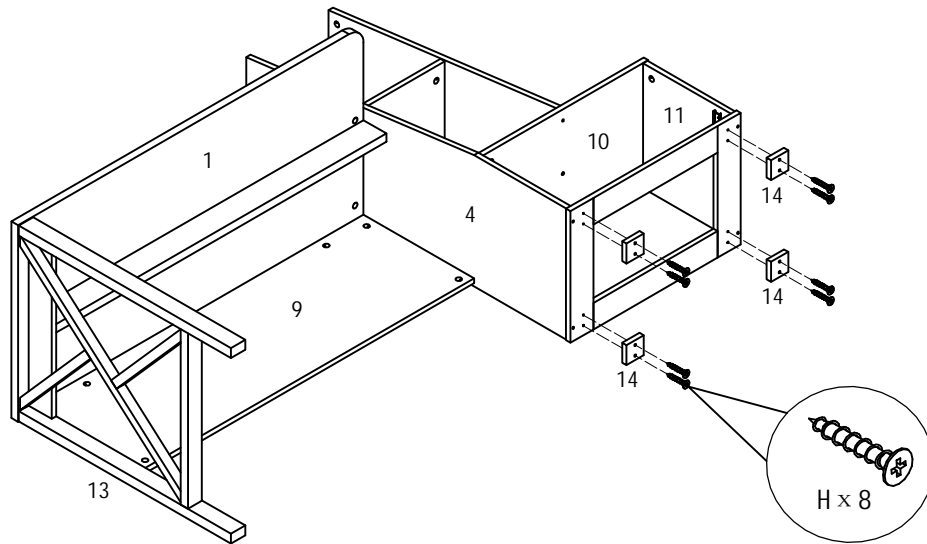
STEP11

STEP12



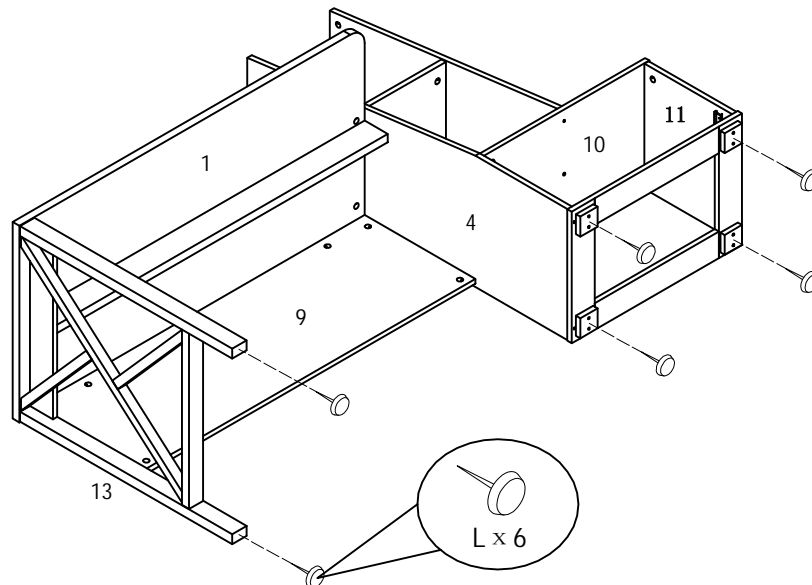
# ASSEMBLY INSTRUCTION

ITEM#: 202733



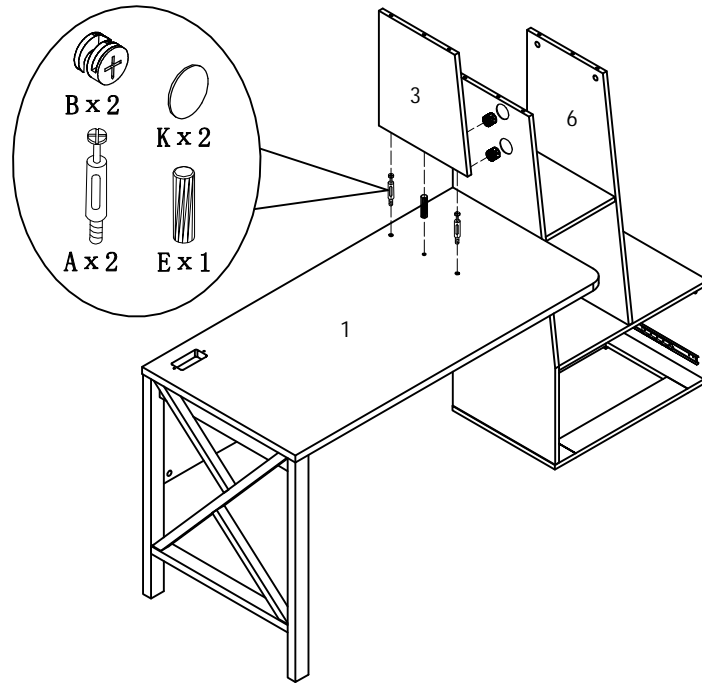
STEP13

STEP14



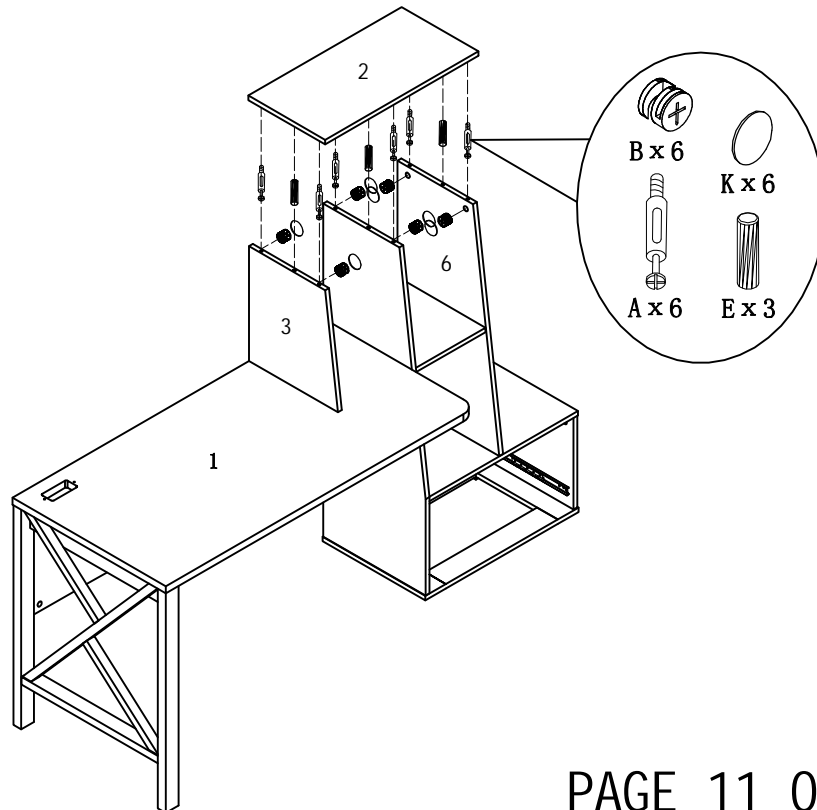
# ASSEMBLY INSTRUCTION

ITEM#: 202733



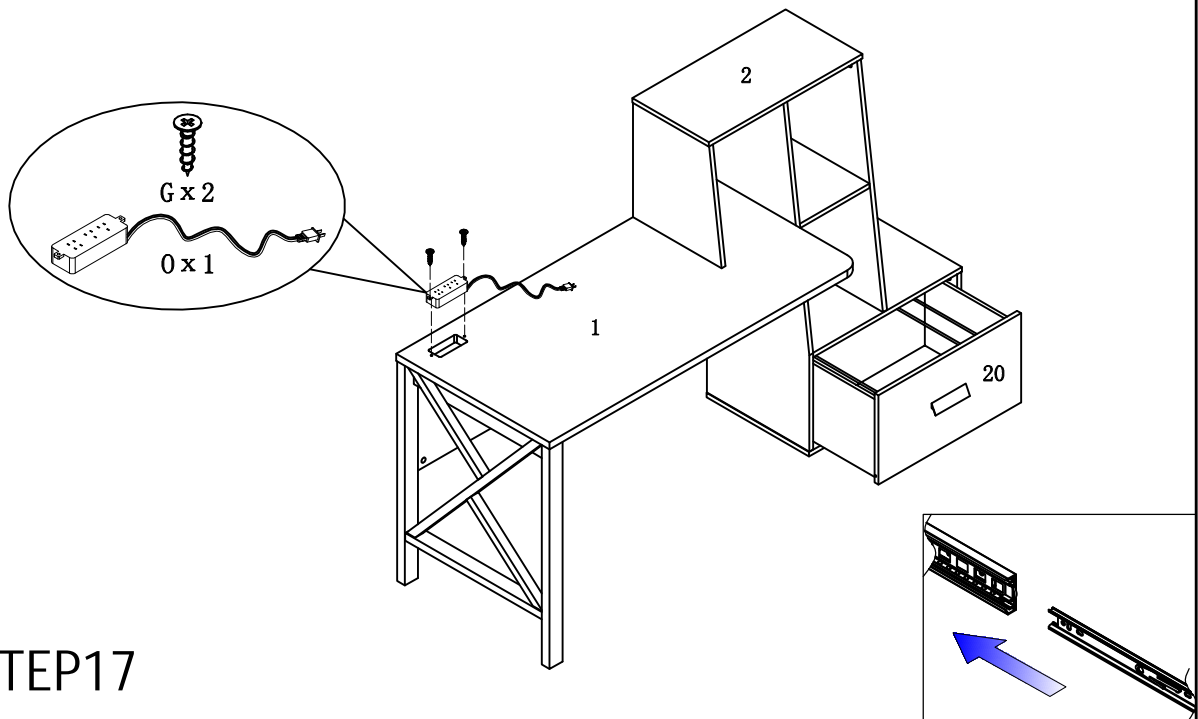
STEP15

STEP16



# ASSEMBLY INSTRUCTION

ITEM#: 202733



STEP17

STEP18

