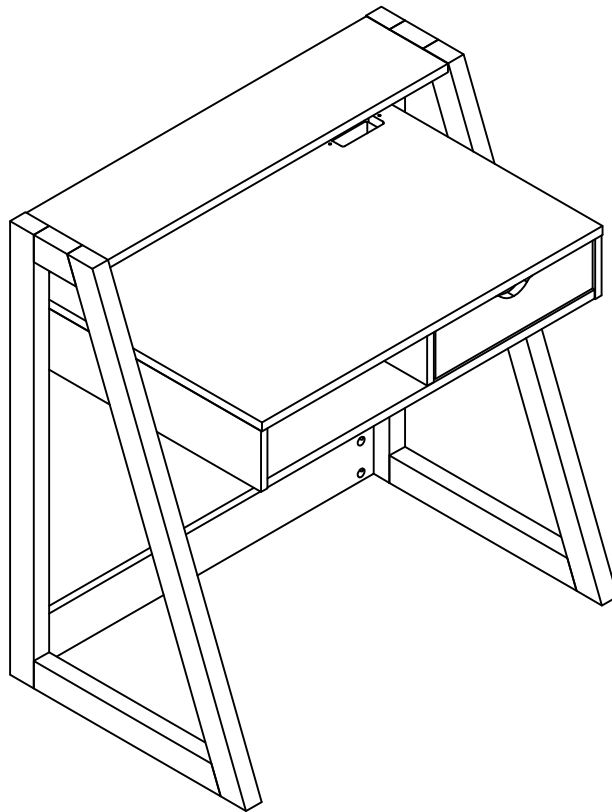


ASSEMBLY INSTRUCTION

ITEM#: 202844 202845 202846



ASSEMBLY INSTRUCTION

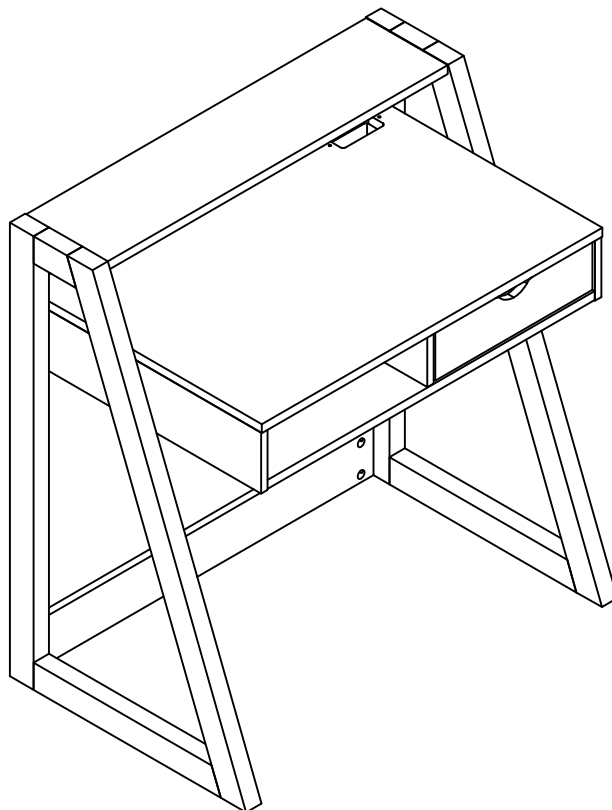
PLEASE READ BEFORE ASSEMBLING!

Tip #1: Make sure you've taken all the pieces and hardware out of its packaging before discarding the box. Assembly on top of flattened box/blanket is recommended.

Tip #2: Using page 2 and/or page 3 of instruction manual make sure all pieces and hardware are accounted for.

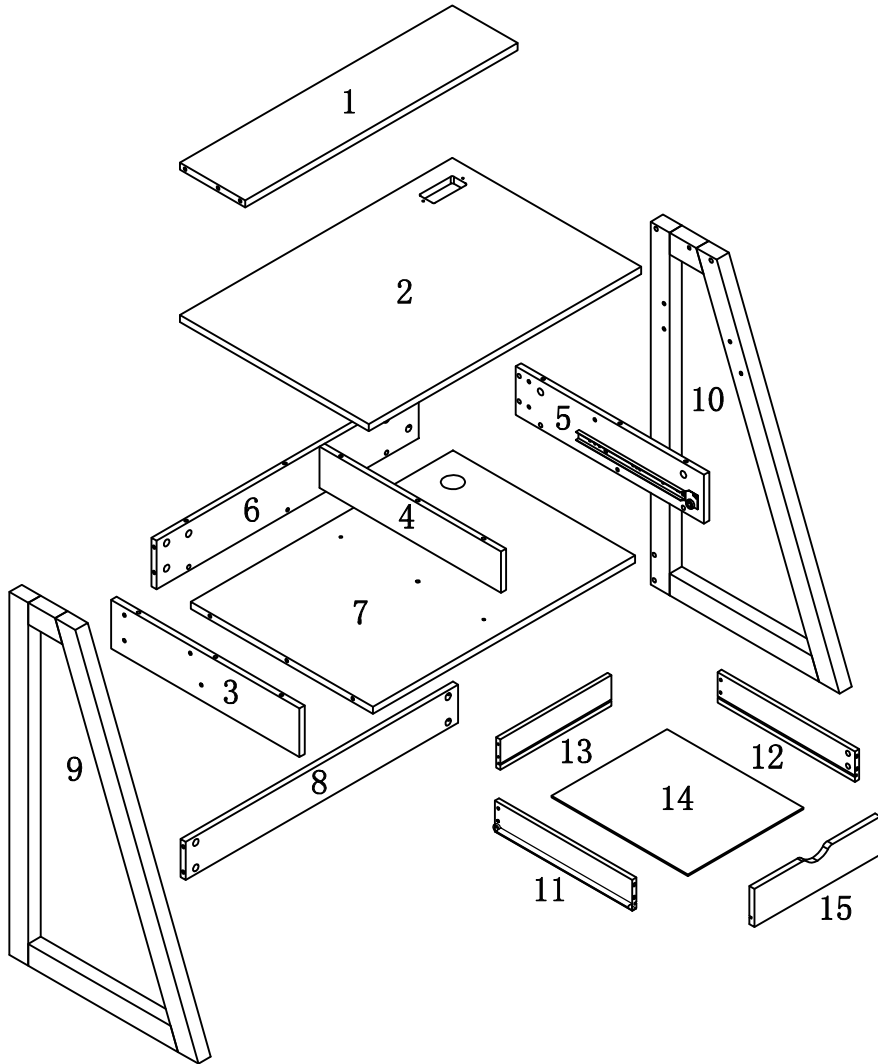
Tip #3: Note position of all holes on each panel during assembly.

ITEM#: 202844 202845 202846



PARTS IDENTIFICATION



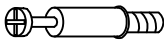



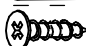
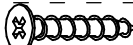
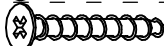




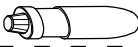
ITEM#: 202844 202845 202846



(1) 1pc	(7) 1pc	(13) 1pc
(2) 1pc	(8) 1pc	(14) 1pc
(3) 1pc	(9) 1pc	(15) 1pc
(4) 1pc	(10) 1pc	
(5) 1pc	(11) 1pc	
(6) 1pc	(12) 1pc	

HARDWARE IDENTIFICATION

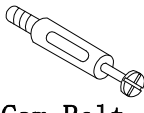

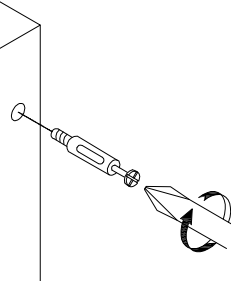
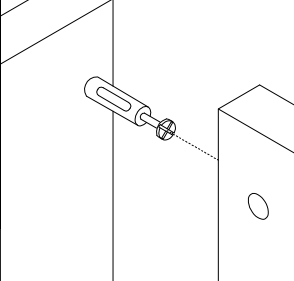
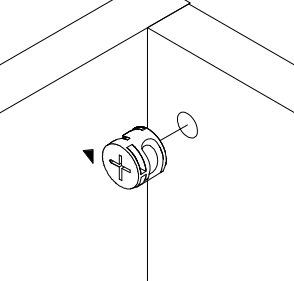
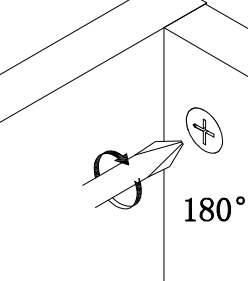
ITEM#: 202844 202845 202846

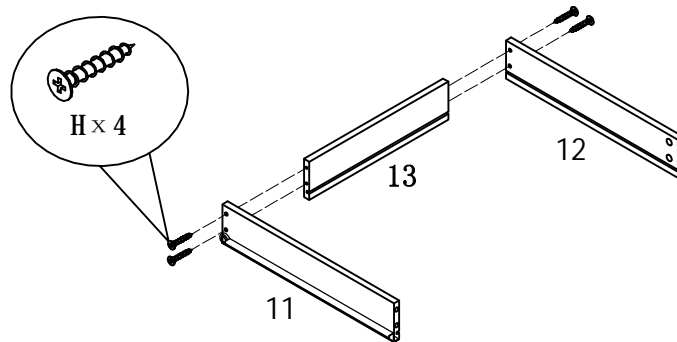
A		L29	26pcs
B		ø15	26pcs
C		L20	4pcs
D		ø12	4pcs
E		M6x25	8pcs
F		ø8x25	10pcs
G		ø3.5x12	2pcs
H		ø4x30	4pcs
I		ø4x40	2pcs
J		ø15	2pcs
K		ø22	21pcs
L		ø16	6pcs
M			1pc
N			1pc

Glue: For securing please apply to wood dowel first before inserting into panel

ASSEMBLY INSTRUCTION

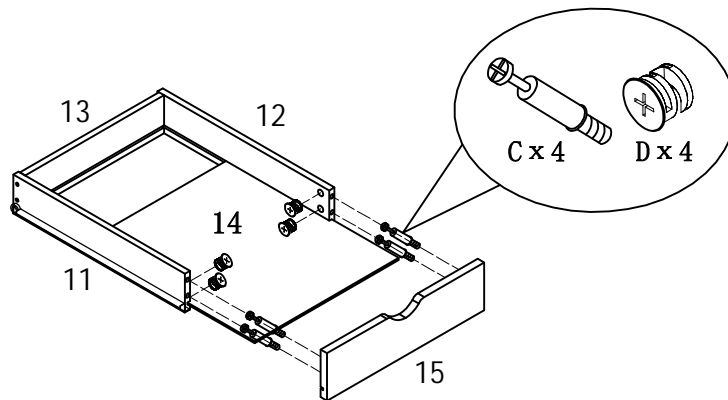
ITEM#: 202844 202845 202846

HOW TO	1	2	3	4
 Cam Bolt  Cam Lock				
	1. Screw Cam Bolt into panel.	2. Insert Cam Bolt into bolt hole of joining panel.	3. Insert Cam Lock. arrow facing bolt.	4. Gently turn Cam Lock clockwise to lock position.



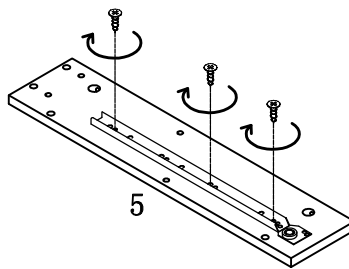
STEP 1

STEP 2



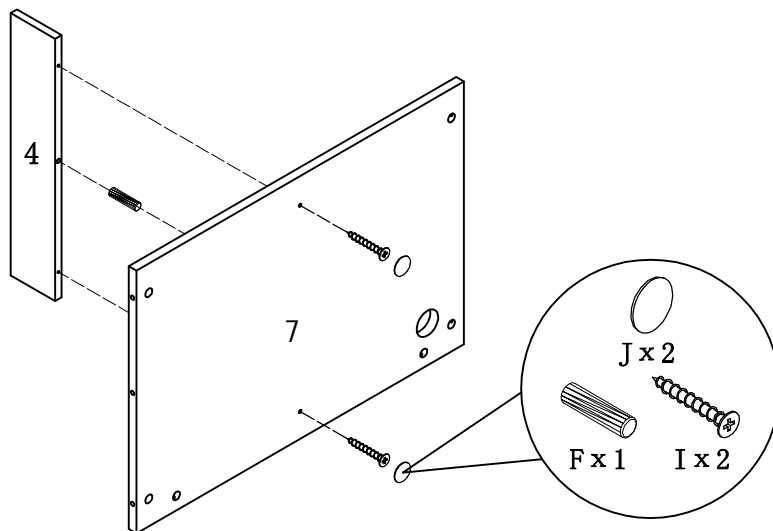
ASSEMBLY INSTRUCTION

ITEM#: 202844 202845 202846



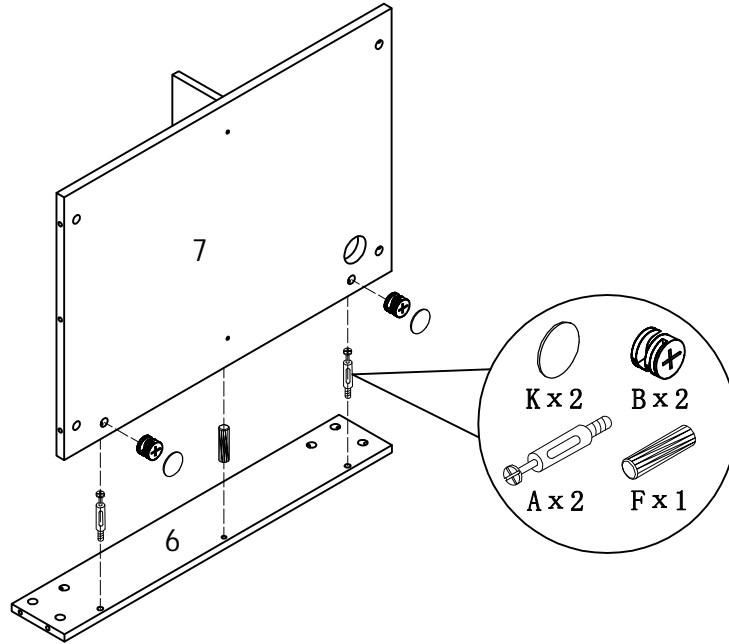
STEP3

STEP4



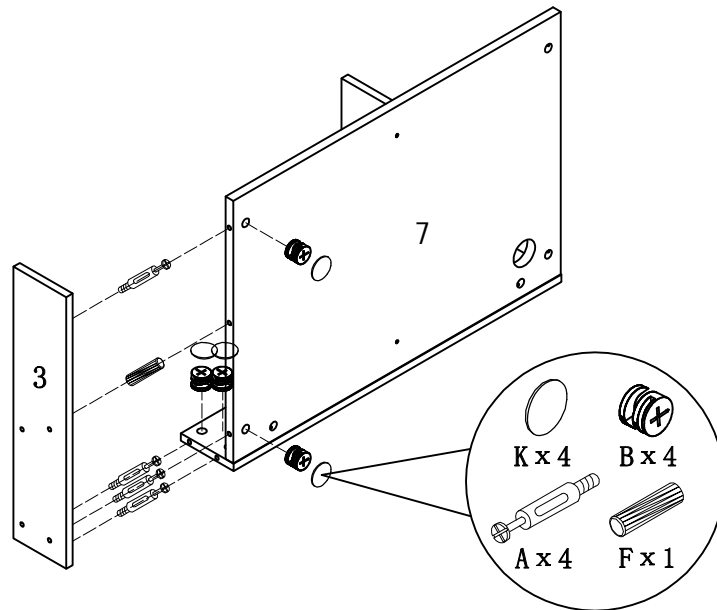
ASSEMBLY INSTRUCTION

ITEM#: 202844 202845 202846



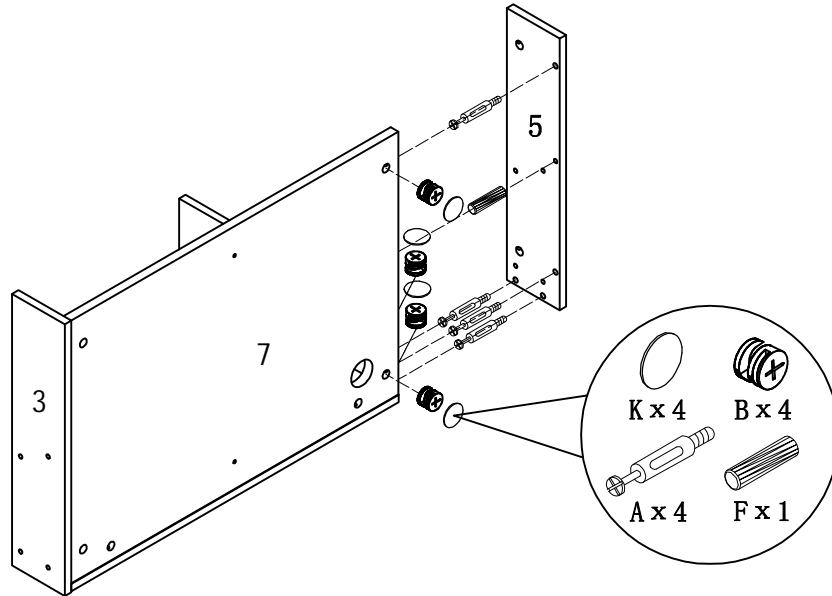
STEP5

STEP6



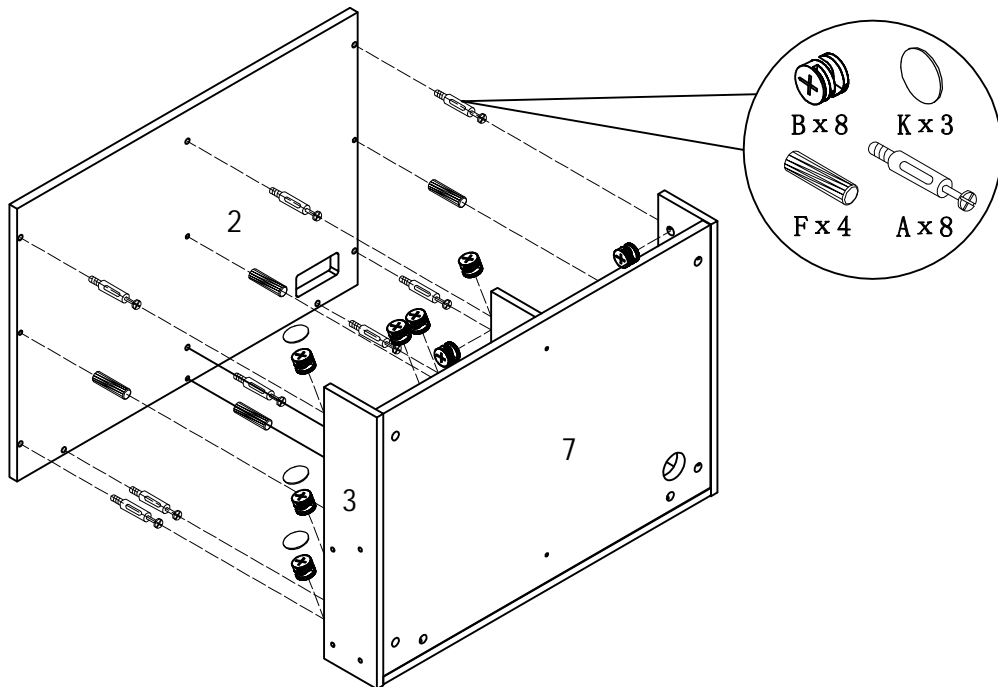
ASSEMBLY INSTRUCTION

ITEM#: 202844 202845 202846



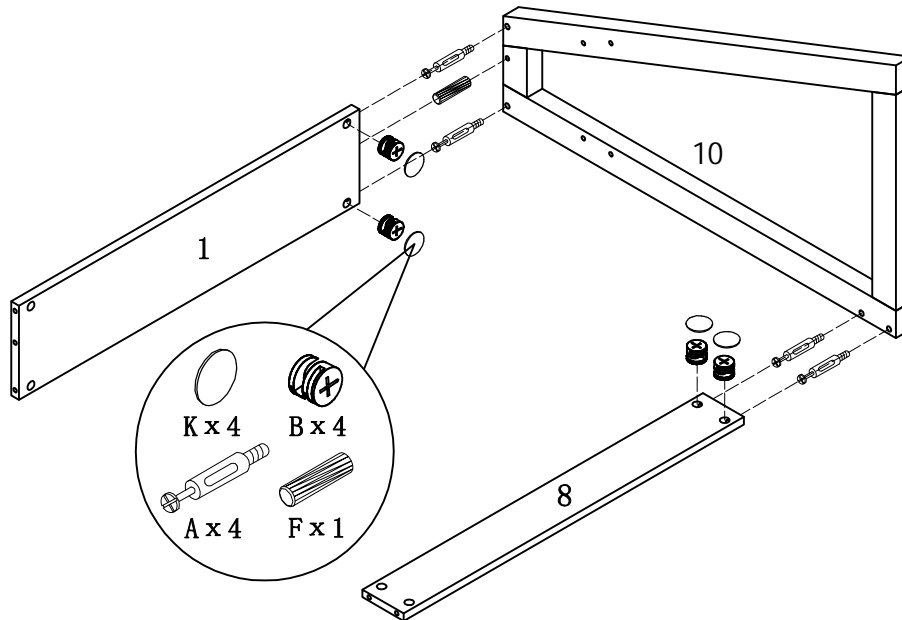
STEP7

STEP8



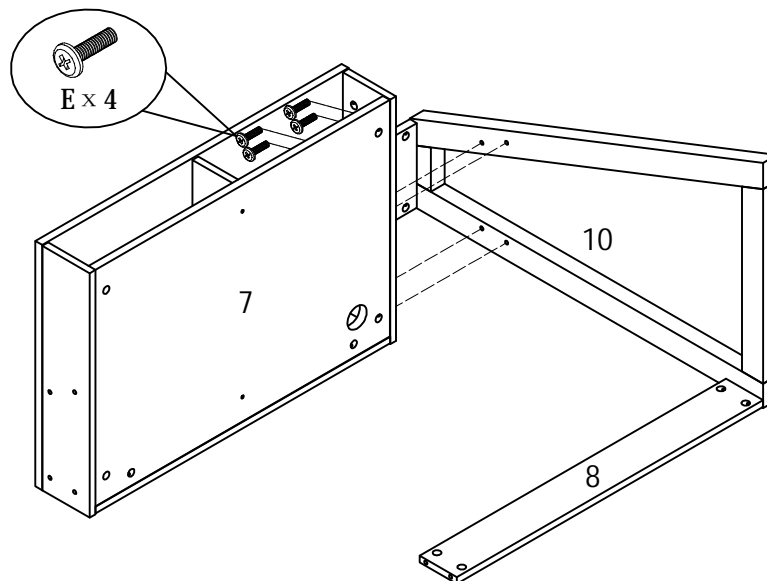
ASSEMBLY INSTRUCTION

ITEM#: 202844 202845 202846



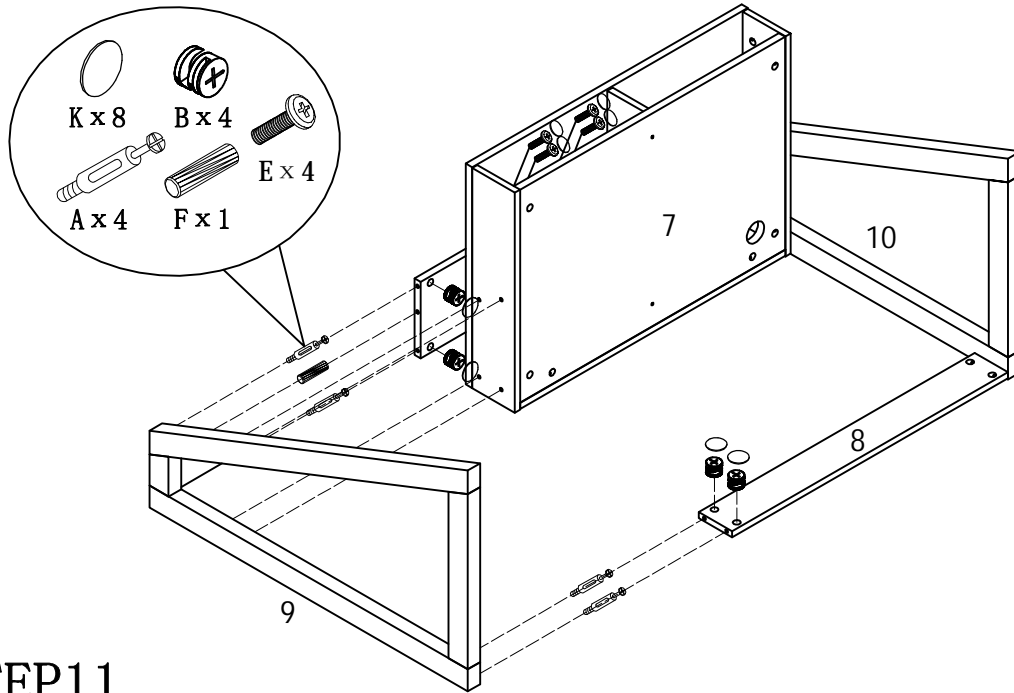
STEP9

STEP10



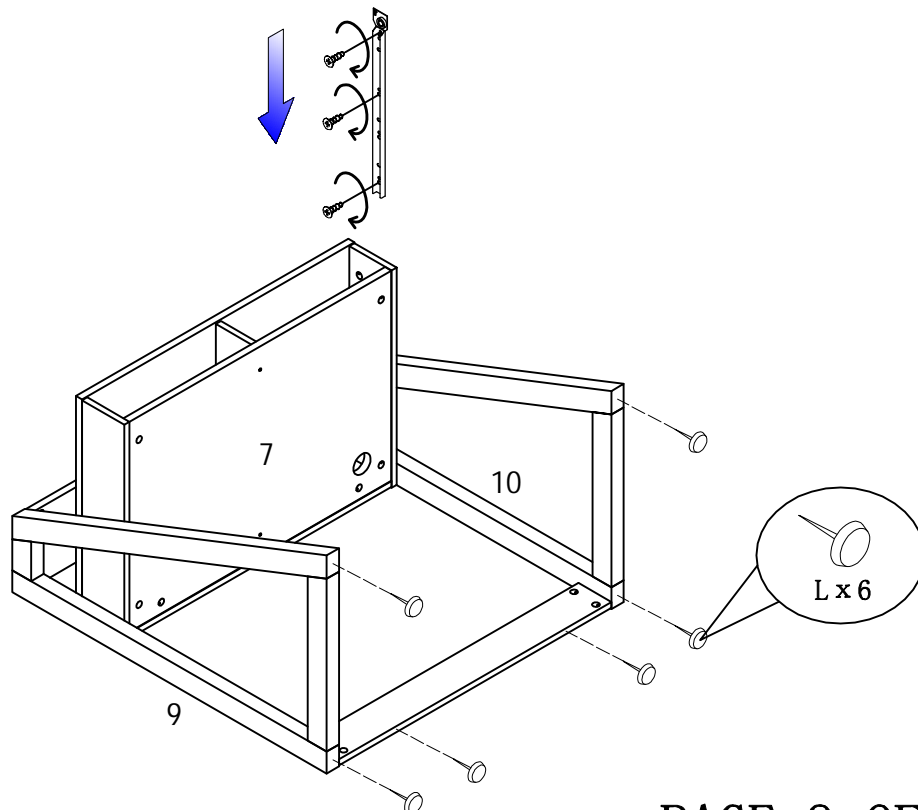
ASSEMBLY INSTRUCTION

ITEM#: 202844 202845 202846



STEP 11

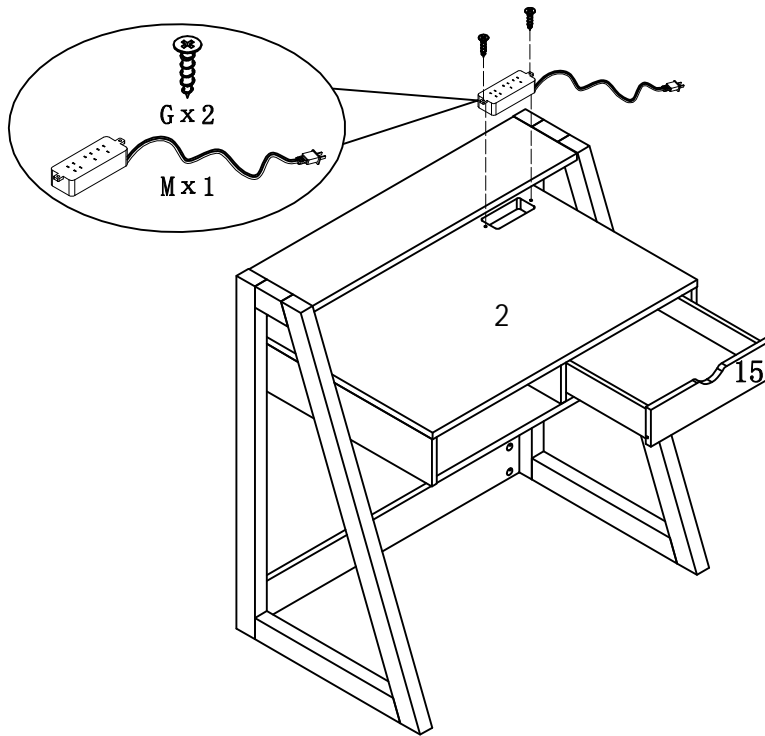
STEP 12



PAGE 9 OF 10

ASSEMBLY INSTRUCTION

ITEM#: 202844 202845 202846



STEP13

STEP14

