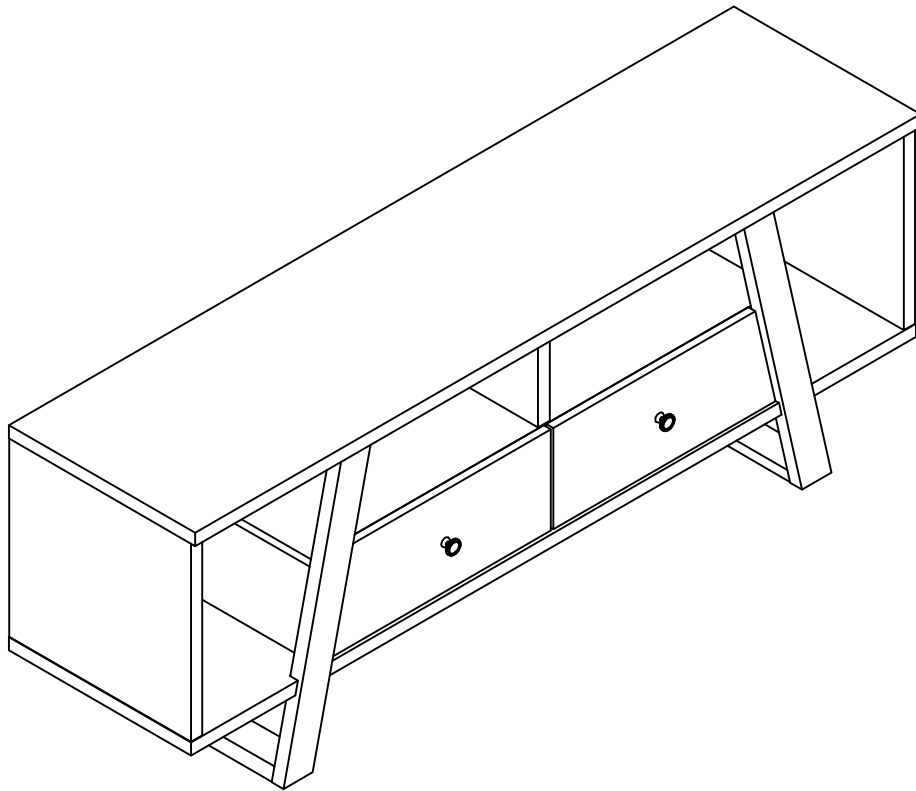


ASSEMBLY INSTRUCTION

ITEM#: 212859



ASSEMBLY INSTRUCTION

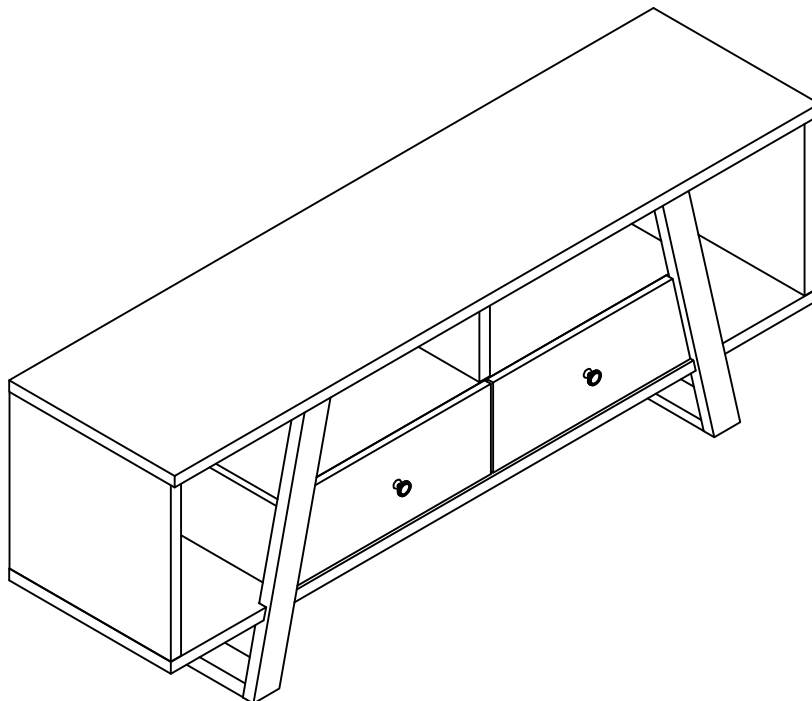
PLEASE READ BEFORE ASSEMBLING!

Tip #1: Make sure you've taken all the pieces and hardware out of its packaging before discarding the box.

Tip #2: Using page 2 and/or page 3 of instruction manual make sure all pieces and hardware are accounted for.

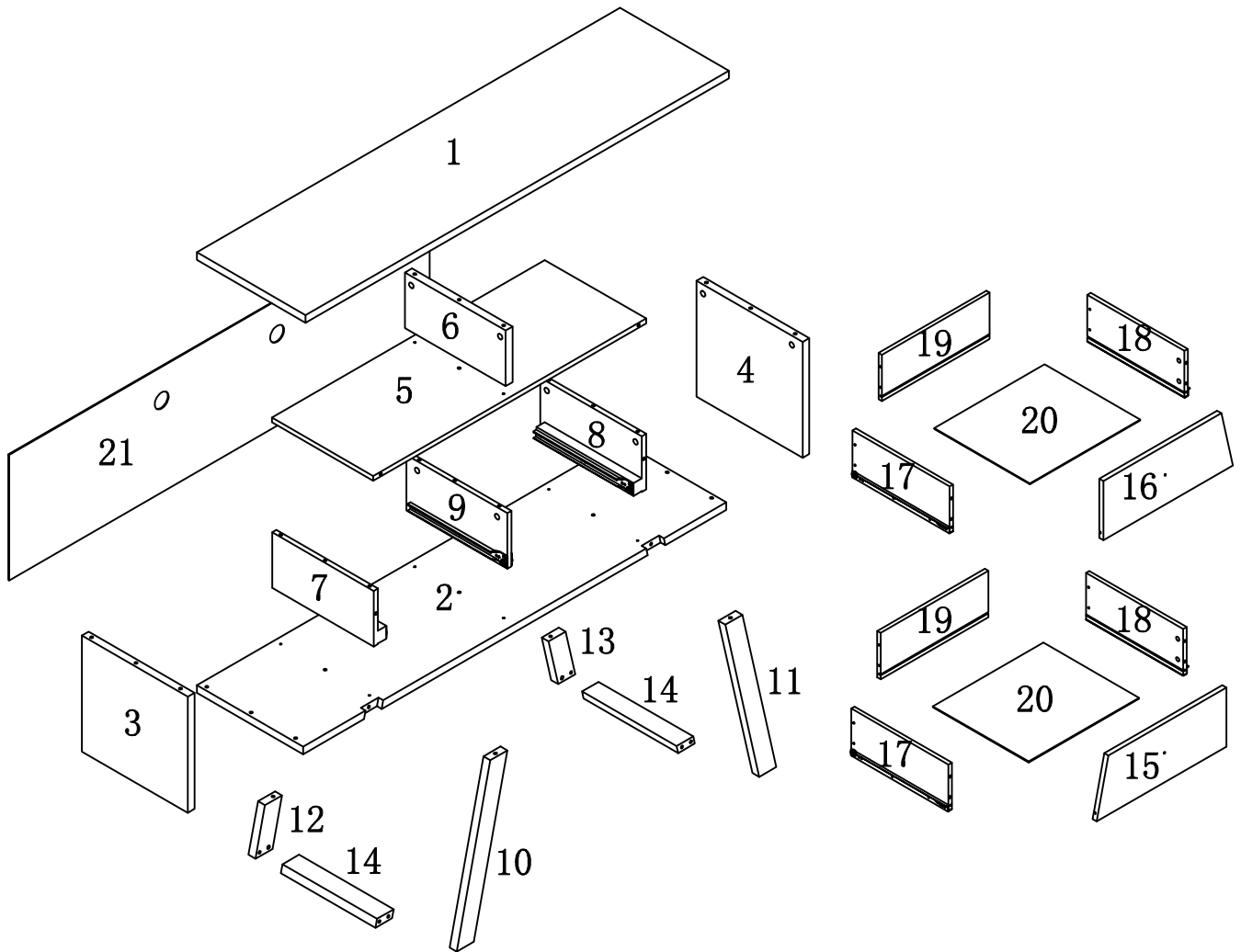
Tip #3: Read manual before assembling, it helps!

ITEM#: 212859



PARTS IDENTIFICATION

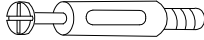


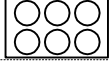




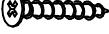
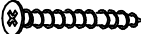
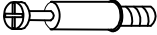



ITEM#: 212859



| | | | | | | | |
|-----|-----|------|-----|------|------|------|------|
| (1) | 1pc | (7) | 1pc | (13) | 1pc | (19) | 2pcs |
| (2) | 1pc | (8) | 1pc | (14) | 2pcs | (20) | 2pcs |
| (3) | 1pc | (9) | 1pc | (15) | 1pc | (21) | 1pc |
| (4) | 1pc | (10) | 1pc | (16) | 1pc | | |
| (5) | 1pc | (11) | 1pc | (17) | 2pcs | | |
| (6) | 1pc | (12) | 1pc | (18) | 2pcs | | |

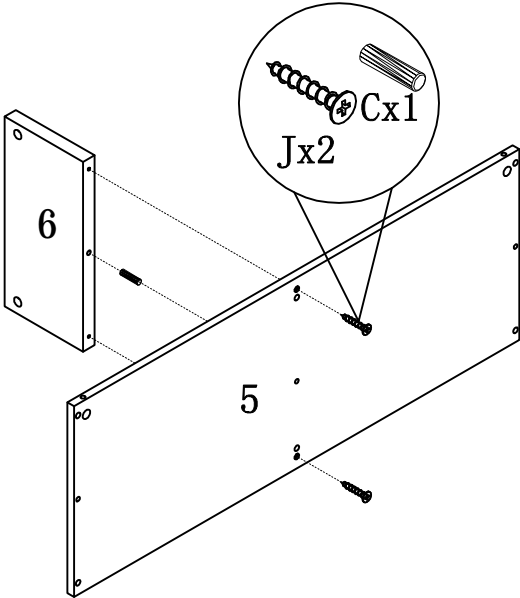
HARDWARE IDENTIFICATION

ITEM#: 212859

| | | | |
|---|---|----------|-------|
| A |  | L29 | 26pcs |
| B |  | Ø15 | 26pcs |
| C |  | Ø8x25 | 18pcs |
| D |  | Ø22 | 6pcs |
| E |  | Ø7x48 | 4pcs |
| F |  | Ø8xØ16x2 | 4pcs |
| G |  | | 38pcs |
| H |  | Ø16 | 4pcs |
| I |  | Ø4x30 | 8pcs |
| J |  | Ø4x40 | 8pcs |
| K |  | L20 | 8pcs |
| L |  | Ø12 | 8pcs |
| M |  | H5303 | 2pcs |
| N |  | Ø4x20 | 2pcs |

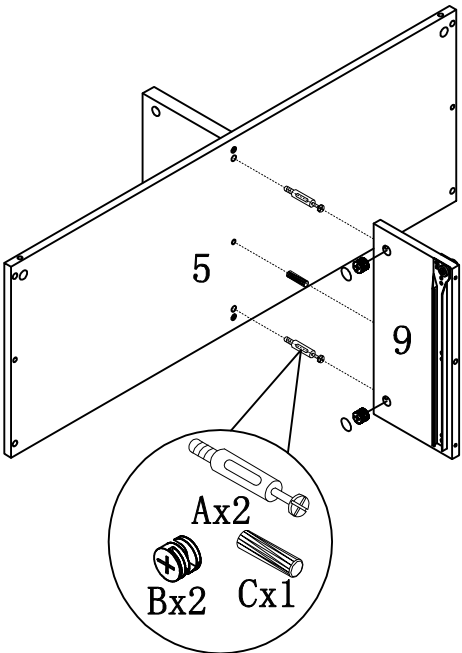
ASSEMBLY INSTRUCTION

ITEM#: 212859



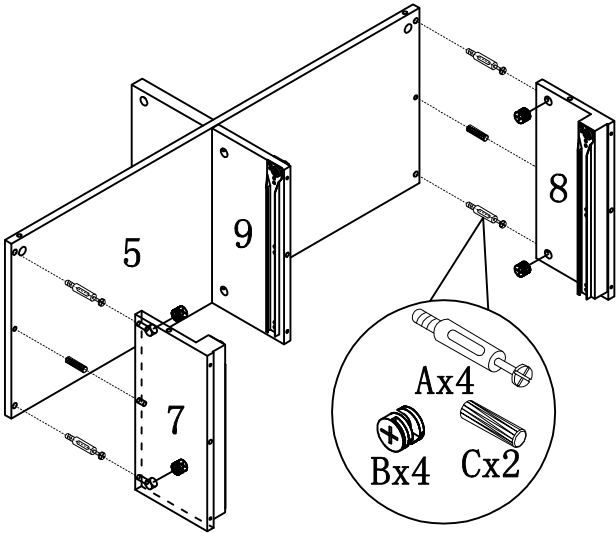
STEP 1

STEP 2



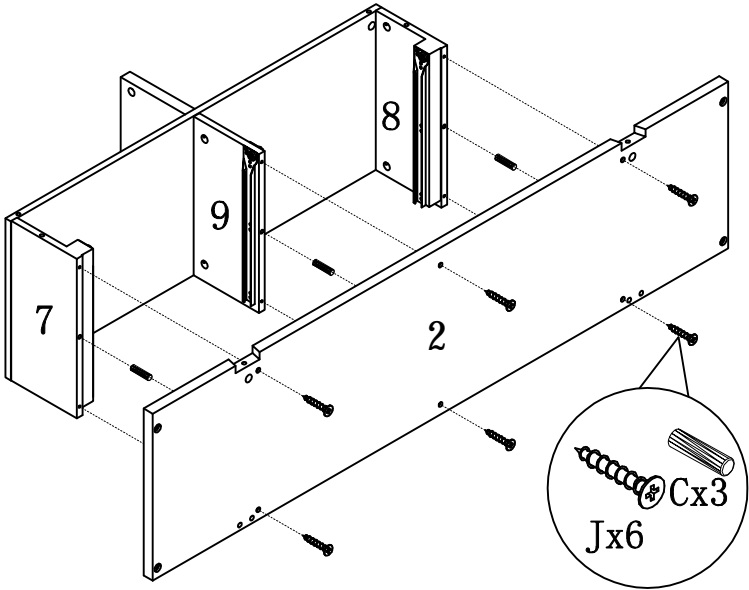
ASSEMBLY INSTRUCTION

ITEM#: 212859



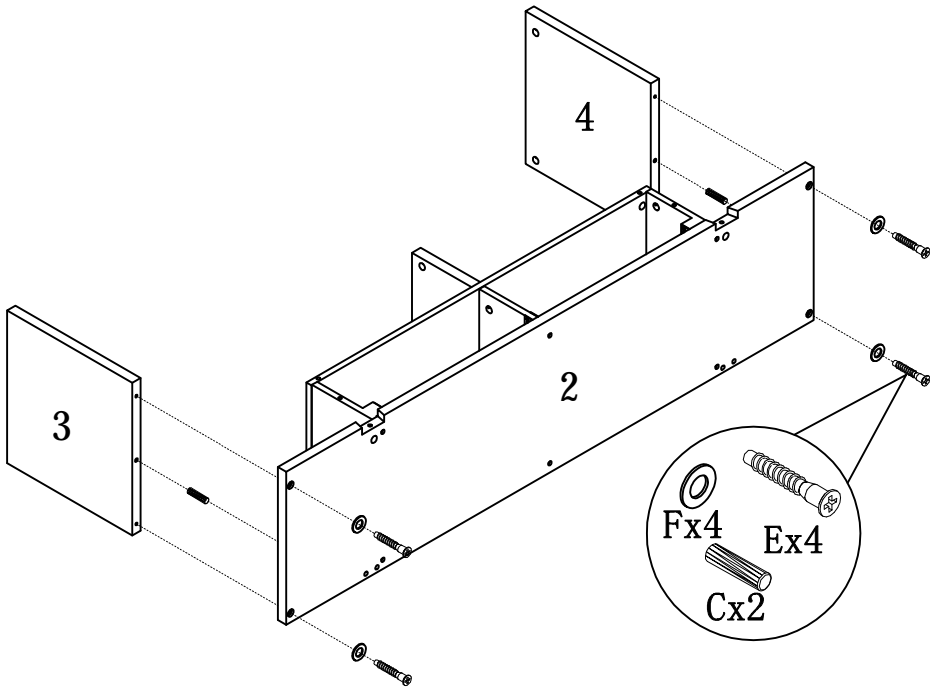
STEP3

STEP4



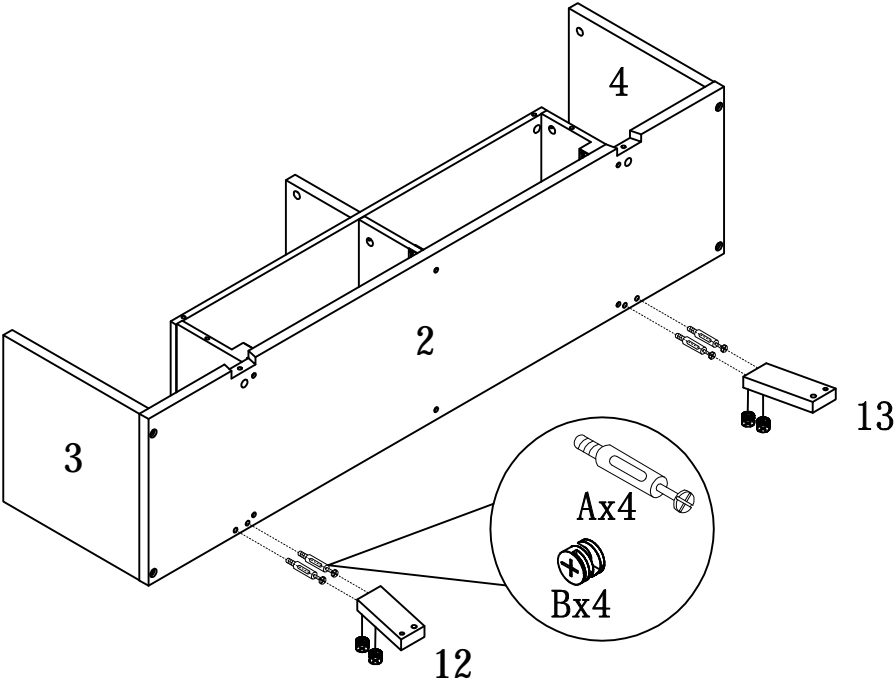
ASSEMBLY INSTRUCTION

ITEM#: 212859



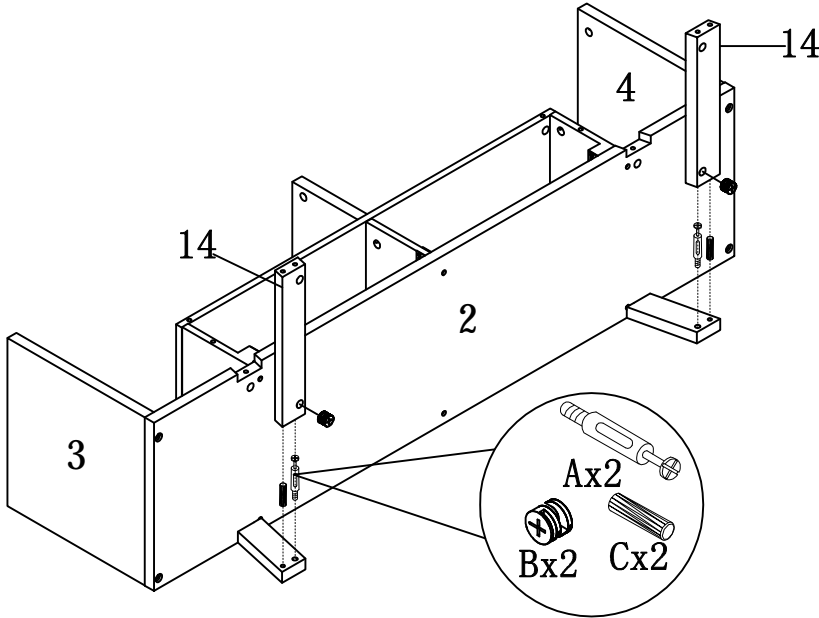
STEP5

STEP6



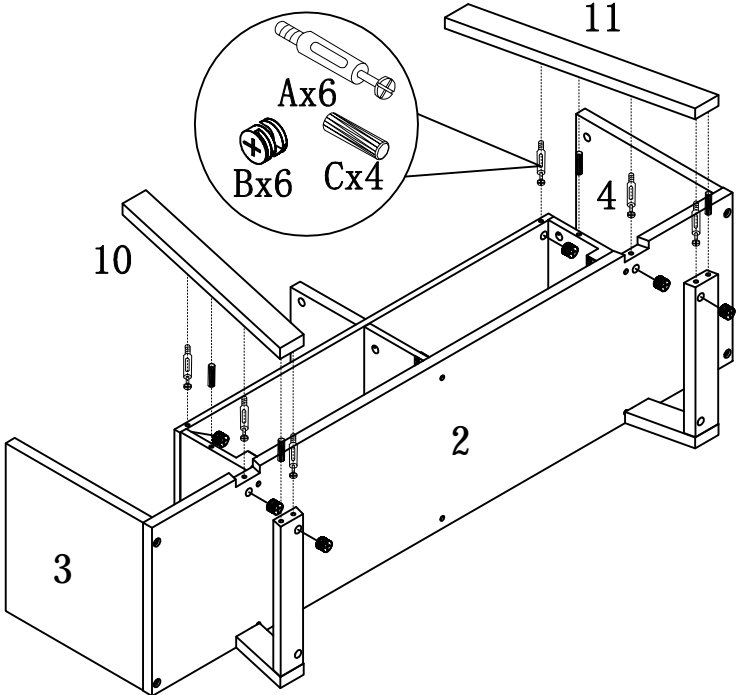
ASSEMBLY INSTRUCTION

ITEM#: 212859



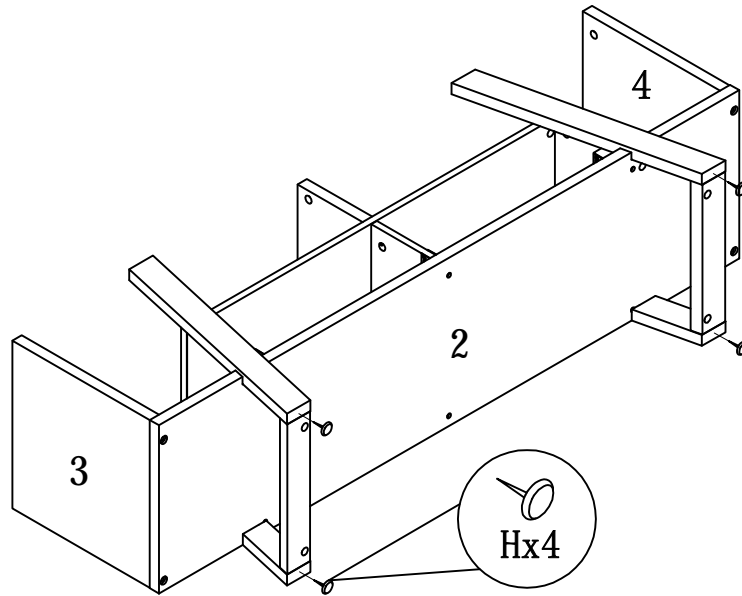
STEP7

STEP8



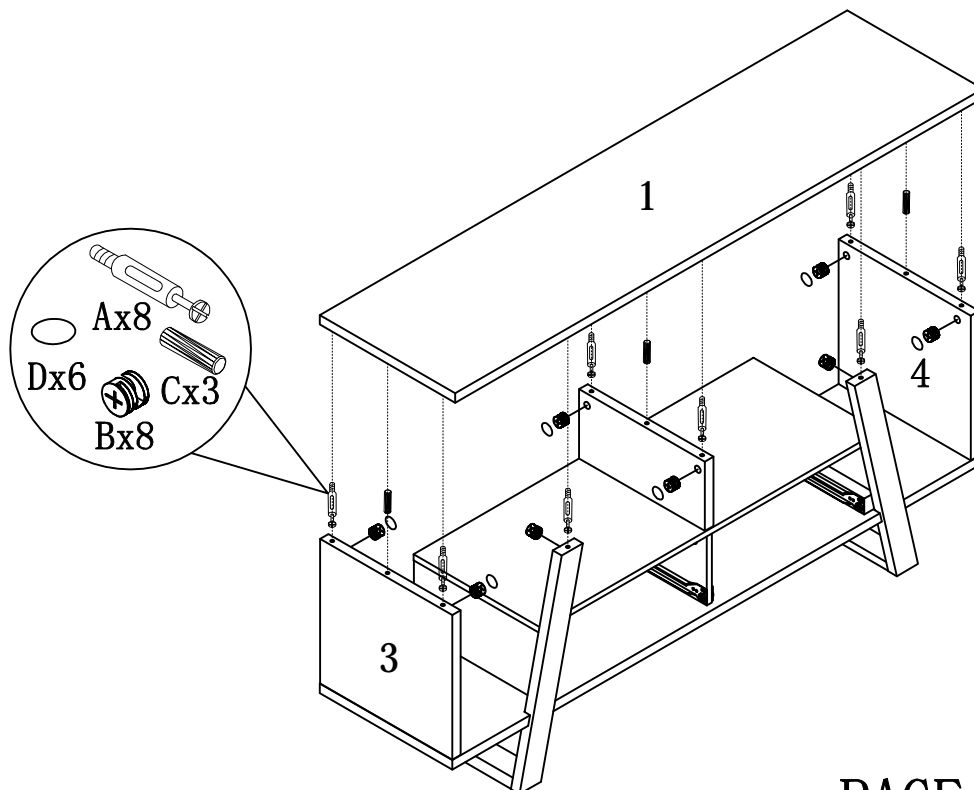
ASSEMBLY INSTRUCTION

ITEM#: 212859



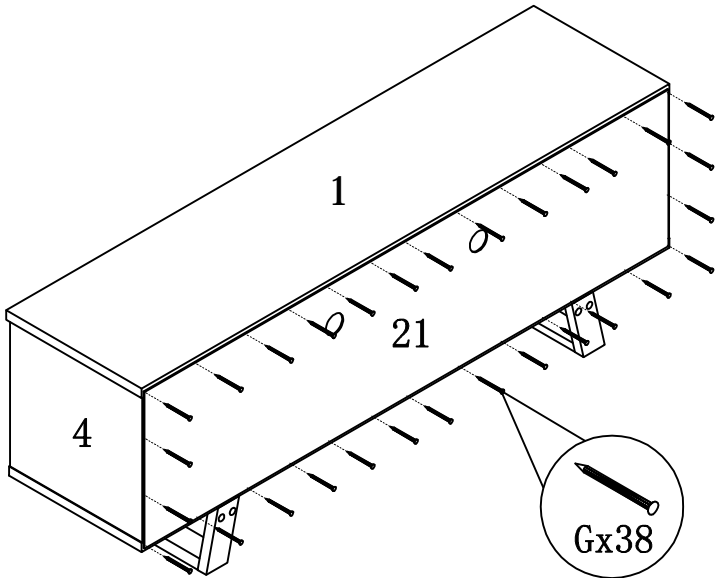
STEP9

STEP10



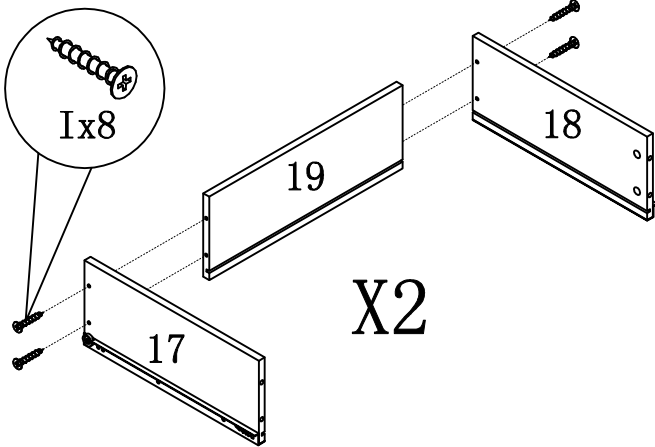
ASSEMBLY INSTRUCTION

ITEM#: 212859



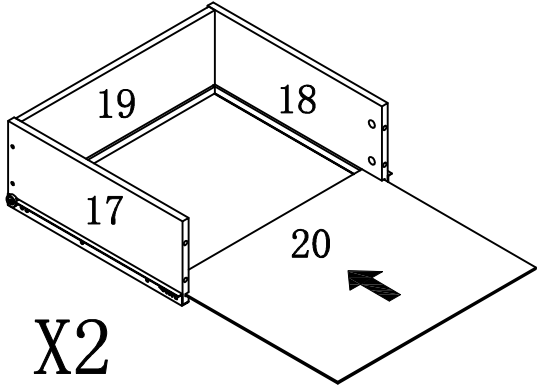
STEP 11

STEP 12



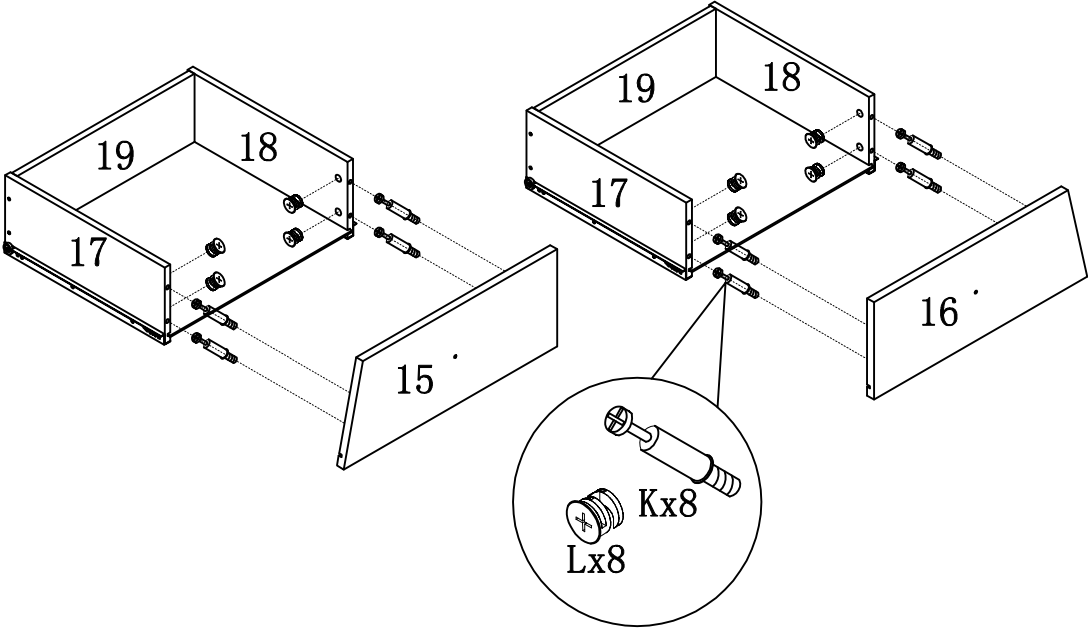
ASSEMBLY INSTRUCTION

ITEM#: 212859



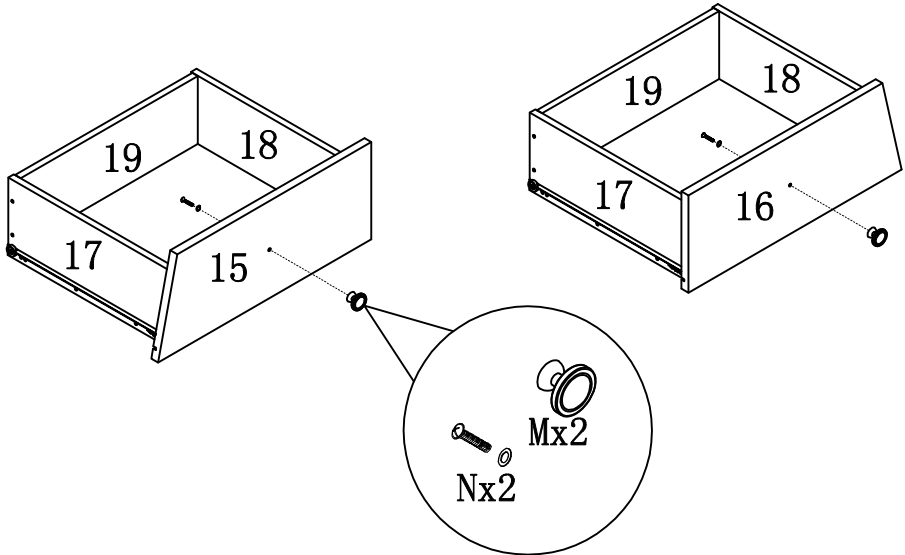
STEP13

STEP14



ASSEMBLY INSTRUCTION

ITEM#: 212859



STEP 15

STEP 16

