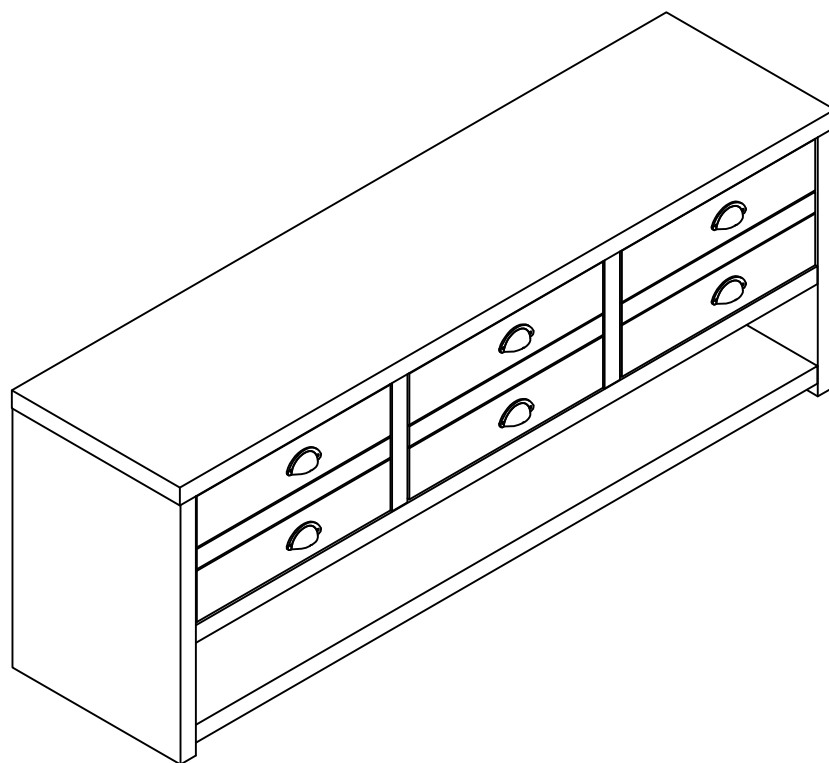


ASSEMBLY INSTRUCTION

ITEM#: 212884TV



ASSEMBLY INSTRUCTION

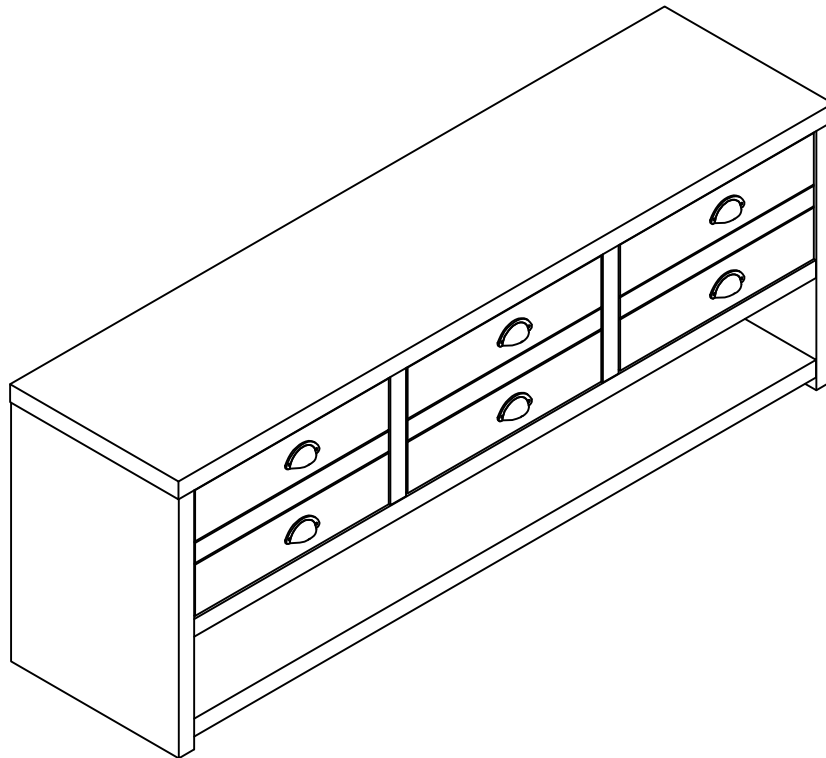
PLEASE READ BEFORE ASSEMBLING!

Tip #1: Make sure you've taken all the pieces and hardware out of its packaging before discarding the box. Assembly on top of flattened box/blanket is recommended.

Tip #2: Using page 2 and/or page 3 of instruction manual make sure all pieces and hardware are accounted for.

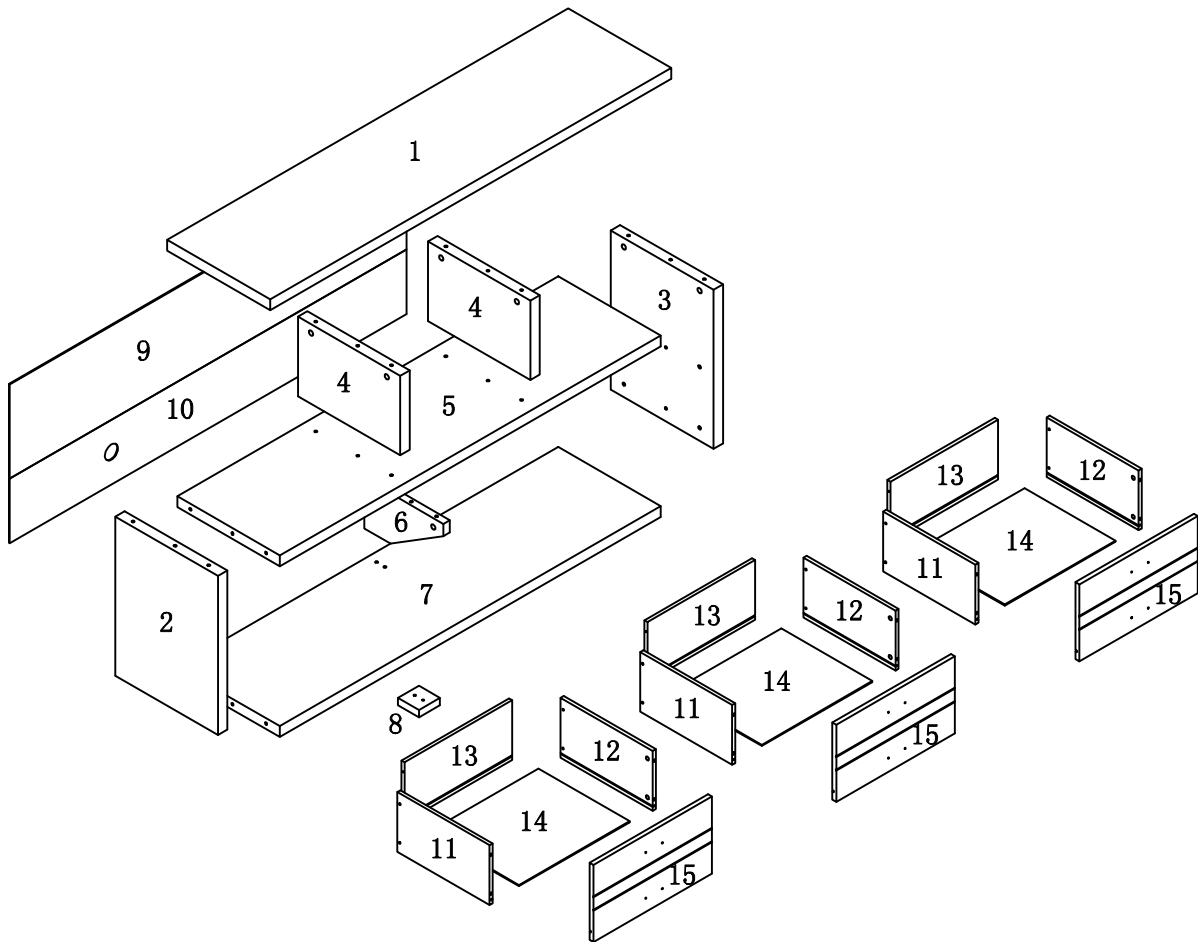
Tip #3: Note position of all holes on each panel during assembly.

ITEM#: 212884TV



PARTS IDENTIFICATION

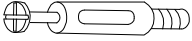

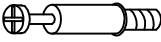


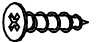
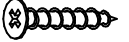
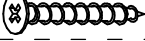






ITEM#: 212884TV



(1)	1pc	(6)	1pc	(11)	3pcs
(2)	1pc	(7)	1pc	(12)	3pcs
(3)	1pc	(8)	1pc	(13)	3pcs
(4)	2pcs	(9)	1pc	(14)	3pcs
(5)	1pc	(10)	1pc	(15)	3pcs

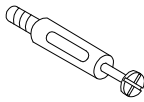

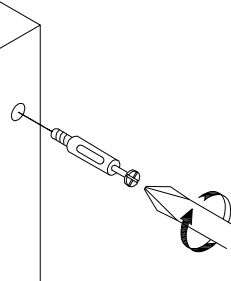
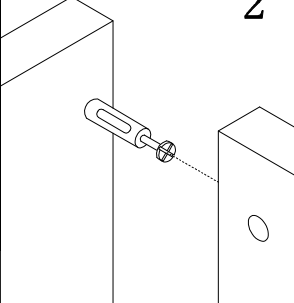
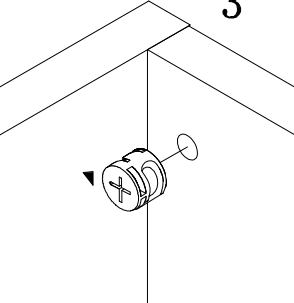
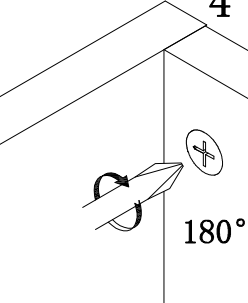
HARDWARE IDENTIFICATION

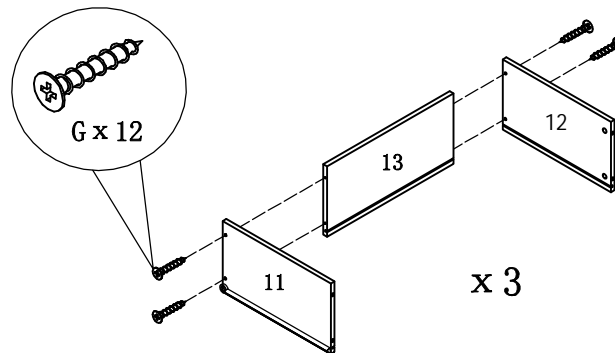
ITEM#: 212884TV

A		L29	18pcs
B		ø15	18pcs
C		L20	12pcs
D		ø12	12pcs
E		ø8x25	12pcs
F		ø4x16	12pcs
G		ø4x30	12pcs
H		ø4x45	2pcs
I			28pcs
J		ø22	2pcs
K		ø16	4pcs
L		ø7x48	5pcs
M		ø16xø8x2	5pcs
N			6pcs

ASSEMBLY INSTRUCTION

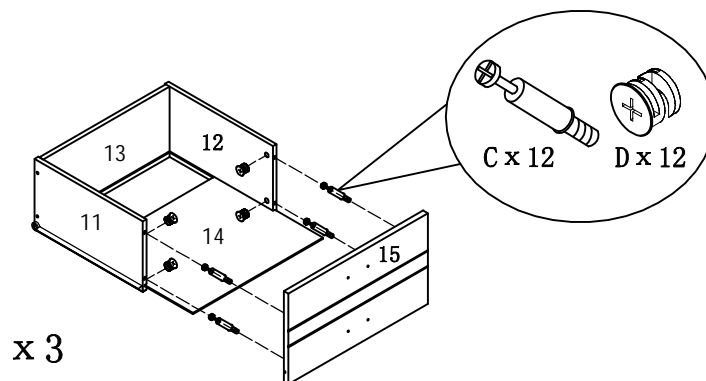
ITEM#: 212884TV

<p>HOW TO</p>  <p>Cam Bolt</p>  <p>Cam Lock</p>	<p>1</p>  <p>1. Screw Cam Bolt into panel.</p>	<p>2</p>  <p>2. Insert Cam Bolt into bolt hole of joining panel.</p>	<p>3</p>  <p>3. Insert Cam Lock. arrow facing bolt.</p>	<p>4</p>  <p>4. Gently turn Cam Lock clockwise to lock position.</p>
---	---	---	---	---



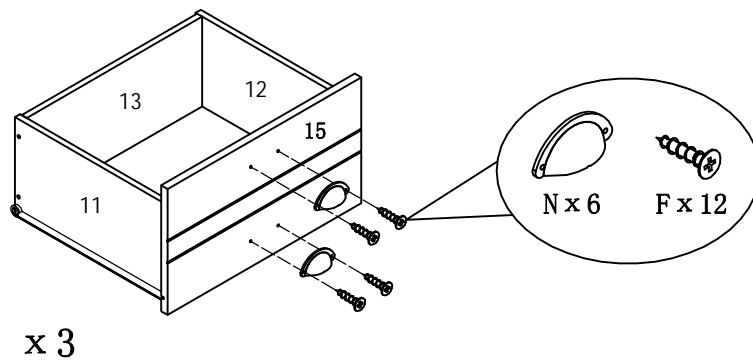
STEP1

STEP2



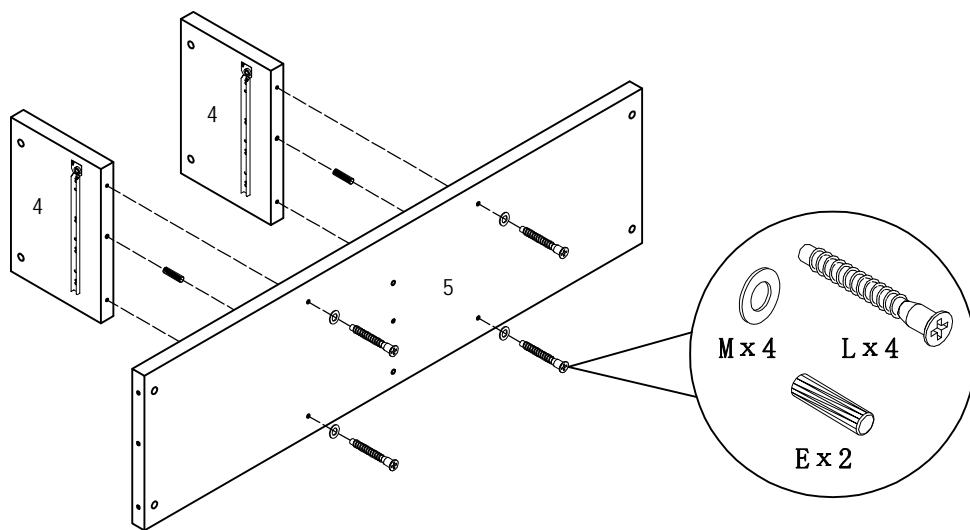
ASSEMBLY INSTRUCTION

ITEM#: 212884TV



STEP3

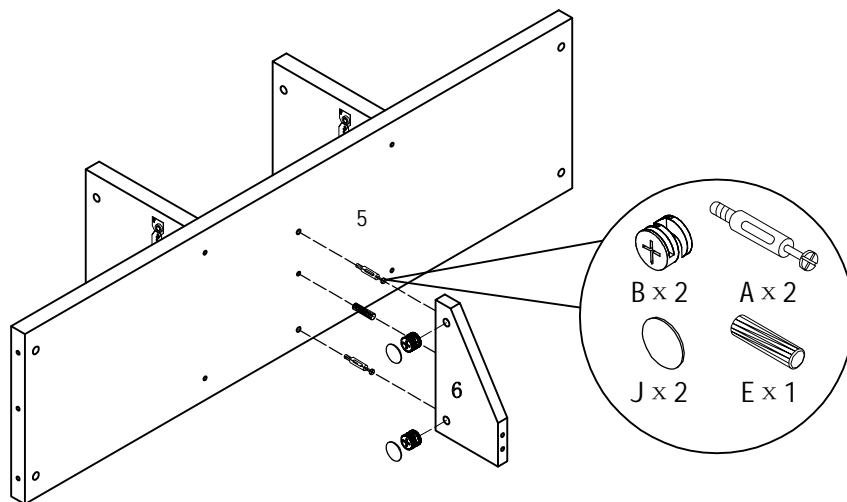
STEP4



PAGE 5 OF 9

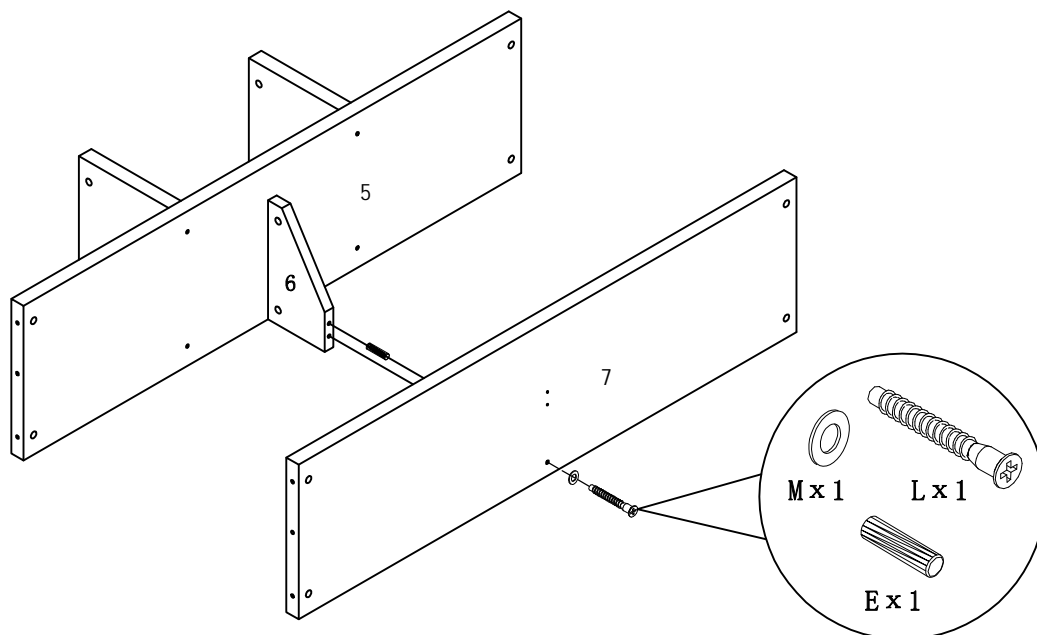
ASSEMBLY INSTRUCTION

ITEM#: 212884TV



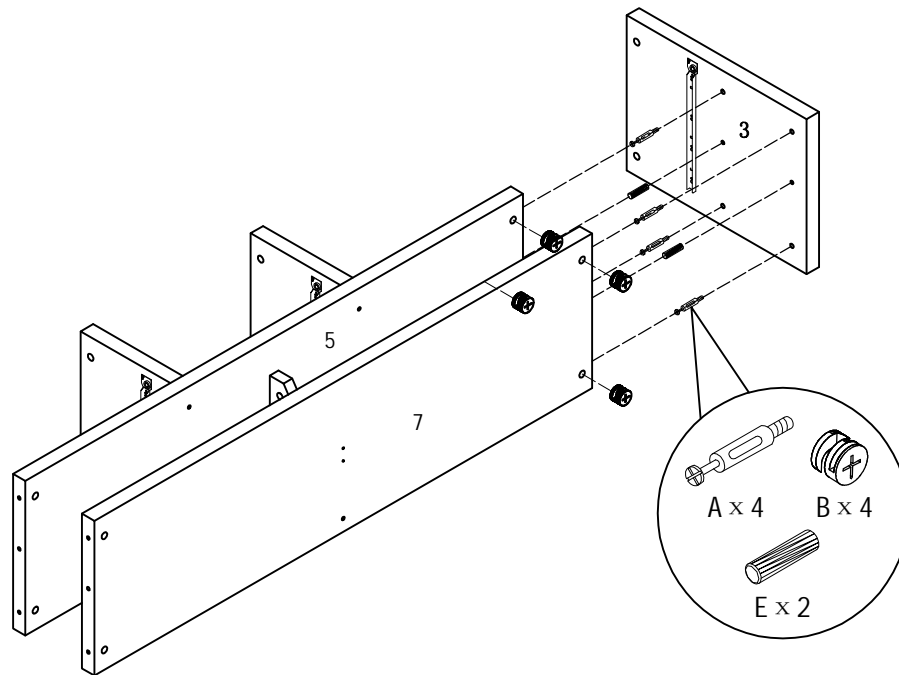
STEP5

STEP6



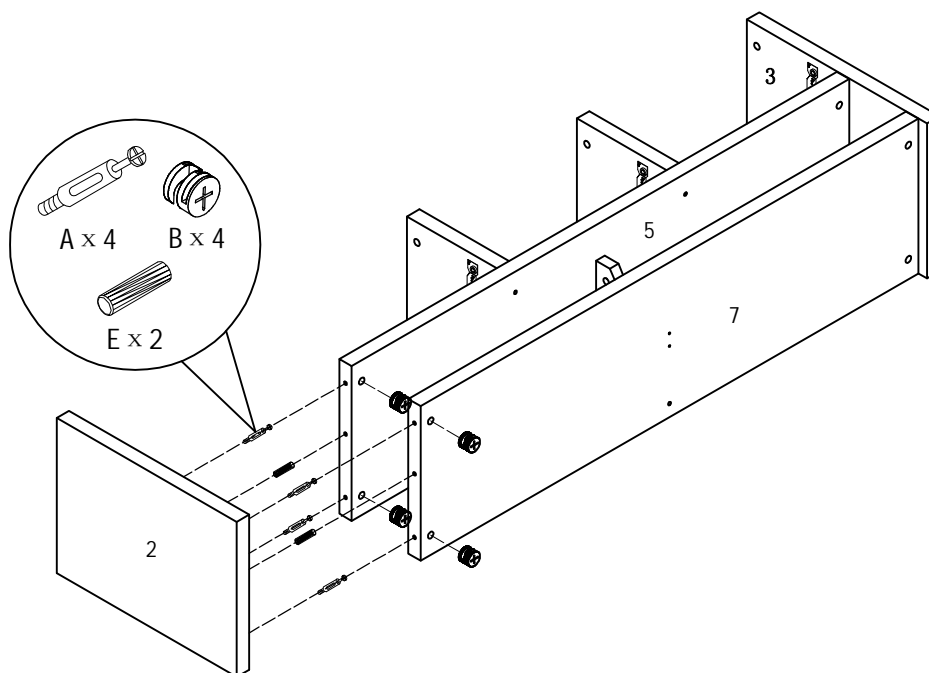
ASSEMBLY INSTRUCTION

ITEM#: 212884TV



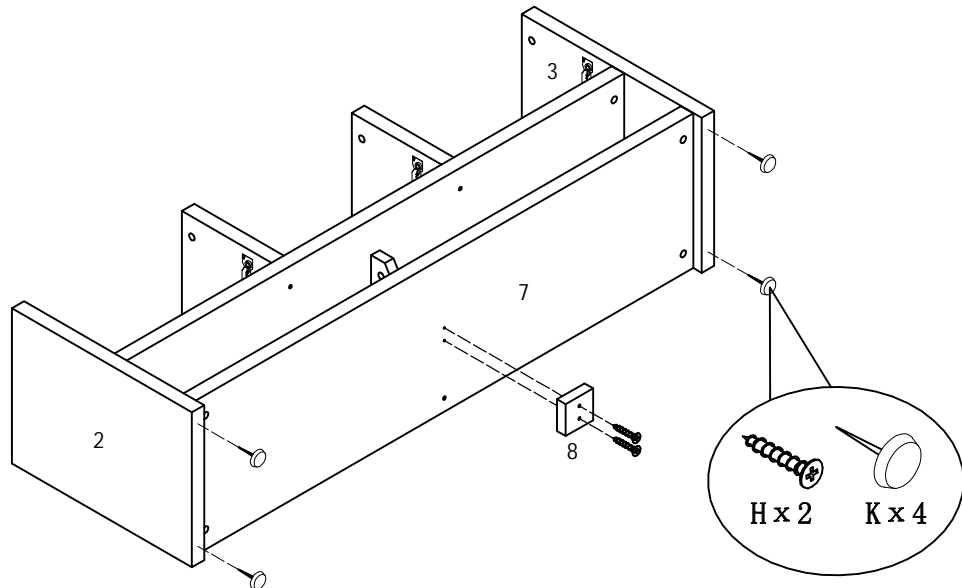
STEP 7

STEP 8



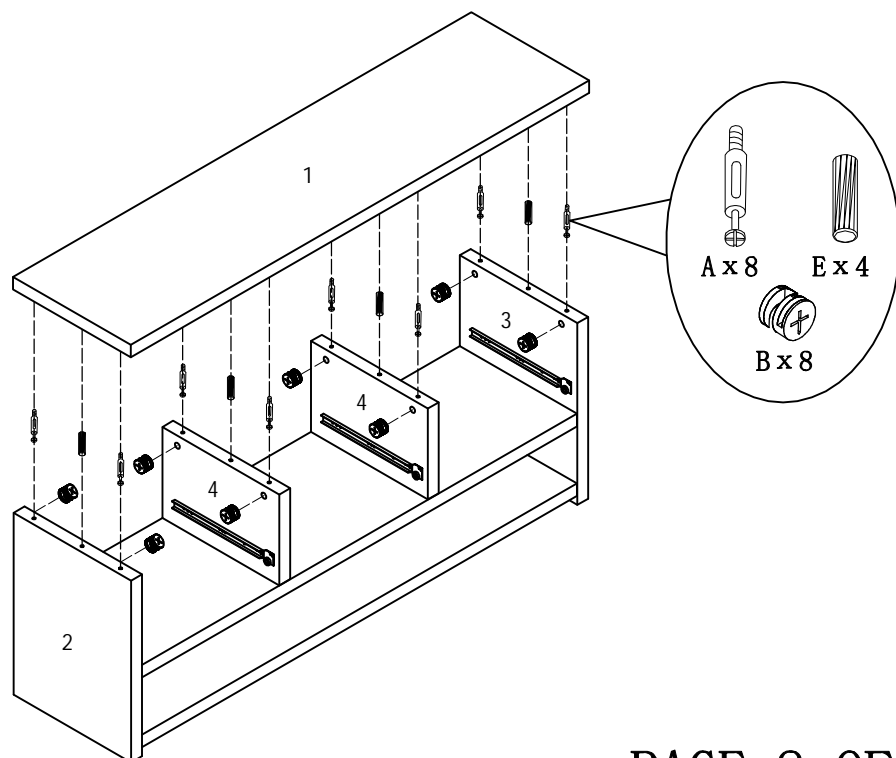
ASSEMBLY INSTRUCTION

ITEM#: 212884TV



STEP9

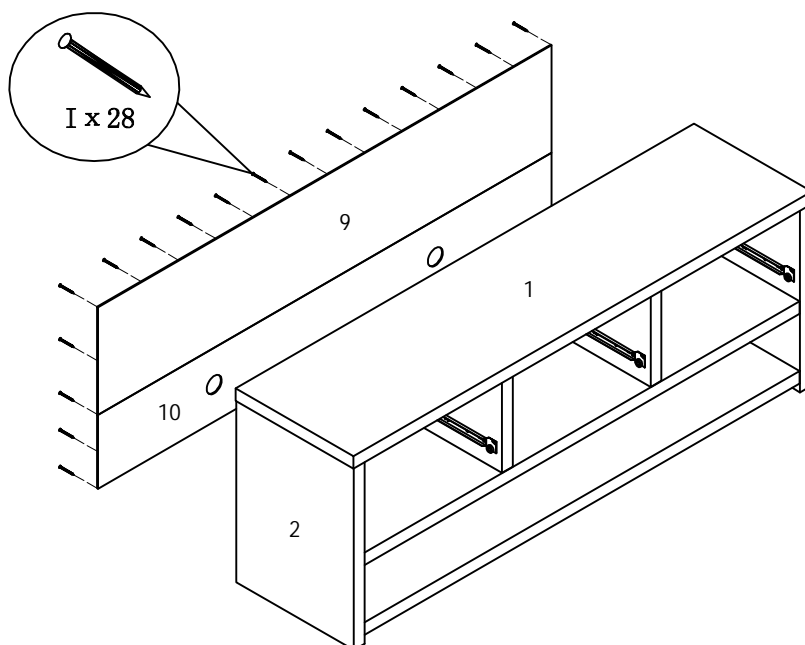
STEP10



PAGE 8 OF 9

ASSEMBLY INSTRUCTION

ITEM#: 212884TV



STEP 11

STEP 12

