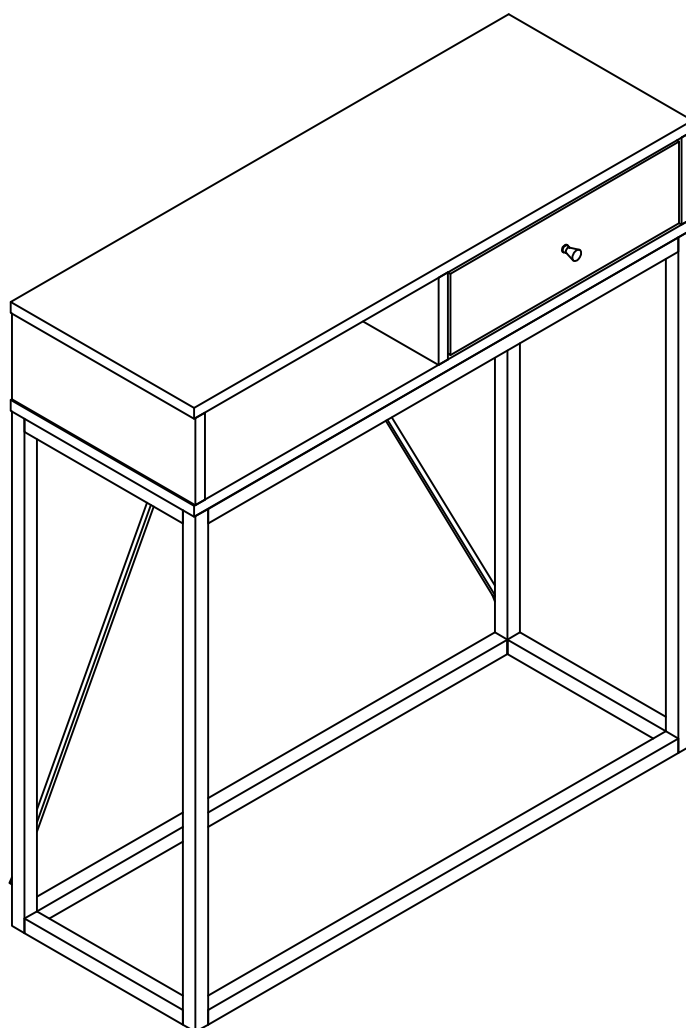


ASSEMBLY INSTRUCTION

ITEM#: 223138 223139 223140



ASSEMBLY INSTRUCTION

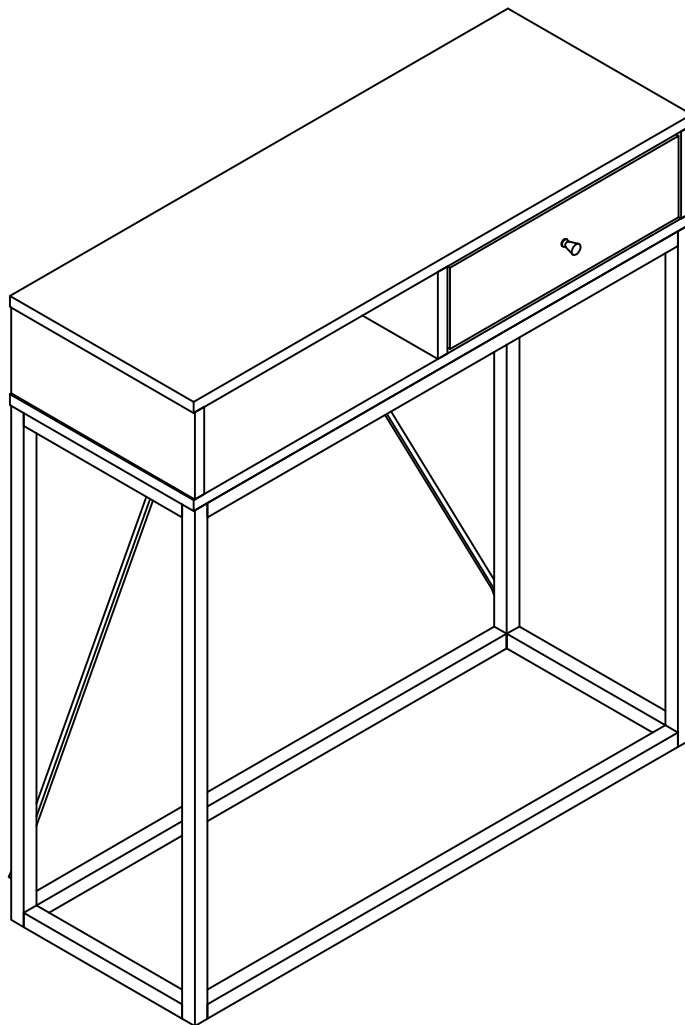
PLEASE READ BEFORE ASSEMBLING!

Tip #1: Make sure you've taken all the pieces and hardware out of its packaging before discarding the box.

Tip #2: Using page 2 and/or page 3 of instruction manual make sure all pieces and hardware are accounted for.

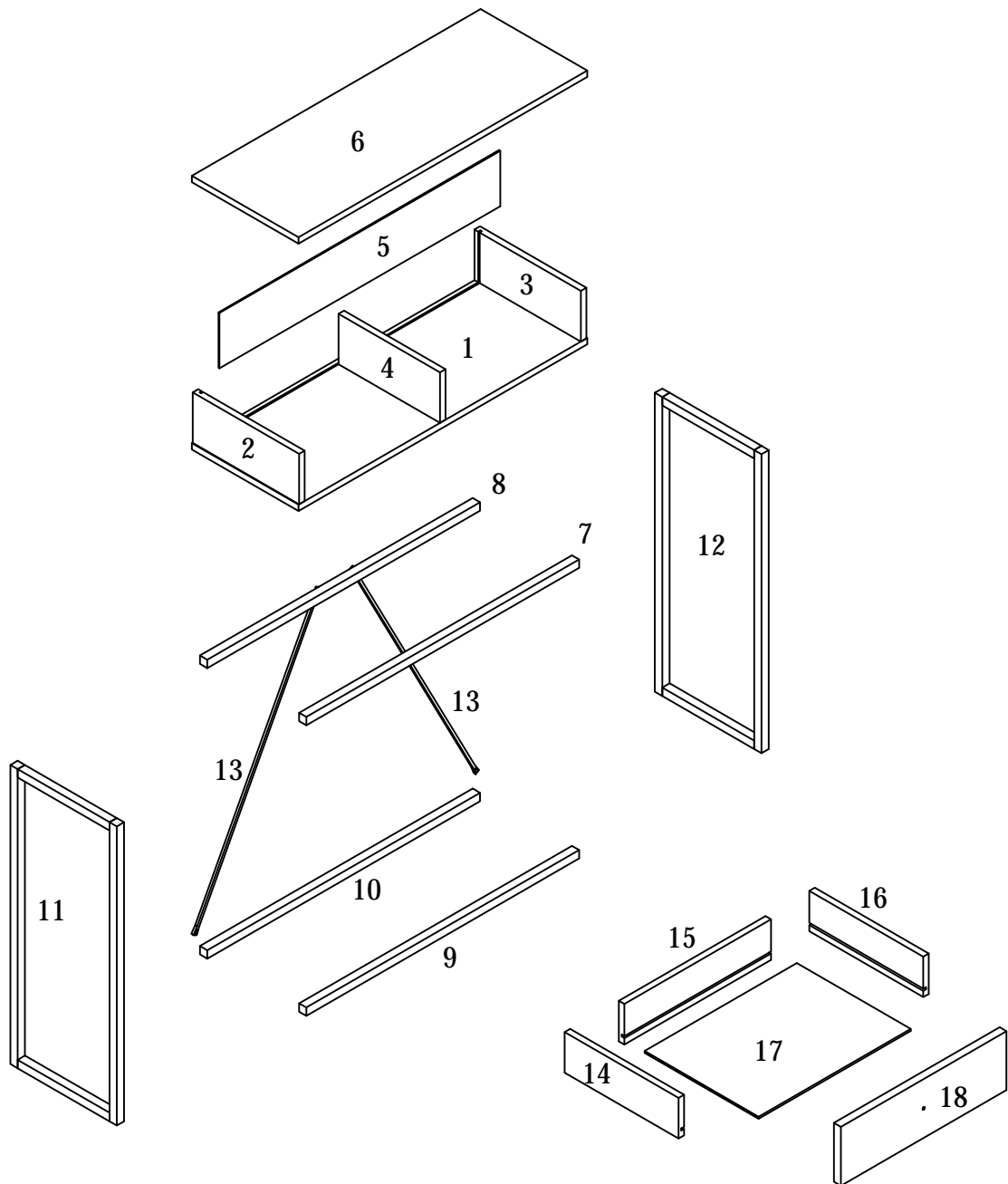
Tip #3: Read manual before assembling, it helps!

ITEM#: 223138 223139 223140



PARTS IDENTIFICATION




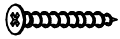

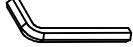

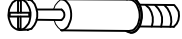


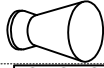

ITEM#: 223138 223139 223140



(1)	1pc	(7)	1pc	(13)	2pcs
(2)	1pc	(8)	1pc	(14)	1pc
(3)	1pc	(9)	1pc	(15)	1pc
(4)	1pc	(10)	1pc	(16)	1pc
(5)	1pc	(11)	1pc	(17)	1pc
(6)	1pc	(12)	1pc	(18)	1pc

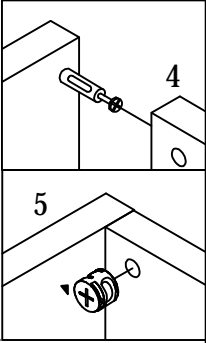
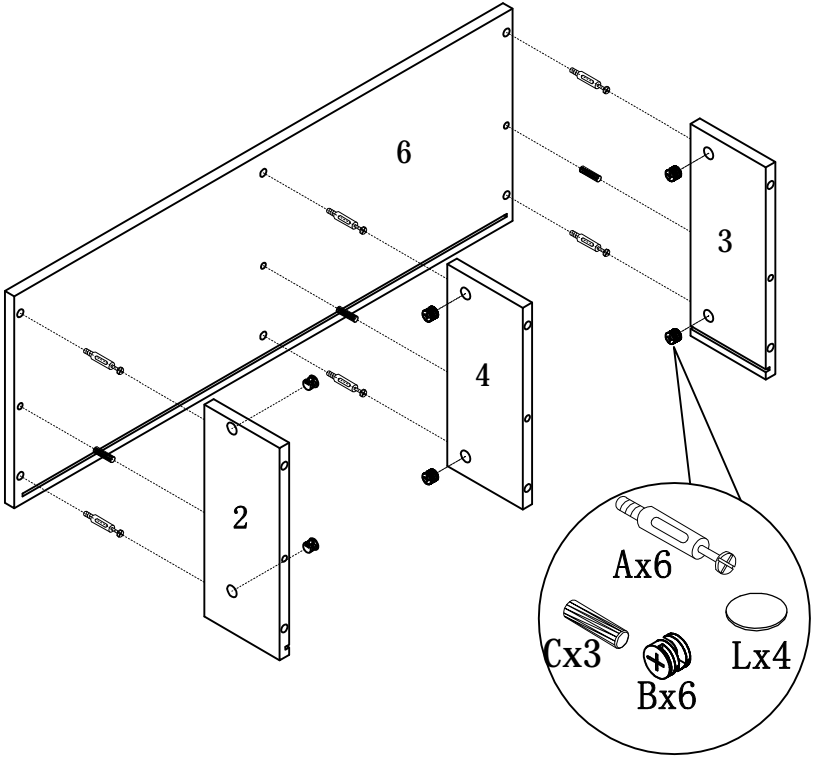
PAGE: 2 OF 8

HARDWARE IDENTIFICATION

A		L29	6pcs
B		φ15	6pcs
C		φ8x25	6pcs
D		φ4x30	10pcs
E		φ6x30	16pcs
F		M4	1pc
G		φ6x12	4pcs
H		L20	4pcs
I		φ12	4pcs
J		φ4x20	1pc
K			1pc
L		φ18	4pcs

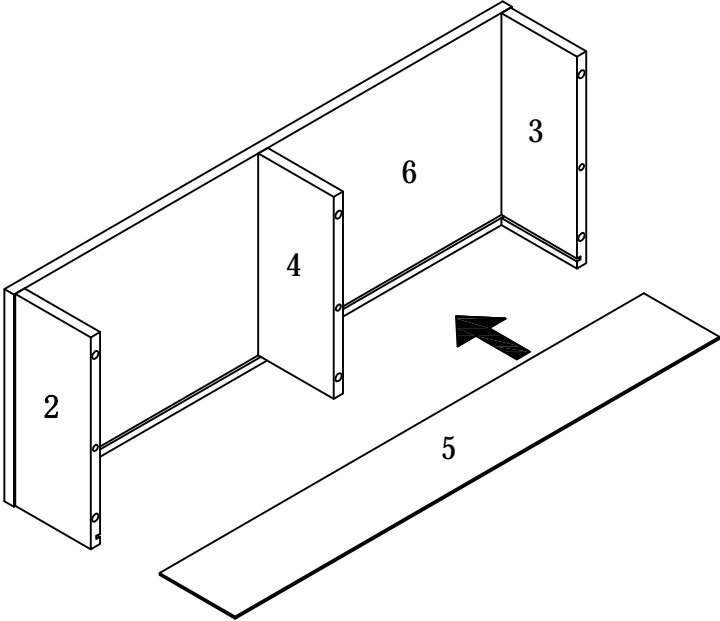
ASSEMBLY INSTRUCTION

ITEM#: 223138 223139 223140



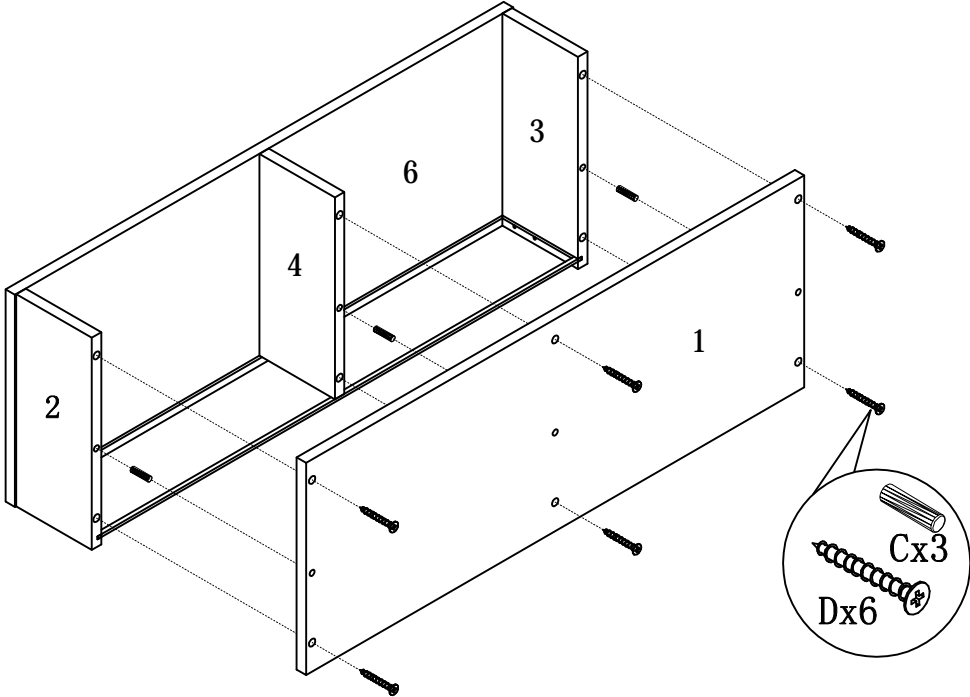
STEP1

STEP2



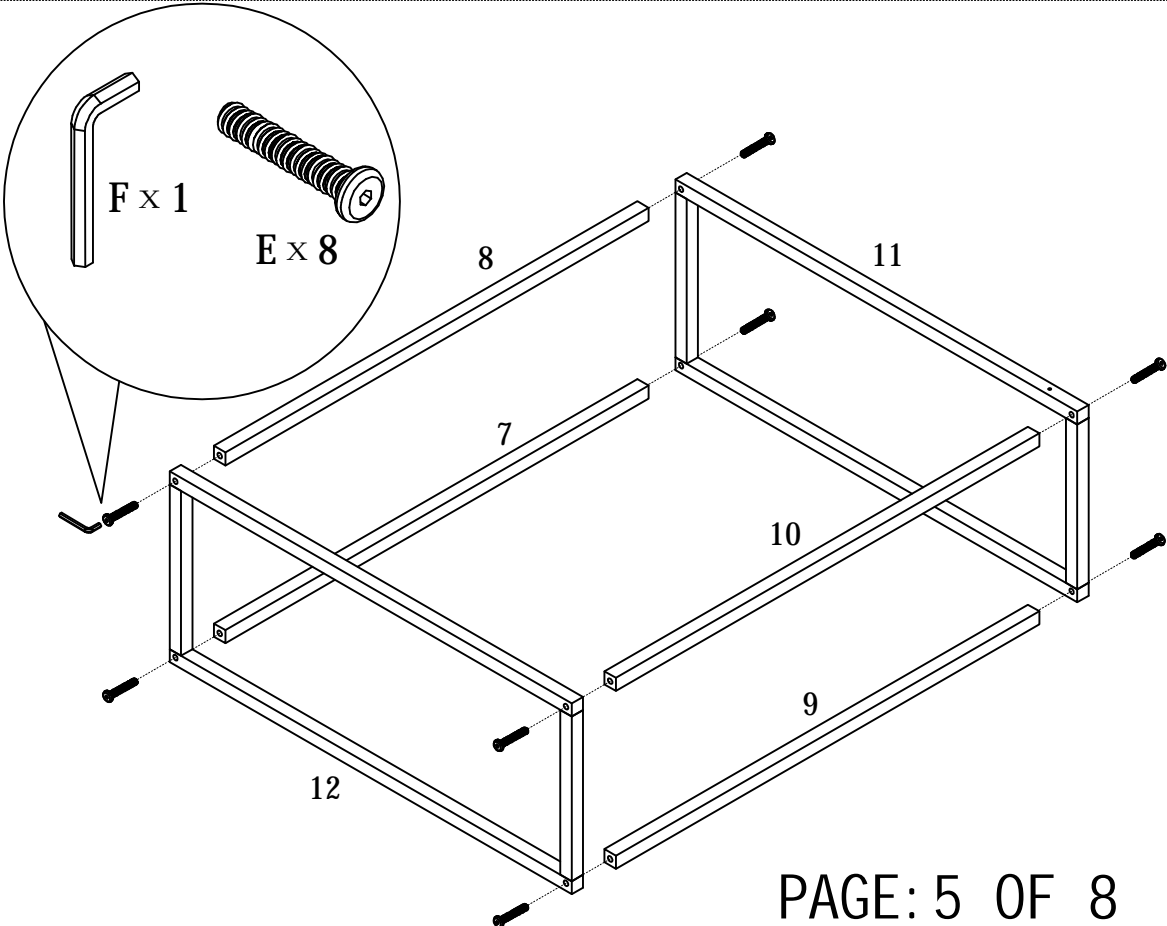
ASSEMBLY INSTRUCTION

ITEM#: 223138 223139 223140



STEP3

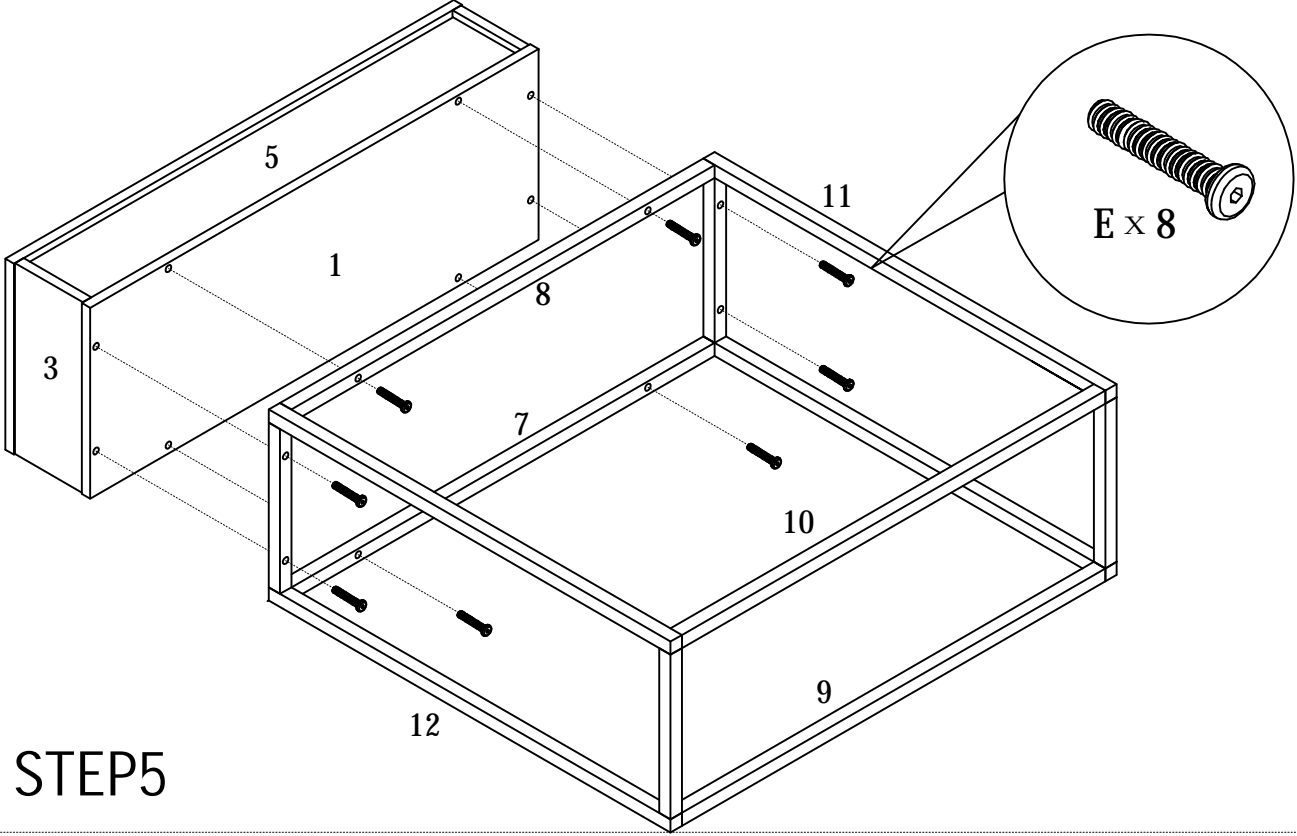
STEP4



PAGE: 5 OF 8

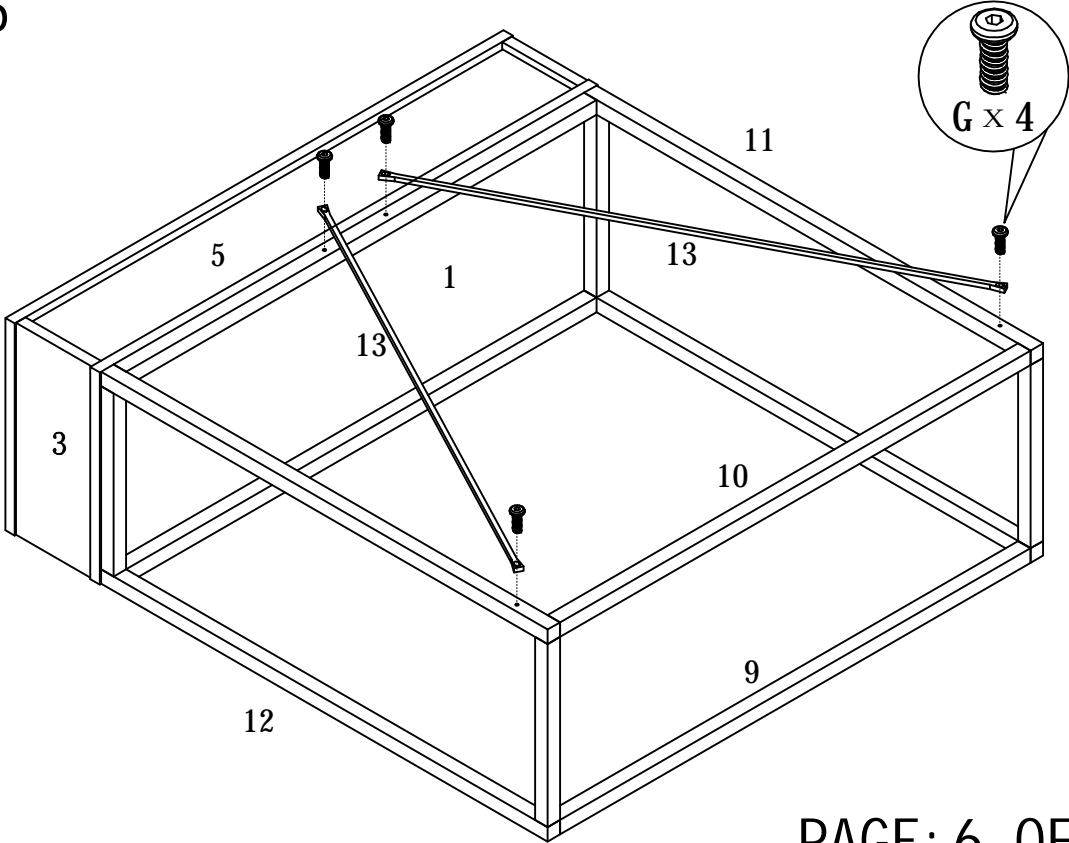
ASSEMBLY INSTRUCTION

ITEM#: 223138 223139 223140



STEP5

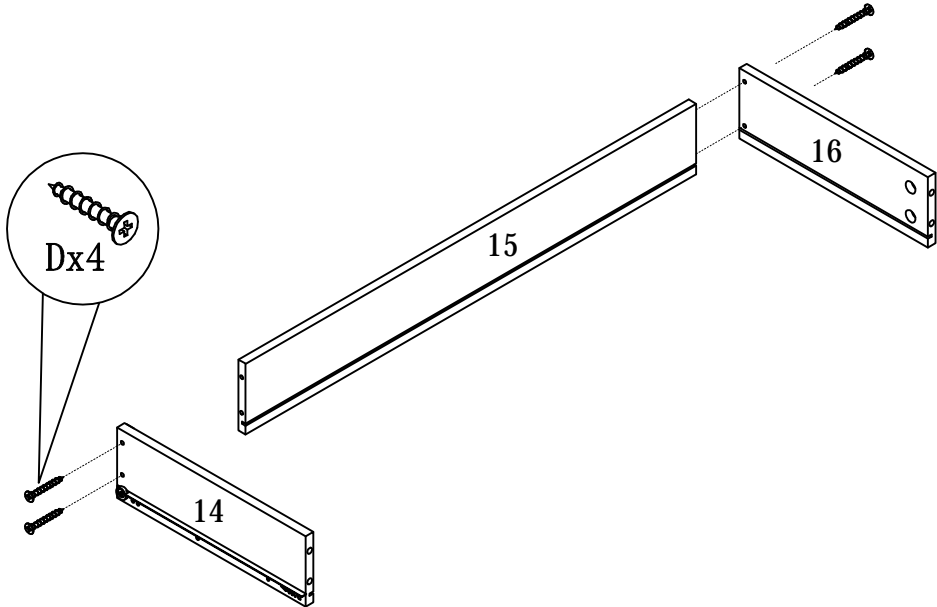
STEP6



PAGE: 6 OF 8

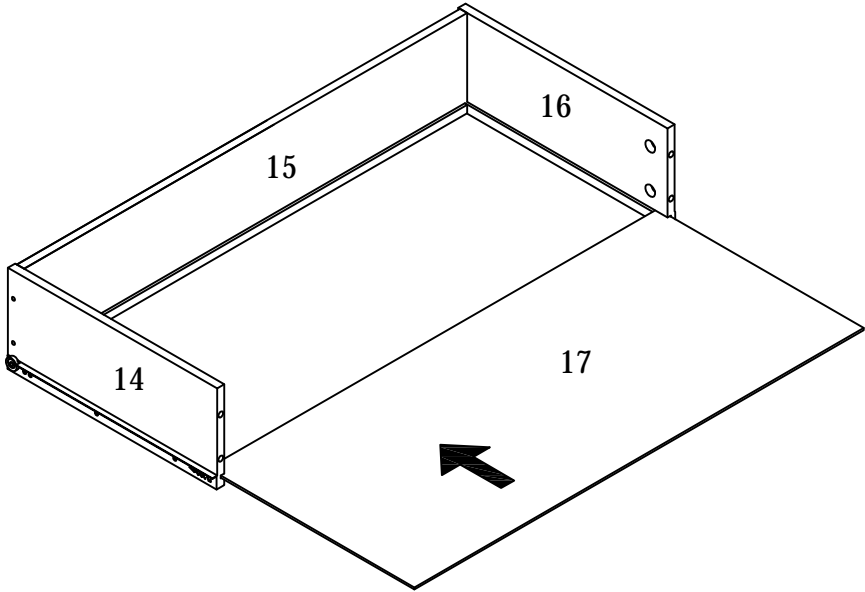
ASSEMBLY INSTRUCTION

ITEM#: 223138 223139 223140



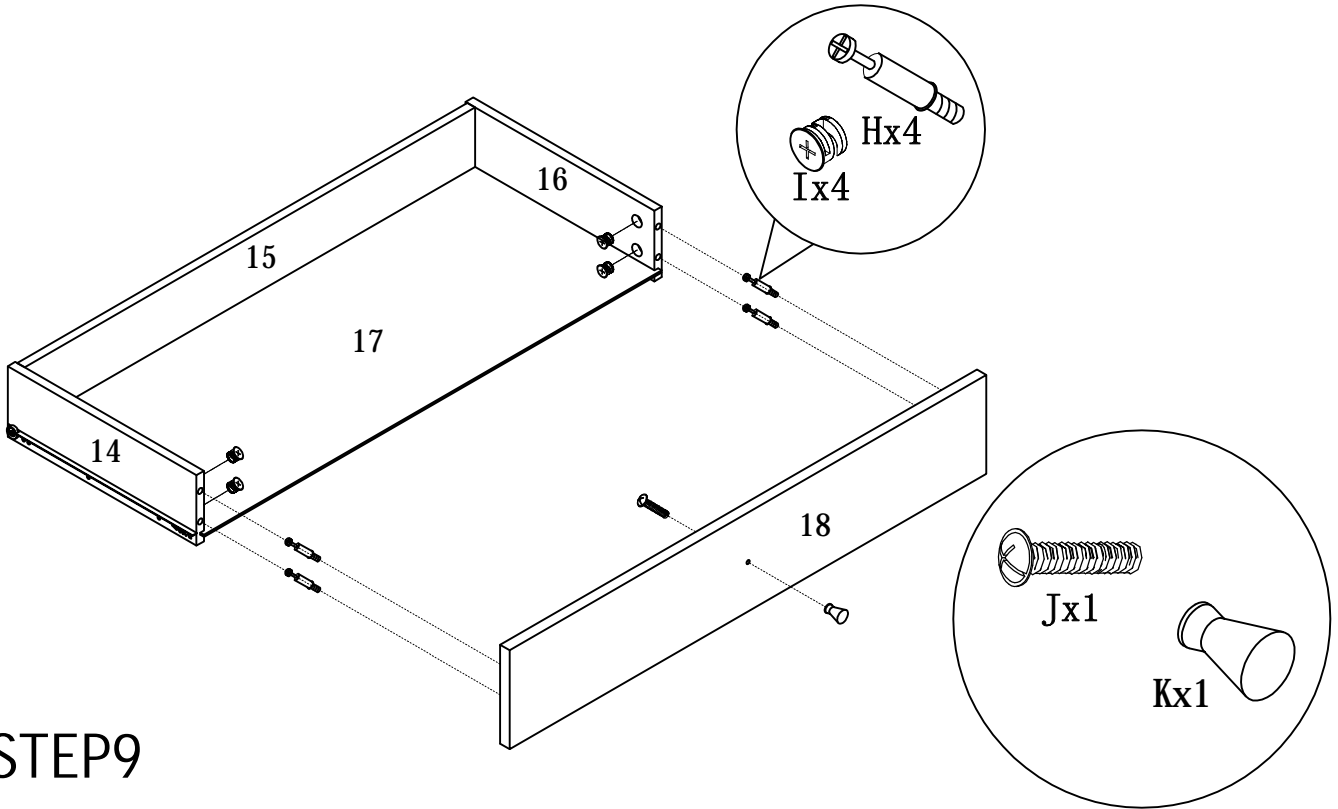
STEP7

STEP8



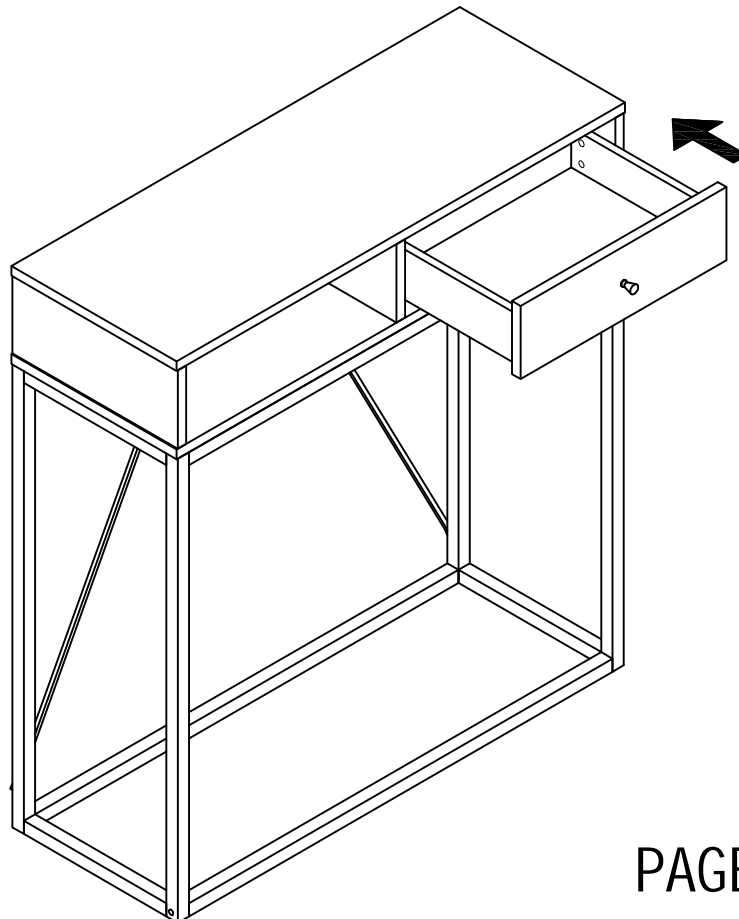
ASSEMBLY INSTRUCTION

ITEM#: 223138 223139 223140



STEP 9

STEP 10



PAGE: 8 OF 8