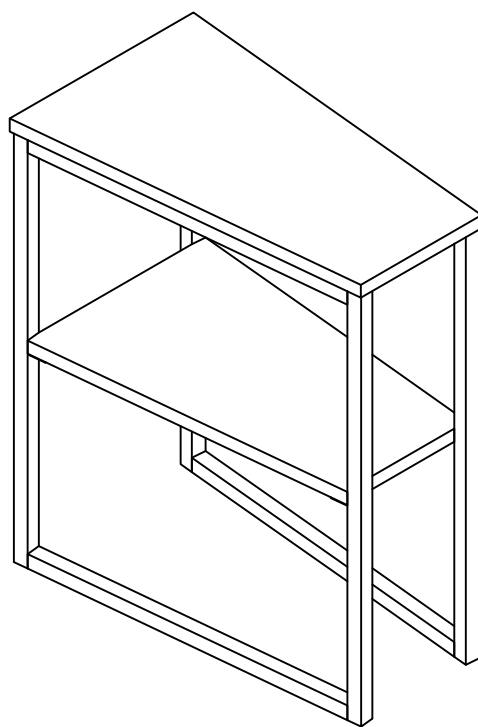


ASSEMBLY INSTRUCTION

ITEM#: 223153 223154 223155



ASSEMBLY INSTRUCTION

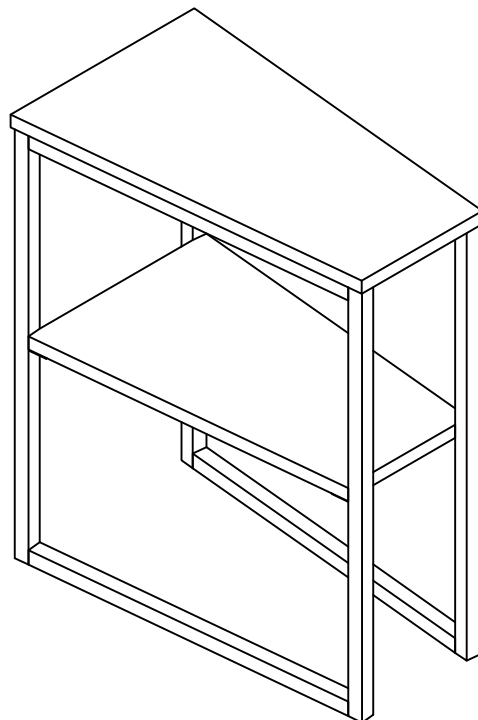
PLEASE READ BEFORE ASSEMBLING!

Tip #1: Make sure you've taken all the pieces and hardware out of its packaging before discarding the box.

Tip #2: Using page 2 and/or page 3 of instruction manual make sure all pieces and hardware are accounted for.

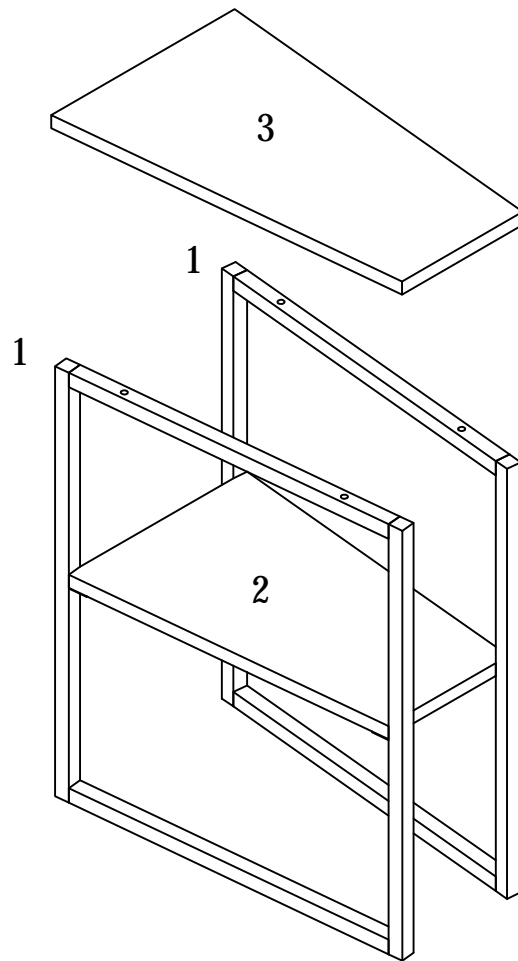
Tip #3: Read manual before assembling, it helps!

ITEM#: 223153 223154 223155



PARTS IDENTIFICATION


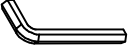
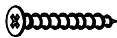
ITEM#: 223153 223154 223155



- (1) 2pcs
- (2) 1pc
- (3) 1pc

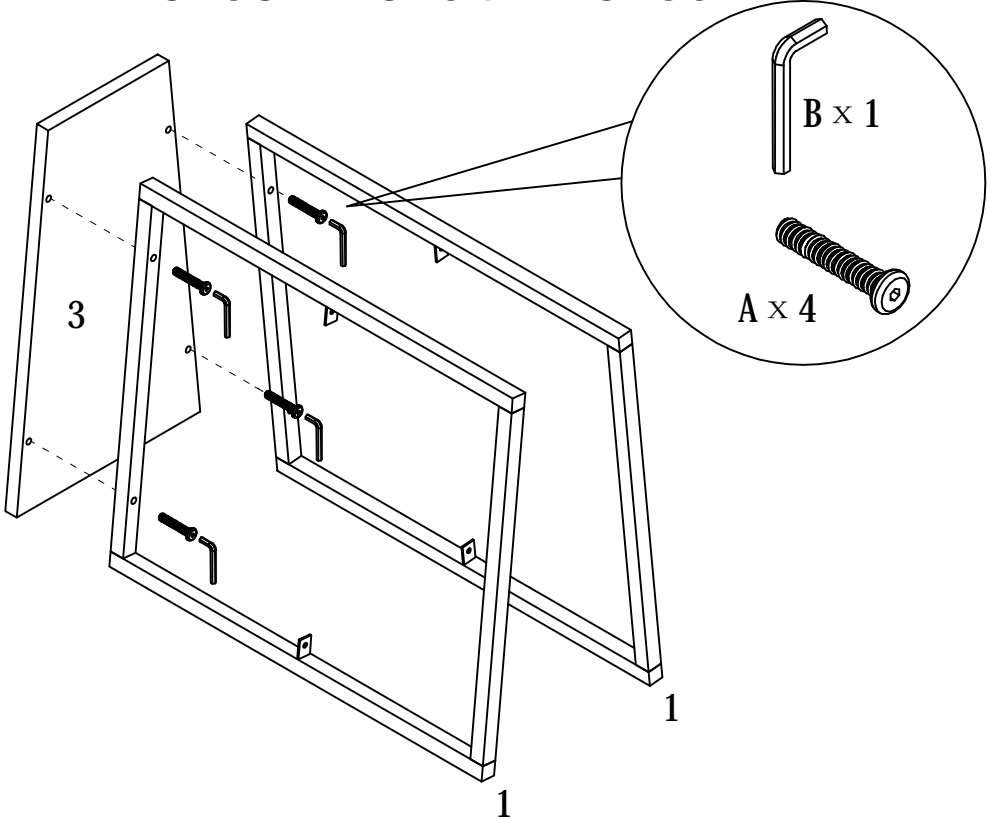
HARDWARE IDENTIFICATION

ITEM#: 223153 223154 223155

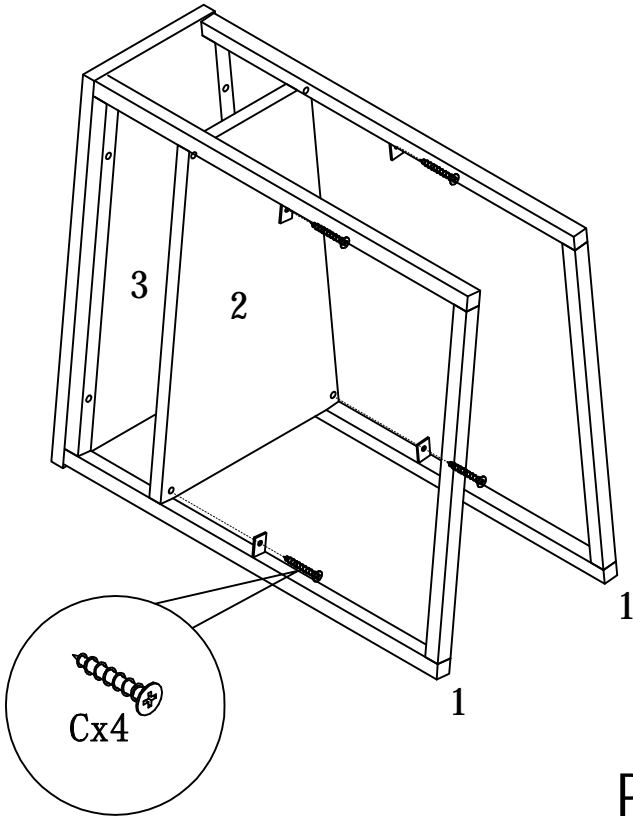
A		$\phi 6 \times 30$	4pcs
B		M4	1pc
C		$\phi 4 \times 16$	4pcs

ASSEMBLY INSTRUCTION

ITEM#: 223153 223154 223155



STEP1



PAGE: 4 OF 4