

ASSEMBLY INSTRUCTION

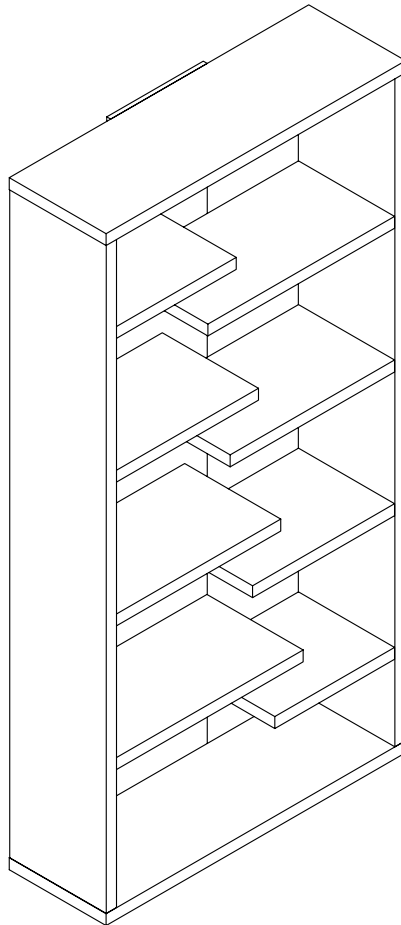
PLEASE READ BEFORE ASSEMBLING!

Tip #1: Make sure you've taken all the pieces and hardware out of its packaging before discarding the box.

Tip #2: Using page 2 and/or page 3 of instruction manual make sure all pieces and hardware are accounted for.

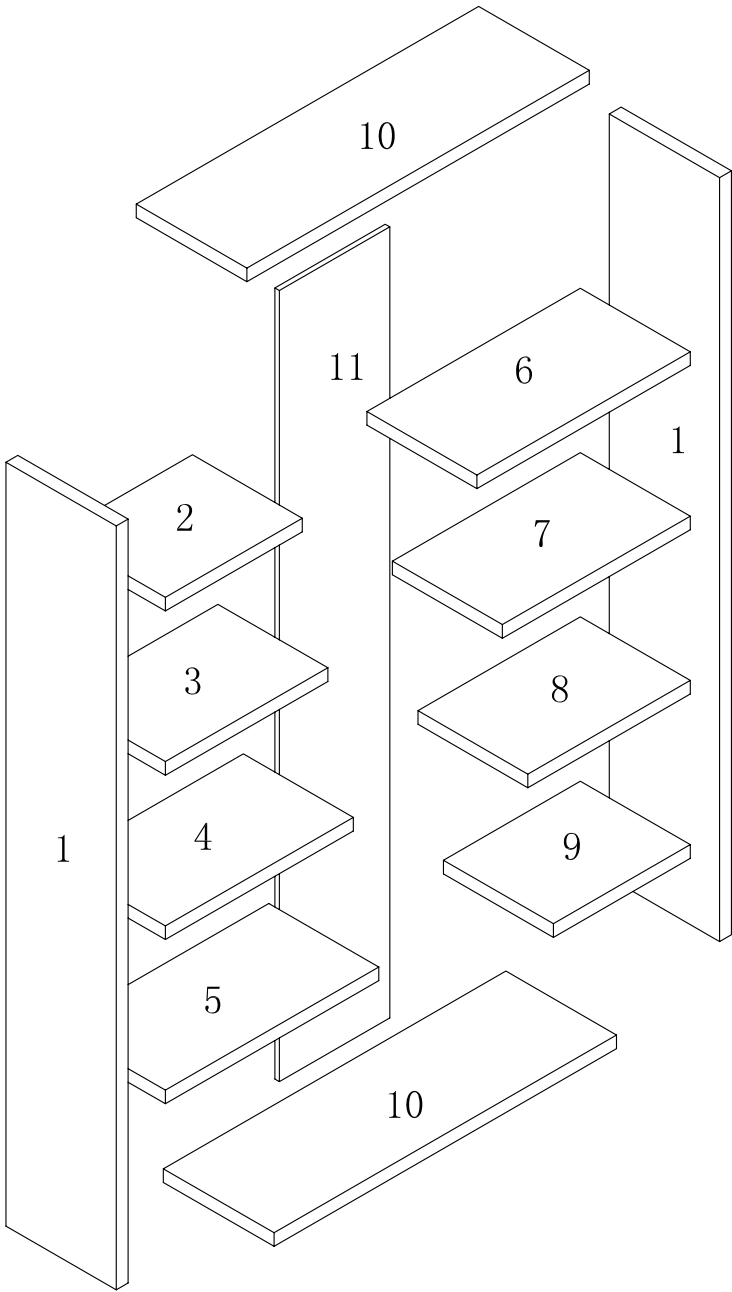
Tip #3: Read manual before assembling, it helps!

ITEM# 27091 171922



PARTS IDENTIFICATION

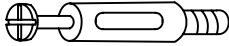

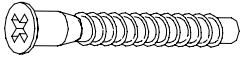
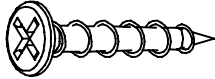
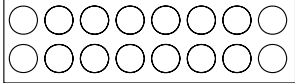
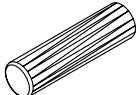

ITEM#: 27091



(1)	2pcs	(5)	1pc	(9)	1pc
(2)	1pc	(6)	1pc	(10)	2pcs
(3)	1pc	(7)	1pc	(11)	1pc
(4)	1pc	(8)	1pc		

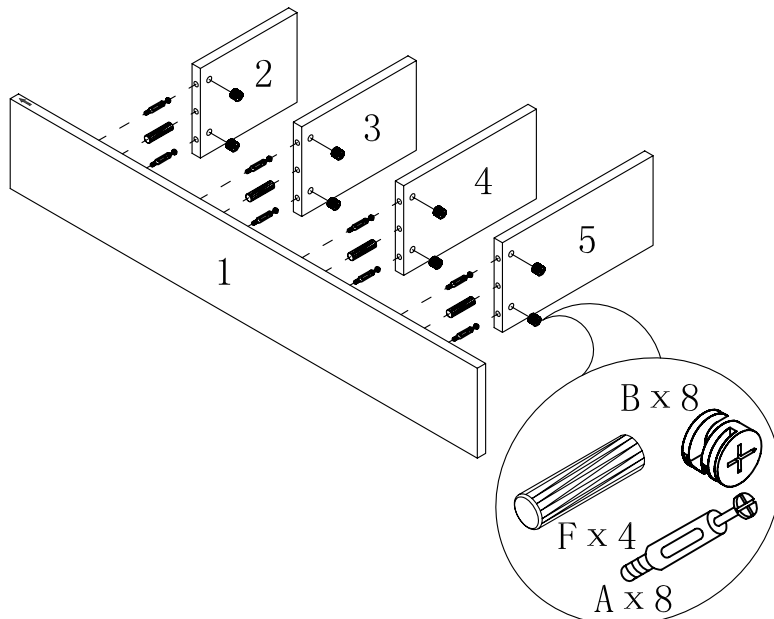
HARDWARE IDENTIFICATION

ITEM#: 27091

A		L29	16pcs
B		$\phi 15$	16pcs
C		$\phi 7 \times 58$	8pcs
D		$\phi 4.2 \times 30$	20pcs
E		$\phi 18$	16pcs
F		$\phi 8 \times 25$	12pcs
G		It's used for stick the stopper to the connecting hole firmly	1pc

ASSEMBLY INSTRUCTION

ITEM#: 27091

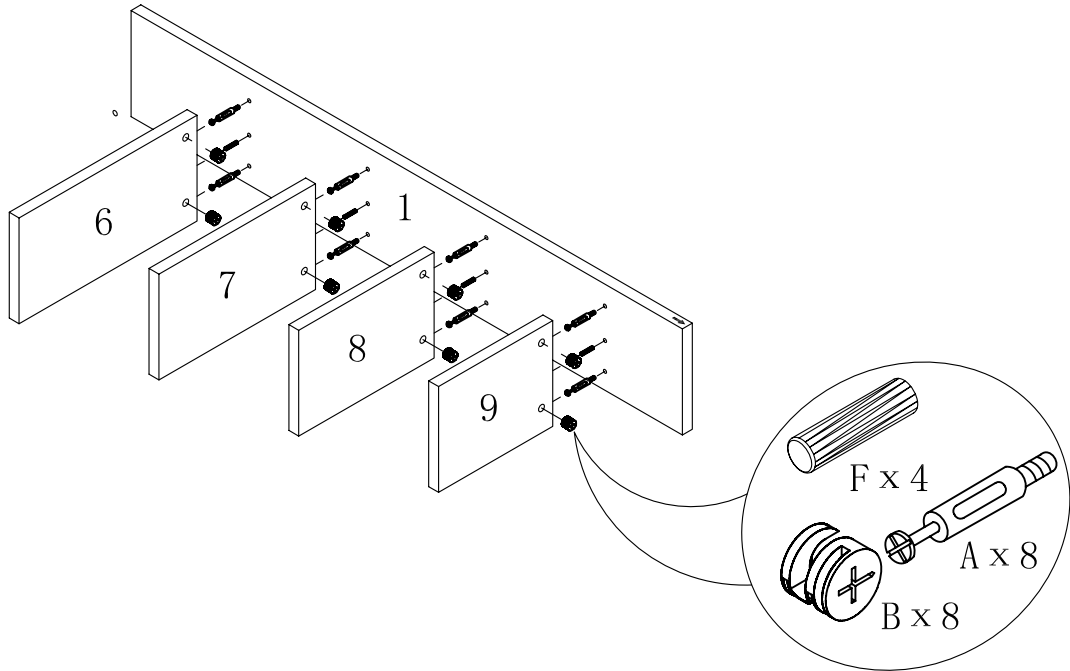


STEP1

PAGE: 3 OF 5

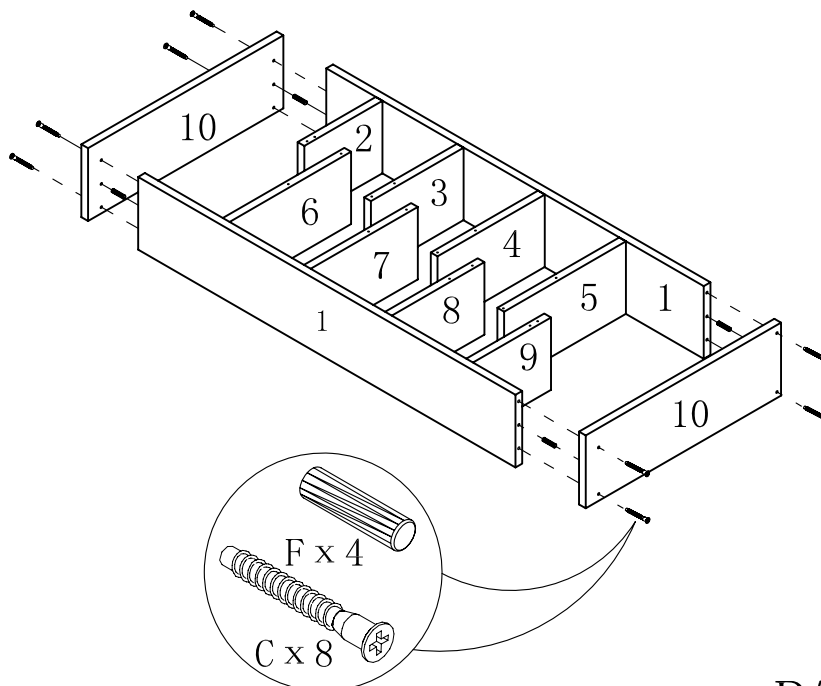
ASSEMBLY INSTRUCTION

ITEM#: 27091



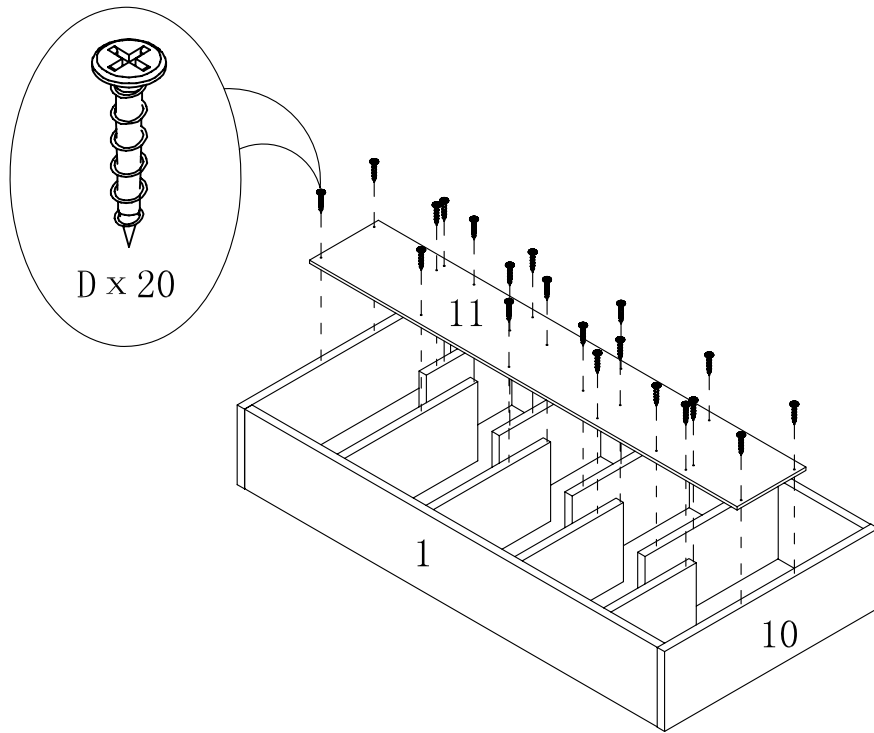
STEP2

STEP3



ASSEMBLY INSTRUCTION

ITEM#: 27091



STEP4

STEP5

