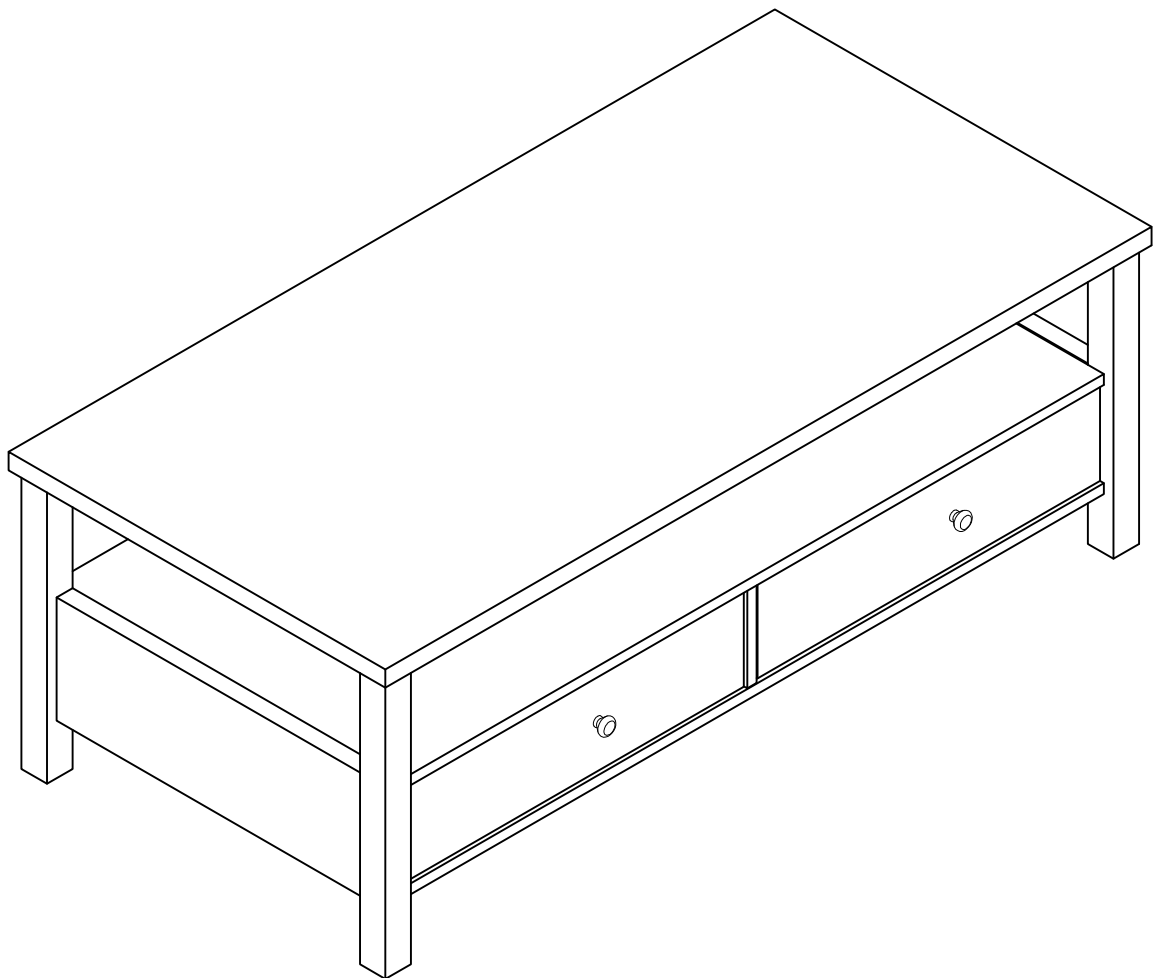


ASSEMBLY INSTRUCTION

ITEM# 27114CT-KD 161563CT-KD
161564CT-KD



ASSEMBLY INSTRUCTION

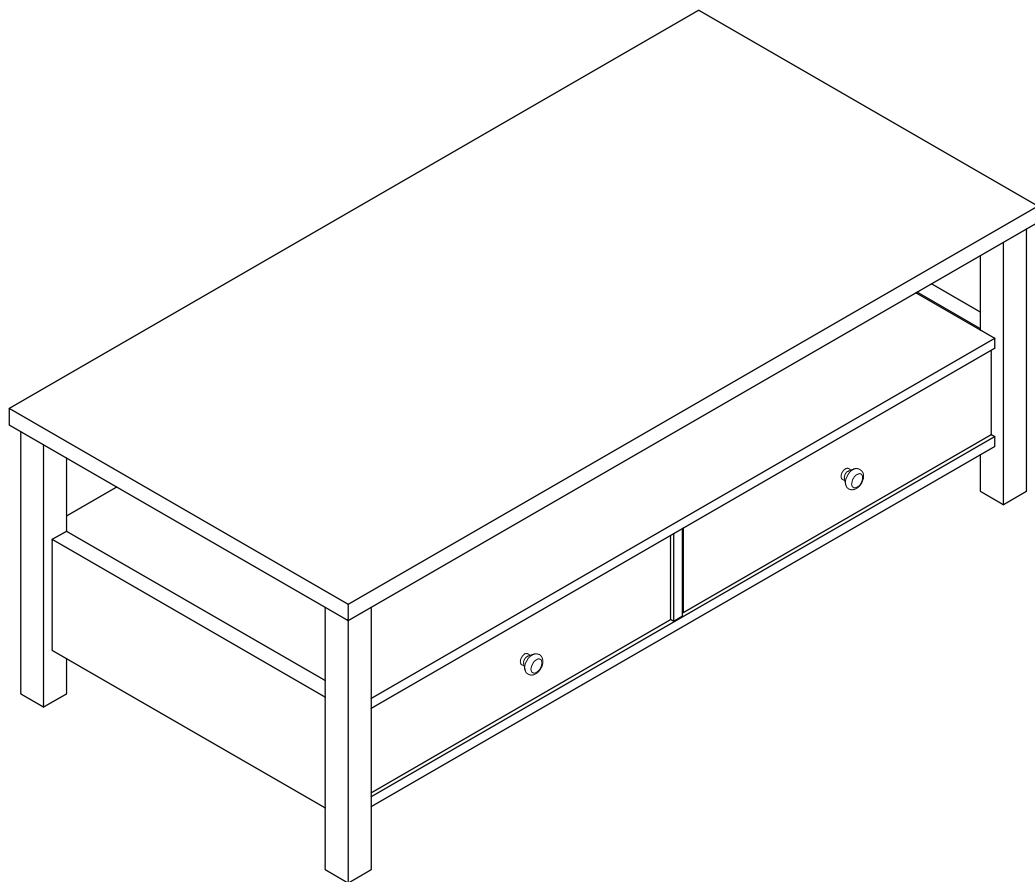
PLEASE READ BEFORE ASSEMBLING!

Tip #1: Make sure you've taken all the pieces and hardware out of its packaging before discarding the box.

Tip #2: Using page 2 and/or page 3 of instruction manual make sure all pieces and hardware are accounted for.

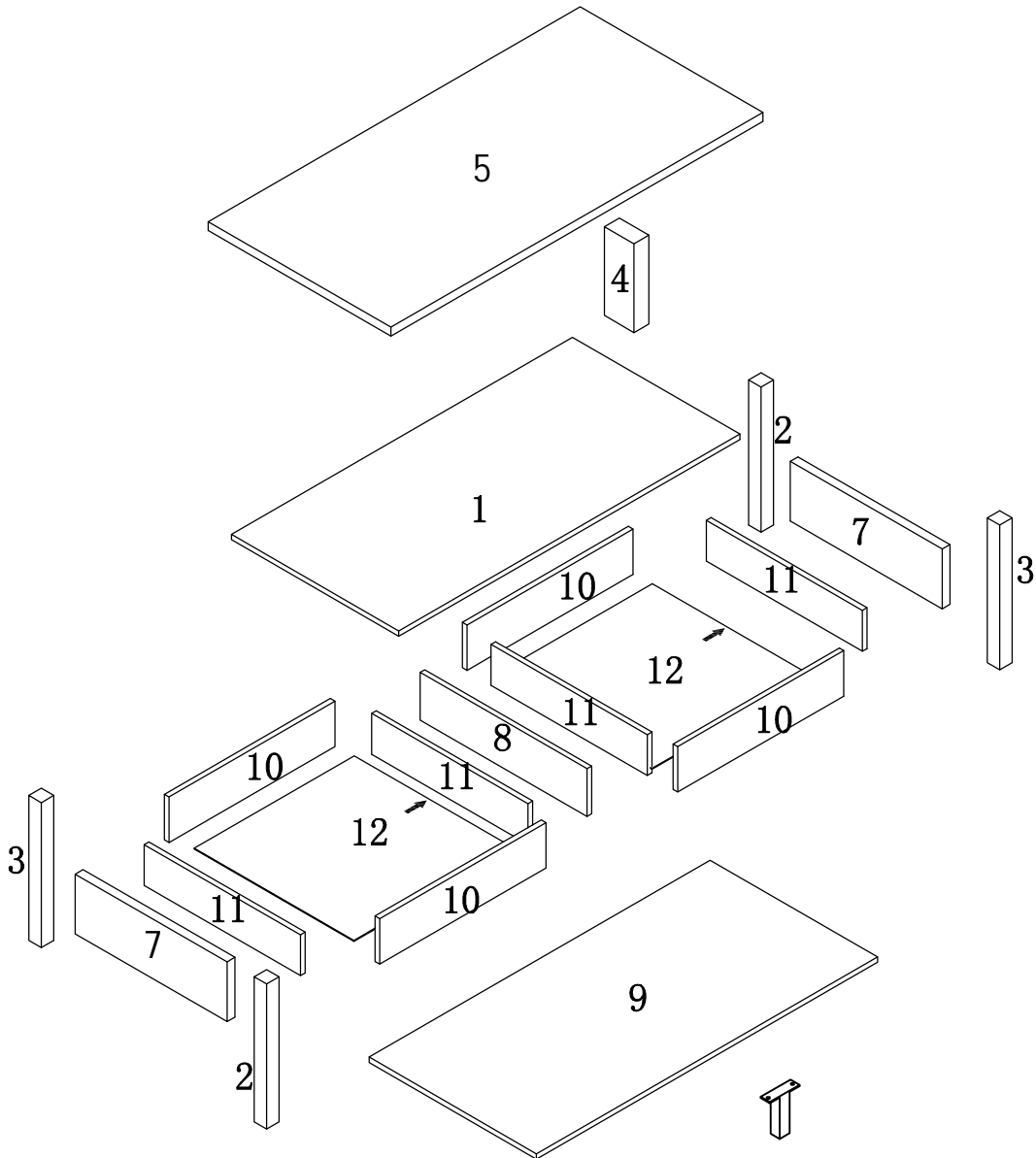
Tip #3: Read manual before assembling, it helps!

ITEM#: 161564CT



PARTS IDENTIFICATION

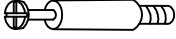

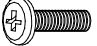
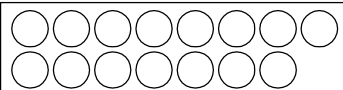

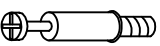


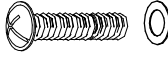
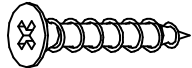

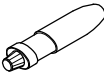

ITEM#: 161564CT



(1)	1pc	(7)	2pcs	(12)	2pcs
(2)	2pcs	(8)	1pc		
(3)	2pcs	(9)	1pc		
(4)	1pc	(10)	4pcs		
(5)	1pc	(11)	4pcs		

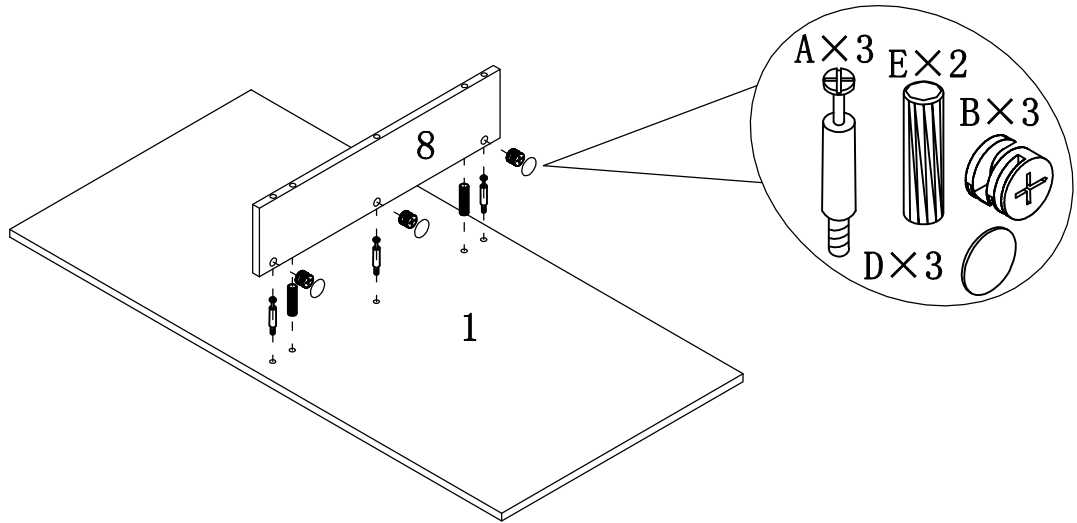
HARDWARE IDENTIFICATION

ITEM#: 161564CT

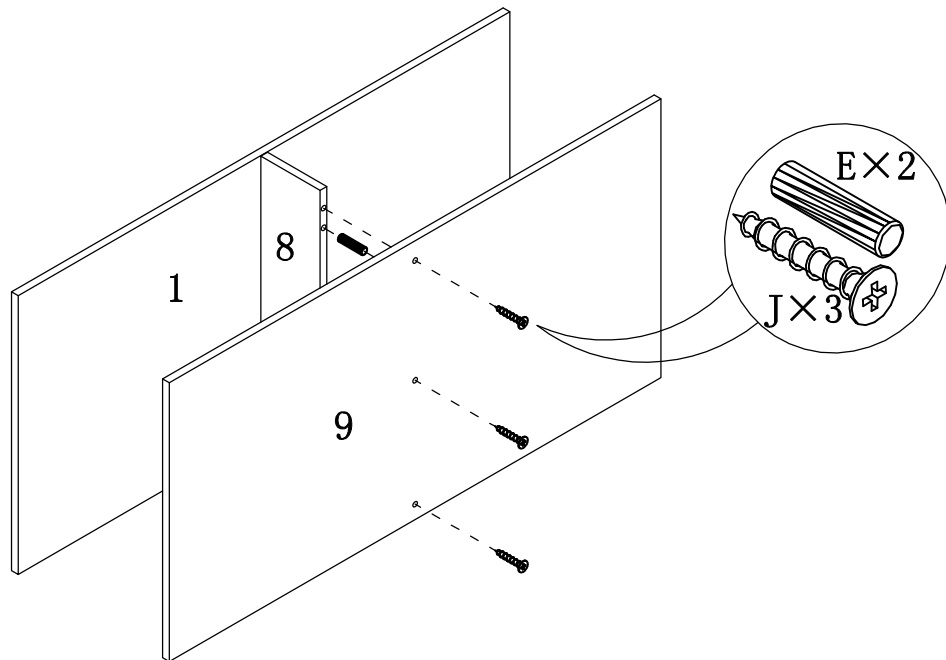
A		L29	27pcs
B		ø15	27pcs
C		M6×12	2pcs
D		ø18	15pcs
E		ø8×25	20pcs
F		L20	16pcs
G		ø12	16pcs
H		ø30	4pcs
I		ø4×22	4sets
J		ø4×30	3pcs
K		ø16	4pcs
L		Glue: For securing please apply to wood dowel first before inserting into panel	1pc
M		80×25×82	1pc

ASSEMBLY INSTRUCTION

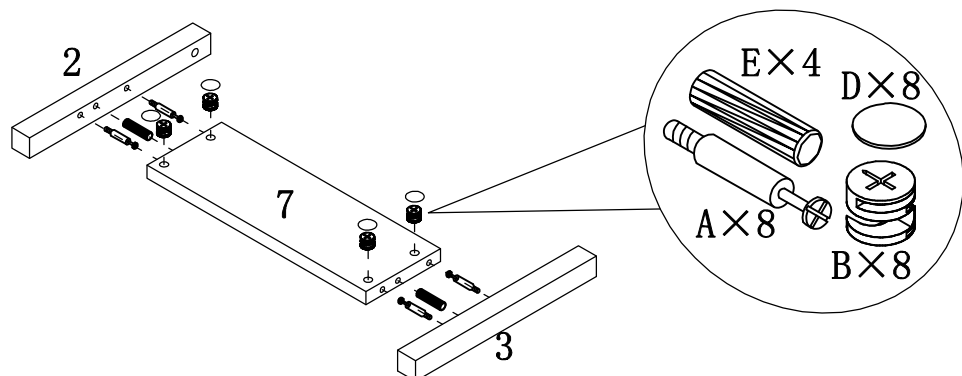
ITEM#: 161564CT



STEP 2

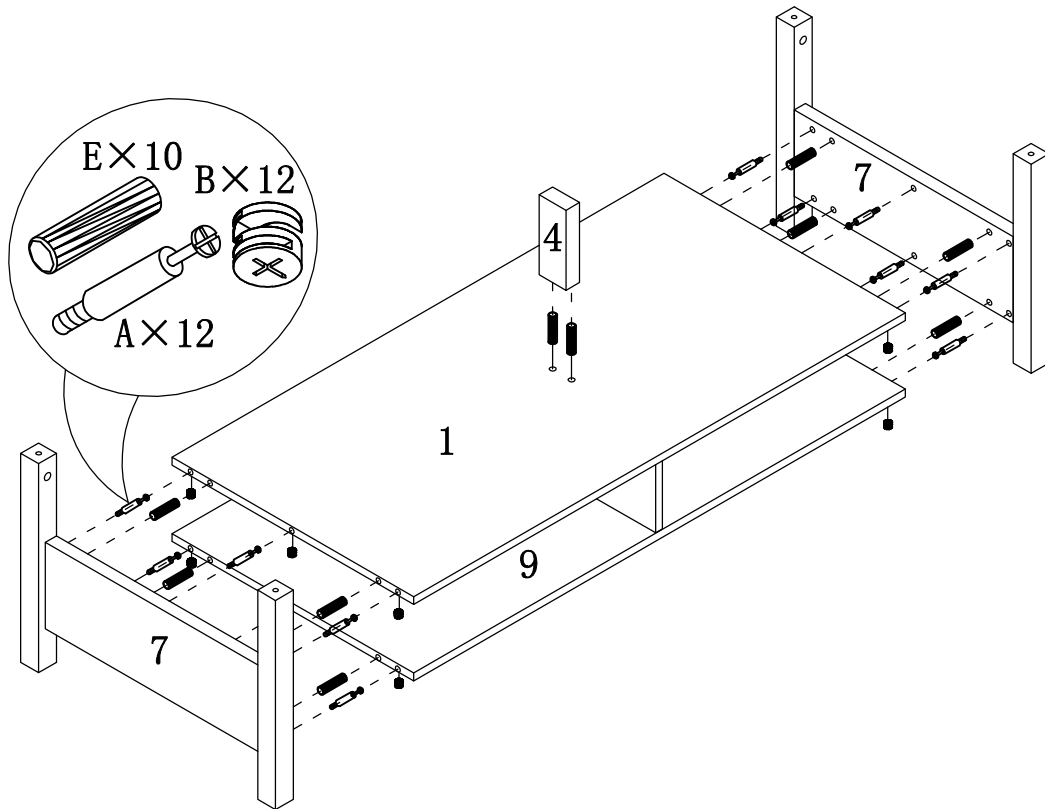


STEP 3



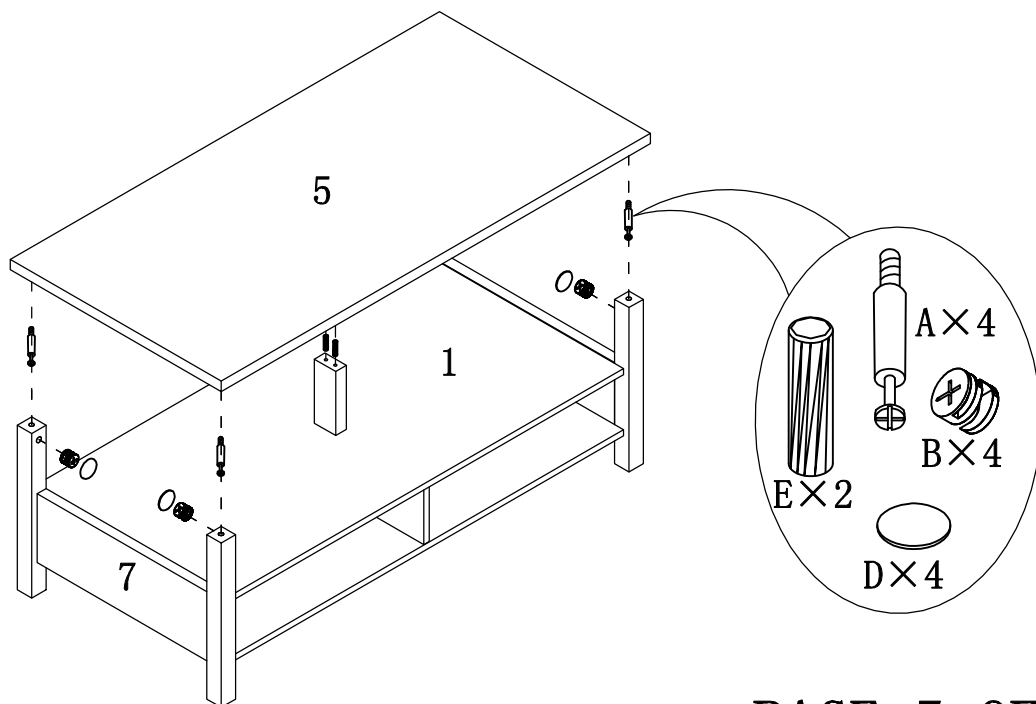
ASSEMBLY INSTRUCTION

ITEM#: 161564CT



STEP 4

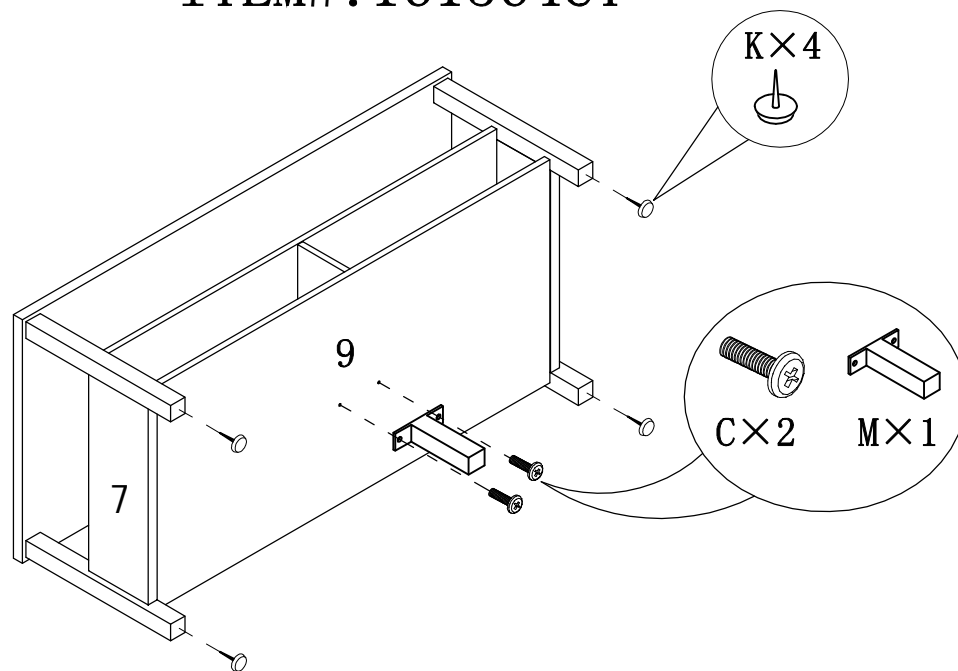
STEP 5



PAGE: 5 OF 7

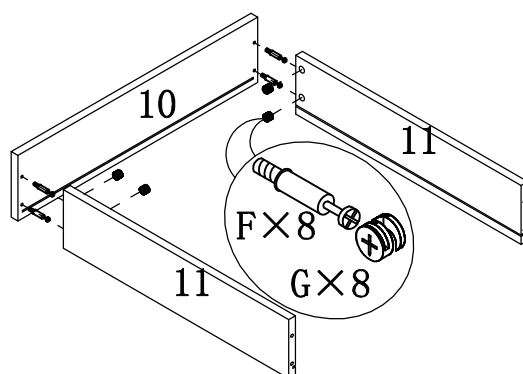
ASSEMBLY INSTRUCTION

ITEM#: 161564CT

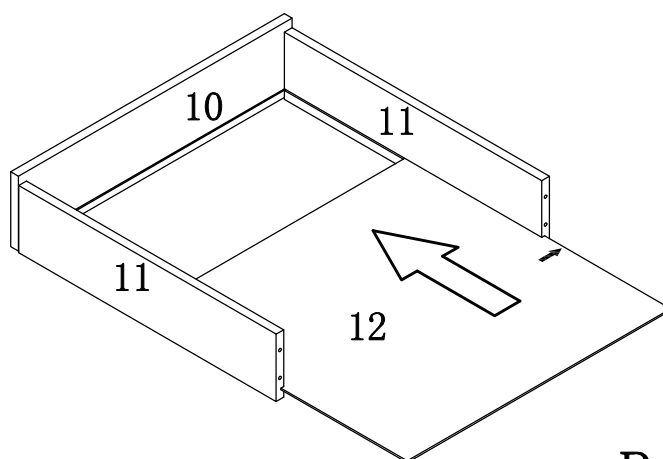


STEP6

STEP7

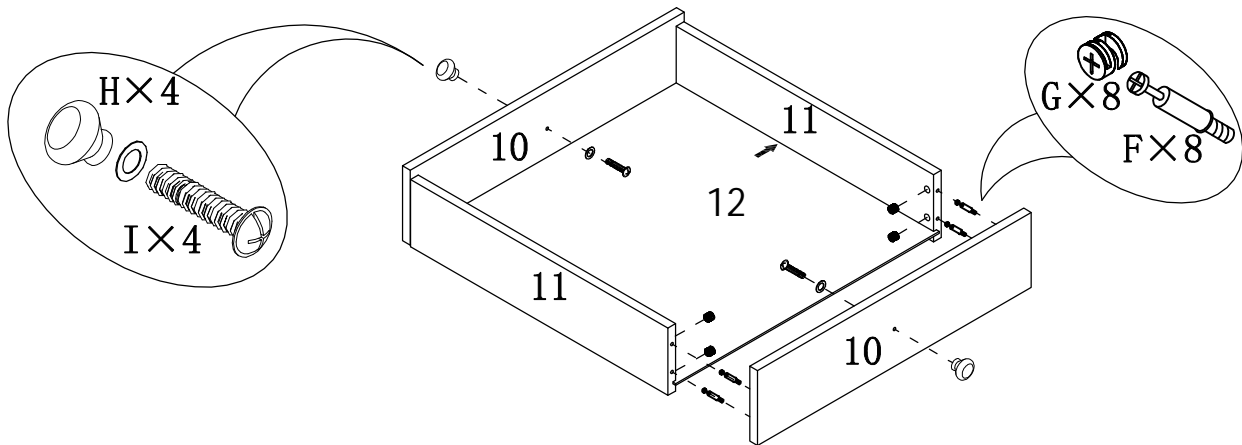


STEP8



ASSEMBLY INSTRUCTION

ITEM#: 161564CT



STEP9

STEP10

