

ASSEMBLY INSTRUCTION

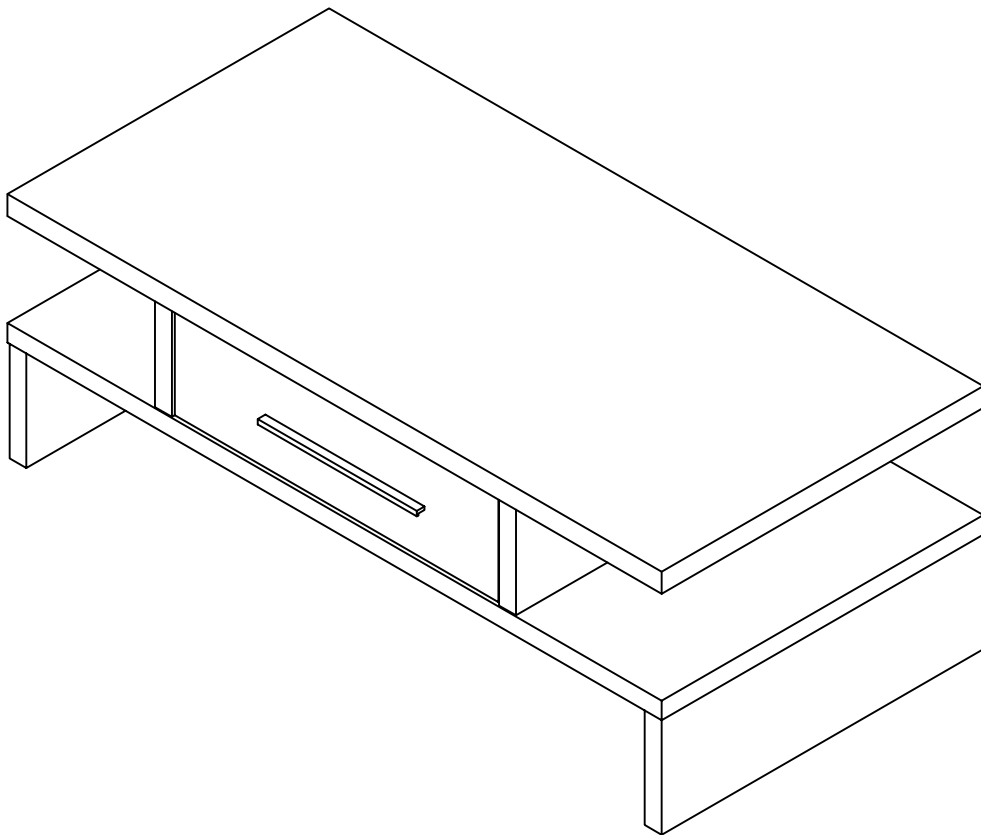
PLEASE READ BEFORE ASSEMBLING!

Tip #1: Make sure you've taken all the pieces and hardware out of its packaging before discarding the box.

Tip #2: Using page 2 and/or page 3 of instruction manual make sure all pieces and hardware are accounted for.

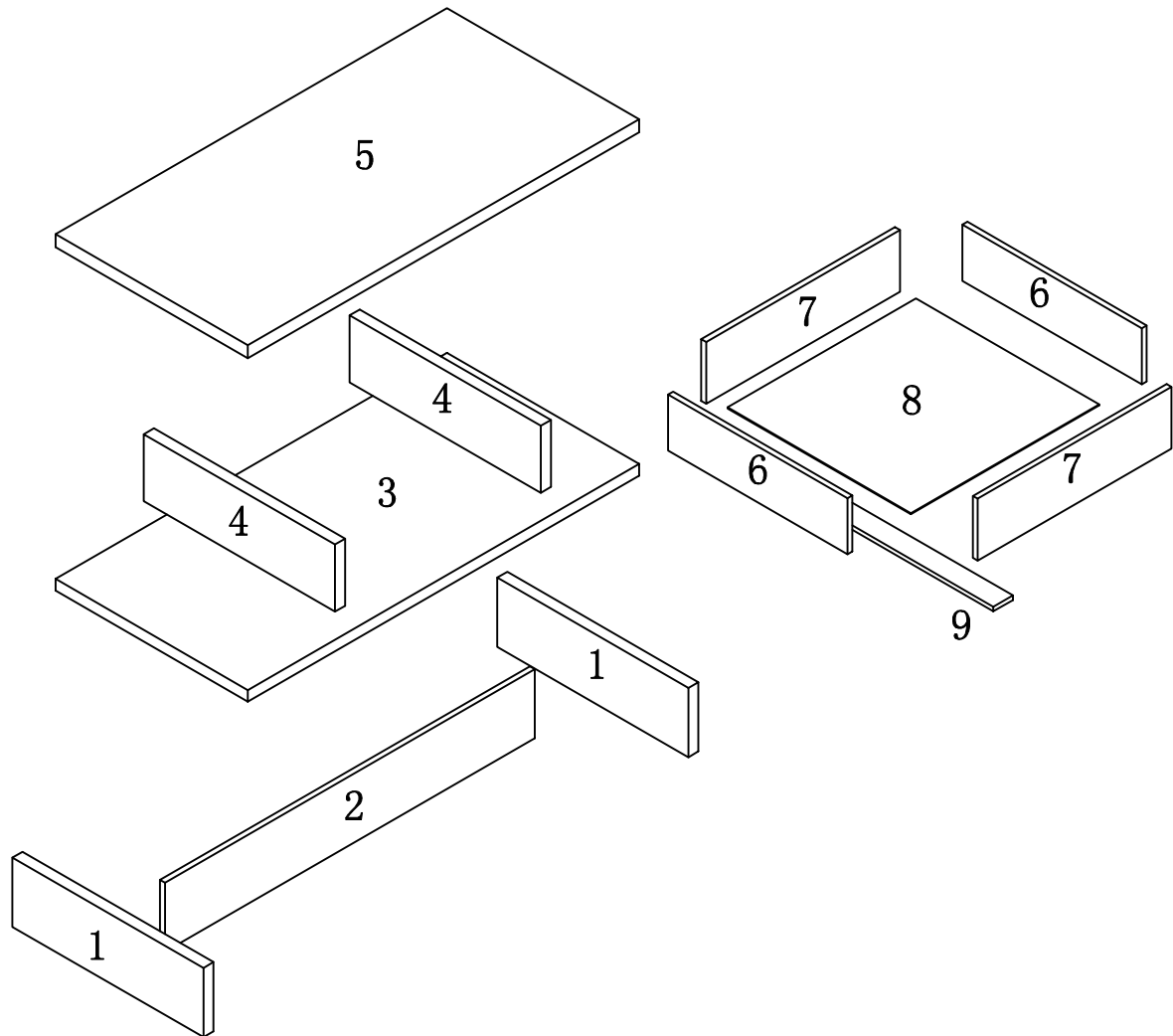
Tip #3: Read manual before assembling, it helps!

ITEM#: 28223CT



PARTS IDENTIFICATION


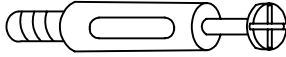
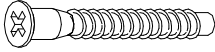


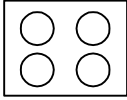

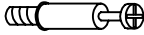
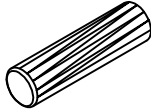
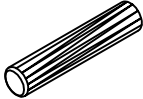

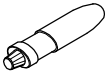
ITEM#: 28223CT



- (1) 2PCS
- (2) 1PC
- (3) 1PC
- (4) 2PCS
- (5) 1PC
- (6) 2PCS
- (7) 2PCS
- (8) 1PC
- (9) 1PC

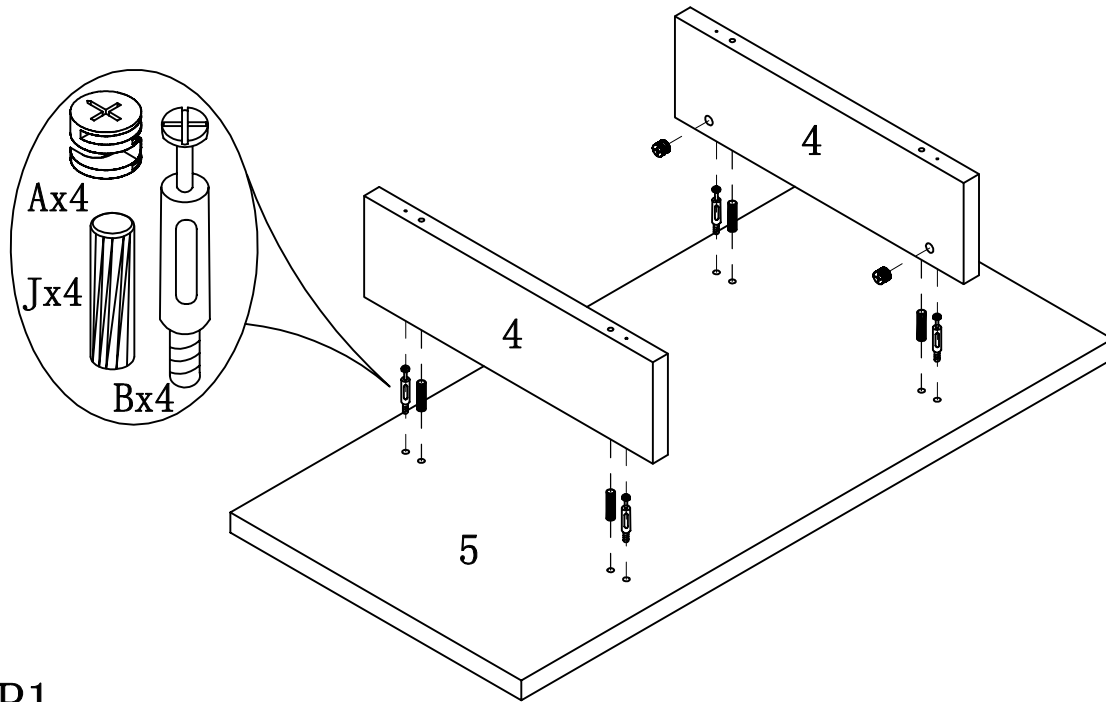
HARDWARE IDENTIFICATION

ITEM#: 28223CT

A		$\phi 15$	11PCS
B		L29	11PCS
C		$\phi 7 \times 58$	4PCS
D		M4x20	4PCS
E		L256	2PCS
F		$\phi 18$	4PCS
G		$\phi 12$	8PCS
H		L20	8PCS
J		$\phi 8 \times 25$	16PCS
K		$\phi 6 \times 30$	4PCS
L		$\phi 16$	4PCS
M		Glue: For securing please apply to wood dowel first before inserting into panel	1PC

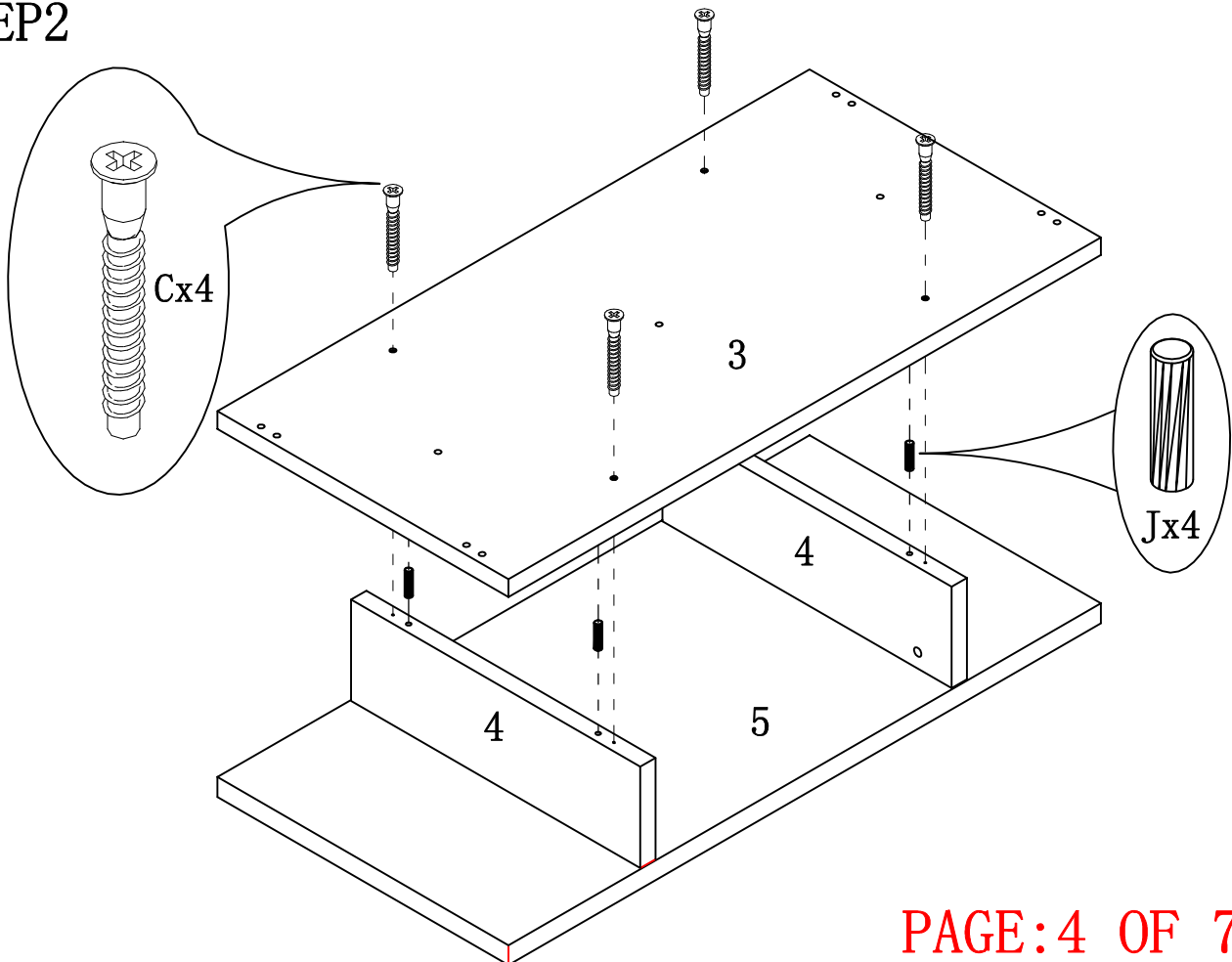
ASSEMBLY INSTRUCTION

ITEM#: 28223CT



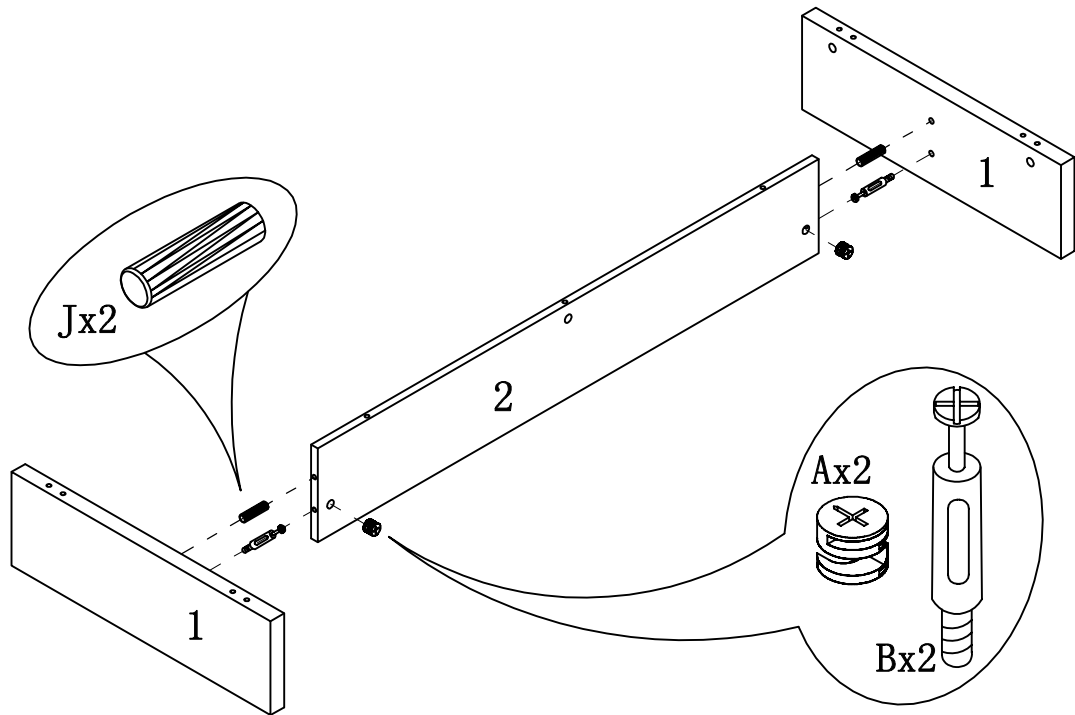
STEP1

STEP2



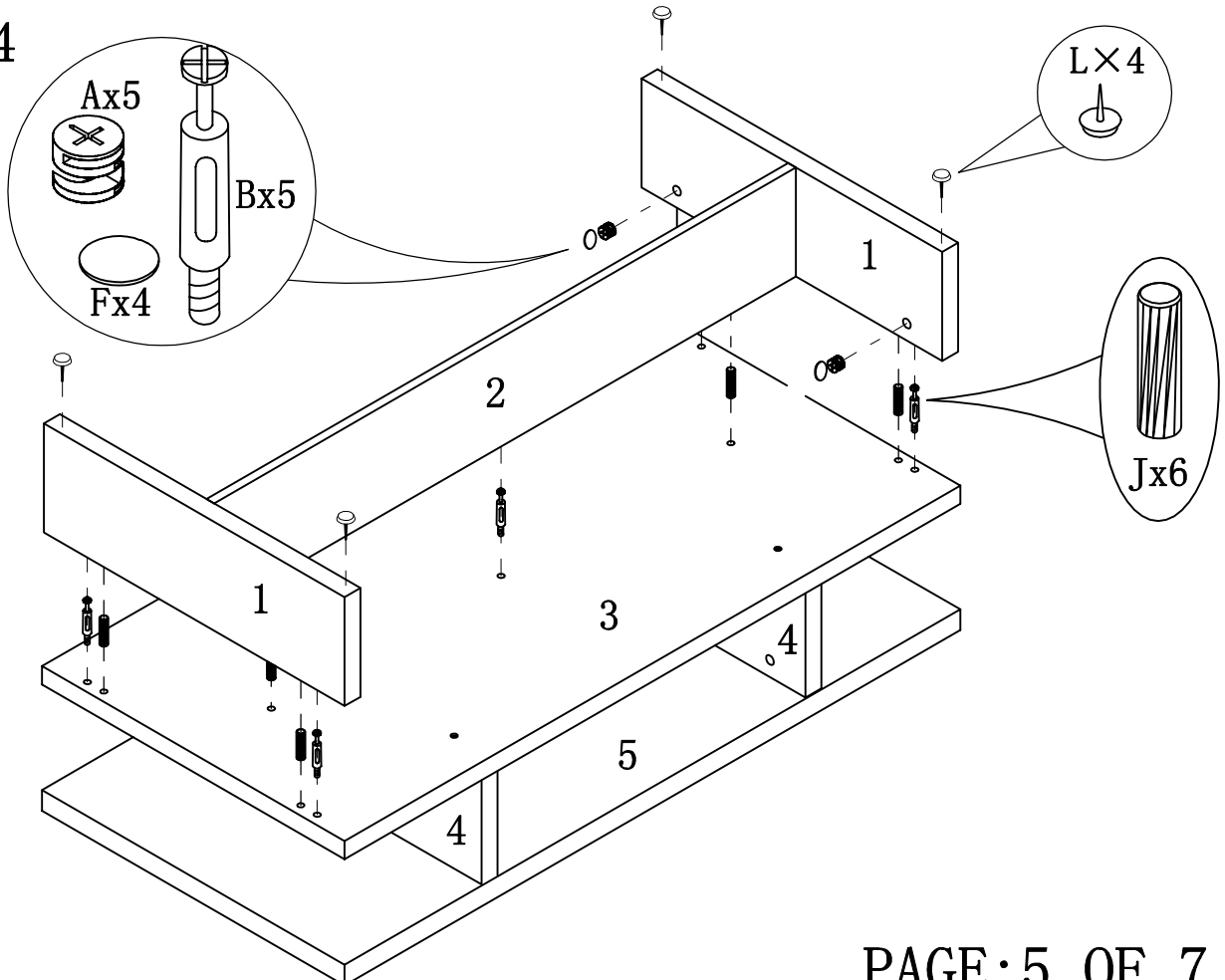
ASSEMBLY INSTRUCTION

ITEM#: 28223CT



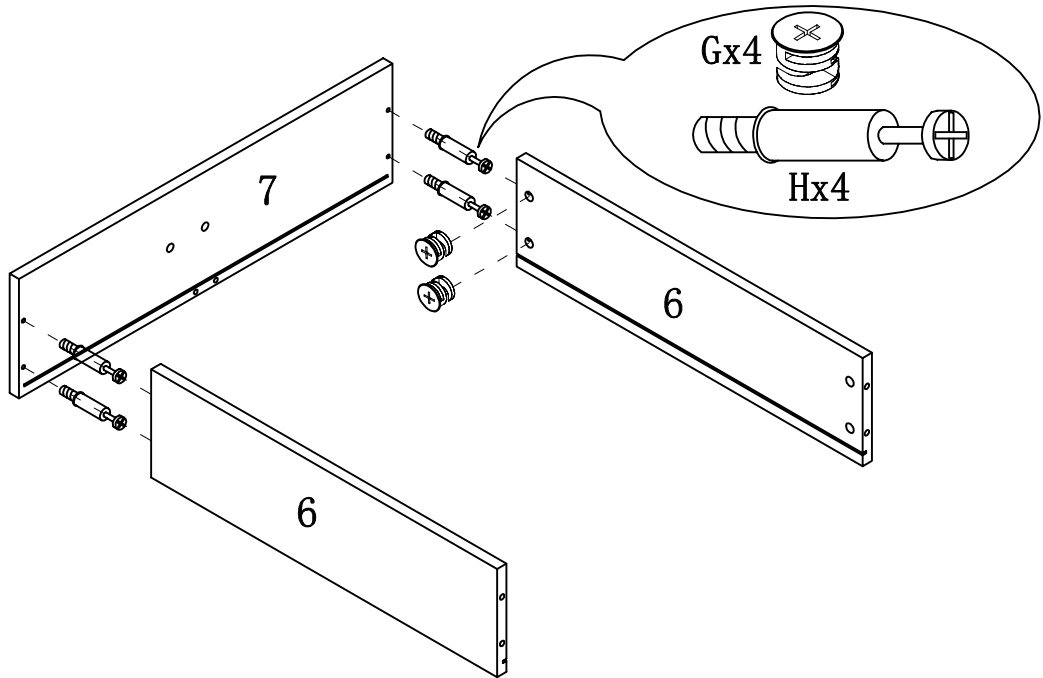
STEP3

STEP4



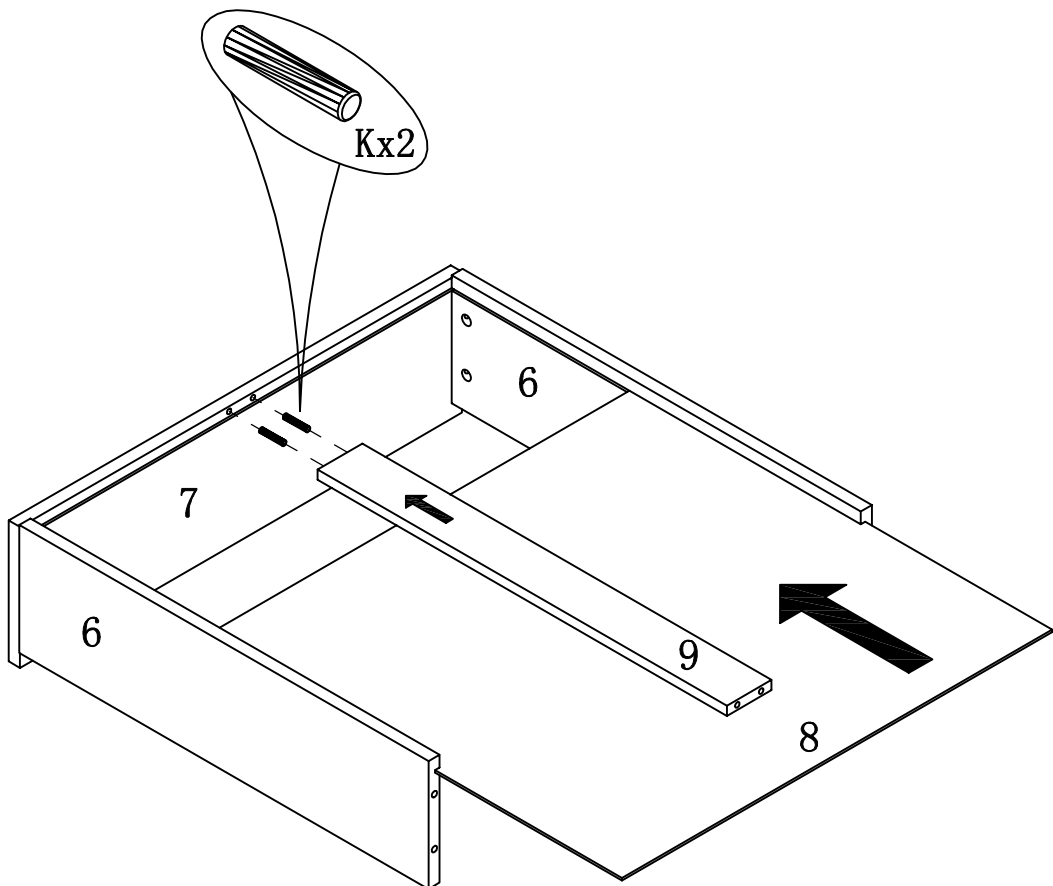
ASSEMBLY INSTRUCTION

ITEM#: 28223CT



STEP5

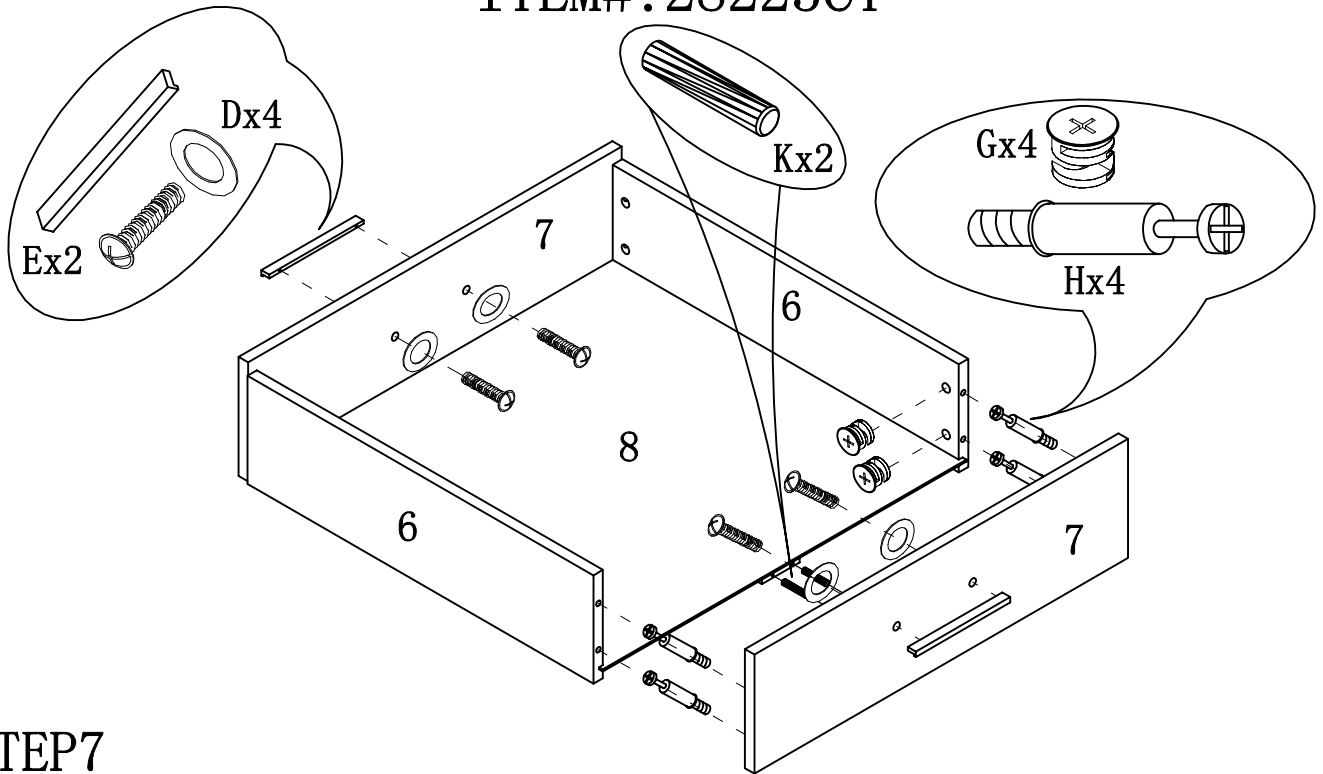
STEP6



PAGE: 6 OF 7

ASSEMBLY INSTRUCTION

ITEM#: 28223CT



STEP 7

STEP 8

