

ASSEMBLY INSTRUCTION

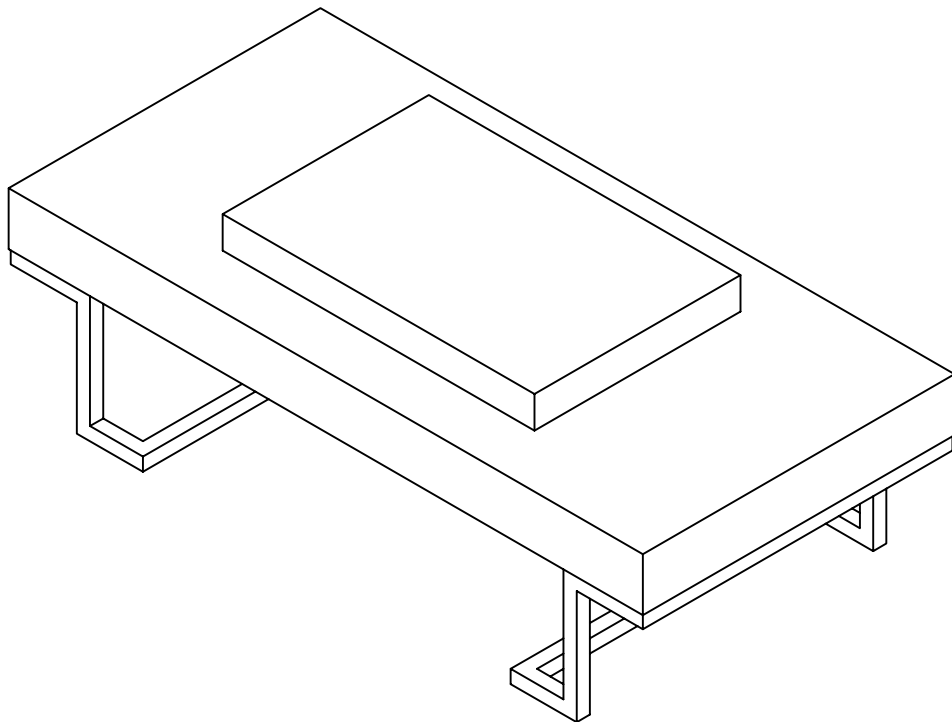
PLEASE READ BEFORE ASSEMBLING!

Tip #1: Make sure you've taken all the pieces and hardware out of its packaging before discarding the box.

Tip #2: Using page 2 and/or page 3 of instruction manual make sure all pieces and hardware are accounted for.

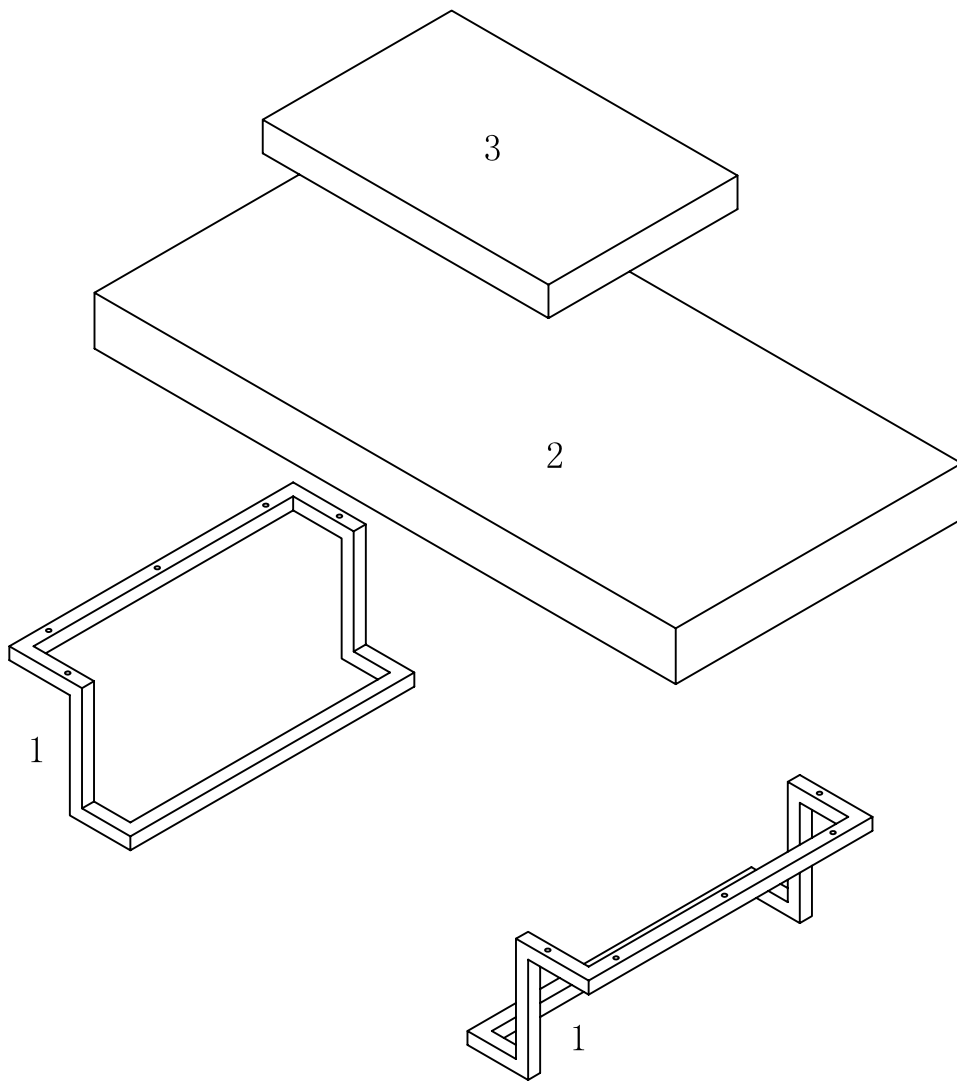
Tip #3: Read manual before assembling, it helps!

ITEM#: 29265CT



PARTS IDENTIFICATION

ITEM#: 29265CT

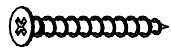


- | | |
|-----|------|
| (1) | 2pcs |
| (2) | 1pc |
| (3) | 1pc |

HARDWARE IDENTIFICATION

ITEM#: 29265CT

A

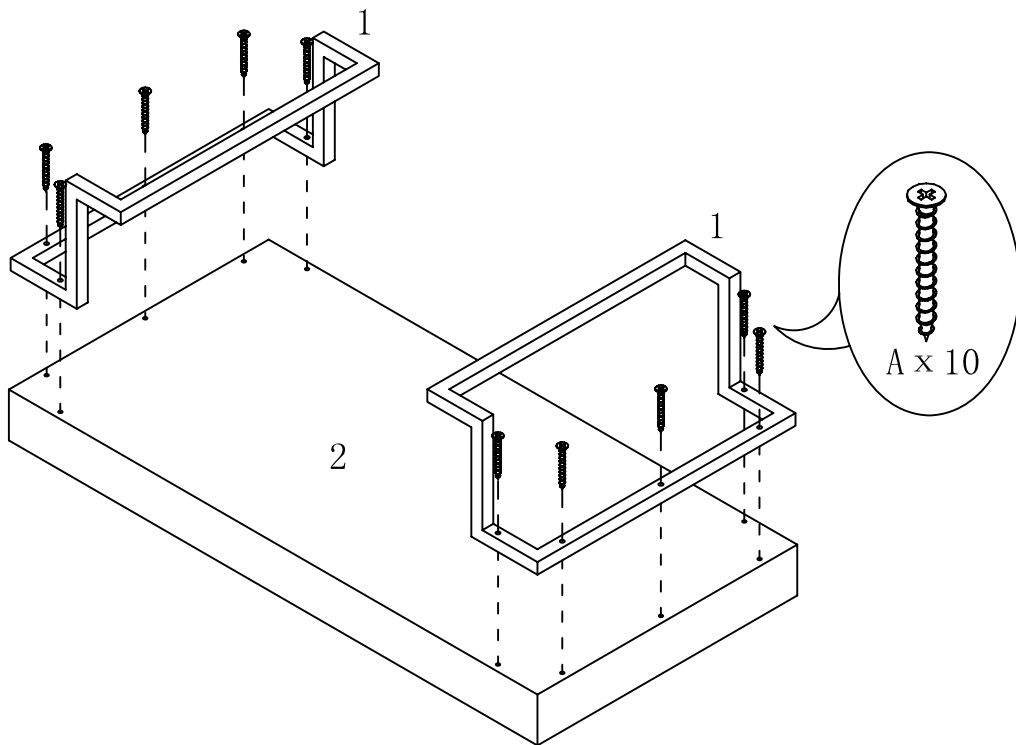


$\phi 4 \times 45$

10pcs

ASSEMBLY INSTRUCTION

ITEM#: 29265CT



STEP 1

STEP 2

