

ASSEMBLY INSTRUCTION

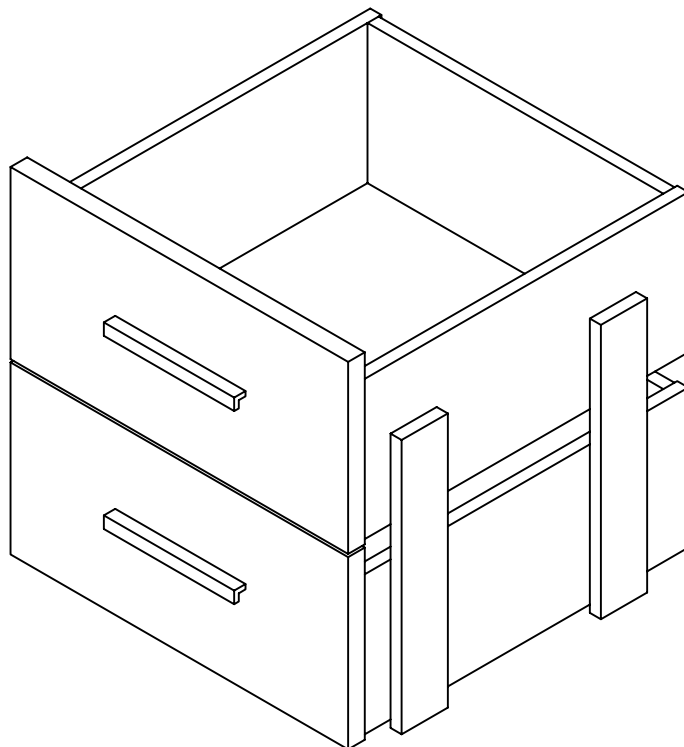
PLEASE READ BEFORE ASSEMBLING!

Tip #1: Make sure you've taken all the pieces and hardware out of its packaging before discarding the box.

Tip #2: Using page 2 and/or page 3 of instruction manual make sure all pieces and hardware are accounted for.

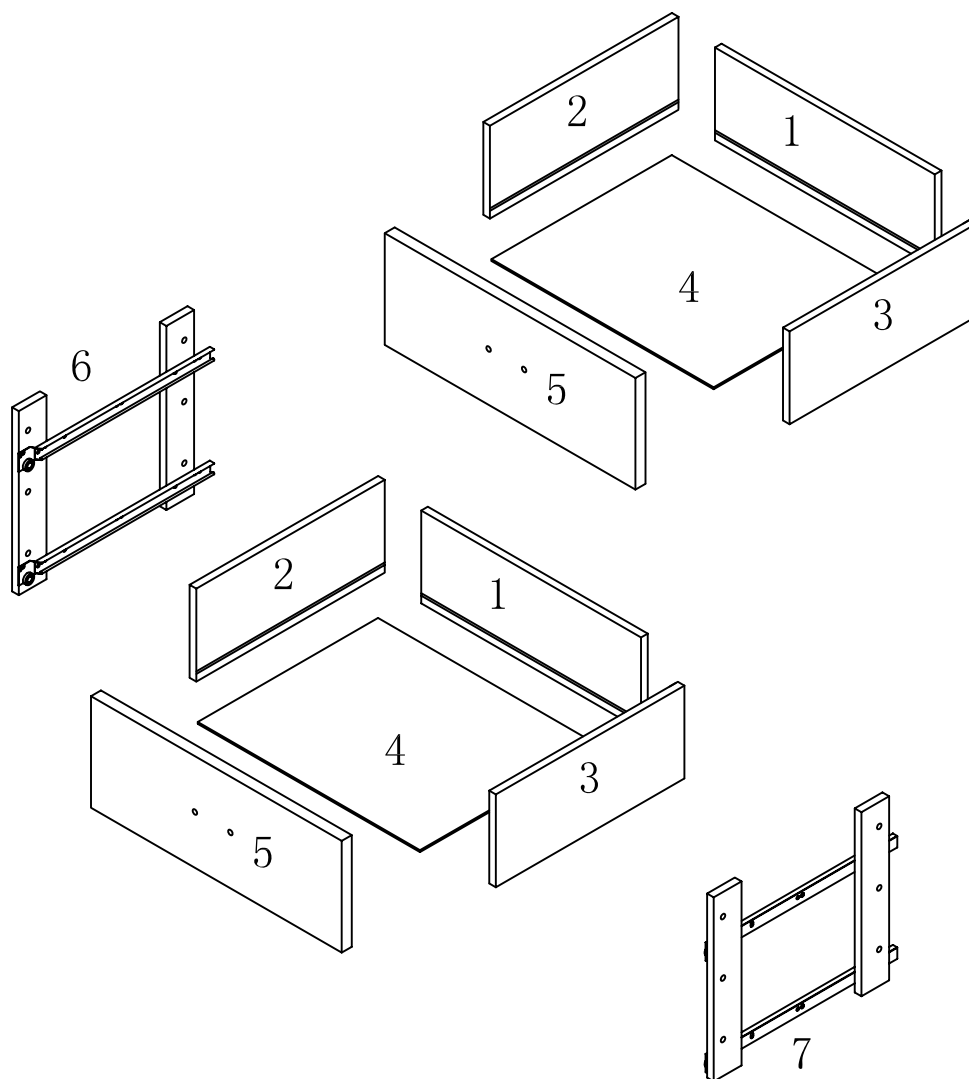
Tip #3: Read manual before assembling, it helps!

ITEM#: 4F、7F



PARTS IDENTIFICATION

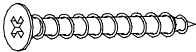





ITEM#: 4F、7F



(1)	2pcs	(5)	2pcs
(2)	2pcs	(6)	1pc
(3)	2pcs	(7)	1pc
(4)	2pcs		

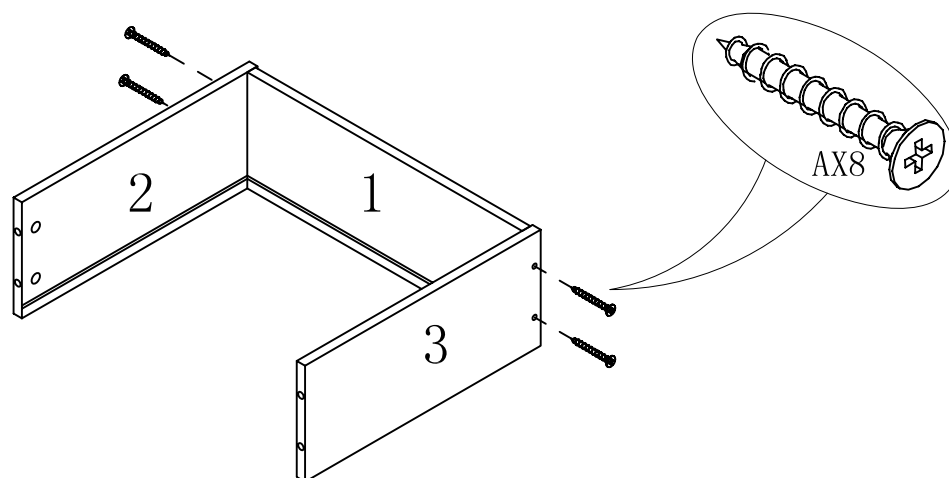
HARDWARE IDENTIFICATION

ITEM#: 4F、7F

A		$\phi 4 \times 30$	8pcs
B		$\phi 12$	8pcs
C		L20	8pcs
D		64MM	2pcs
E		$\phi 4 \times 20$	4pcs
F		$\phi 5 \times 14$	12pcs

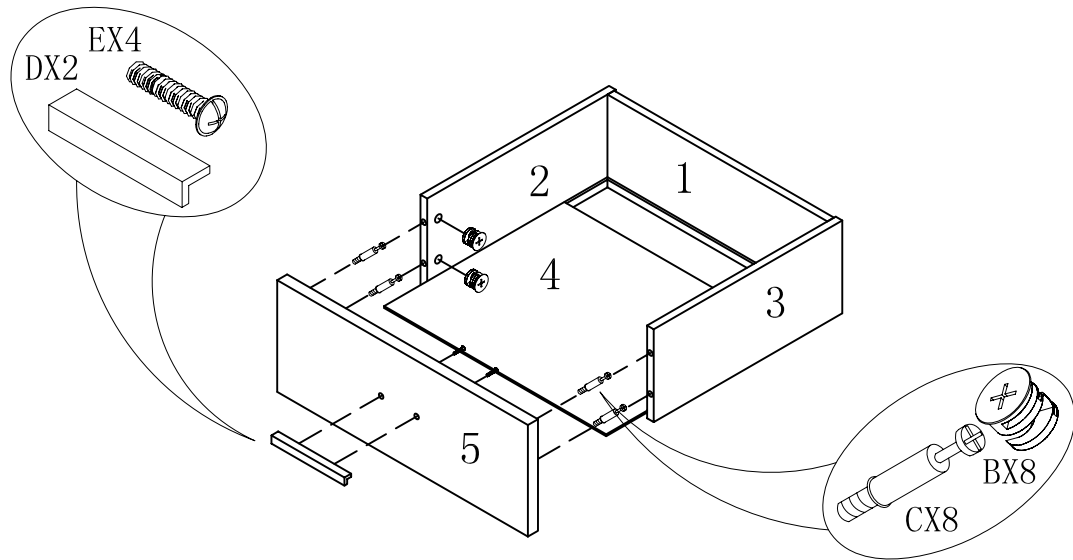
HARDWARE IDENTIFICATION

ITEM#: 4F、7F



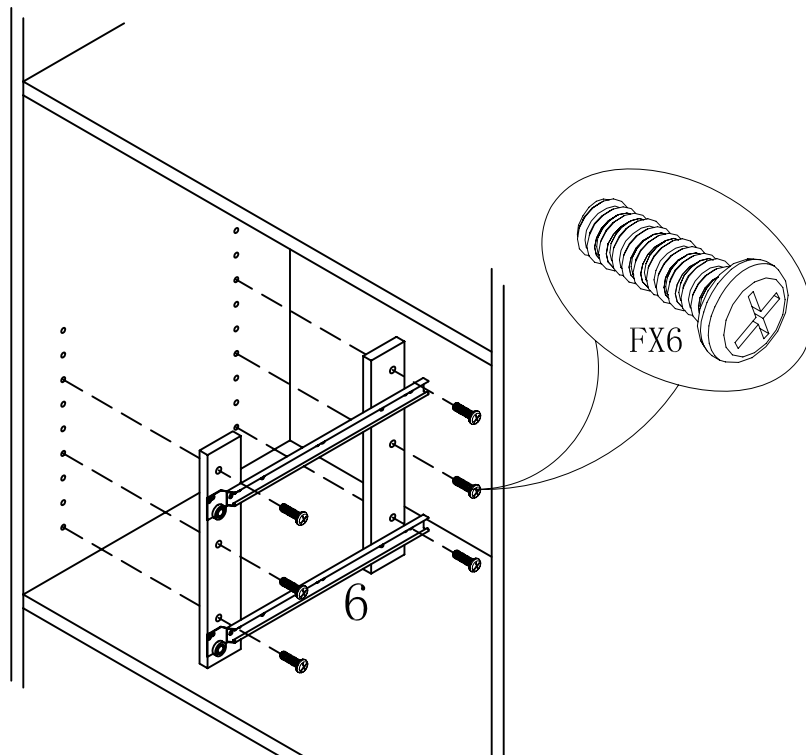
ASSEMBLY INSTRUCTION

ITEM#: 4F、7F



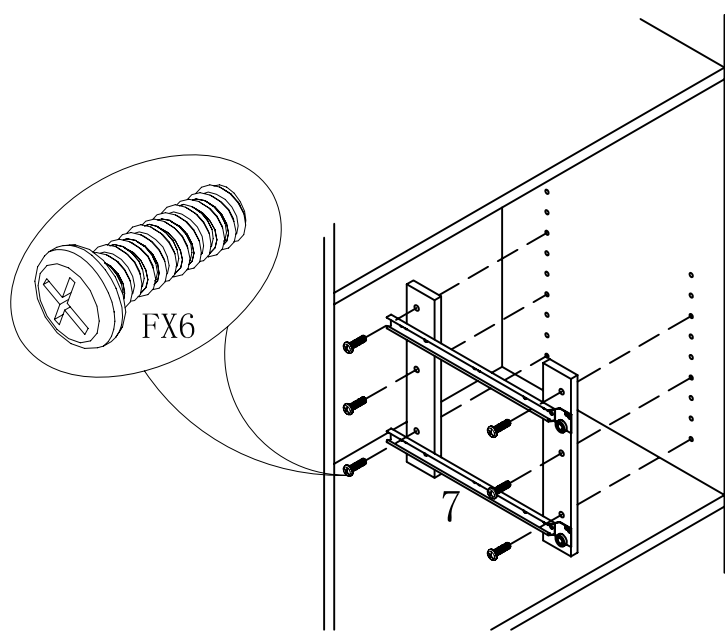
STEP2

STEP3



ASSEMBLY INSTRUCTION

ITEM#: 4F、7F



STEP4

STEP5

