

# ASSEMBLY INSTRUCTION

---

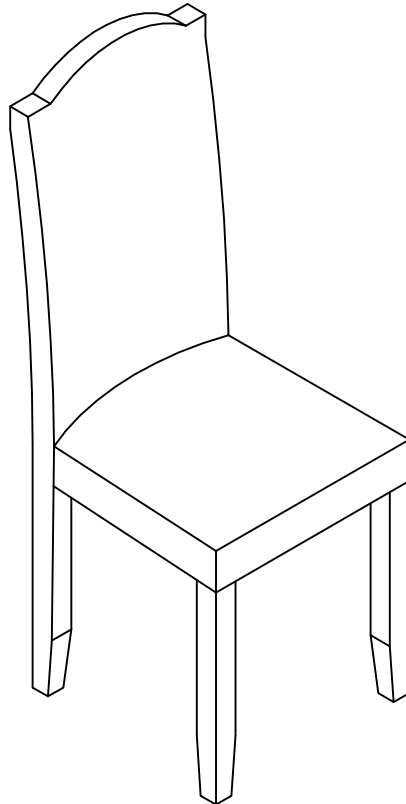
## **PLEASE READ BEFORE ASSEMBLING!**

Tip #1: Make sure you've taken all the pieces and hardware out of its packaging before discarding the box. Assembly on top of flattened box/blanket is recommended.

Tip #2: Using page 2 and/or page 3 of instruction manual make sure all pieces and hardware are accounted for.

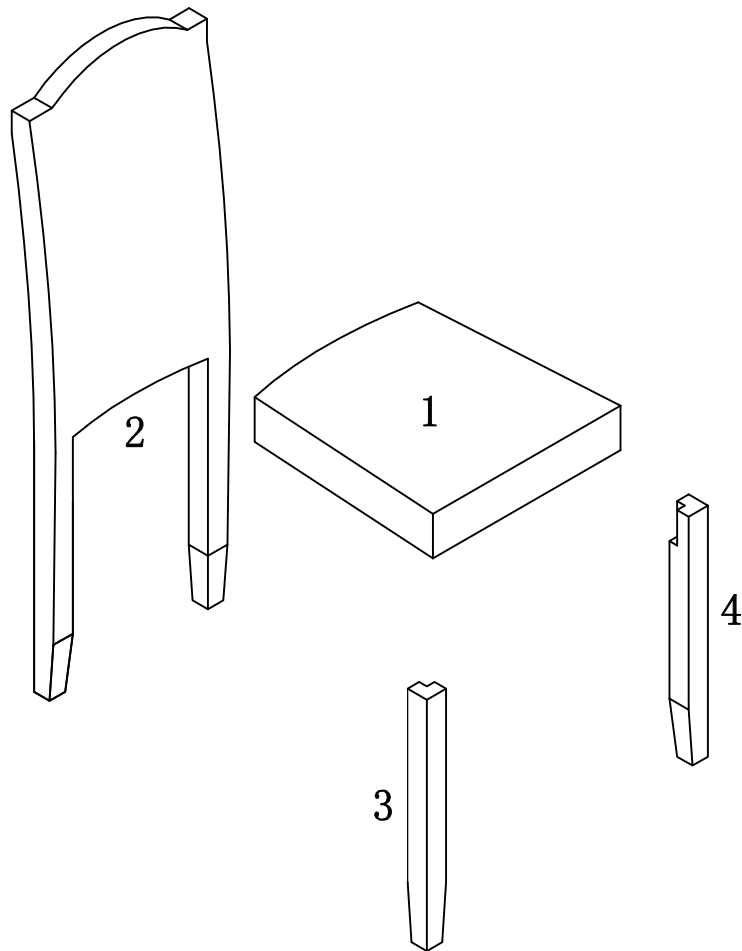
Tip #3: Note position of all holes on each panel during assembly.

ITEM#: 6016-BLK    6017-COF    6018F-DGY



# PARTS IDENTIFICATION







ITEM#: 6016-BLK 6017-COF 6018F-DGY



- |     |     |
|-----|-----|
| (1) | 1pc |
| (2) | 1pc |
| (3) | 1pc |
| (4) | 1pc |

# HARDWARE IDENTIFICATION

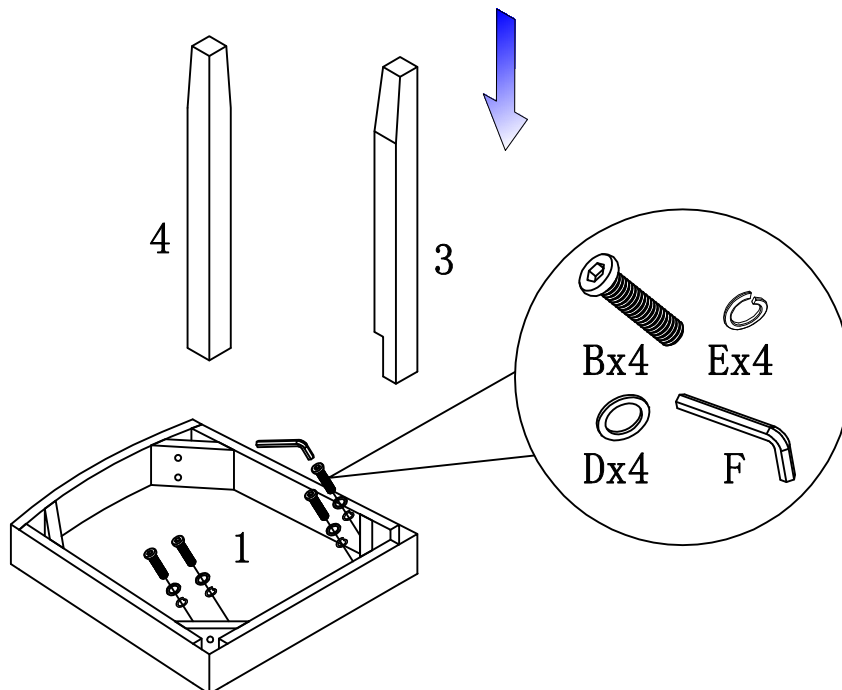
ITEM#: 6016-BLK 6017-COF 6018F-DGY

A		M8x90	4pcs
B		M8x55	4pcs
C		M8x45	2pcs
D			10pcs
E			10pcs
F		M5	1pc

# ASSEMBLY INSTRUCTION

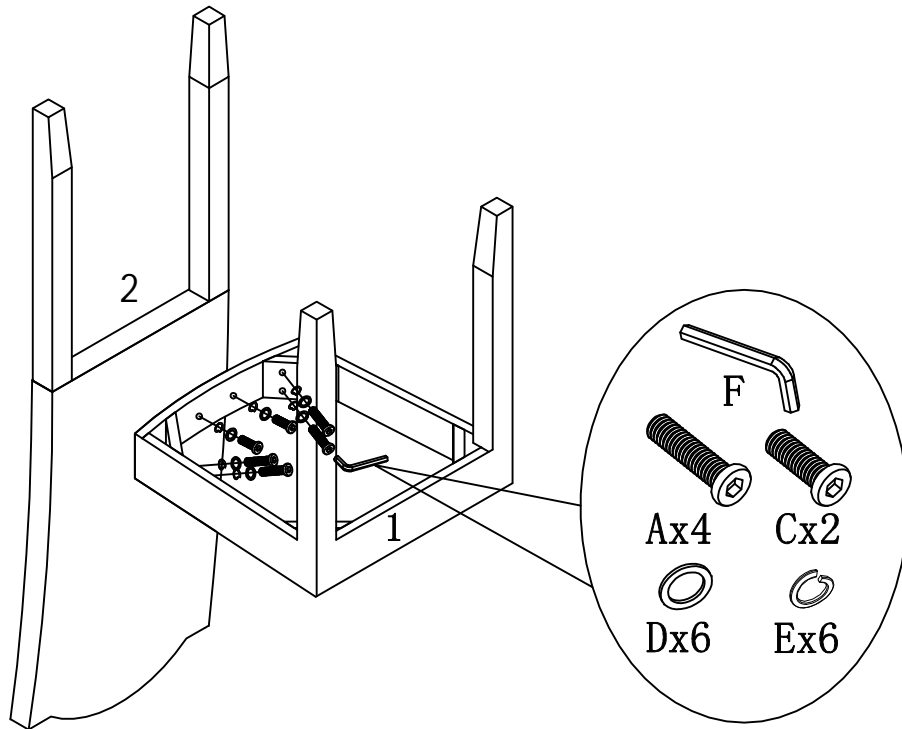
ITEM#: 6016-BLK 6017-COF 6018F-DGY

## STEP 1



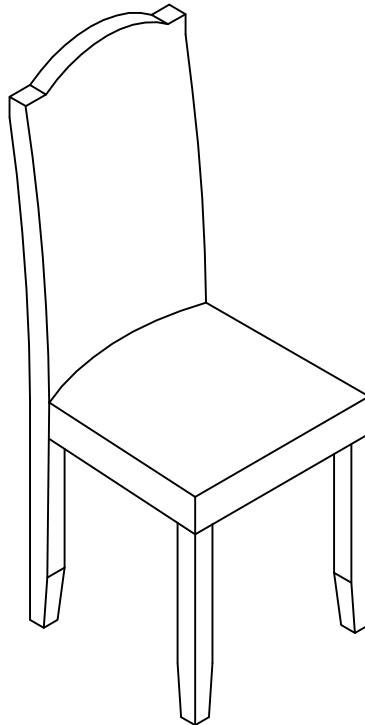
# ASSEMBLY INSTRUCTION

ITEM#: 6016-BLK 6017-COF 6018F-DGY



STEP2

STEP3



**Assembly is complete.**

Treat surfaces with care. wipe clean with a dry or damp soft cloth. Do not use abrasive cleaners.

PAGE 4 OF 4