

ASSEMBLY INSTRUCTION

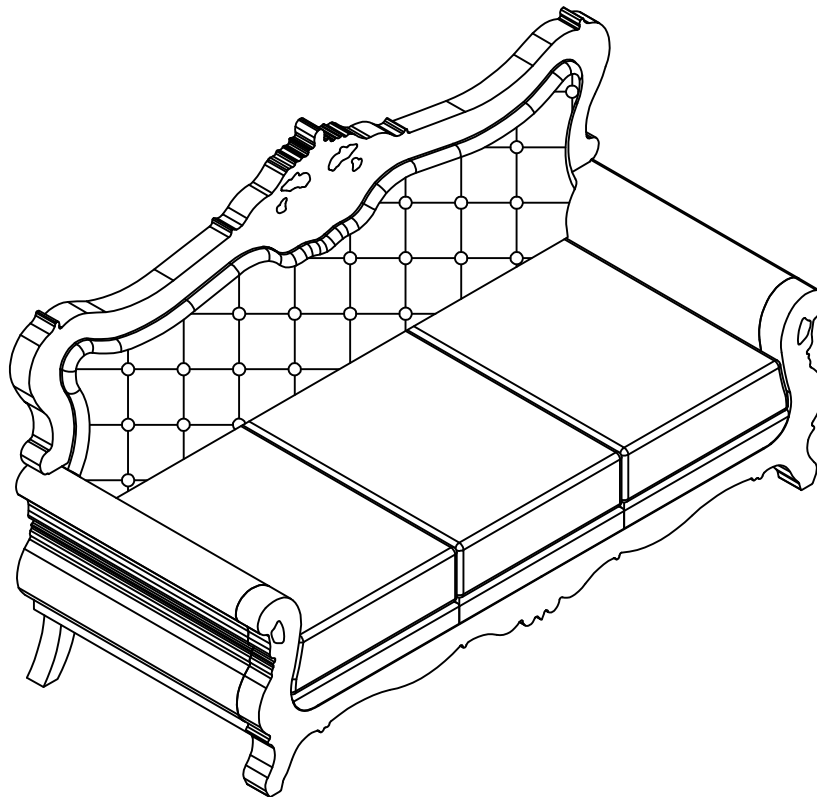
PLEASE READ BEFORE ASSEMBLING!

Tip #1: Make sure you've taken all the pieces and hardware out of its packaging before discarding the box. Assembly on top of flattened box/blanket is recommended.

Tip #2: Using page 2 and/or page 3 of instruction manual make sure all pieces and hardware are accounted for.

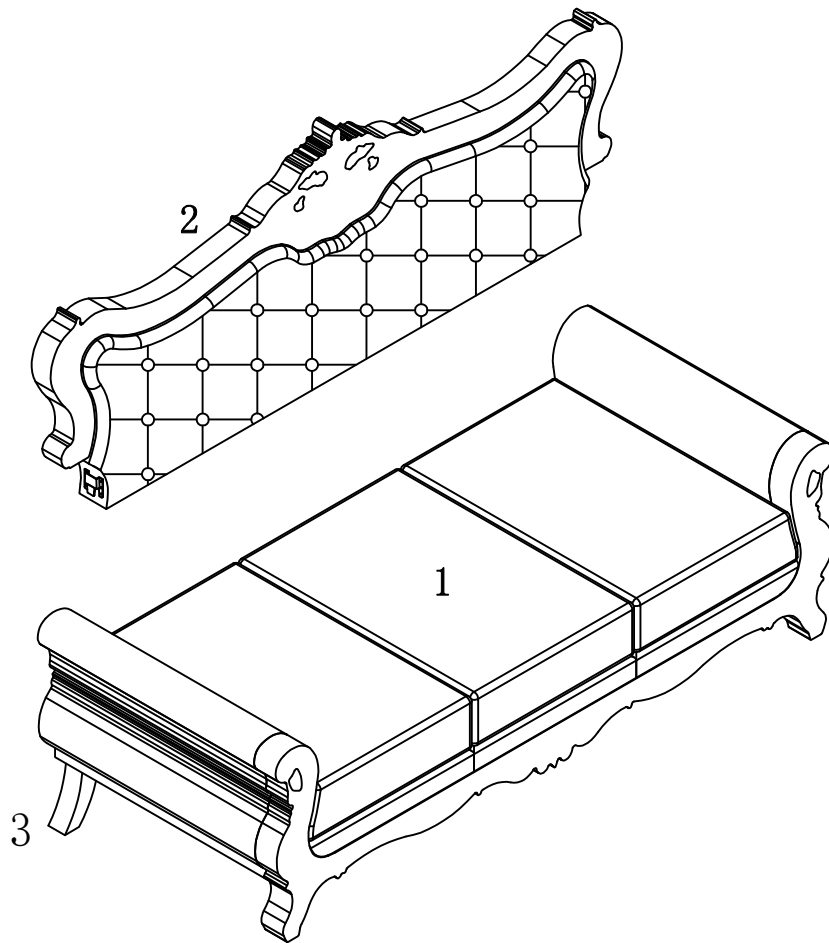
Tip #3: Note position of all holes on each panel during assembly.

ITEM#: 8061-3 8062-3



PARTS IDENTIFICATION

ITEM#: 8061-3 8062-3



#3 Legs are pre-assembled.

- | | |
|-----|------|
| (1) | 1pc |
| (2) | 1pc |
| (3) | 2pcs |

HARDWARE IDENTIFICATION

ITEM#: 8061-3 8062-3

A



3pcs

B



3pcs

C

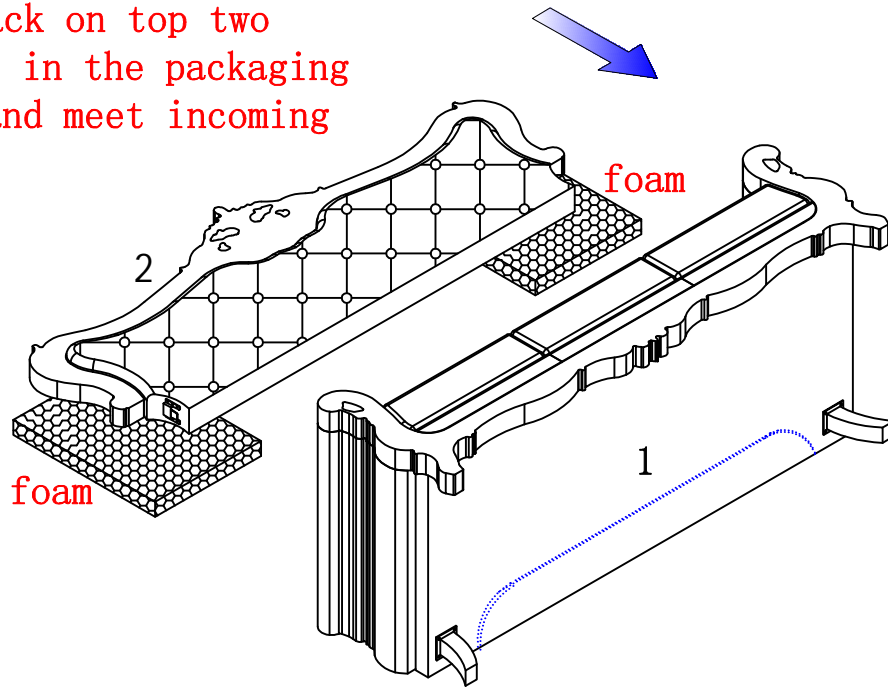


1pc

ASSEMBLY INSTRUCTION

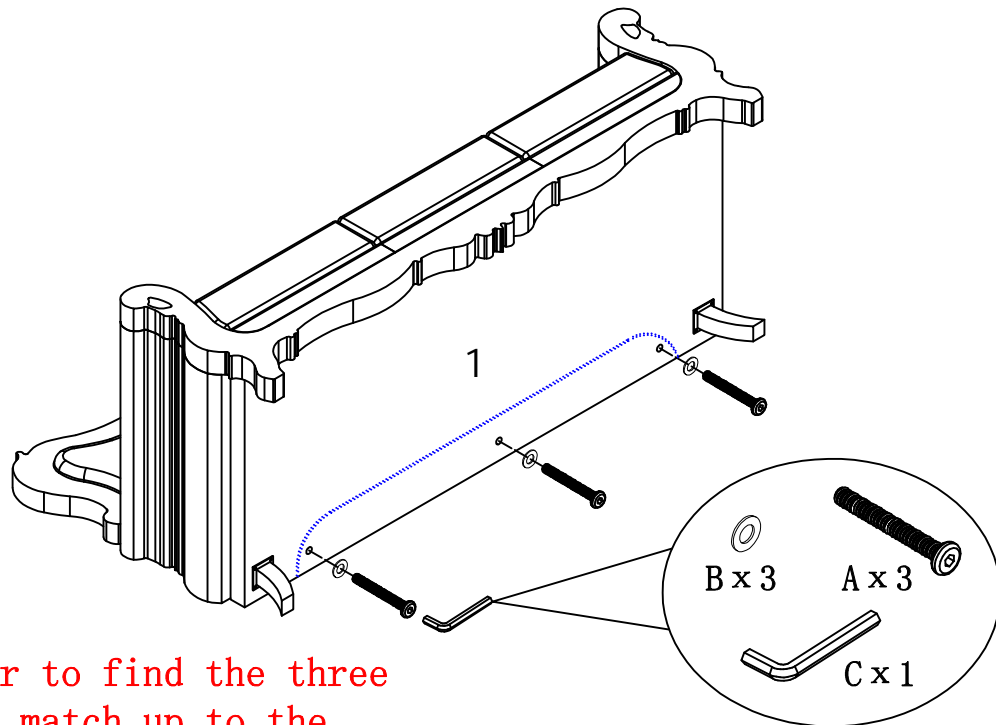
ITEM#: 8061-3 8062-3

Place the back on top two square foams in the packaging to lift up and meet incoming screws.



STEP 1

STEP 2



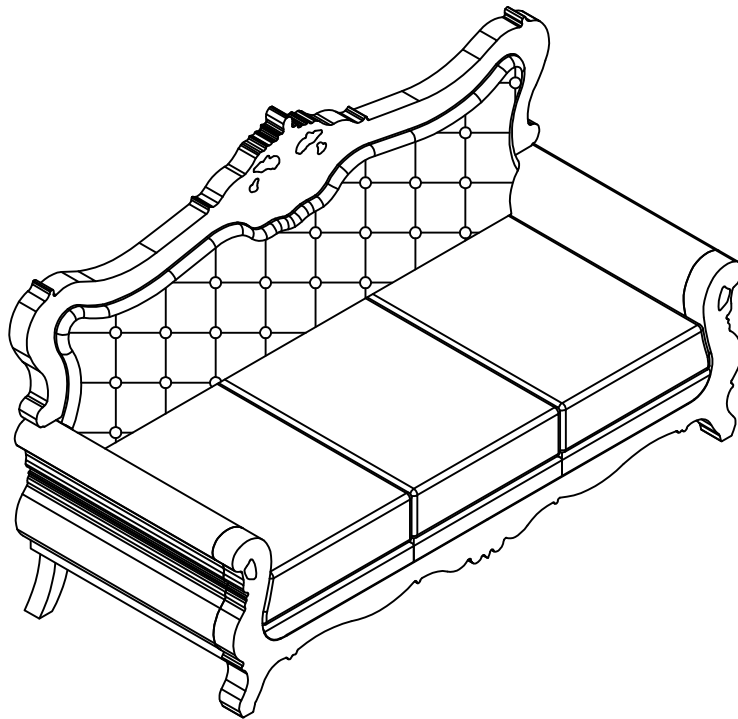
Open zipper to find the three holes that match up to the back. Tighten middle screw before the two sides.

PAGE 4 OF 5

ASSEMBLY INSTRUCTION

ITEM#: 8061-3 8062-3

STEP 3



Assembly is complete.

Treat surfaces with care. wipe clean with a dry or damp soft cloth. Do not use abrasive cleaners.

PAGE 5 OF 5