

ASSEMBLY INSTRUCTION

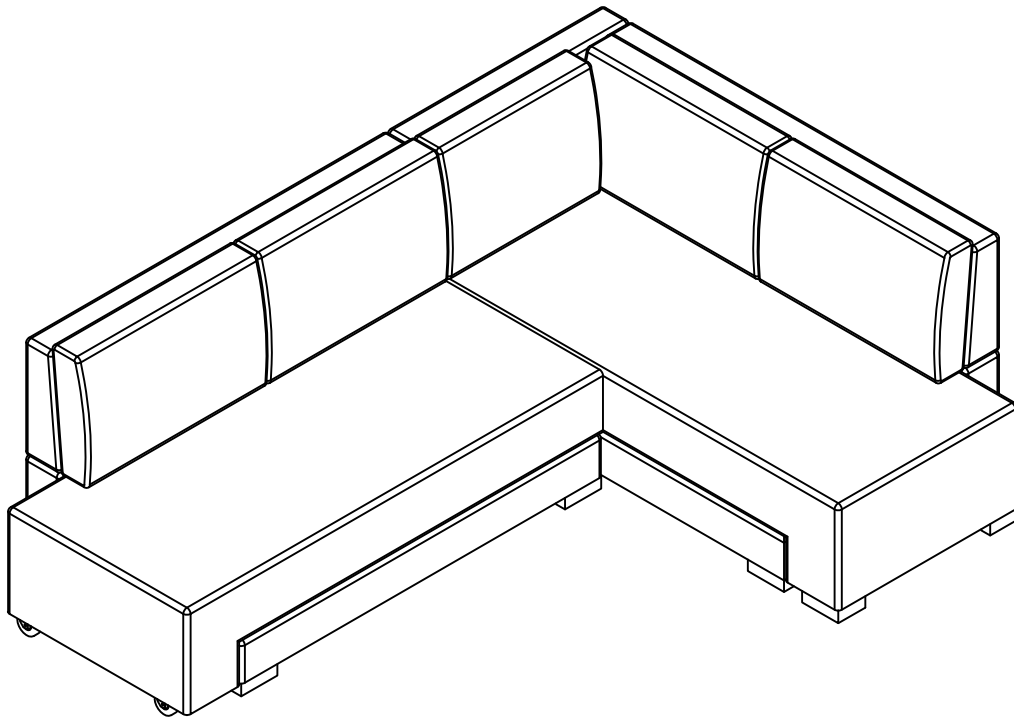
PLEASE READ BEFORE ASSEMBLING!

Tip #1: Make sure you've taken all the pieces and hardware out of its packaging before discarding the box. Assembly on top of flattened box/blanket is recommended.

Tip #2: Using page 2 and/or page 3 of instruction manual make sure all pieces and hardware are accounted for.

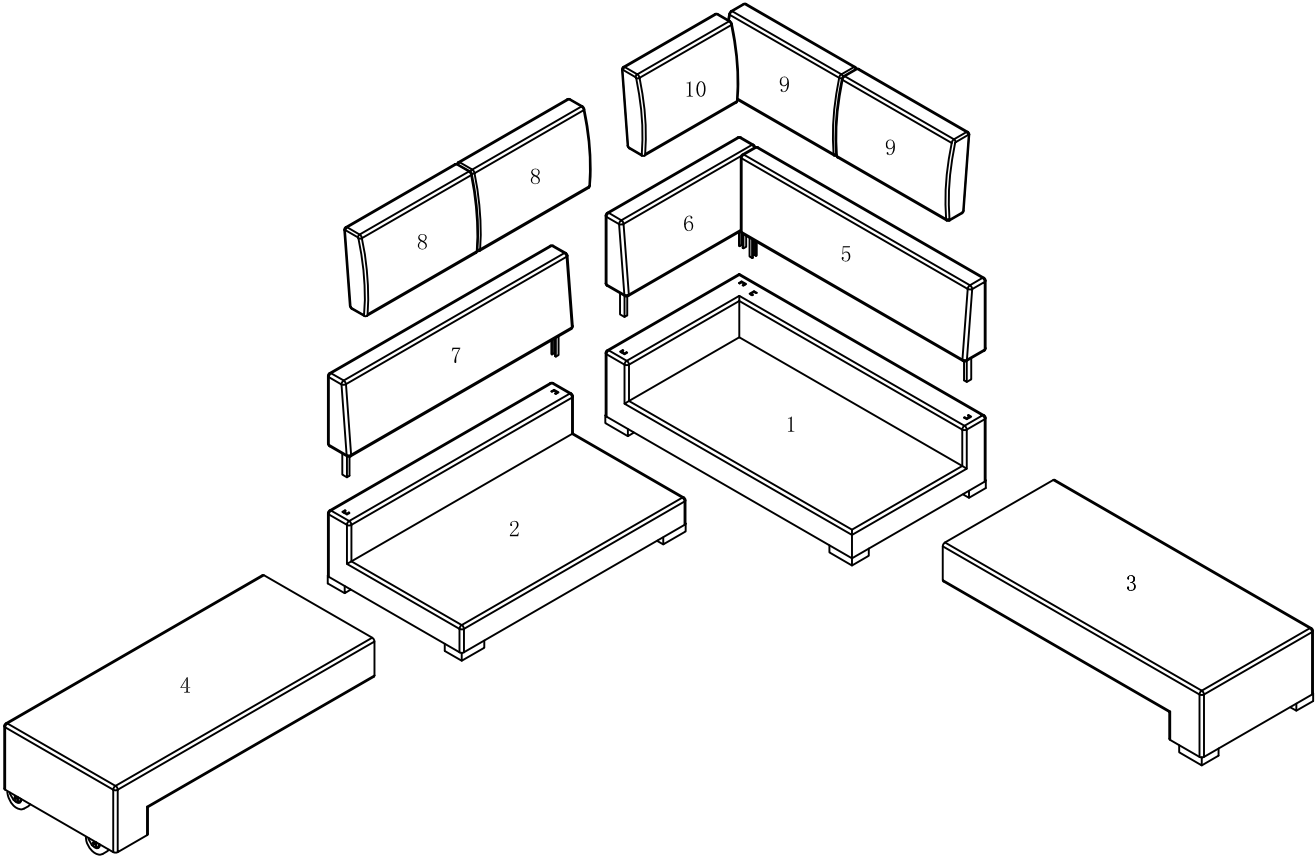
Tip #3: Note position of all holes on each panel during assembly.

ITEM: 8065



PARTS IDENTIFICATION

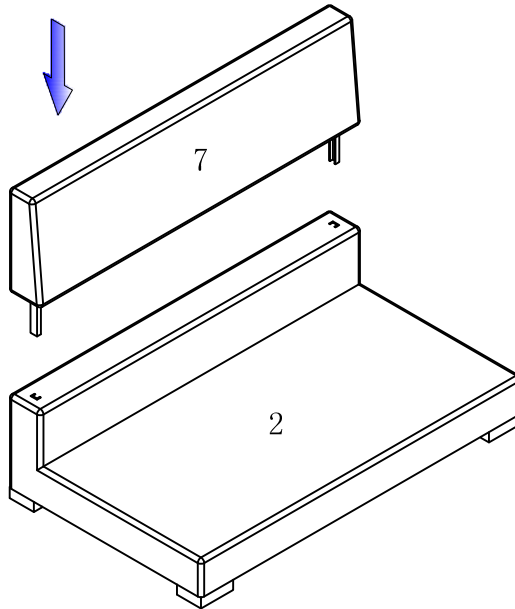
ITEM: 8065



(1)	1pc	(6)	1pc
(2)	1pc	(7)	1pc
(3)	1pc	(8)	2pcs
(4)	1pc	(9)	2pcs
(5)	1pc	(10)	1pc

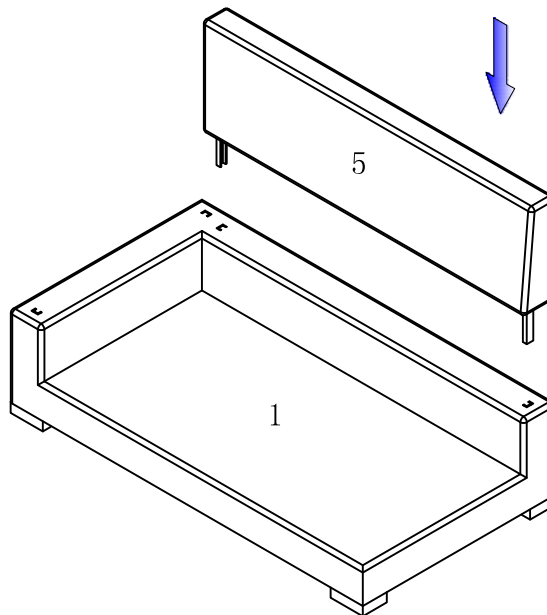
ASSEMBLY INSTRUCTION

ITEM: 8065



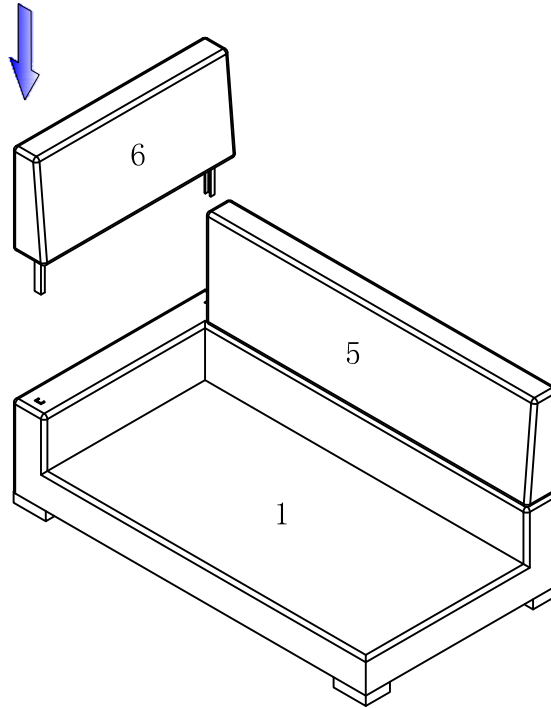
STEP1

STEP2



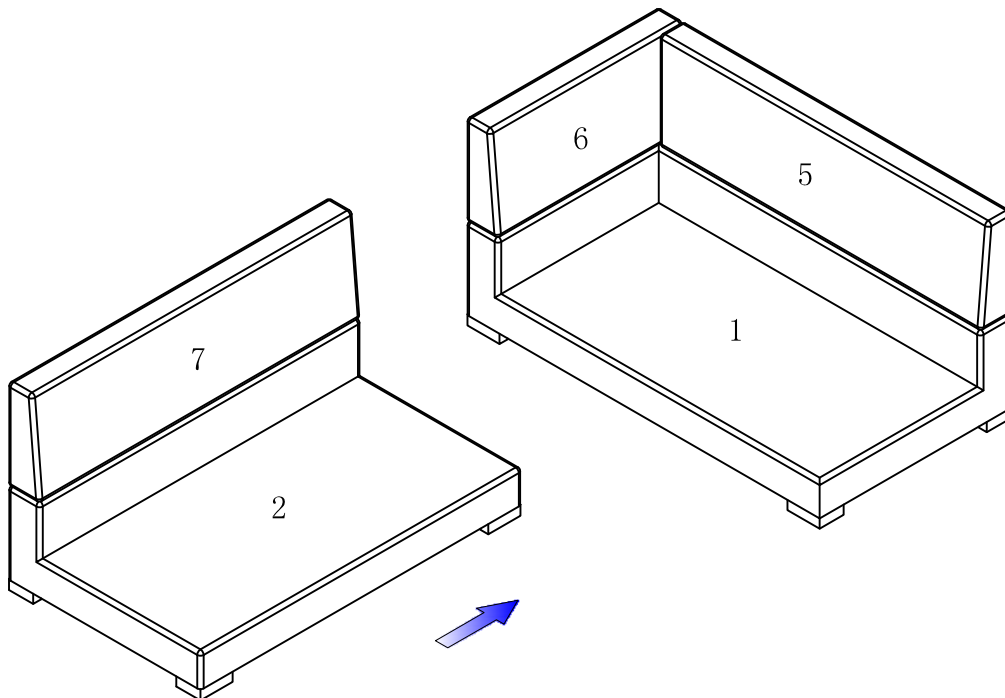
ASSEMBLY INSTRUCTION

ITEM: 8065



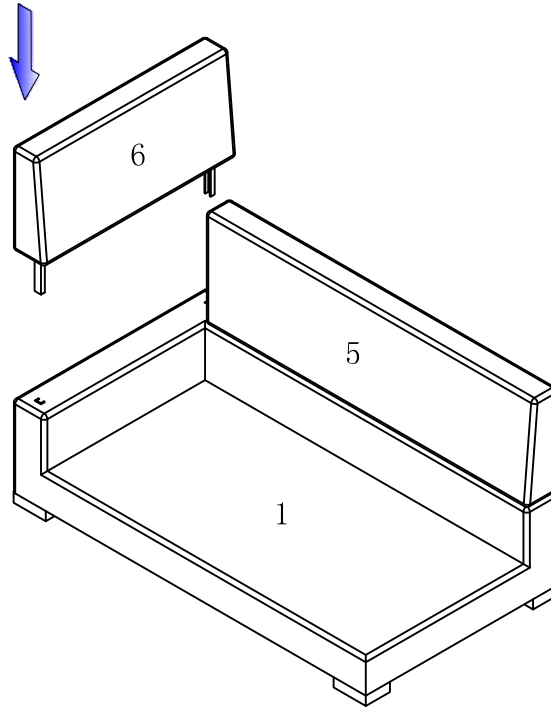
STEP3

STEP4



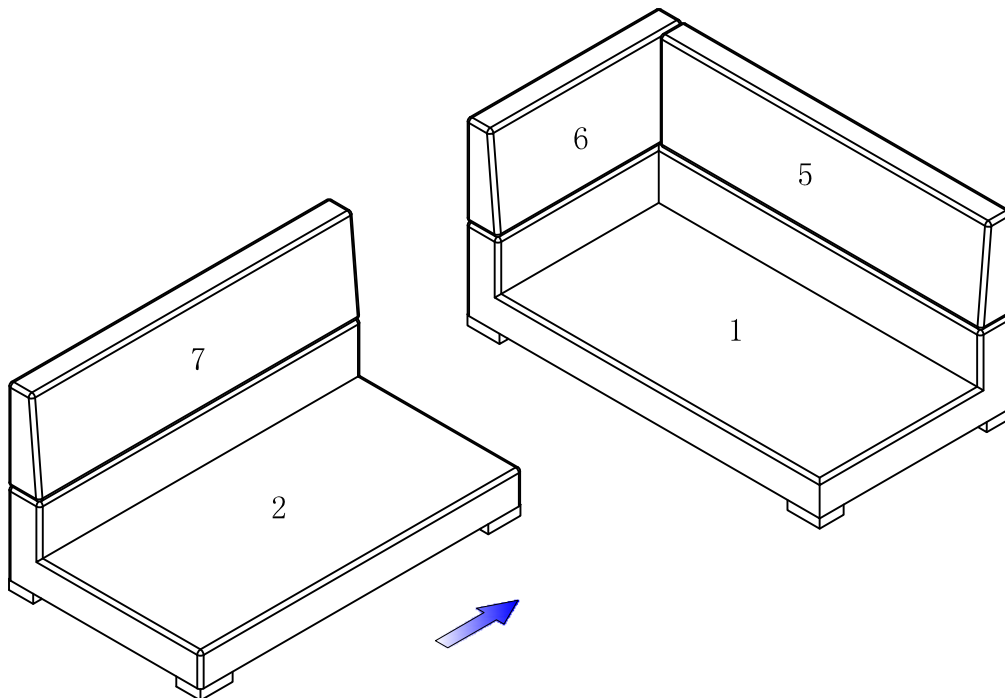
ASSEMBLY INSTRUCTION

ITEM: 8065



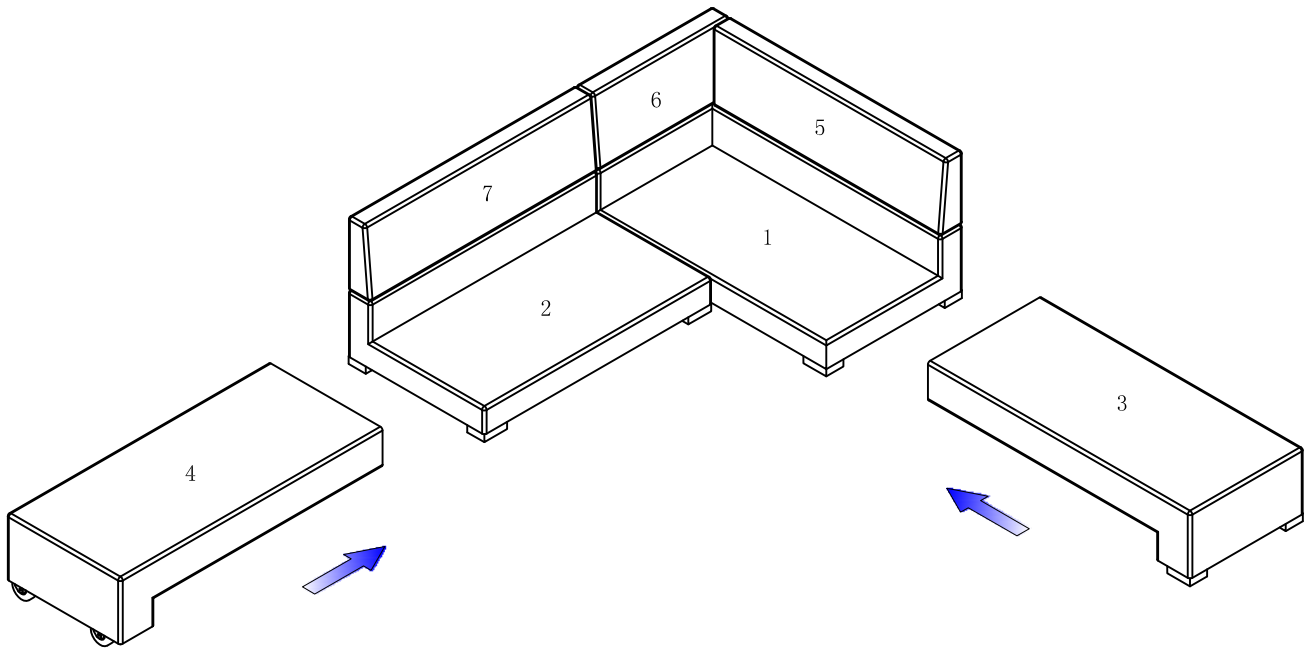
STEP3

STEP4



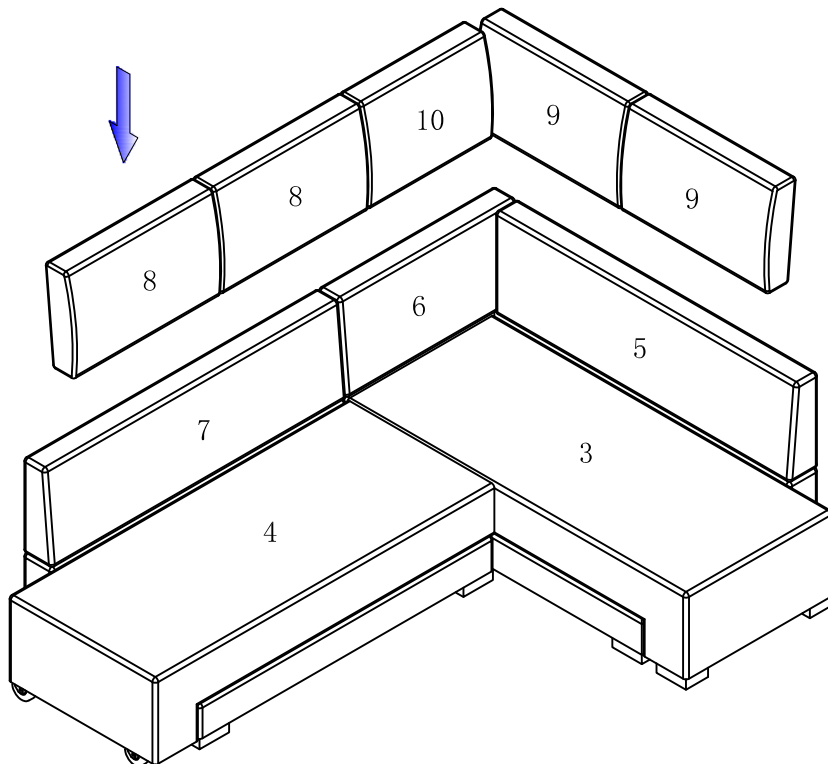
ASSEMBLY INSTRUCTION

ITEM: 8065



STEP5

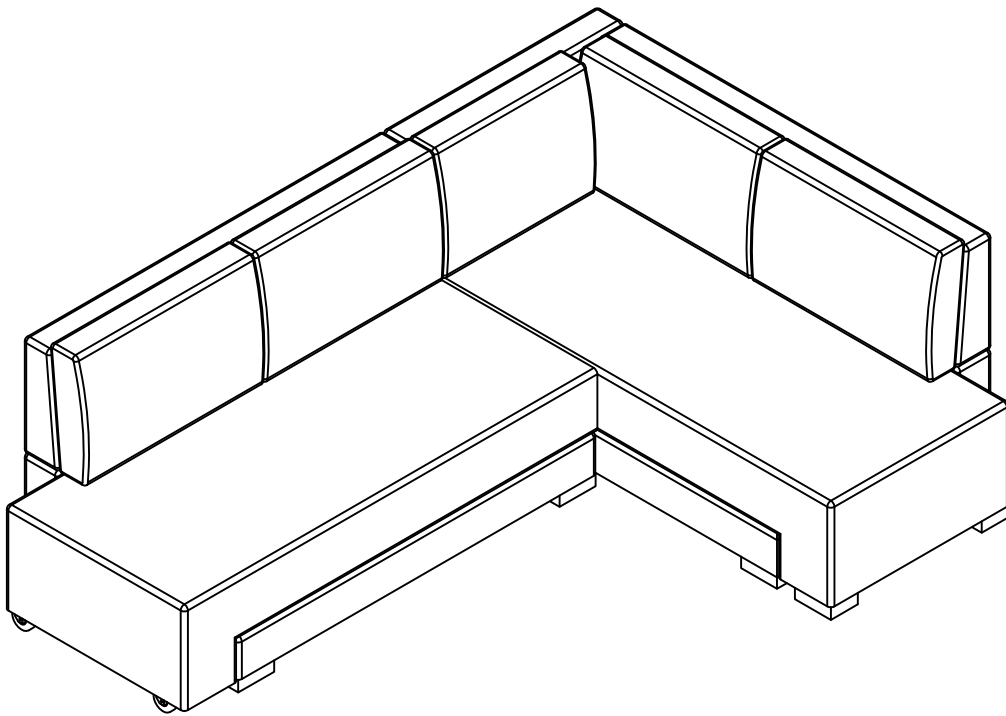
STEP6



ASSEMBLY INSTRUCTION

ITEM: 8065

STEP 7



Assembly is complete.

Treat surfaces with care. wipe clean with a dry or damp soft cloth. Do not use abrasive cleaners.