

# ASSEMBLY INSTRUCTION

---

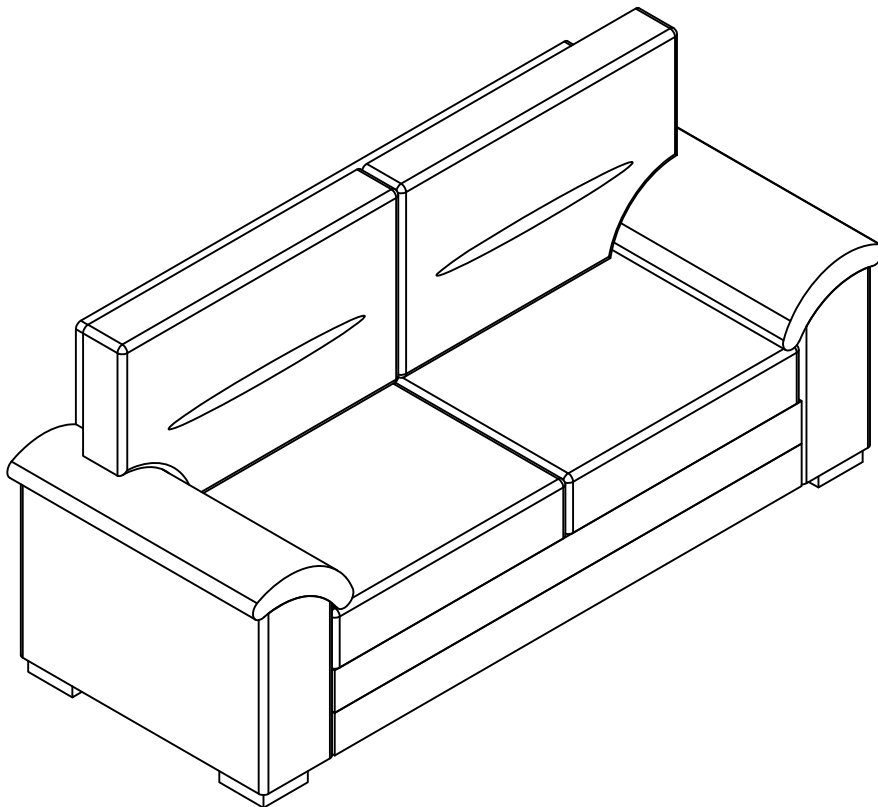
## **PLEASE READ BEFORE ASSEMBLING!**

Tip #1: Make sure you have removed all parts of the item and hardware out of the packaging before assembly. Do not discard any part of packaging until after assembly is complete.

Tip #2: Using page 2 of the manual, make sure all parts and hardware is accounted for.

Tip #3: Assembly on a carpet/blanketed surface is recommended to protect against damage to the product.

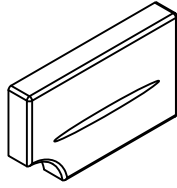
ITEM#: 8068-2



# PARTS IDENTIFICATION

ITEM#: 8068-2

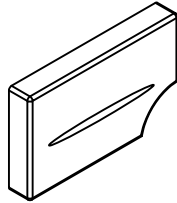
1



LEFT BACK PILLOW

1pc

2

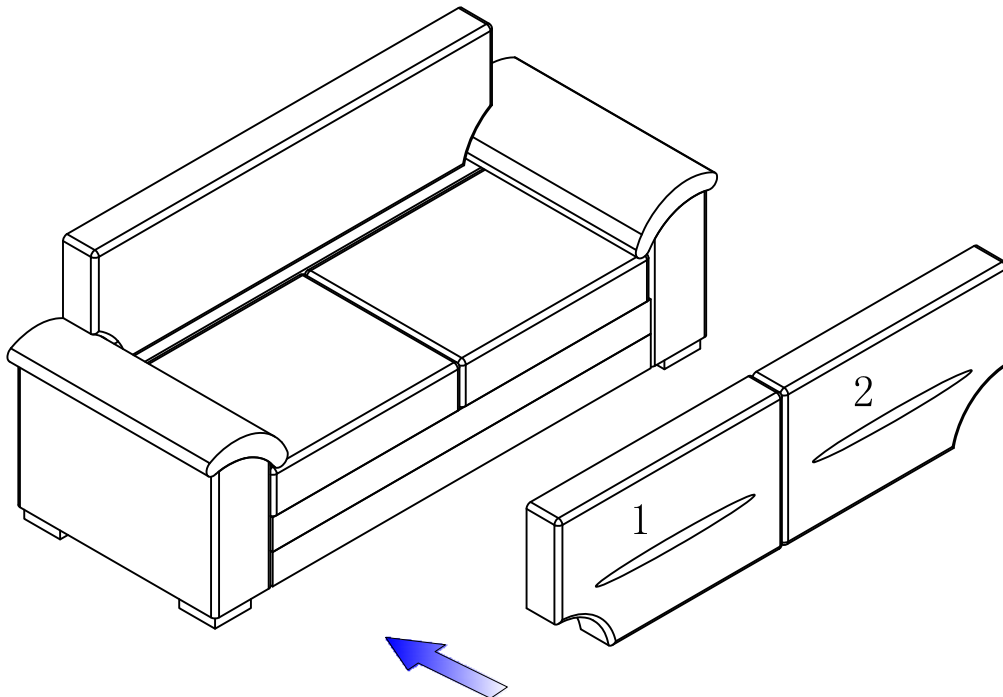


RIGHT BACK PILLOW

1pc

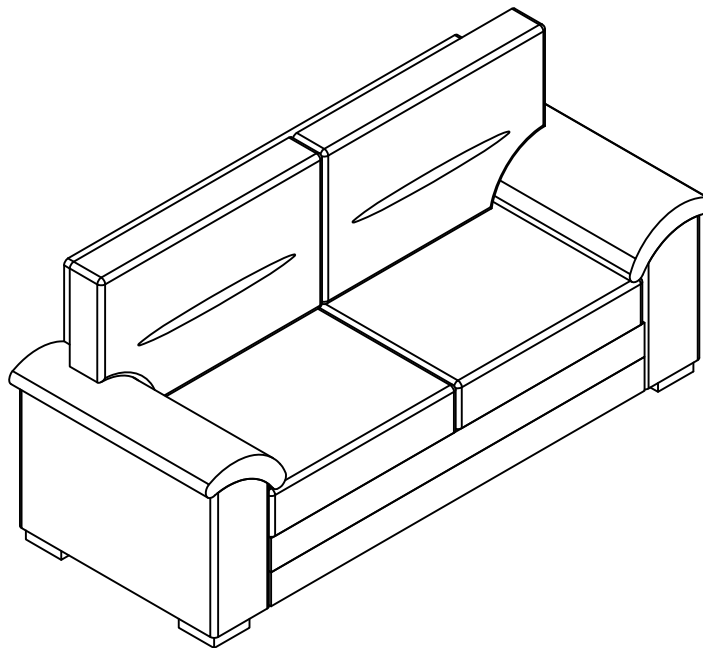
# ASSEMBLY INSTRUCTION

ITEM#: 8068-2



STEP1

STEP2



**Assembly is complete.**

Treat surfaces with care. wipe clean with a dry or damp soft cloth. Do not use abrasive cleaners.

PAGE 3 OF 3