

ASSEMBLY INSTRUCTION

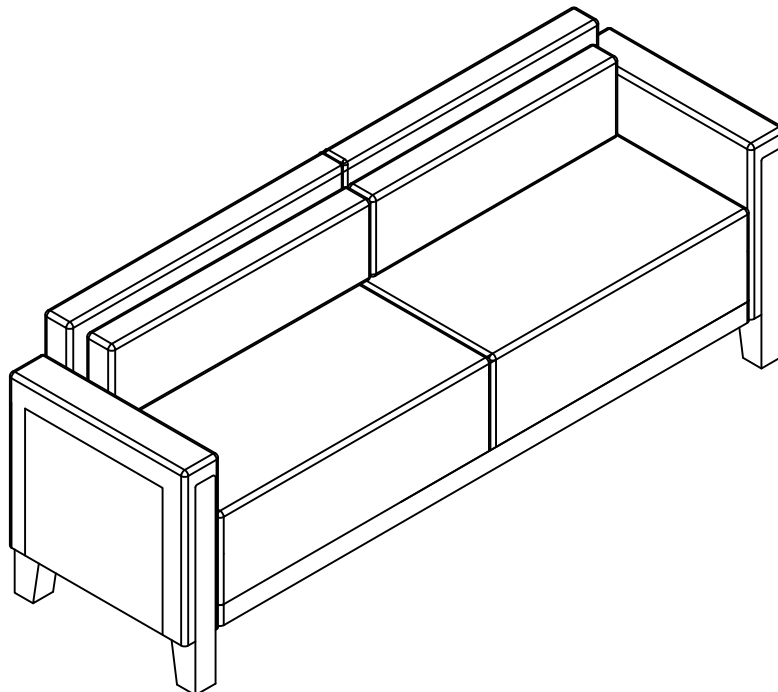
PLEASE READ BEFORE ASSEMBLING!

Tip #1: Make sure you've taken all the pieces and hardware out of its packaging before discarding the box. Assembly on top of flattened box/blanket is recommended.

Tip #2: Using page 2 and/or page 3 of instruction manual make sure all pieces and hardware are accounted for.

Tip #3: Note position of all holes on each panel during assembly.

ITEM#: 8071-3



HARDWARE IDENTIFICATION

ITEM#: 8071-3

A



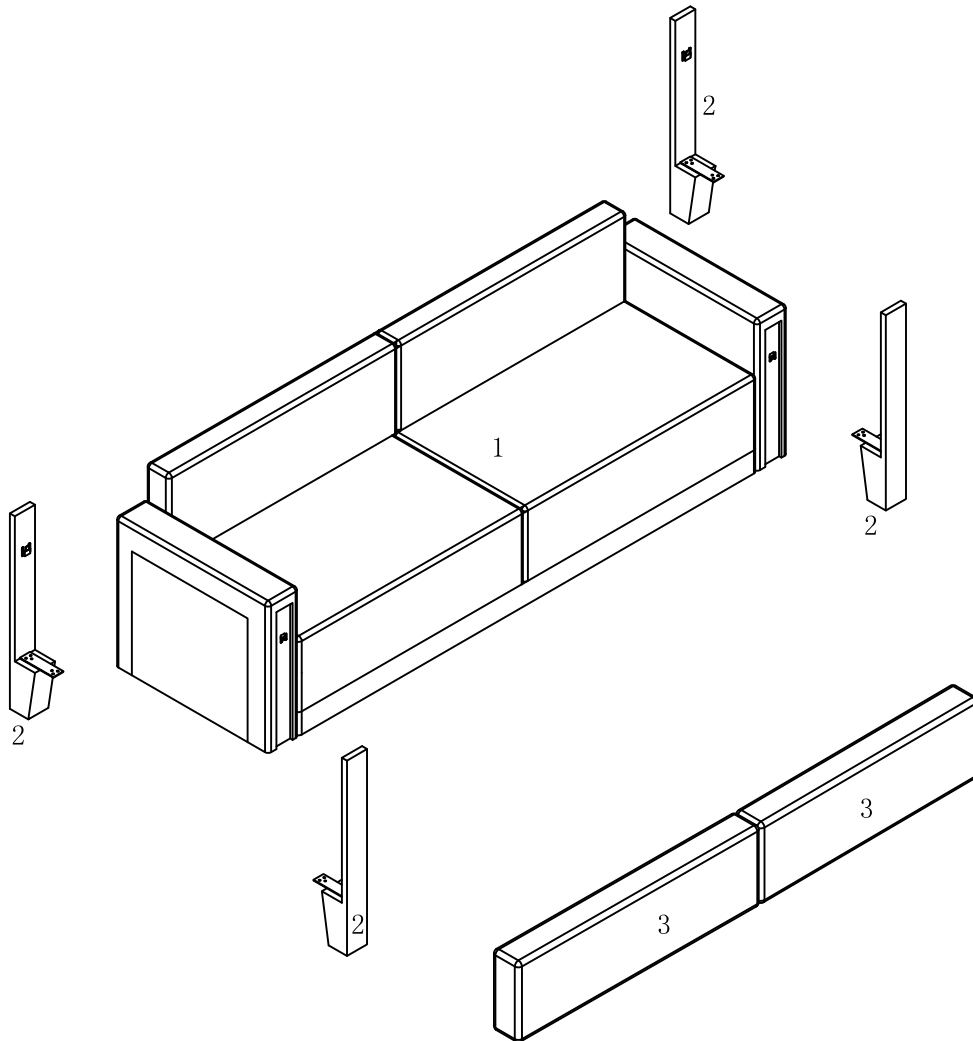
1pc

B



12pcs

PARTS IDENTIFICATION

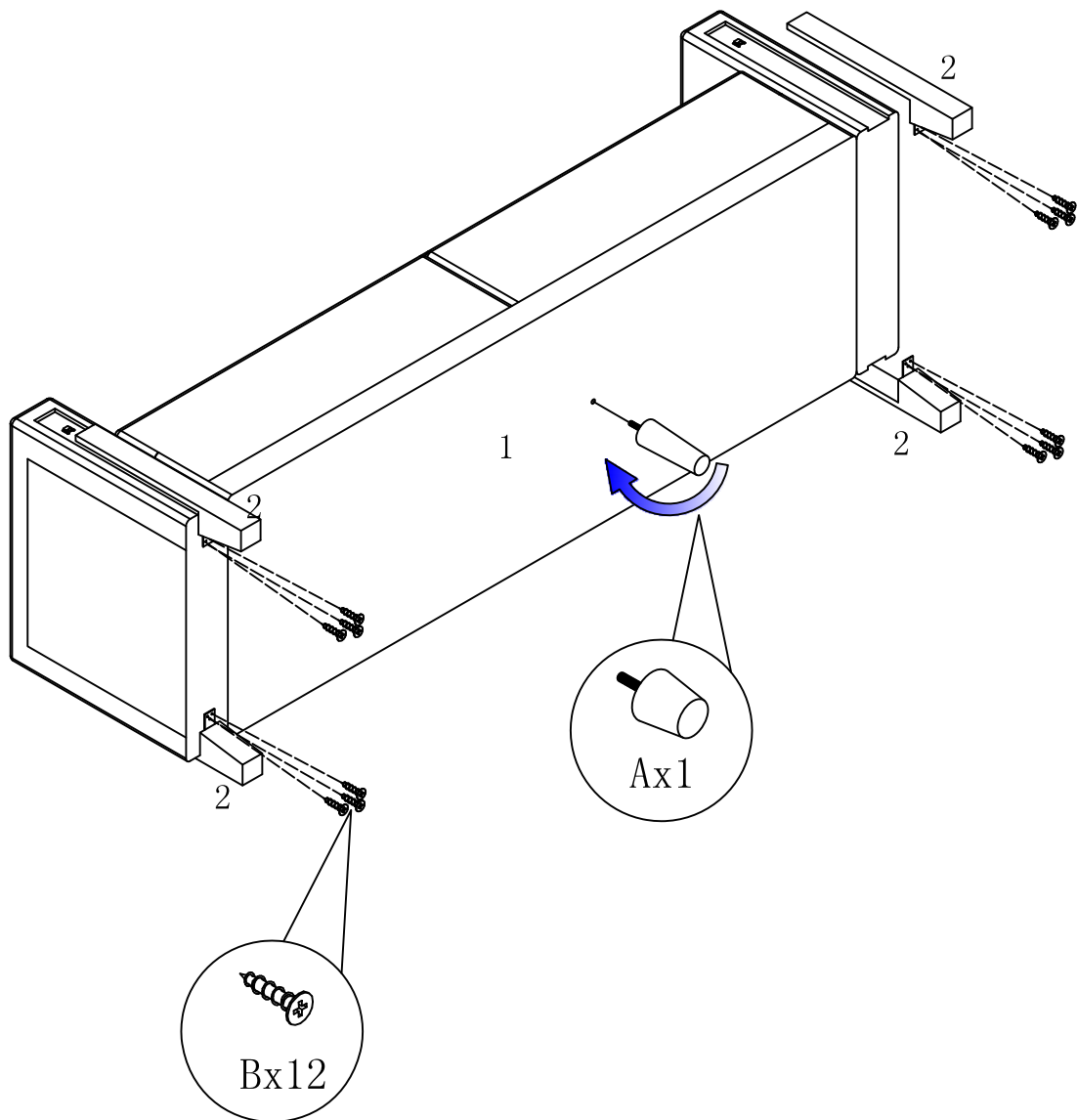


- (1) 1pc
- (2) 4pcs
- (3) 2pc

ASSEMBLY INSTRUCTION

ITEM#: 8071-3

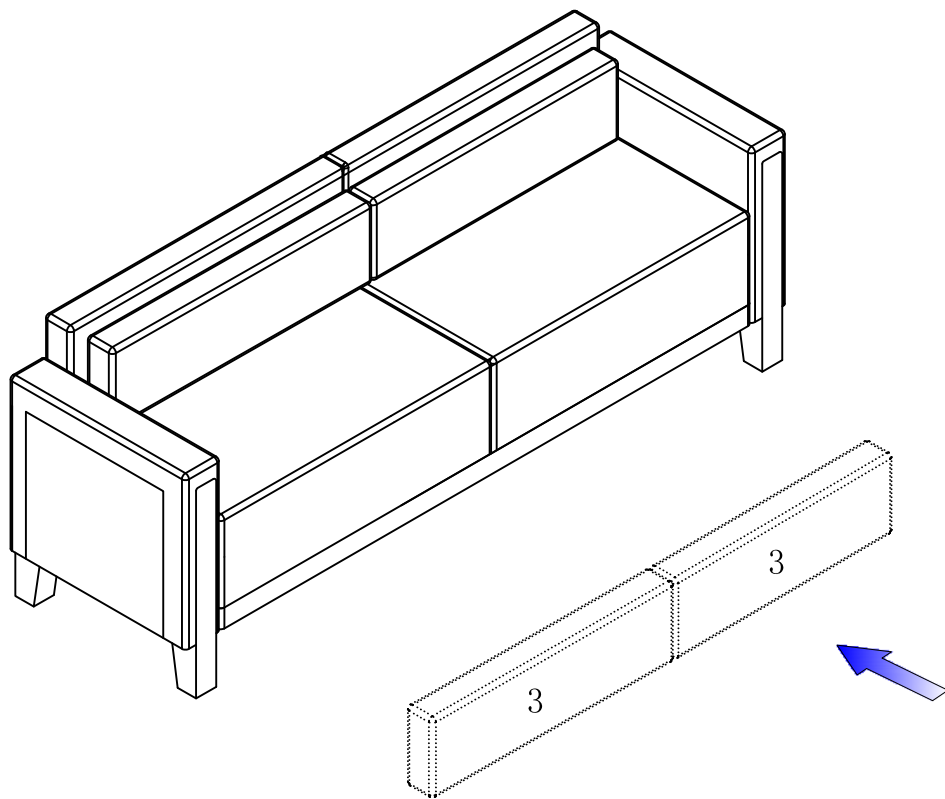
STEP 1



ASSEMBLY INSTRUCTION

ITEM#: 8071-3

STEP 2



Assembly is complete.

Treat surfaces with care. wipe clean with a dry or damp soft cloth. Do not use abrasive cleaners.