

# ASSEMBLY INSTRUCTION

---

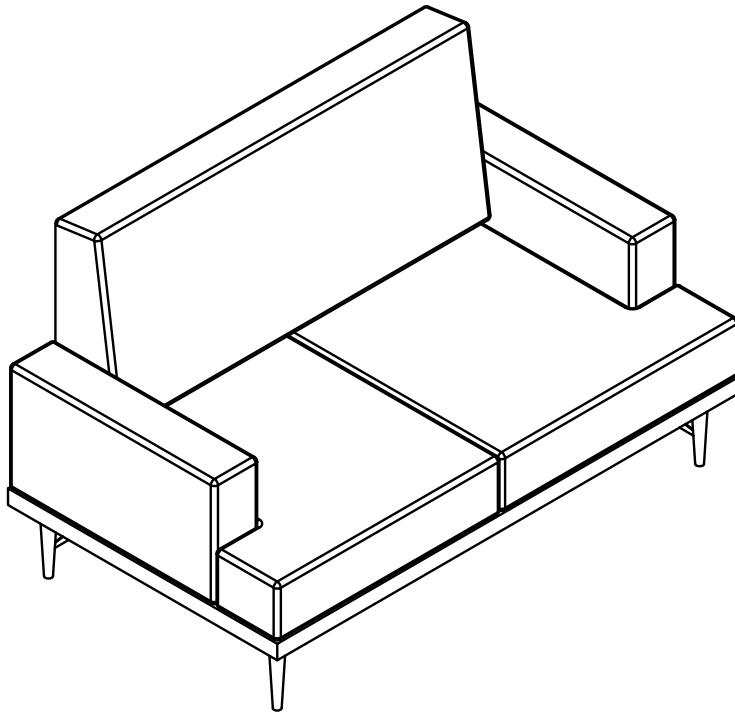
## **PLEASE READ BEFORE ASSEMBLING!**

Tip #1: Make sure you've taken all the pieces and hardware out of its packaging before discarding the box. Assembly on top of flattened box/blanket is recommended.

Tip #2: Using page 2 and/or page 3 of instruction manual make sure all pieces and hardware are accounted for.



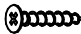



Tip #3: Note position of all holes on each panel during assembly.

ITEM#: 8073-2

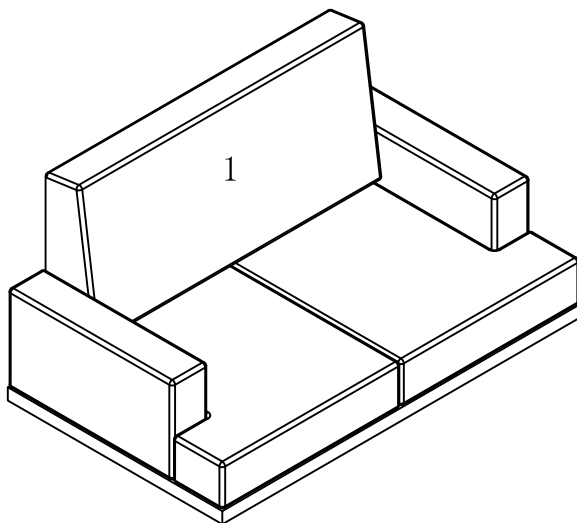


# HARDWARE IDENTIFICATION

ITEM#: 8073-2

A		4pcs
B		8pcs
C		16pcs
D		1pc
E		8pcs
F		8pcs

# PARTS IDENTIFICATION

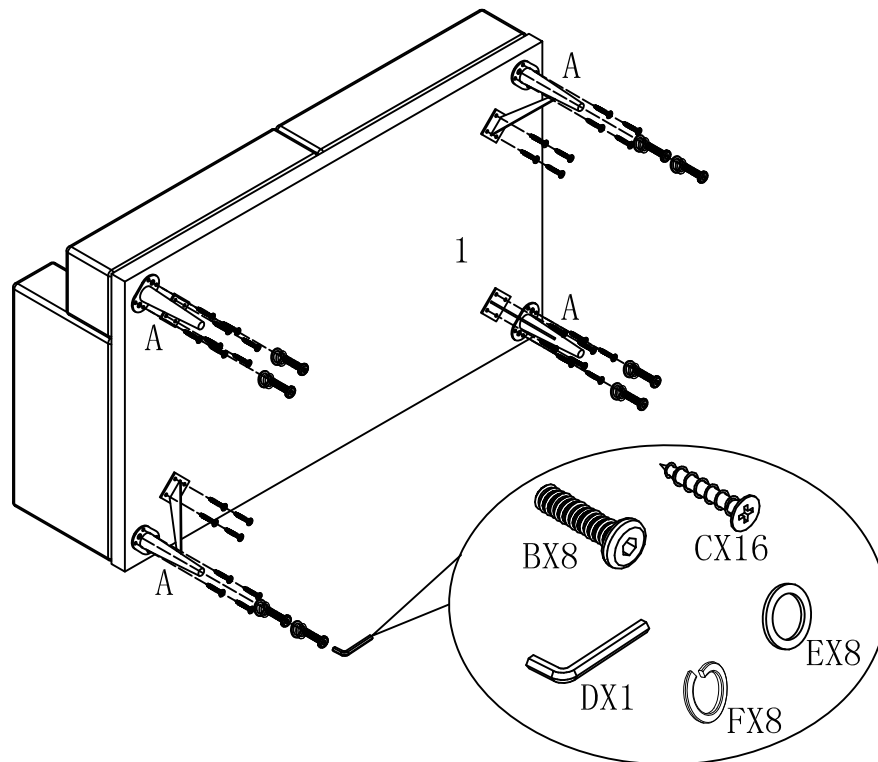


(1) 1pc

# ASSEMBLY INSTRUCTION

ITEM#: 8073-2

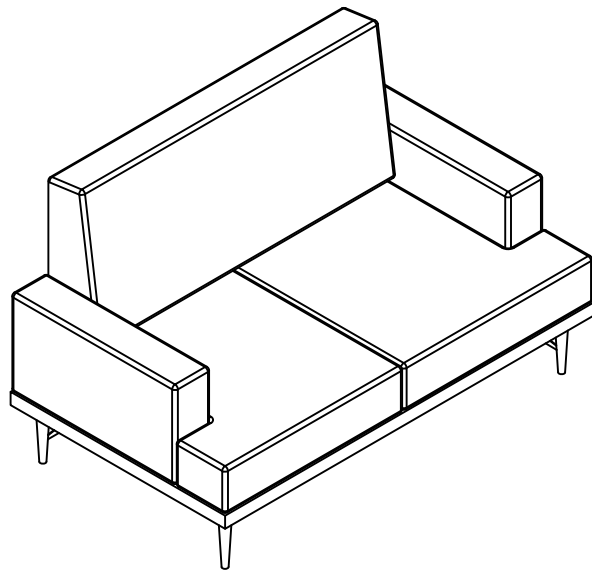
## STEP 1



# ASSEMBLY INSTRUCTION

---

ITEM#: 8073-2



## **Assembly is complete.**

Treat surfaces with care. wipe clean with a dry or damp soft cloth. Do not use abrasive cleaners.