

# ASSEMBLY INSTRUCTION

---

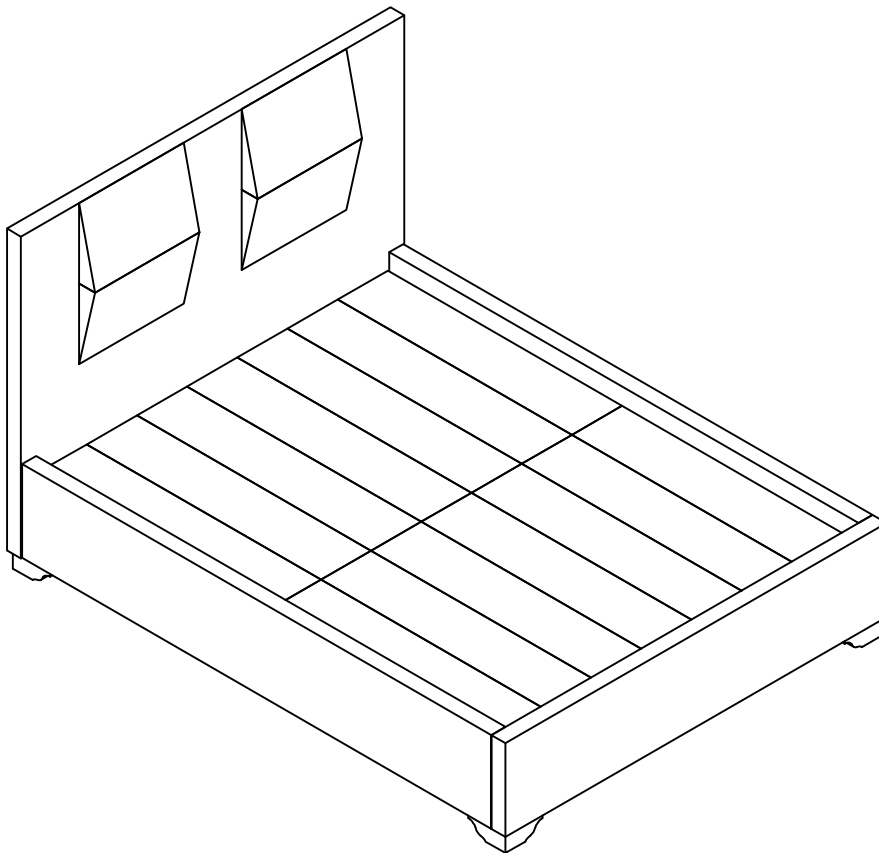
## **PLEASE READ BEFORE ASSEMBLING!**

Tip #1: Make sure you've taken all the pieces and hardware out of its packaging before discarding the box. Assembly on top of flattened box/blanket is recommended.

Tip #2: Using page 2 and/or page 3 of instruction manual make sure all pieces and hardware are accounted for.

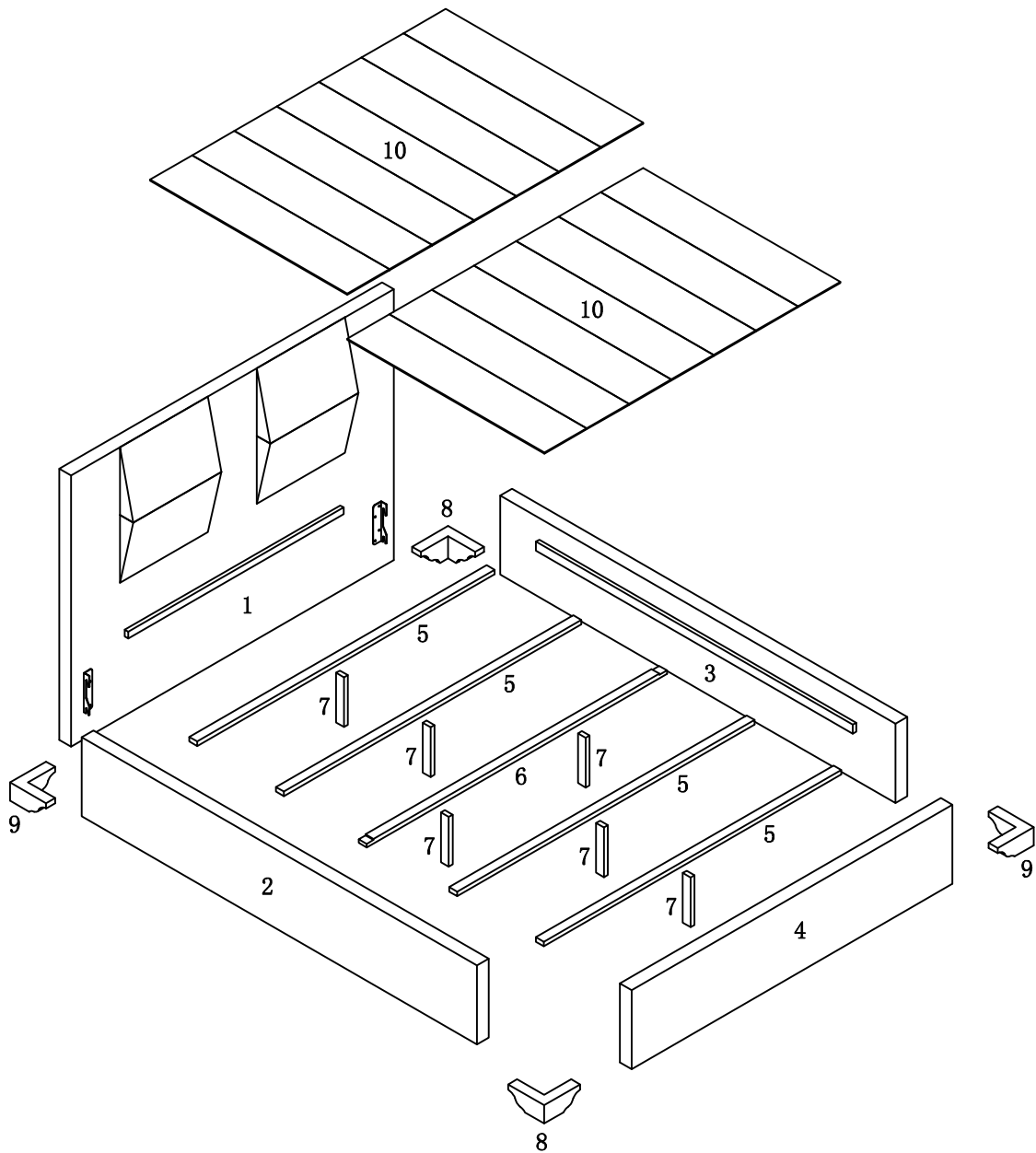
Tip #3: Note position of all holes on each panel during assembly.

ITEM#: 9001Q



# PARTS IDENTIFICATION

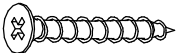


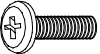


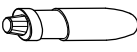
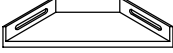
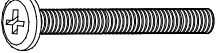


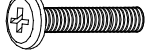
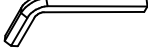
ITEM#: 9001Q



(1)	1pc	(6)	1pc
(2)	1pc	(7)	6pcs
(3)	1pc	(8)	2pcs
(4)	1pc	(9)	2pcs
(5)	4pcs		

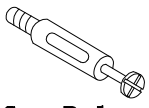
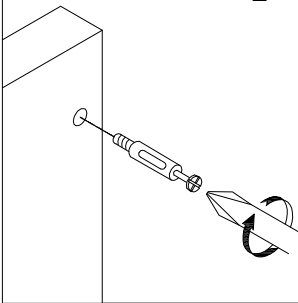
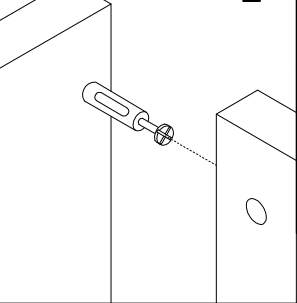
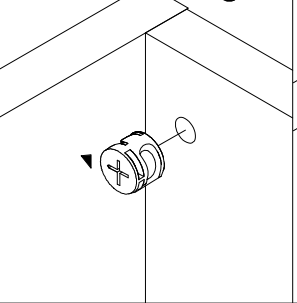
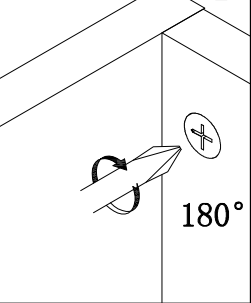

# HARDWARE IDENTIFICATION

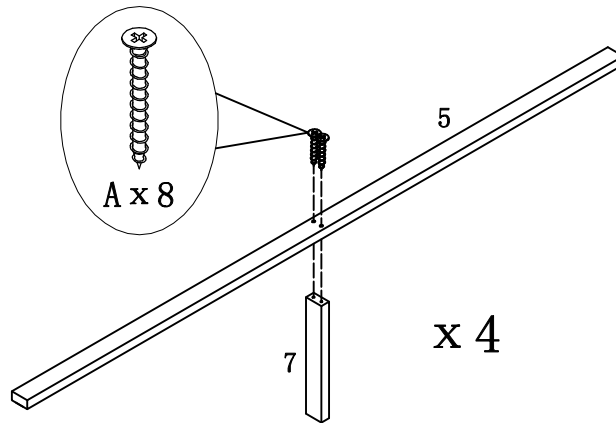
ITEM#: 9002Q

A		12pcs
B		8pcs
C		2pcs
D		8pcs
E		2pcs
F		8pcs
G		1pc
H		4pcs
I		6pcs
J		4pcs
K		4pcs
L		2pcs
M		1pc

# ASSEMBLY INSTRUCTION

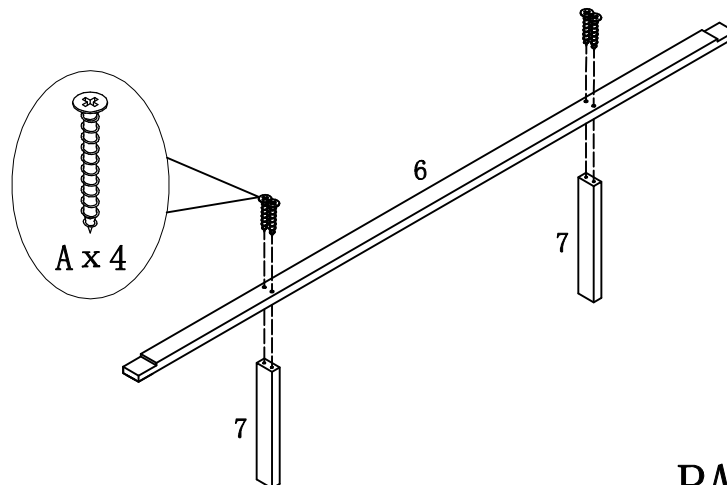
ITEM#: 9001Q

HOW TO	1	2	3	4
 Cam Bolt				
 Cam Lock	1. Screw Cam Bolt into panel.	2. Insert Cam Bolt into bolt hole of joining panel.	3. Insert Cam Lock. arrow facing bolt.	4. Gently turn Cam Lock clockwise to lock position.



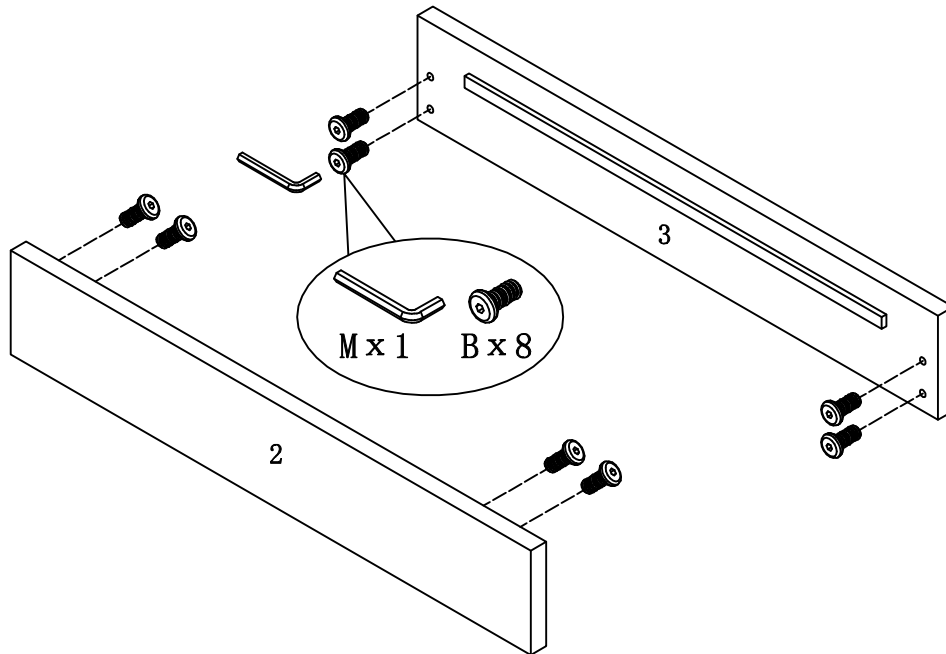
STEP1

STEP2



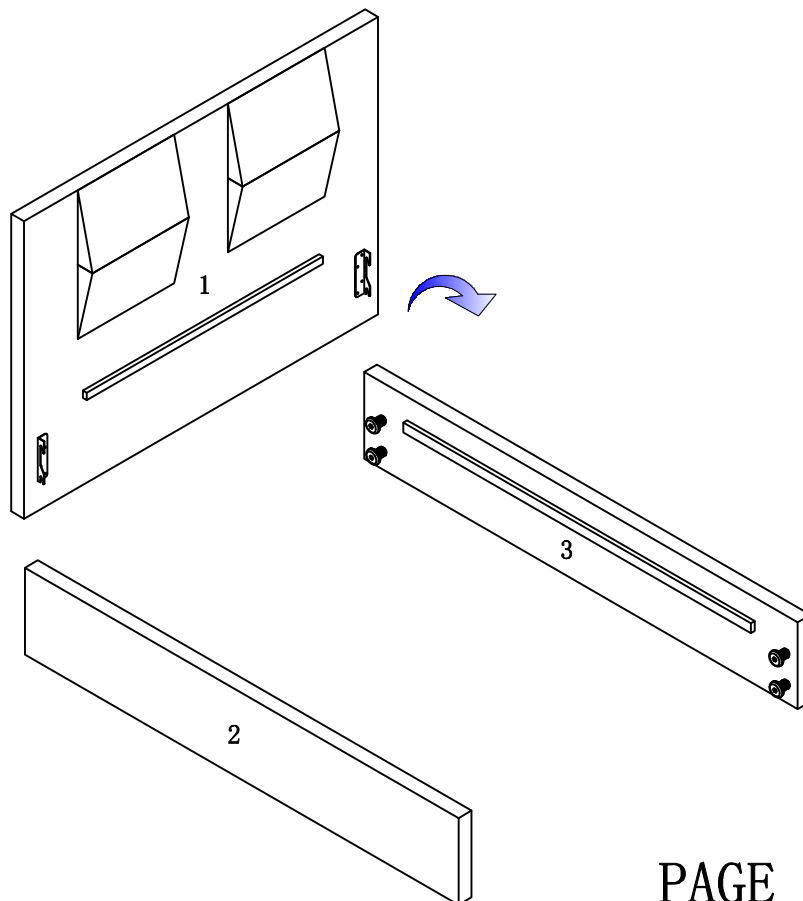
# ASSEMBLY INSTRUCTION

ITEM#: 9001Q



STEP 3

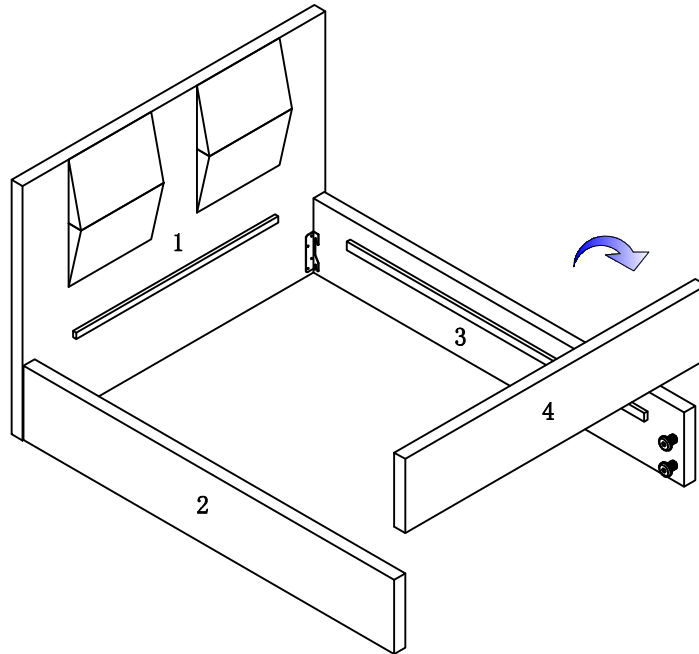
STEP 4



PAGE 5 OF 9

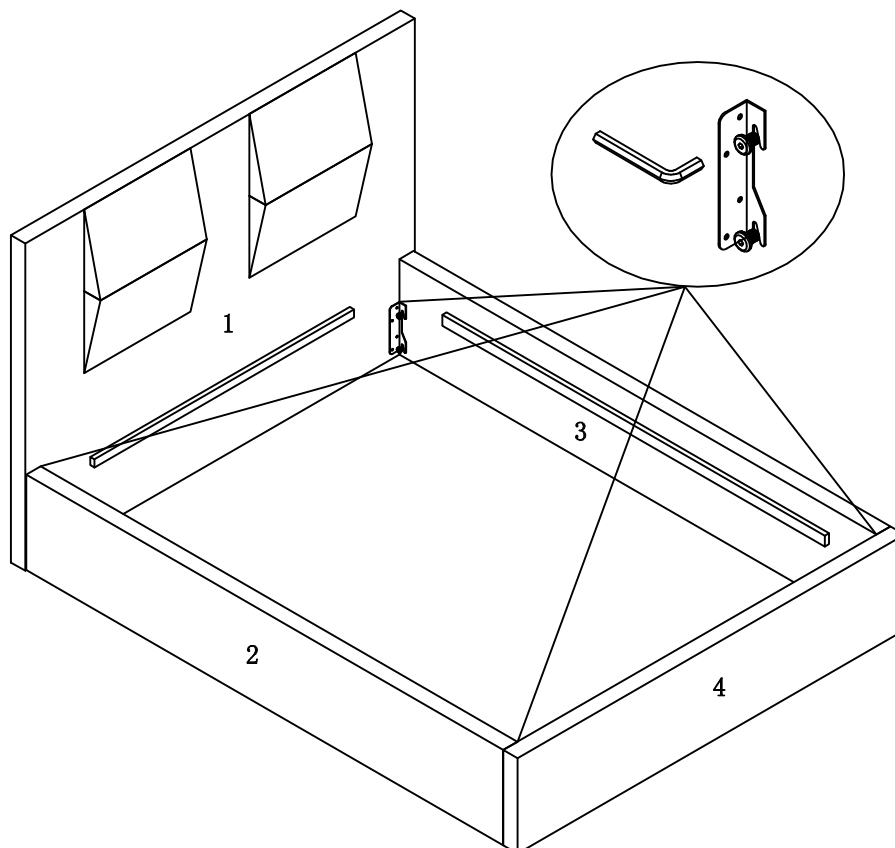
# ASSEMBLY INSTRUCTION

ITEM#: 9001Q



STEP5

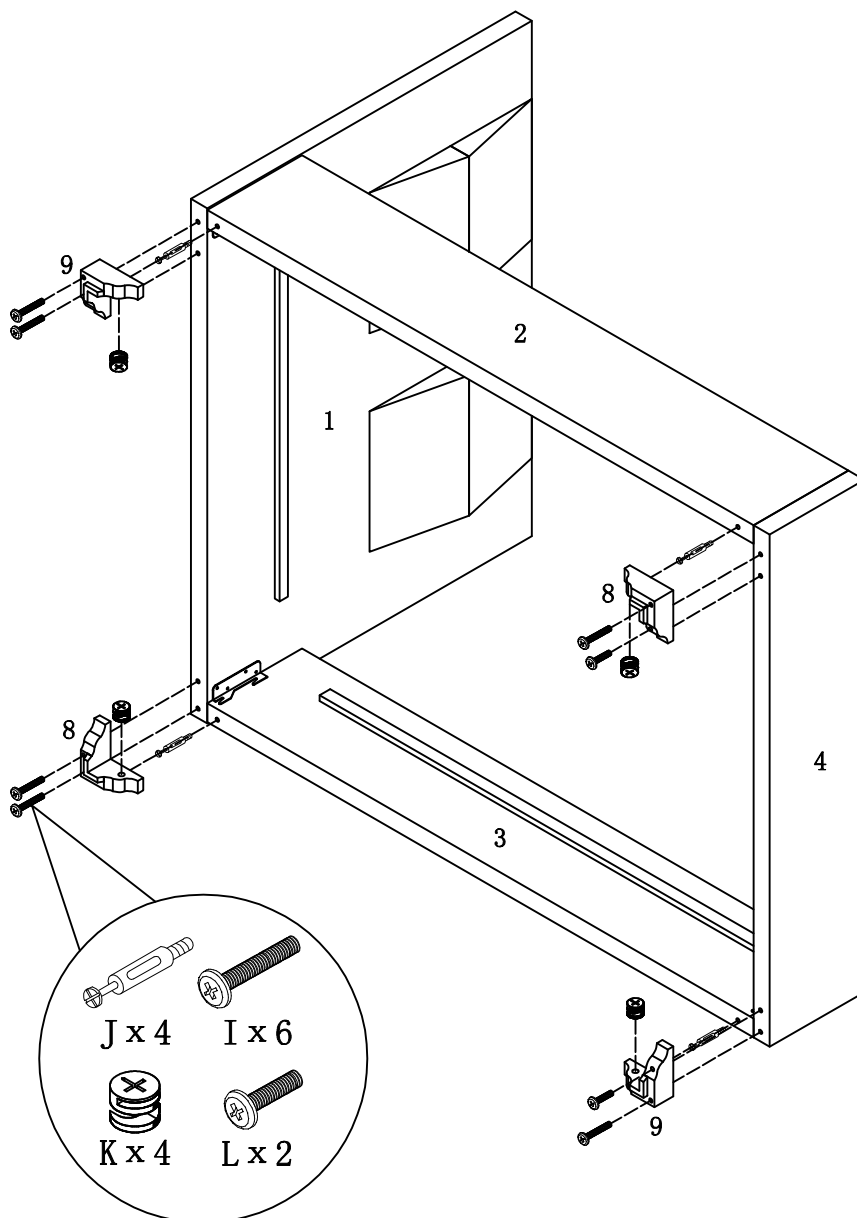
STEP6



# ASSEMBLY INSTRUCTION

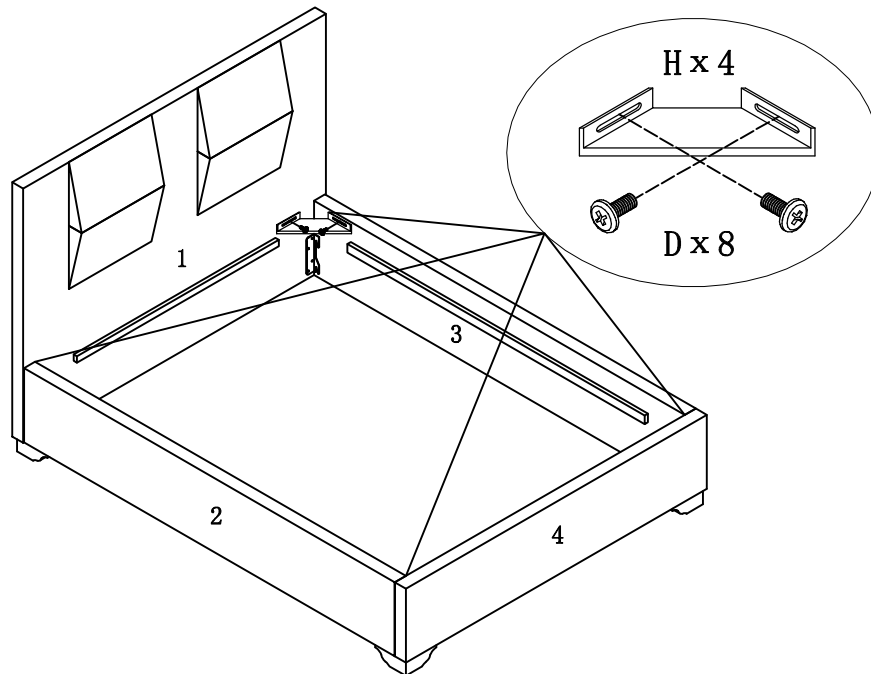
ITEM#: 9001Q

STEP 7



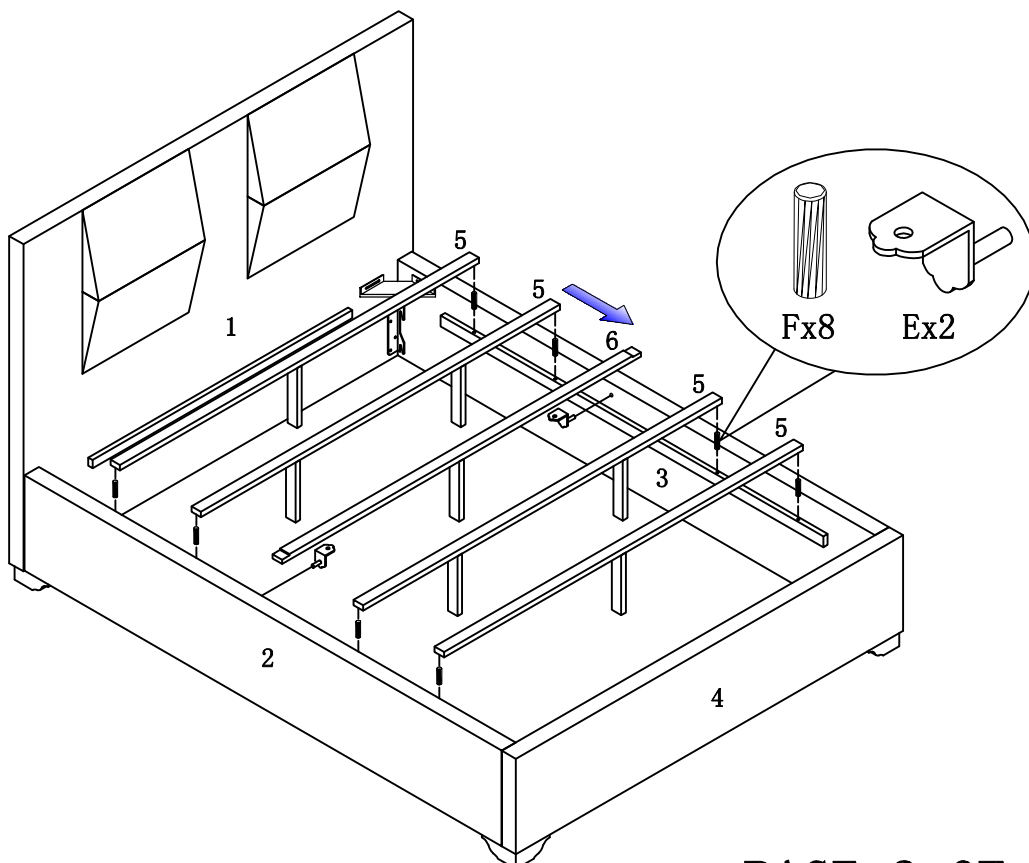
# ASSEMBLY INSTRUCTION

ITEM#: 9001Q



STEP8

STEP9

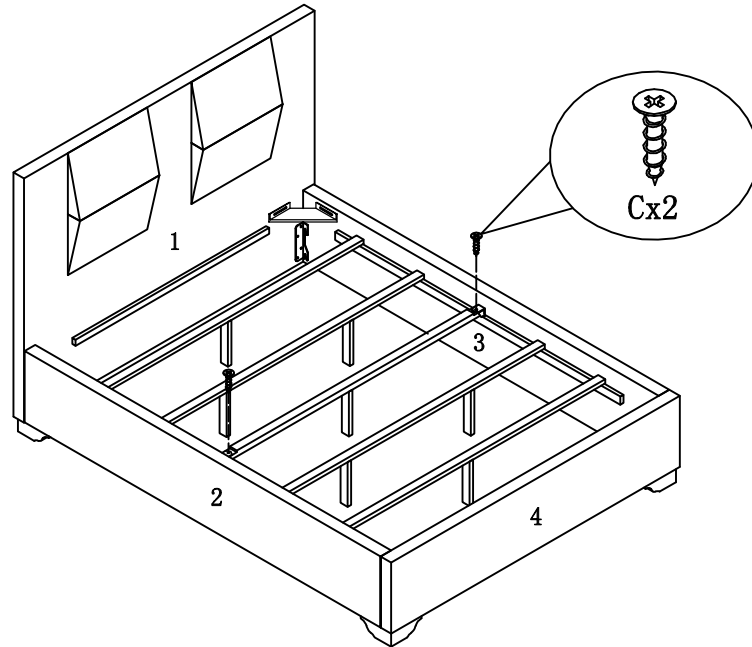


PAGE 8 OF 9



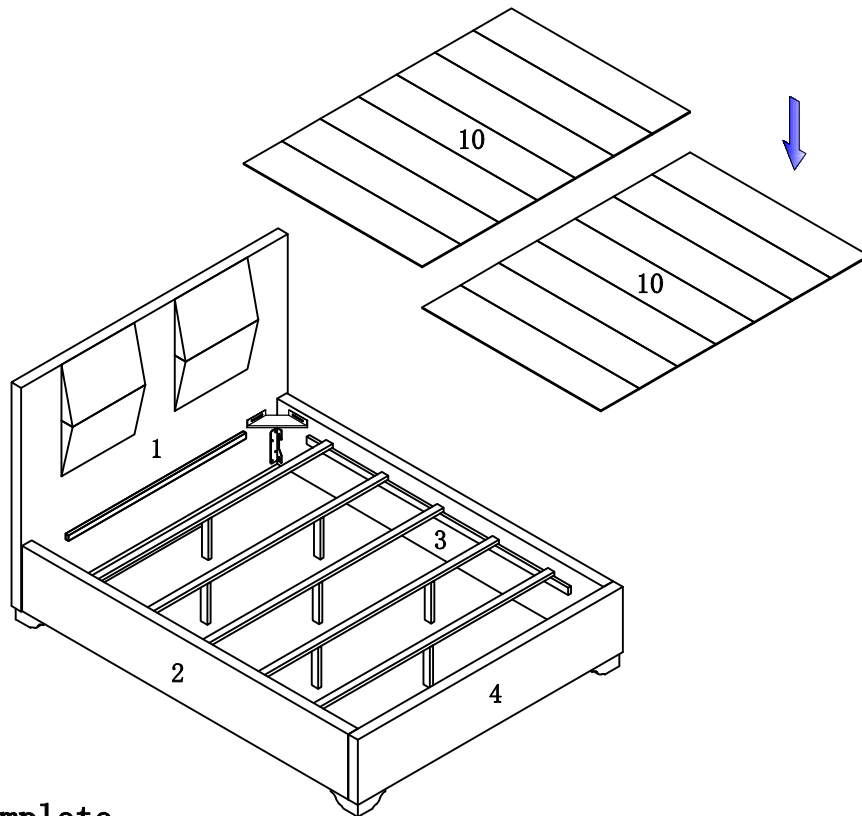
# ASSEMBLY INSTRUCTION

ITEM#: 9001Q



STEP10

STEP11



**Assembly is complete.**

Treat surfaces with care. wipe clean with a dry or damp soft cloth. Do not use abrasive cleaners.

PAGE 9 OF 9