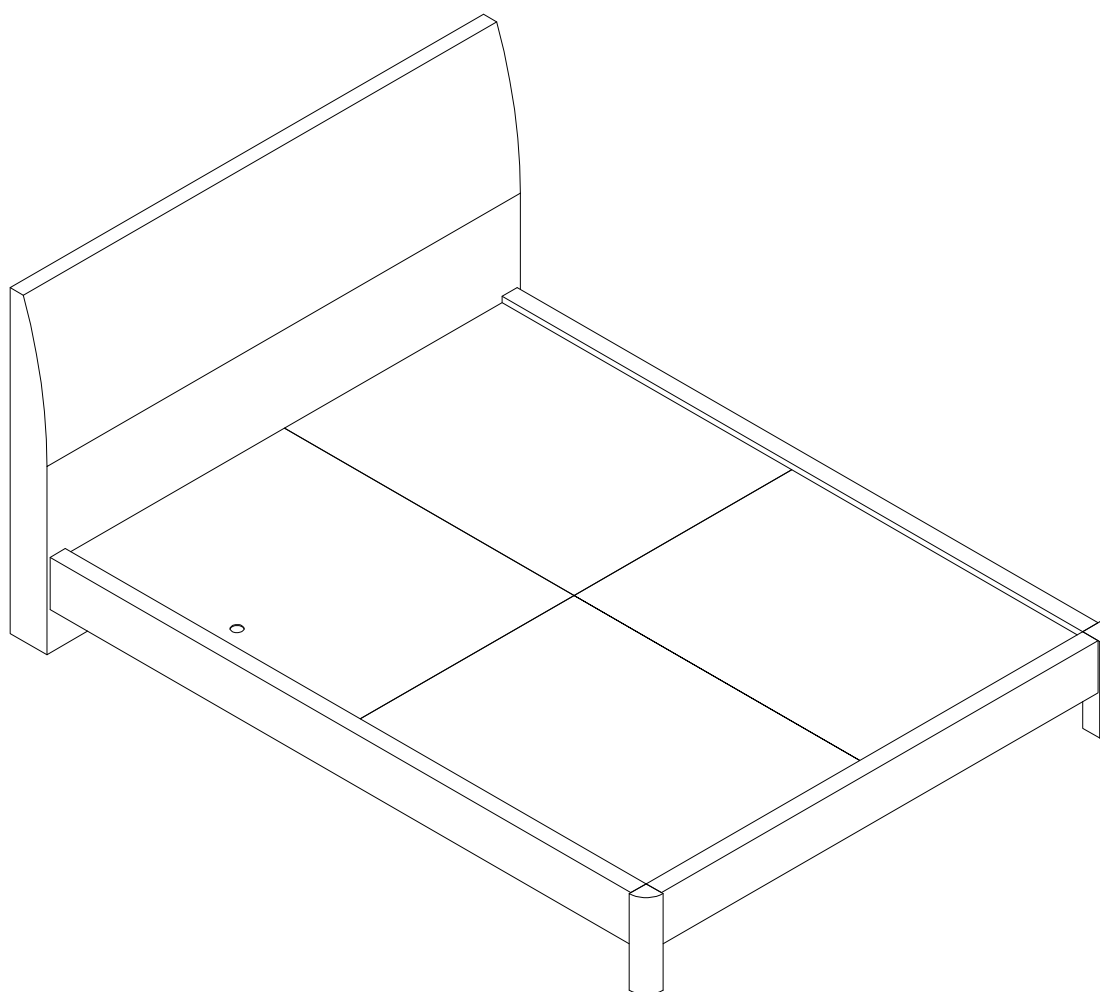


# ASSEMBLY INSTRUCTION

---

ITEM#: B9002Q



# ASSEMBLY INSTRUCTION

---

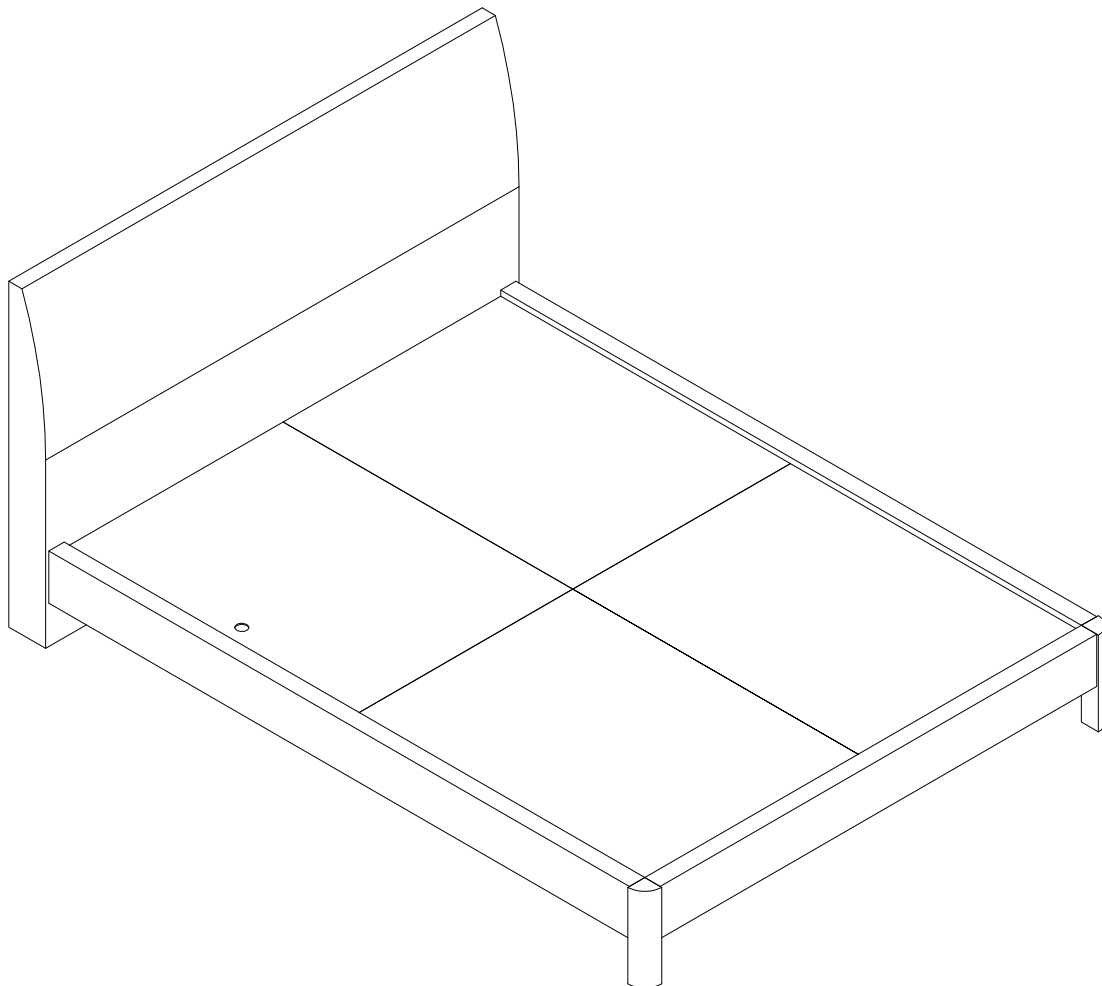
## PLEASE READ BEFORE ASSEMBLING!

Tip #1: Make sure you've taken all the pieces and hardware out of its packaging before discarding the box. Assembly on top of flattened box/blanket is recommended.

Tip #2: Using page 2 and/or page 3 of instruction manual make sure all pieces and hardware are accounted for.

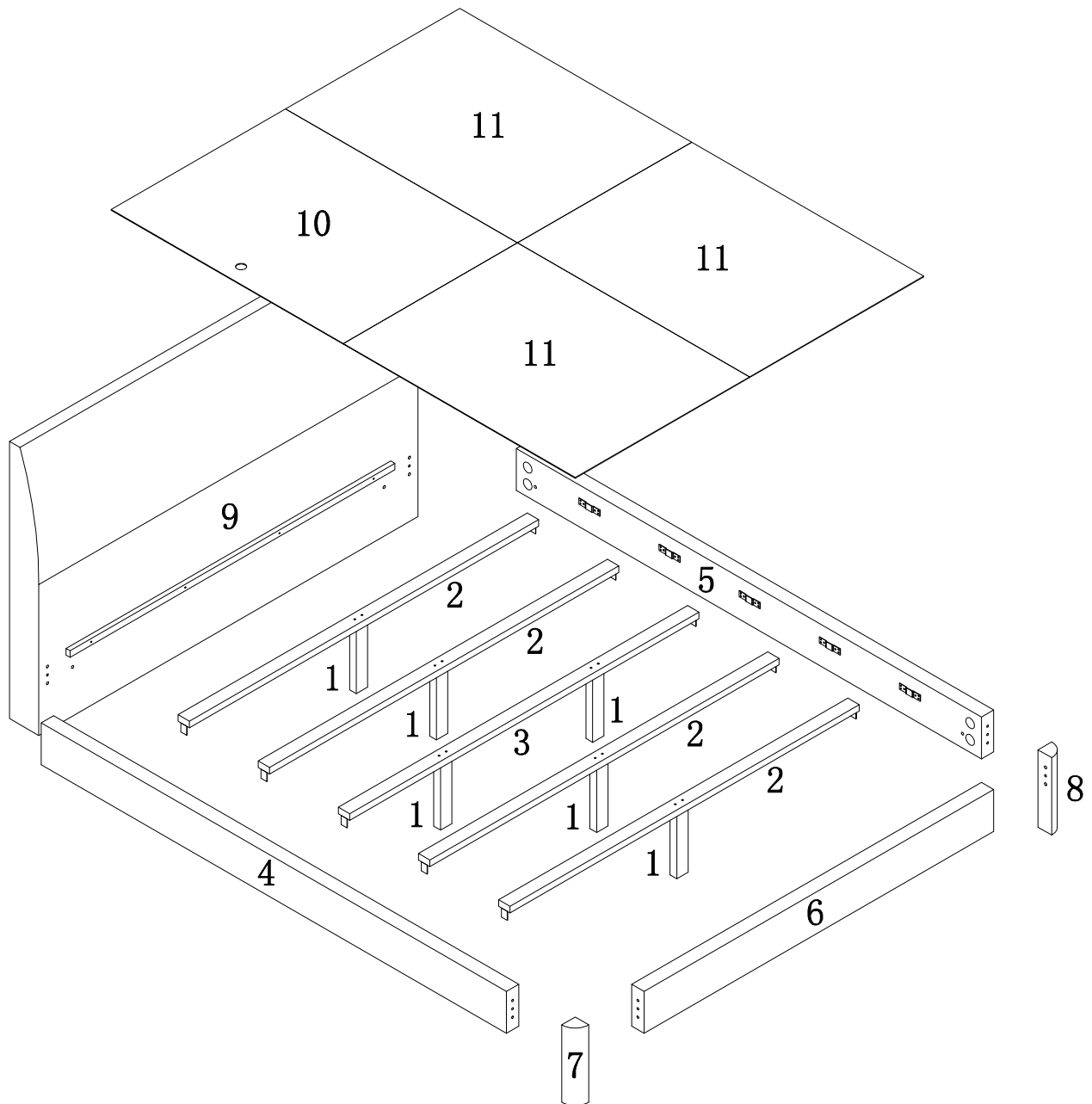
Tip #3: Note position of all holes on each panel during assembly.

ITEM#: B9002Q



# PARTS IDENTIFICATION

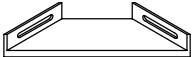

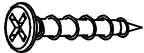


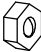

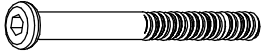




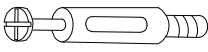

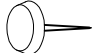
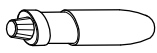
ITEM#: B9002Q



(1)	6pcs	(7)	1pc
(2)	4pcs	(8)	1pc
(3)	1pc	(9)	1pc
(4)	1pc	(10)	1pc
(5)	1pc	(11)	3pcs
(6)	1pc		

# HARDWARE IDENTIFICATION

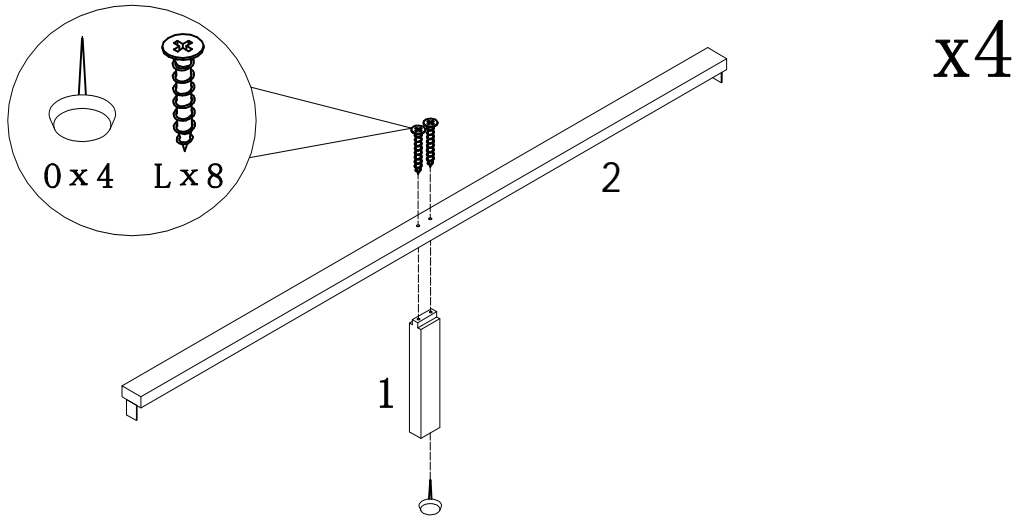
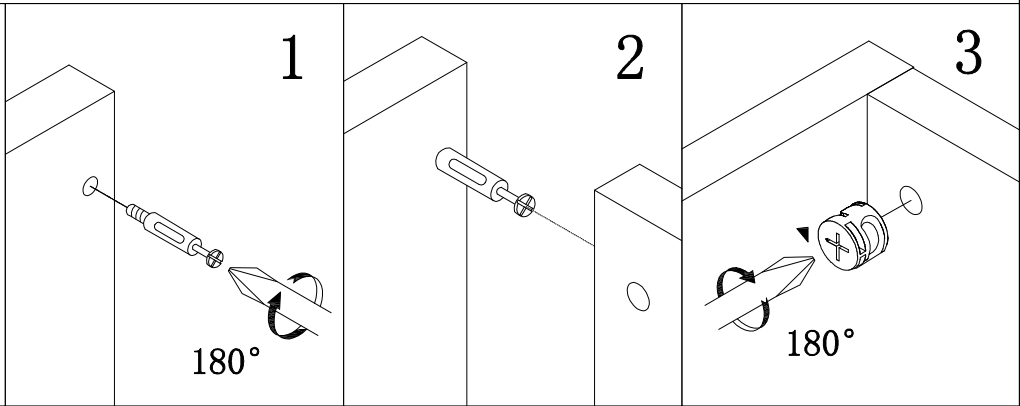
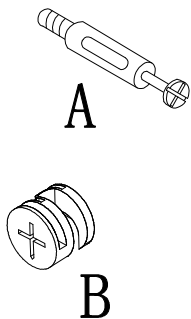
ITEM#: B9002Q

A		105#	4pcs
B		ø6x12	8pcs
C		ø4x20	8pcs
D		ø8x70	4pcs
E		ø35	8pcs
F		ø8	8pcs
G		ø8xø16x2	12pcs
H		ø8x85	4pcs
I		ø8x25	6pcs
J		M13	1pc
K		M5	1pc
L		ø4 x 40	12pcs
M		L29	4pcs
N		ø15	4pcs
O		ø16	12pcs
P		Glue: For securing please apply to wood dowel first before inserting into panel	1pc

# ASSEMBLY INSTRUCTION

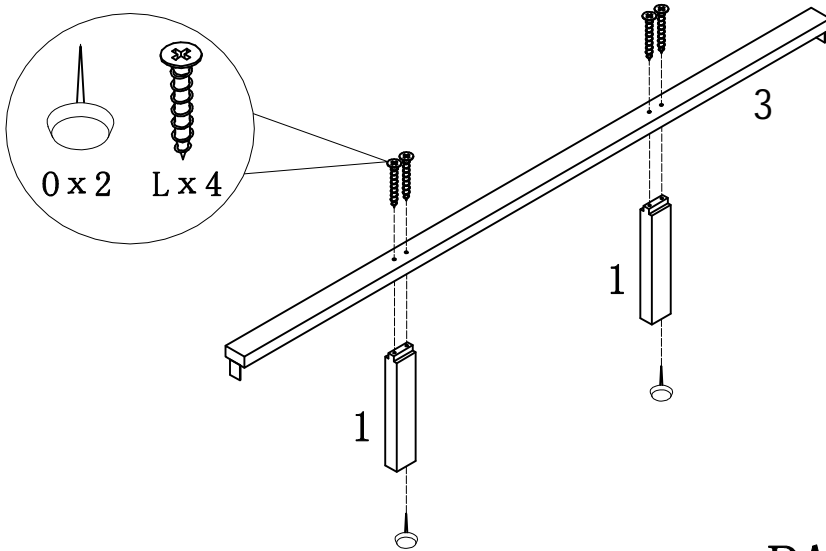
ITEM#: B9002Q

HOW TO



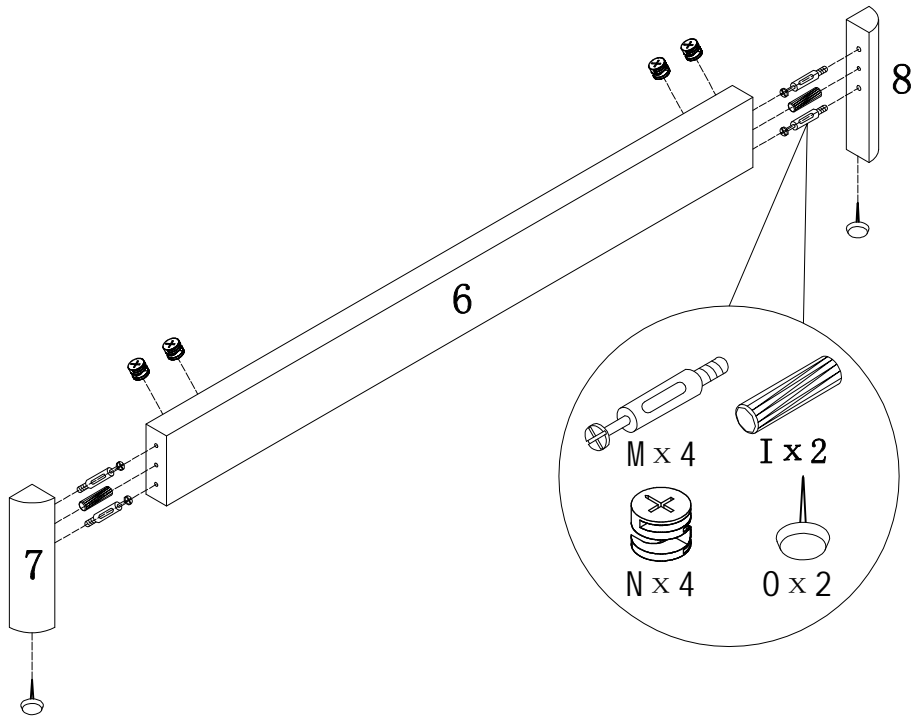
STEP1

STEP2



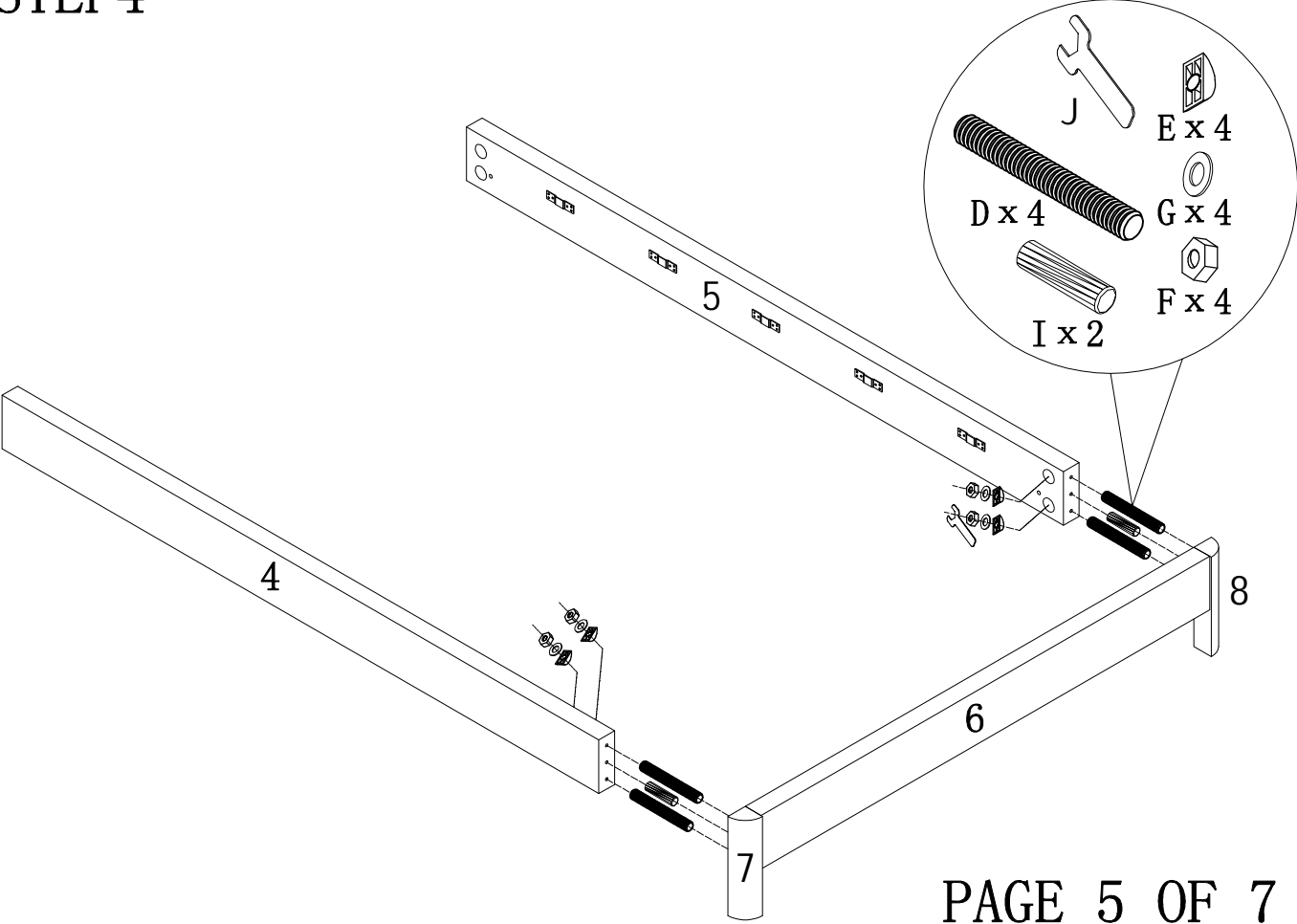
# ASSEMBLY INSTRUCTION

ITEM#: B9002Q



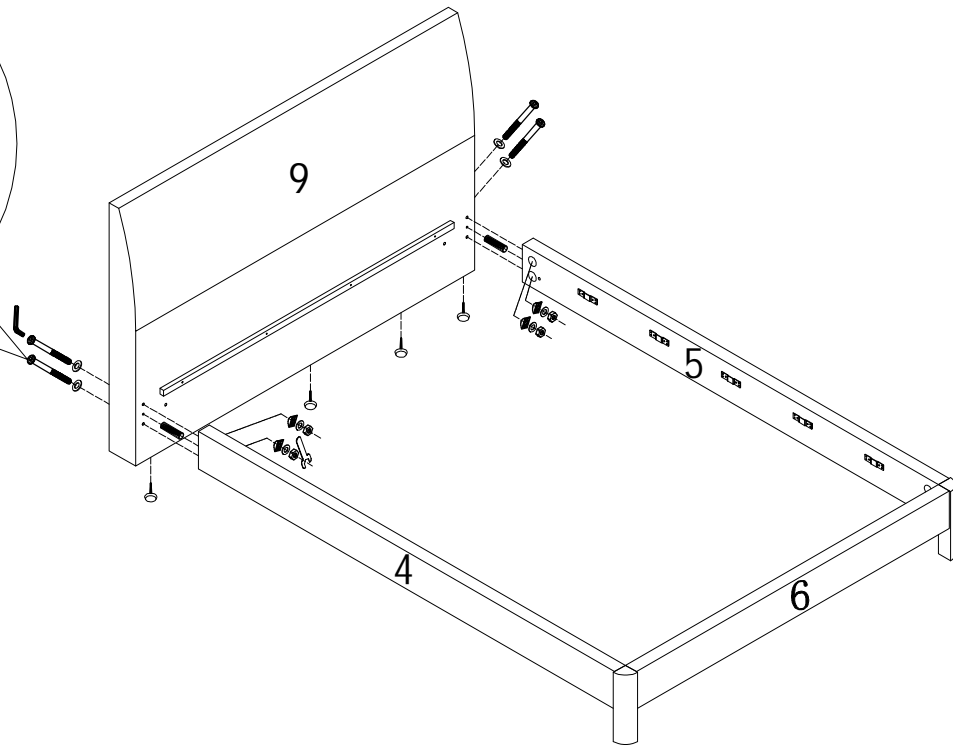
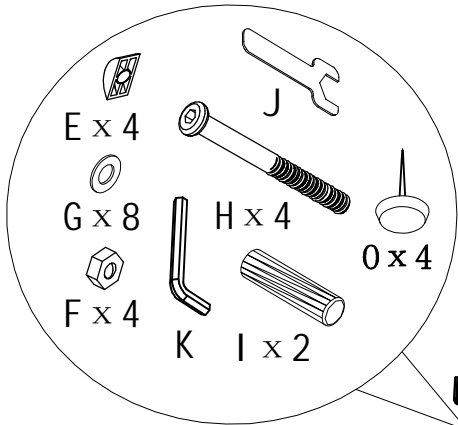
STEP 3

STEP 4



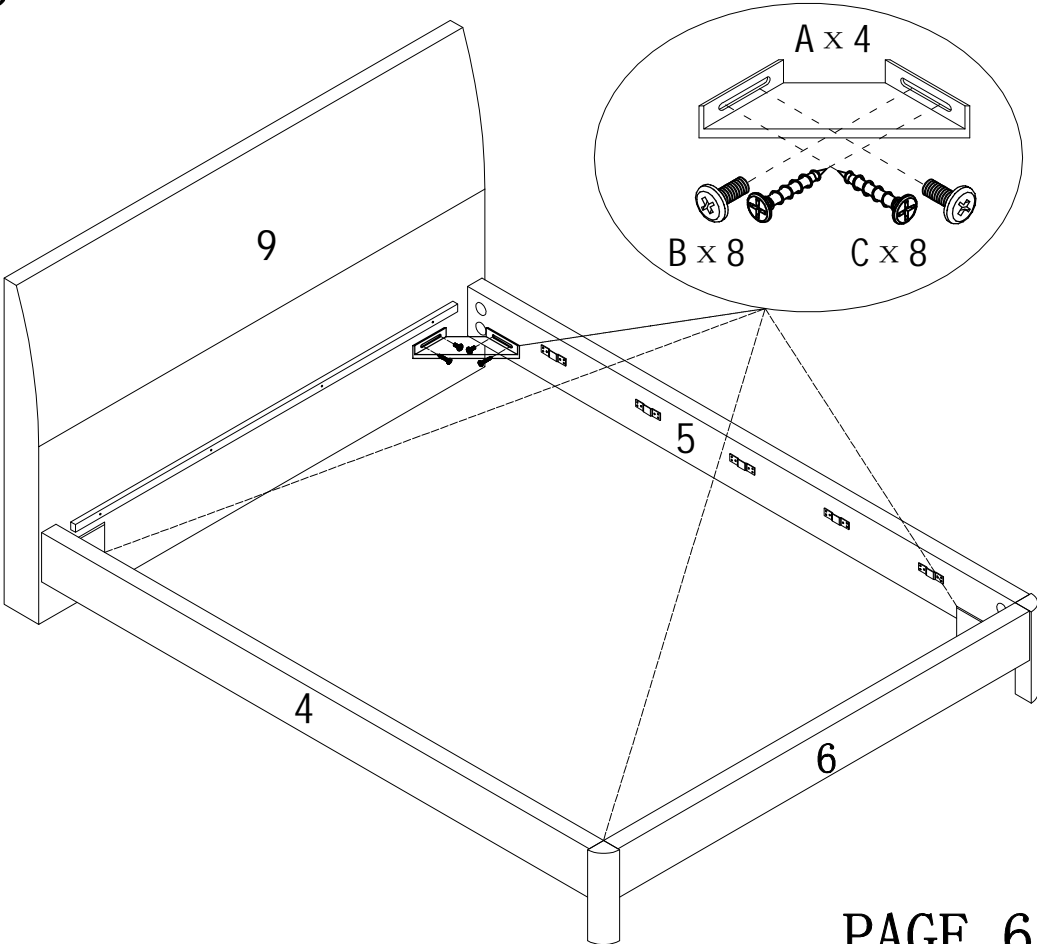
# ASSEMBLY INSTRUCTION

ITEM#: B9002Q



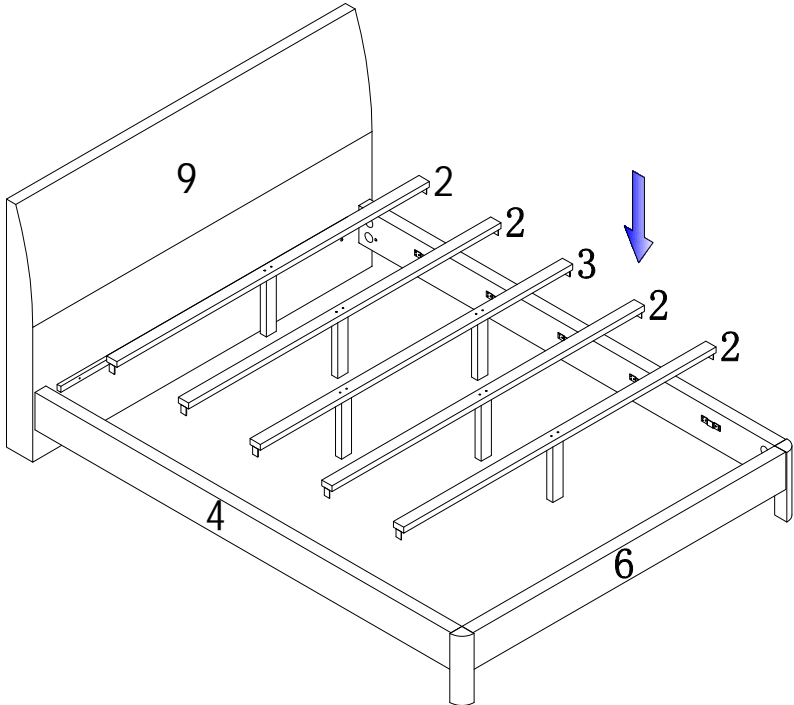
STEP 5

STEP 6



# ASSEMBLY INSTRUCTION

ITEM#: B9002Q



STEP 7

STEP 8

