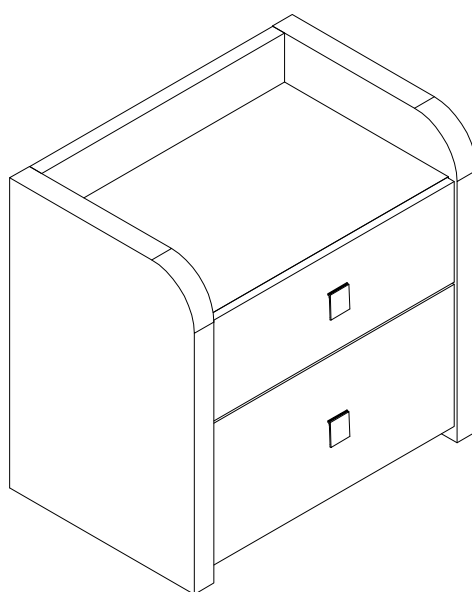


# ASSEMBLY INSTRUCTION

---

ITEM#: B9003



# ASSEMBLY INSTRUCTION

---

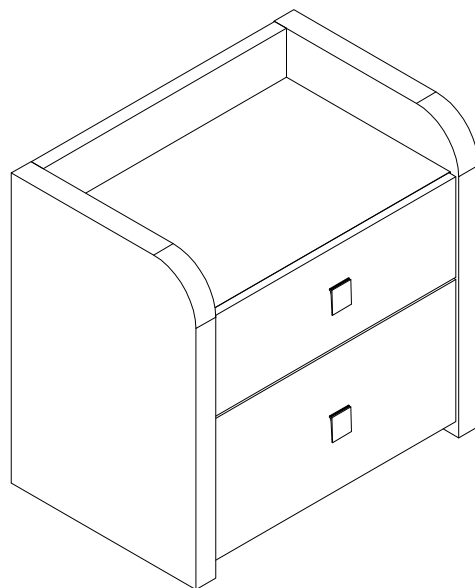
## **PLEASE READ BEFORE ASSEMBLING!**

Tip #1: Make sure you've taken all the pieces and hardware out of its packaging before discarding the box. Assembly on top of flattened box/blanket is recommended.

Tip #2: Using page 2 and/or page 3 of instruction manual make sure all pieces and hardware are accounted for.

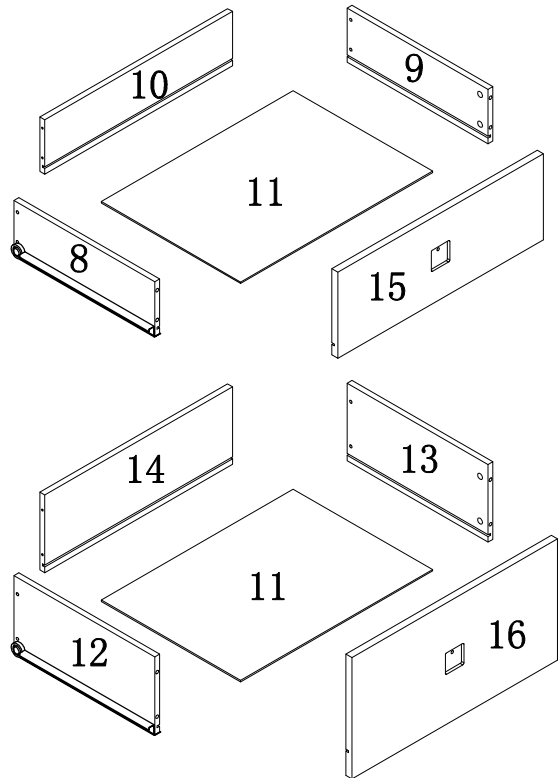
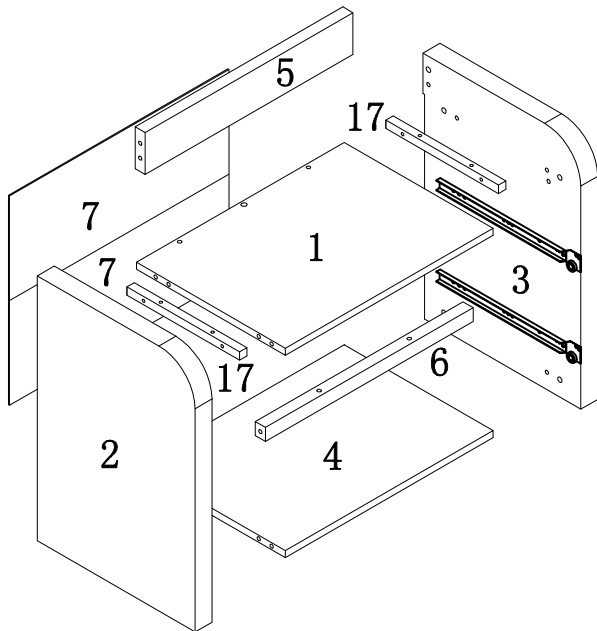
Tip #3: Note position of all holes on each panel during assembly.

ITEM#: B9003



# PARTS IDENTIFICATION


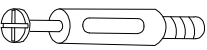



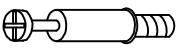

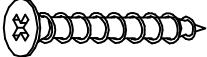




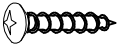
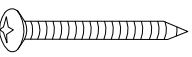
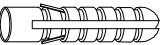
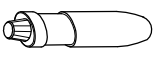
ITEM#: B9003



(1)	1pc	(10)	1pc
(2)	1pc	(11)	2pcs
(3)	1pc	(12)	1pc
(4)	1pc	(13)	1pc
(5)	1pc	(14)	1pc
(6)	1pc	(15)	1pc
(7)	2pcs	(16)	1pc
(8)	1pc	(17)	2pcs
(9)	1pc		

# HARDWARE IDENTIFICATION

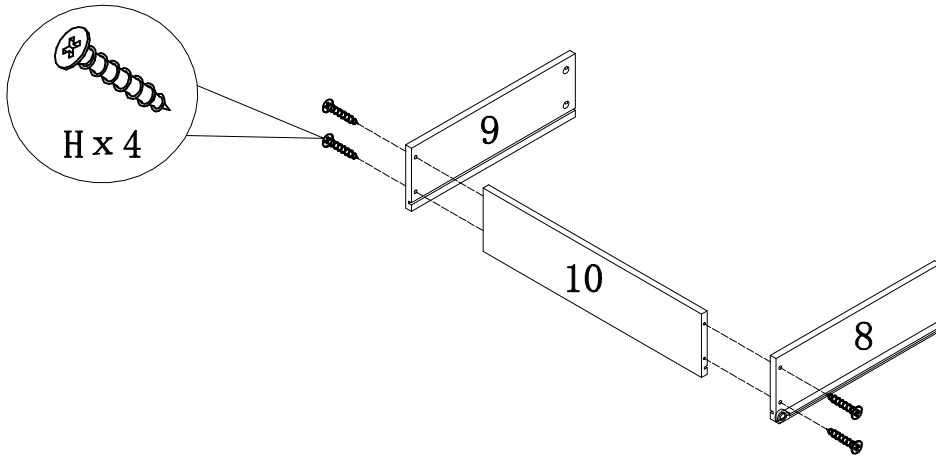
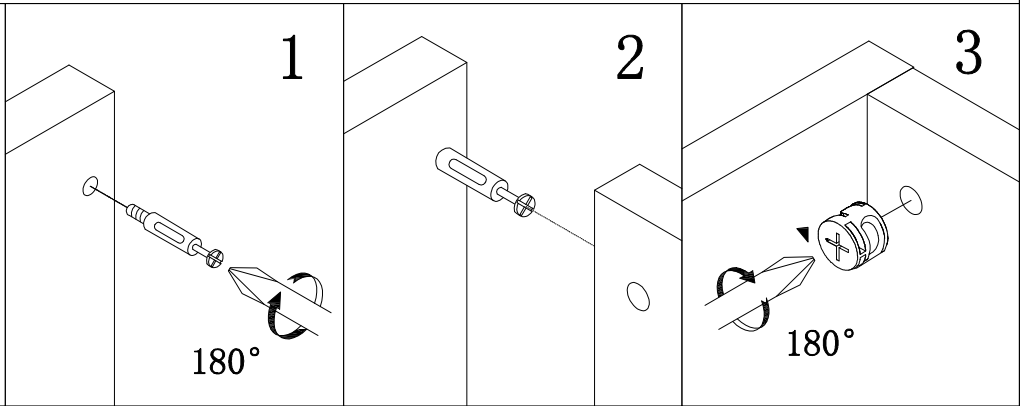
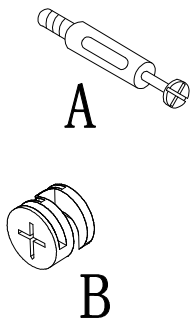
ITEM#: B9003

A		ø8 × 25	16pcs
B		L29	11pcs
C		ø15	11pcs
D			2pcs
E		ø4 × 12	2pcs
F		L20	8pcs
G		ø12	8pcs
H		ø4 x 30	16pcs
I		Z1016	20pcs
J		ø16	4pcs
K		197 × 5 × 1	1pc
L		12 × 12 × 1	2pcs
M		ø4 × 25	1pc
N		ø5 × 40	1pc
O		ø8 × 40	1pc
P		Glue: For securing please apply to wood dowel first before inserting into panel	1pc

# ASSEMBLY INSTRUCTION

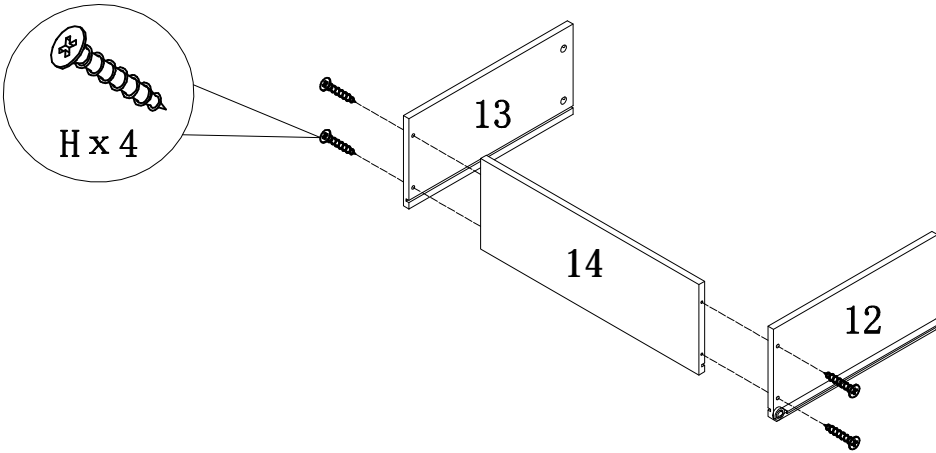
ITEM#: B9003

HOW TO



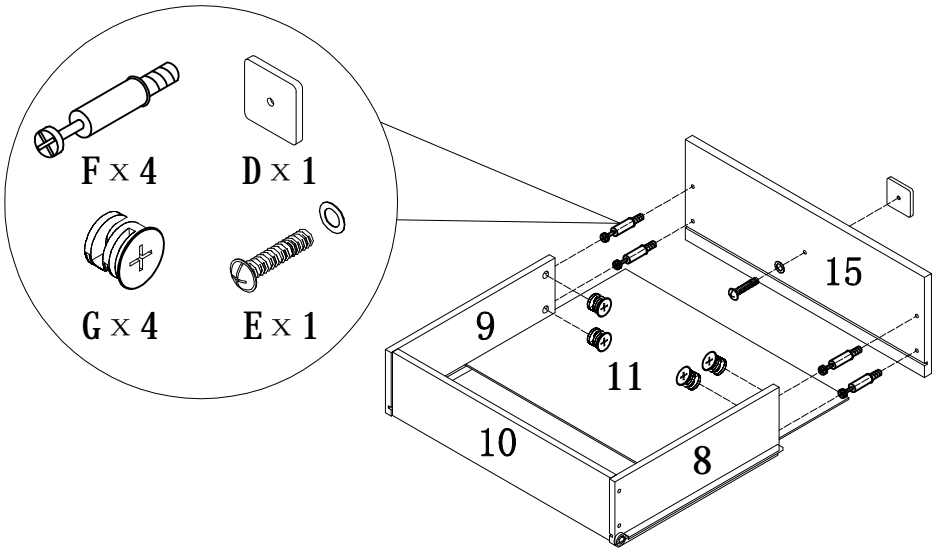
STEP 1

STEP 2



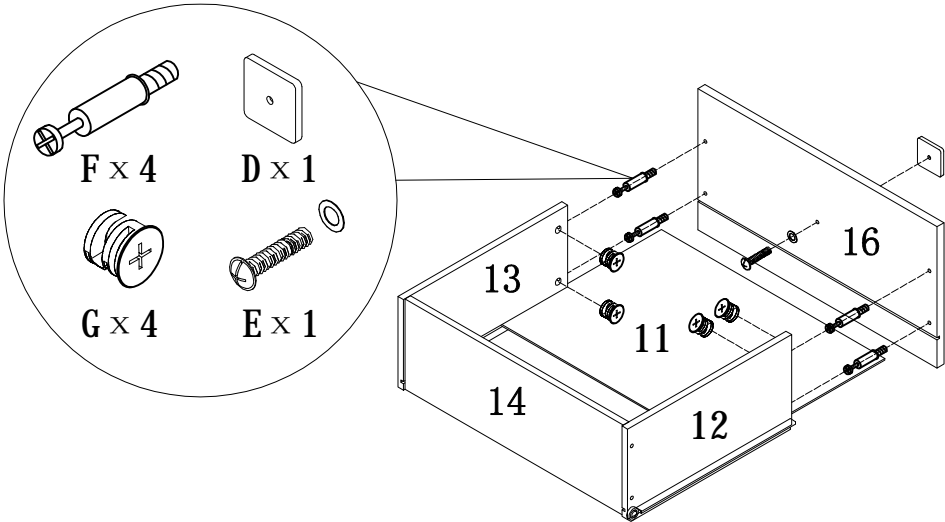
# ASSEMBLY INSTRUCTION

ITEM#: B9003

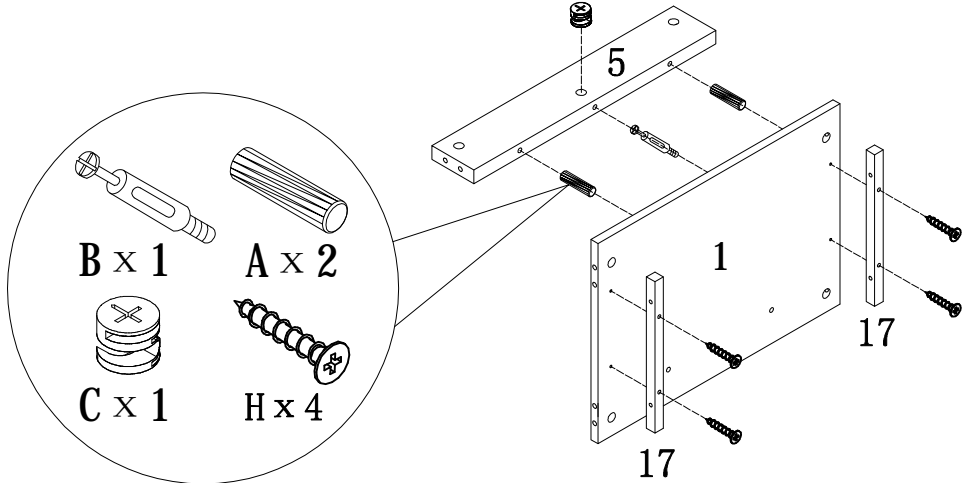


STEP3

STEP4

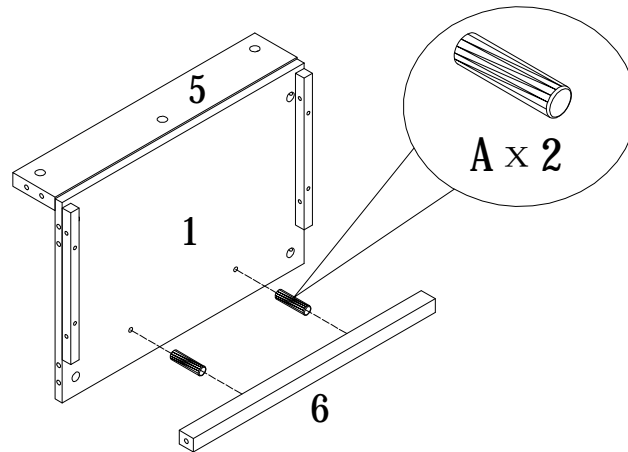


STEP5



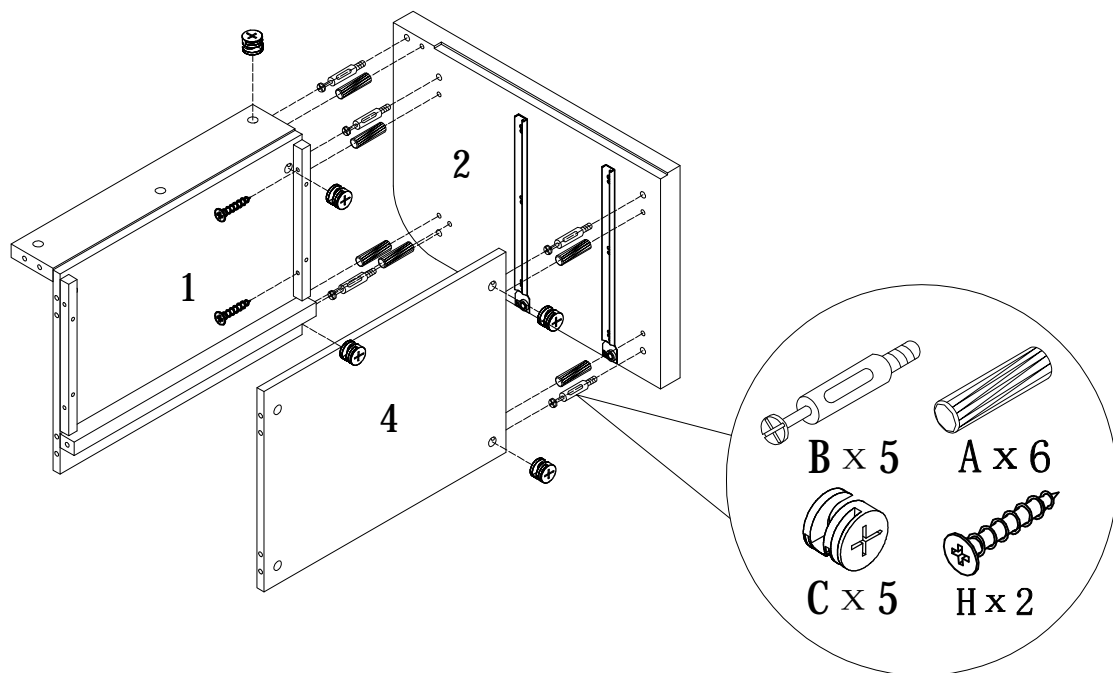
# ASSEMBLY INSTRUCTION

ITEM#: B9003



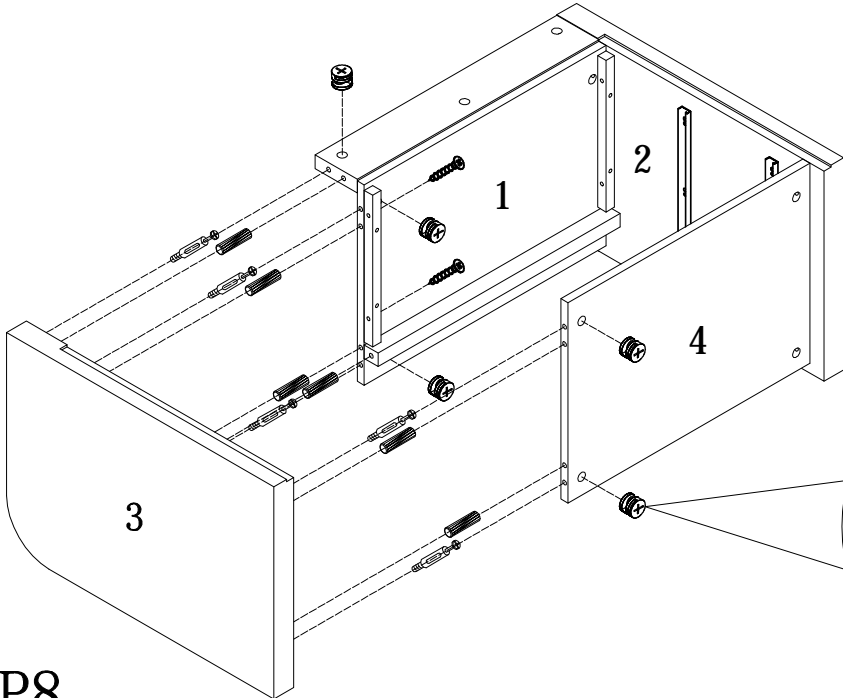
STEP 6

STEP 7



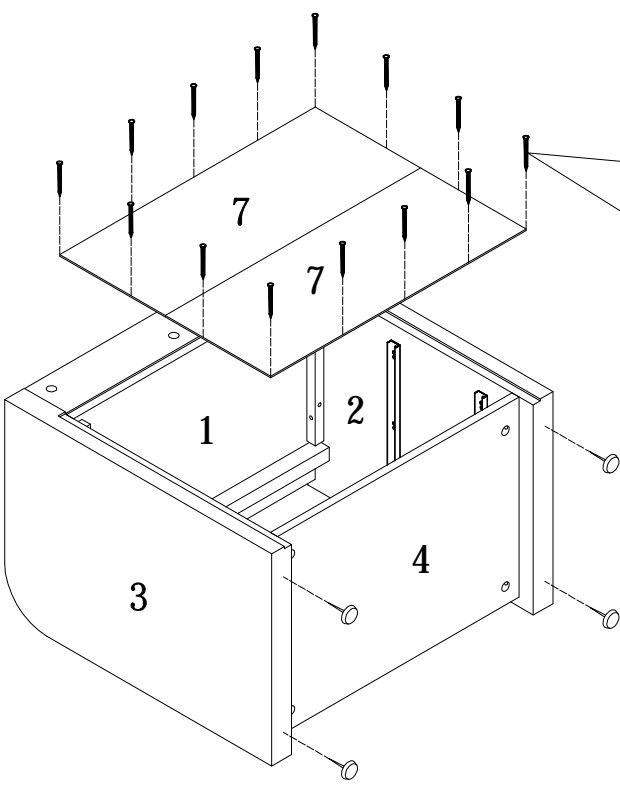
# ASSEMBLY INSTRUCTION

ITEM#: B9003



STEP8

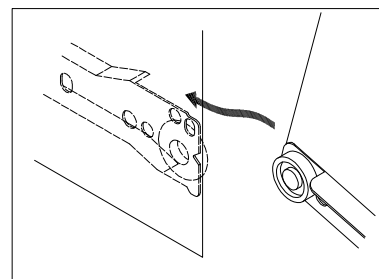
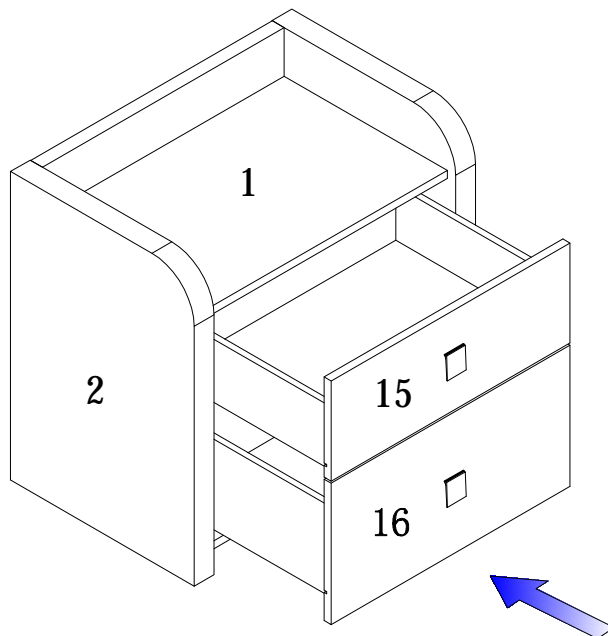
STEP9





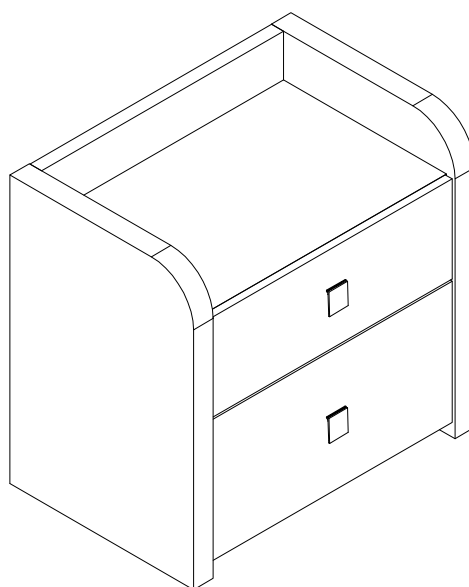
# ASSEMBLY INSTRUCTION

ITEM#: B9003



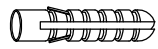
STEP10

STEP11

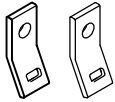


# ANTI-TIPPING STRAP INSTRUCTION

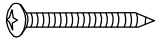
## HARDWARE (INCLUDED) :



DRYWALL ANCHOR  $\phi 8 \times 40$  X 1PC



METAL BRACKETS  $12 \times 12 \times 1$  X 2PCS



DRYWALL SCREW  $\phi 5 \times 40$  X 1PC

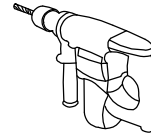


STRAP  $197 \times 5 \times 1$  X 1PC



FLATHEAD SCREW  $\phi 4 \times 25$  X 1PC

## TOOLS NEEDED ( NOT INCLUDED) :



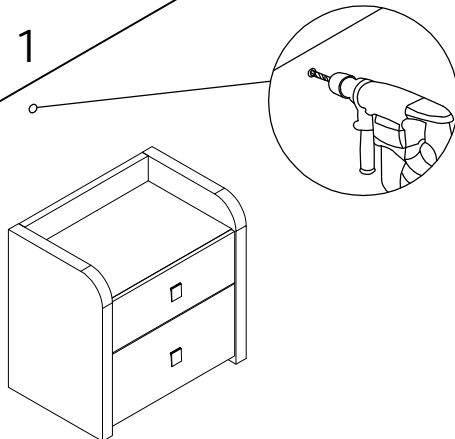
DRILL & DRILL BIT



LIGHT HAMMER

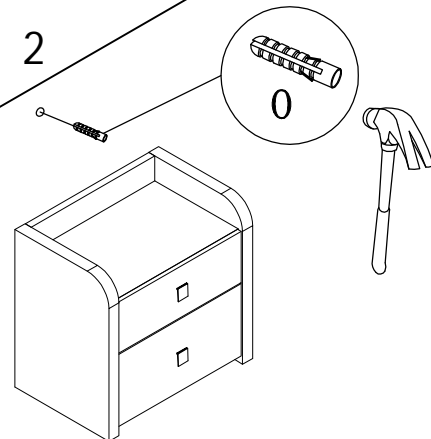
Note: Hardware included only compatible with standard drywalls.

### STEP 1



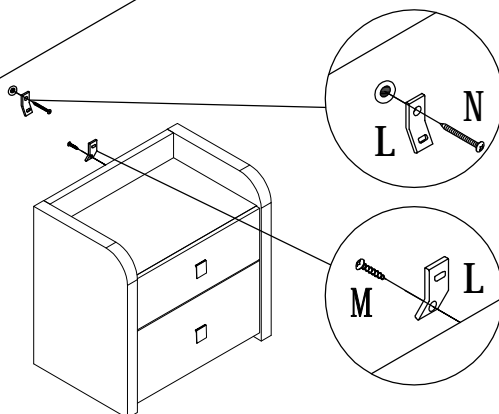
1. Find spot on wall 1" below top of item.
2. Using a drill bit slightly thinner than anchor, drill hole into drywall.

### STEP 2



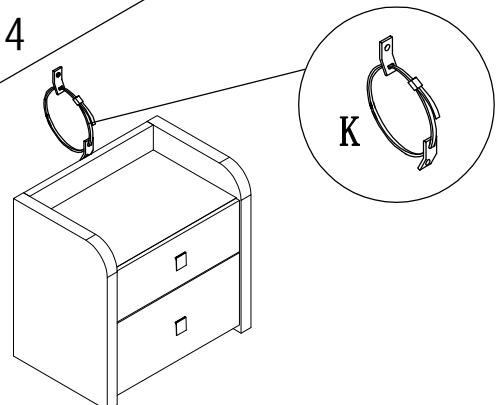
1. Use a light hammer to tap anchor into hole.
2. Anchor should fit snugly. If hole is too small, drill again to increase hole size. Do not force anchor into wall.

### STEP 3



1. Insert drywall screw into metal bracket and into drywall anchor.
2. Insert flathead screw into second metal bracket and into back of item, along top edge.

### STEP 4



1. Insert strap thru bracket attached to wall, then thru bracket on item, and into head of strap.
  2. pull lightly til strap stops.
- Assembly is complete.**