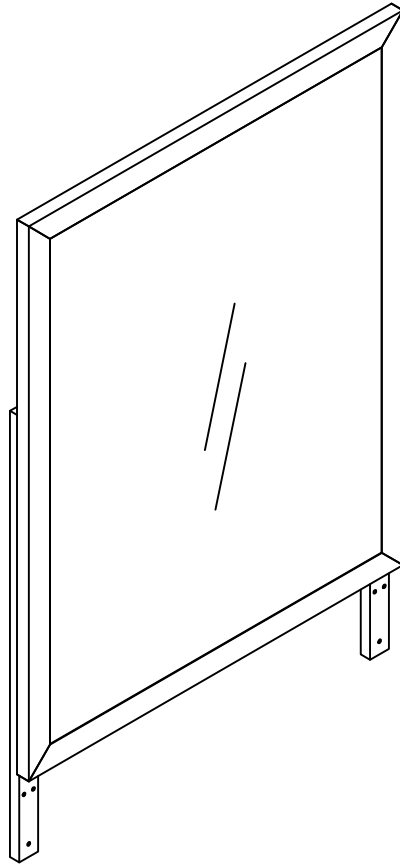


ASSEMBLY INSTRUCTION

ITEM#:B9011



ASSEMBLY INSTRUCTION

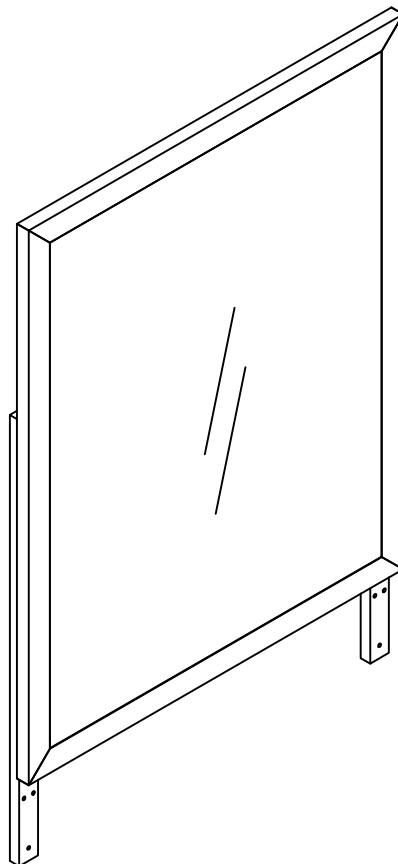
PLEASE READ BEFORE ASSEMBLING!

Tip #1: Make sure you've taken all the pieces and hardware out of its packaging before discarding the box. Assembly on top of flattened box/blanket is recommended.

Tip #2: Using page 2 and/or page 3 of instruction manual make sure all pieces and hardware are accounted for.

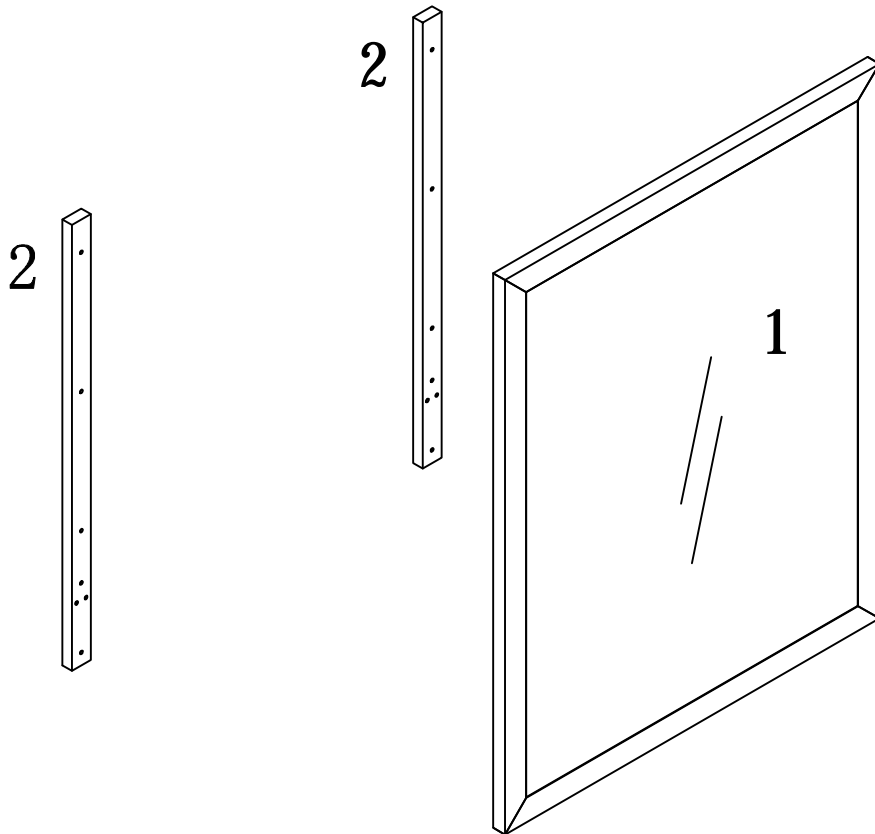
Tip #3: Note position of all holes on each panel during assembly.

ITEM#: B9011



PARTS IDENTIFICATION

ITEM#: B9011

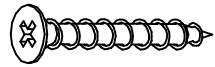


(1) 1pc
(2) 2pcs

HARDWARE IDENTIFICATION

ITEM#: B9011

A



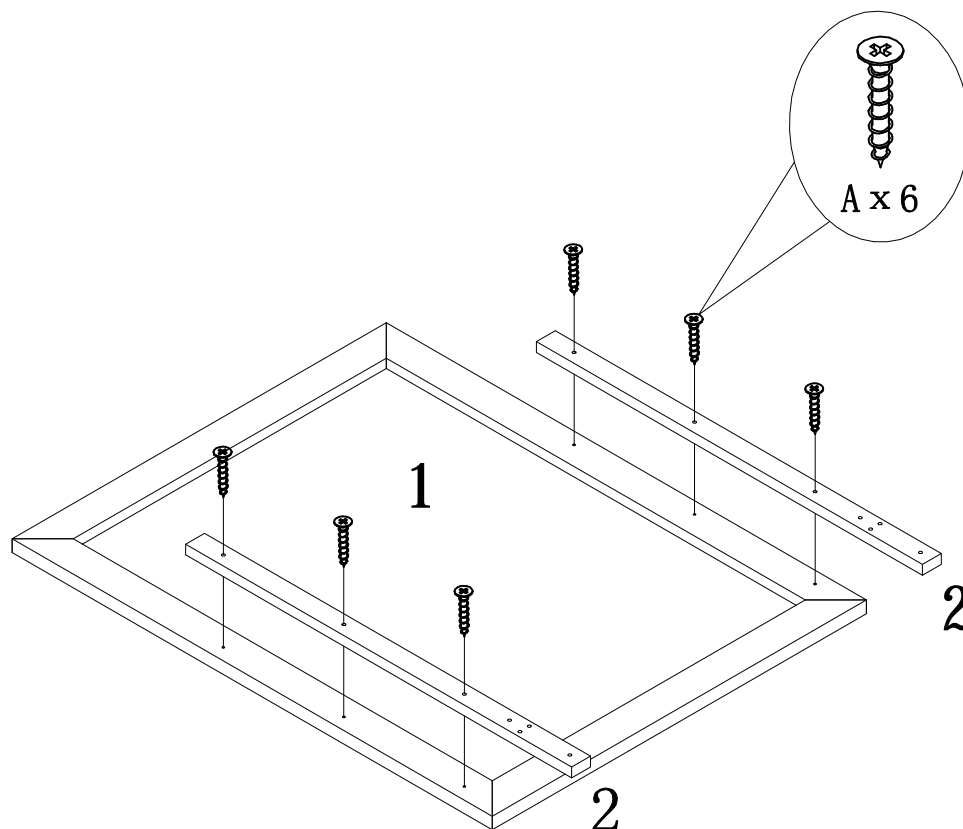
ø4 x 35

14pcs

ASSEMBLY INSTRUCTION

ITEM#: B9011

STEP 1



ASSEMBLY INSTRUCTION

ITEM#: B9011

STEP 2

