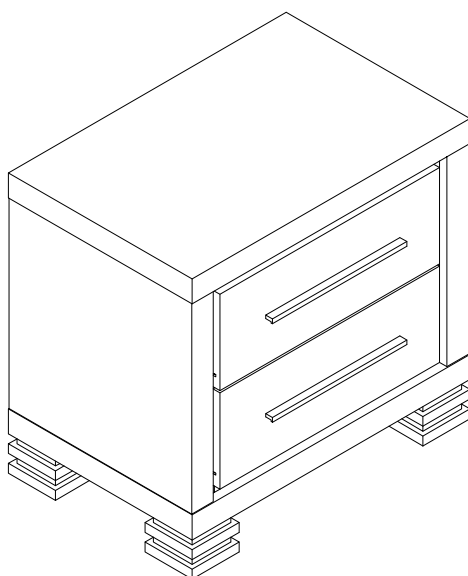


ASSEMBLY INSTRUCTION

ITEM#: B9103



ASSEMBLY INSTRUCTION

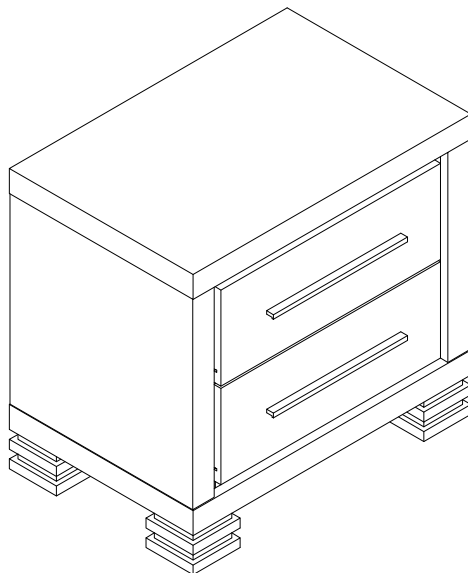
PLEASE READ BEFORE ASSEMBLING!

Tip #1: Make sure you've taken all the pieces and hardware out of its packaging before discarding the box. Assembly on top of flattened box/blanket is recommended.

Tip #2: Using page 2 and/or page 3 of instruction manual make sure all pieces and hardware are accounted for.

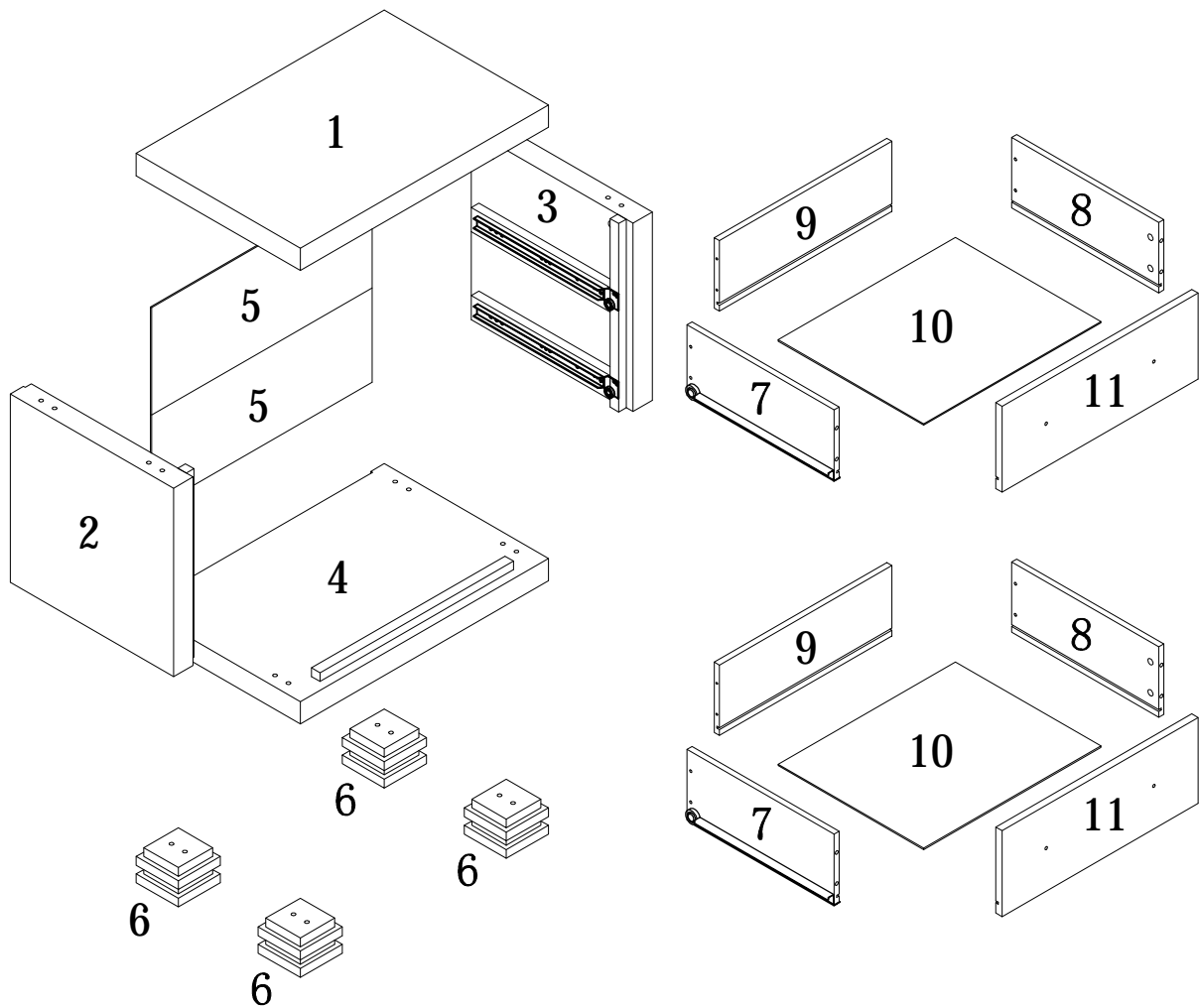
Tip #3: Note position of all holes on each panel during assembly.

ITEM#: B9103



PARTS IDENTIFICATION

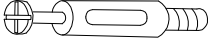

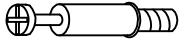



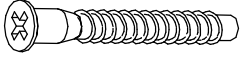


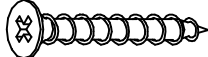

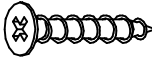
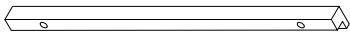



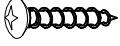

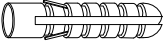

ITEM#: B9103



(1)	1pc	(7)	2pcs
(2)	1pc	(8)	2pcs
(3)	1pc	(9)	2pcs
(4)	1pc	(10)	2pcs
(5)	2pcs	(11)	2pcs
(6)	4pcs		

HARDWARE IDENTIFICATION

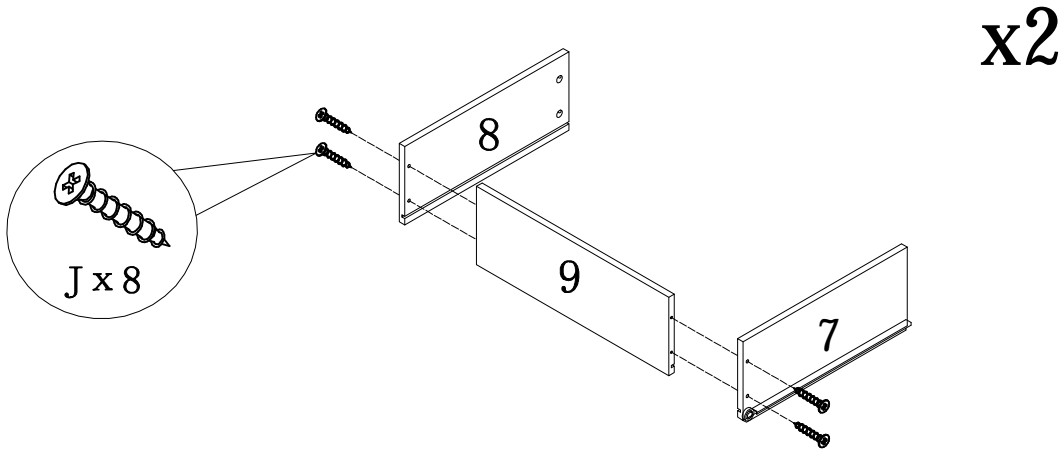
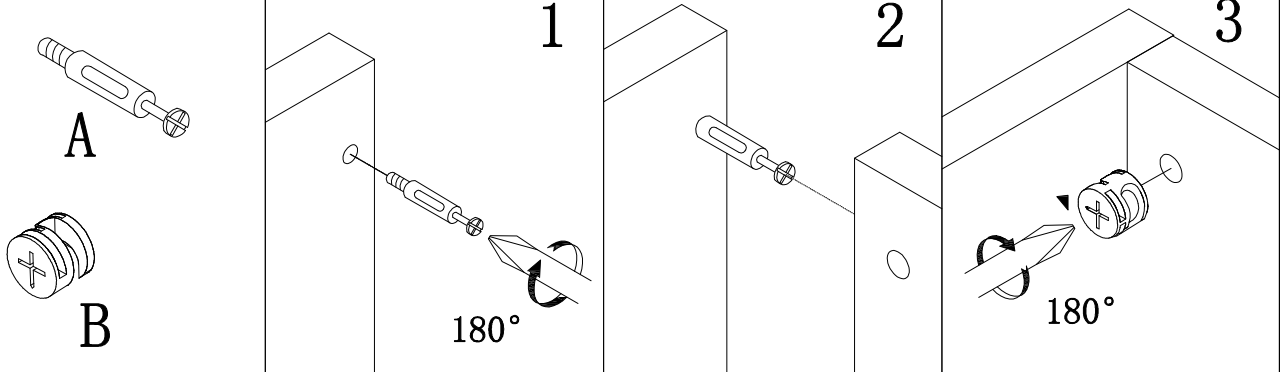
ITEM#: B9103

A		L29	4pcs
B		∅15	4pcs
C		L20	8pcs
D		∅12	8pcs
E		∅8x25	8pcs
F		M8x80	8pcs
G		∅7x58	4pcs
H		∅8x∅16x2	12pcs
I		M5	1pc
J		∅4 x 30	8pcs
K		Z1016	20pcs
L		∅4 x 25	4pcs
M		256#	2pcs
N		∅16	4pcs
O		197×5×1	1pc
P		12×12×1	2pcs
Q		∅4X25	1pc
R		∅5X40	1pc
S		∅8X40	1pc
T		Glue: For securing please apply to wood dowel first before inserting into panel	1pc

ASSEMBLY INSTRUCTION

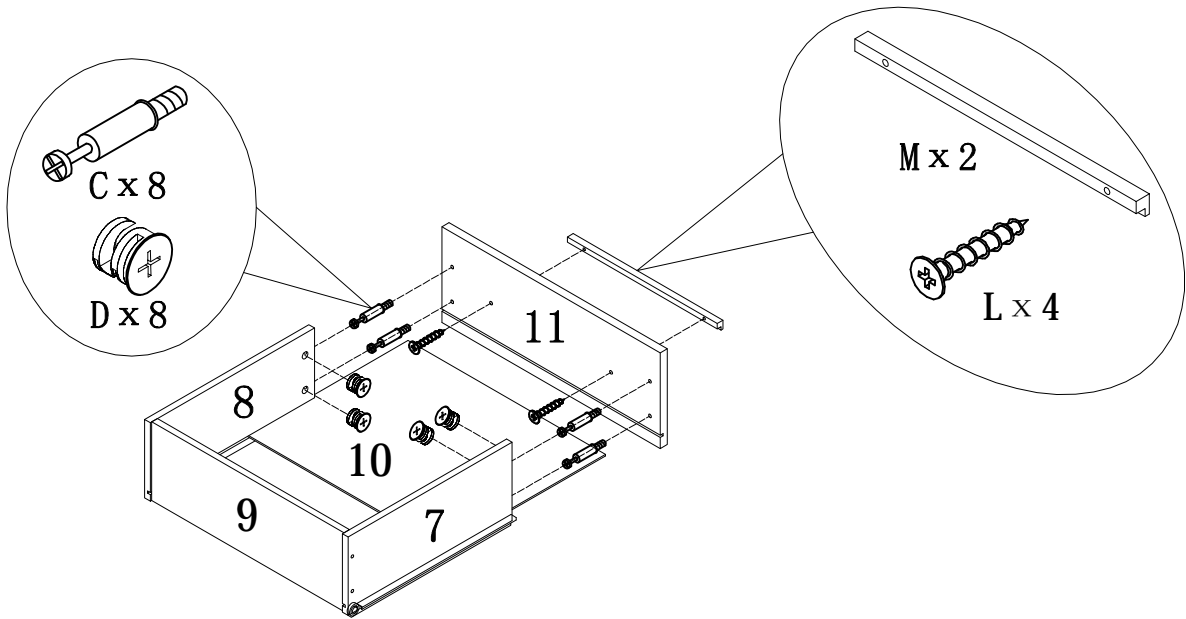
ITEM#: B9103

HOW TO



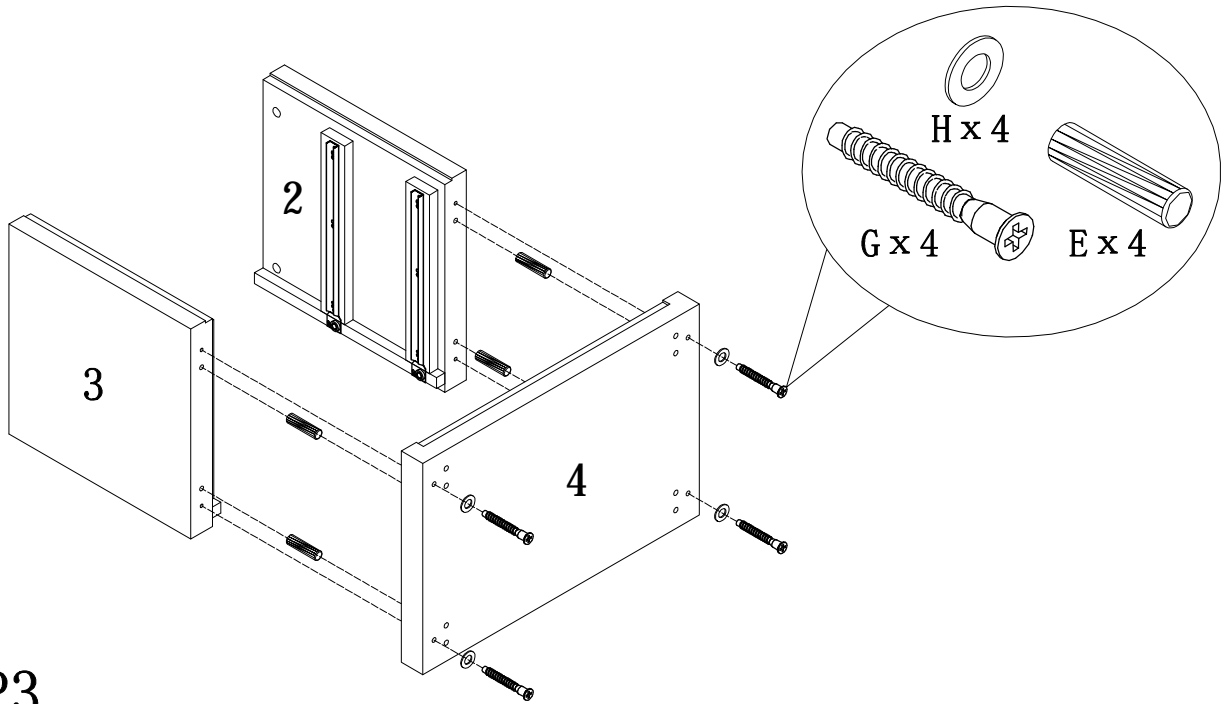
STEP1

STEP2



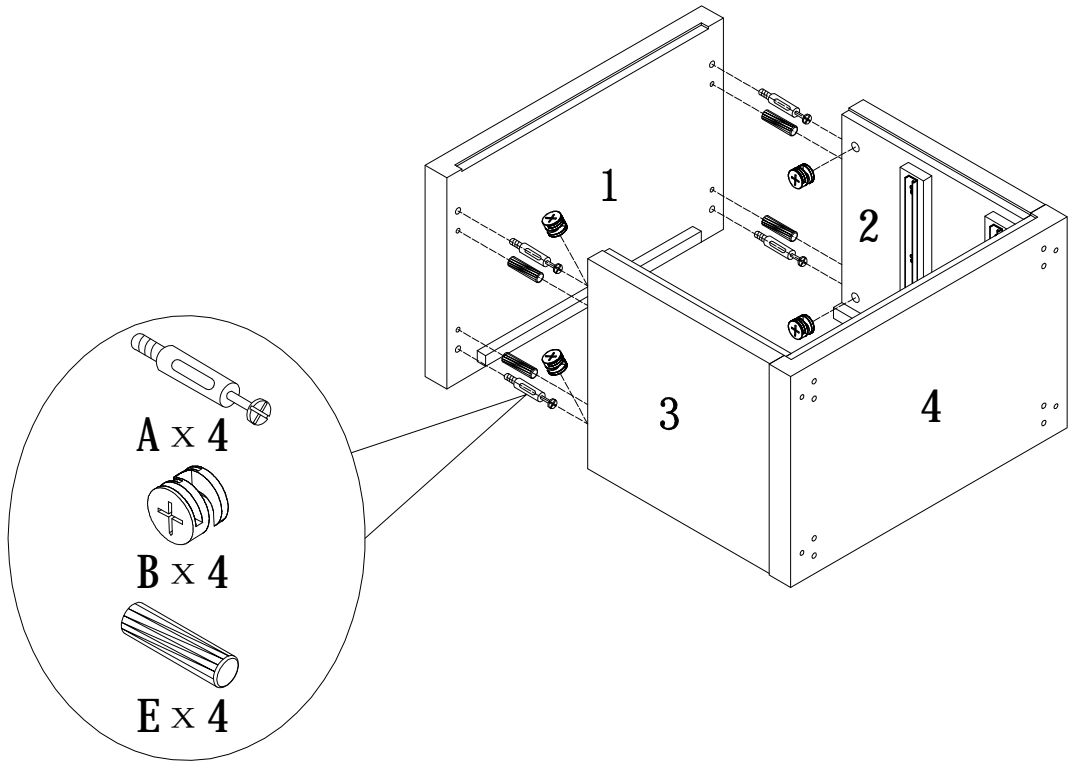
ASSEMBLY INSTRUCTION

ITEM#: B9103



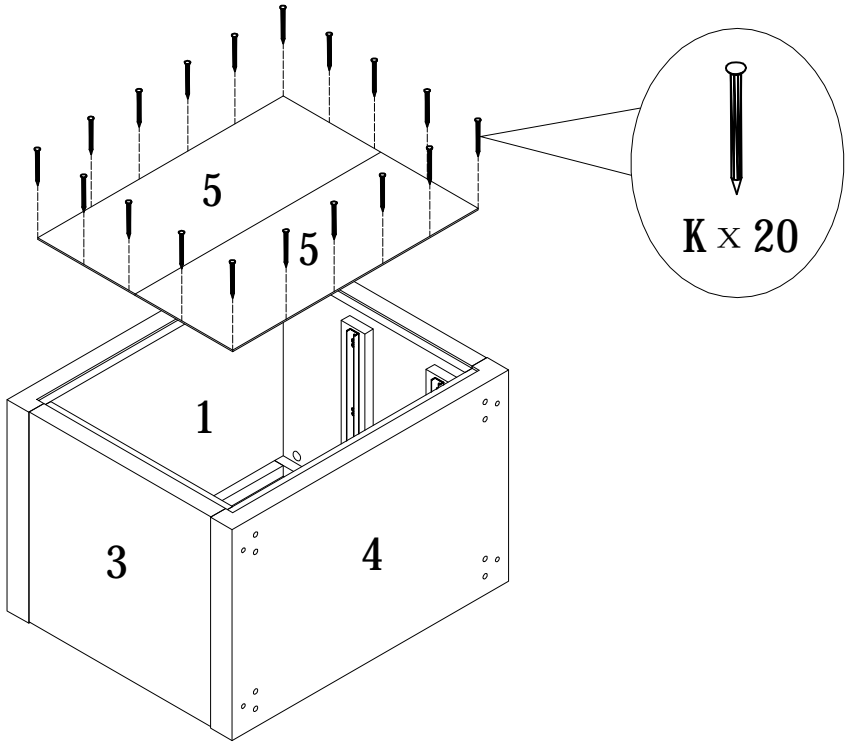
STEP3

STEP4



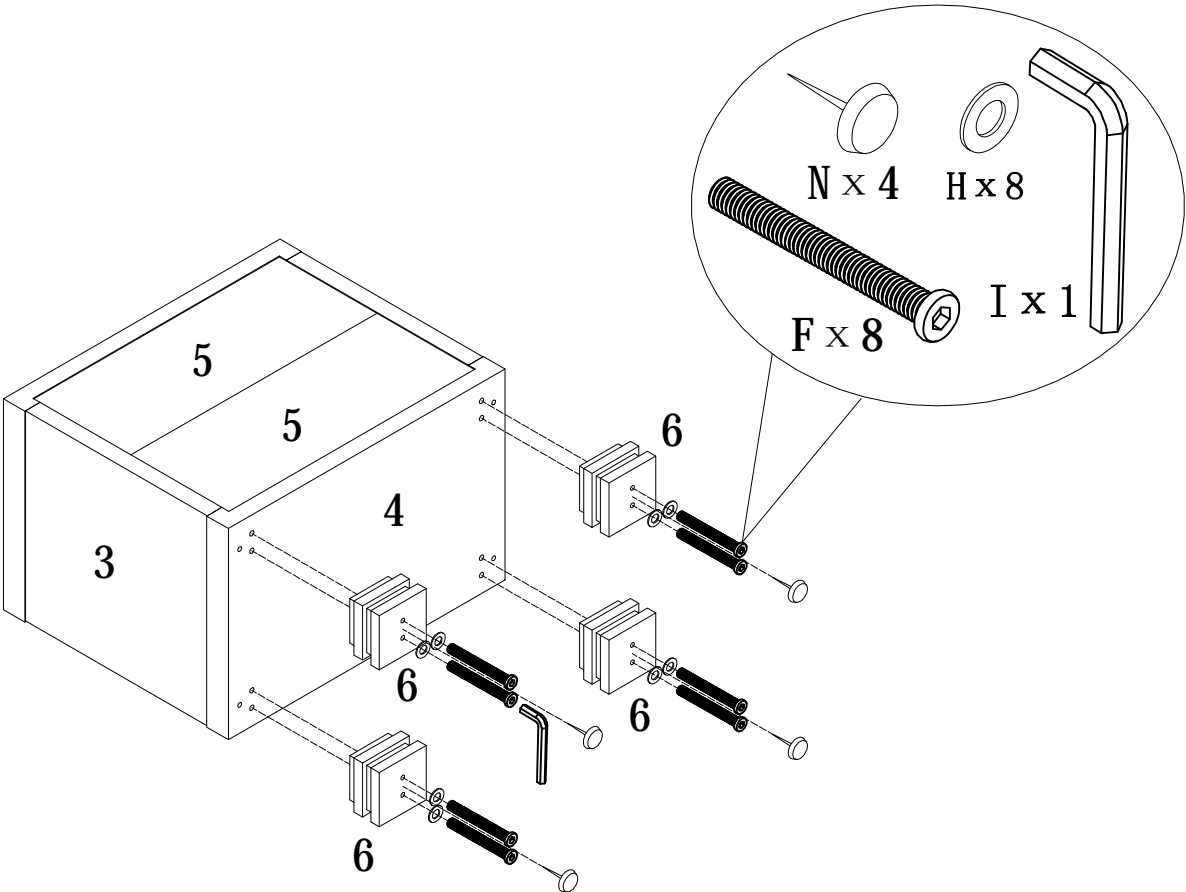
ASSEMBLY INSTRUCTION

ITEM#: B9103



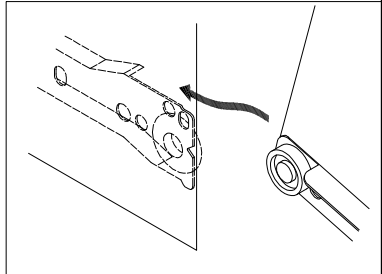
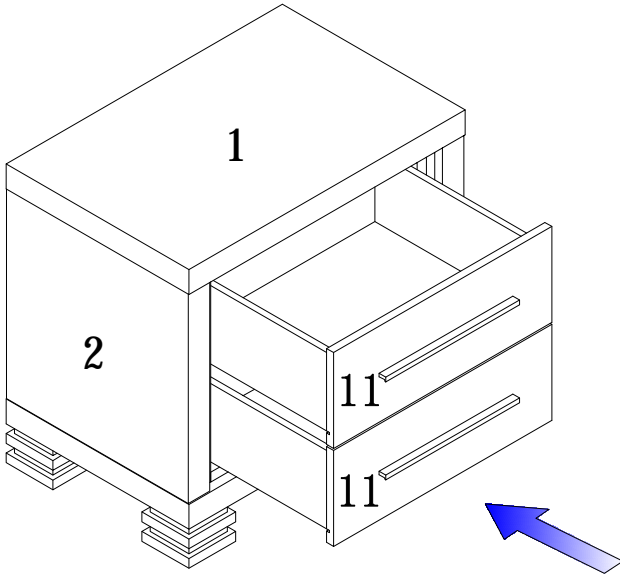
STEP5

STEP6



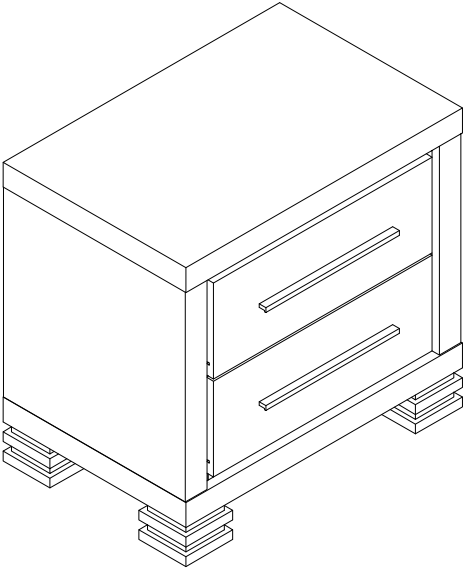
ASSEMBLY INSTRUCTION

ITEM#: B9103



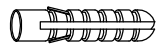
STEP7

STEP8

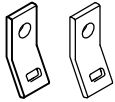


ANTI-TIPPING STRAP INSTRUCTION

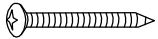
HARDWARE (INCLUDED) :



DRYWALL ANCHOR $\phi 8 \times 40$ X 1PC



METAL BRACKETS $12 \times 12 \times 1$ X 2PCS



DRYWALL SCREW $\phi 5 \times 40$ X 1PC

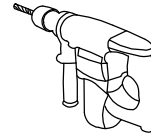


STRAP $197 \times 5 \times 1$ X 1PC



FLATHEAD SCREW $\phi 4 \times 25$ X 1PC

TOOLS NEEDED (NOT INCLUDED) :



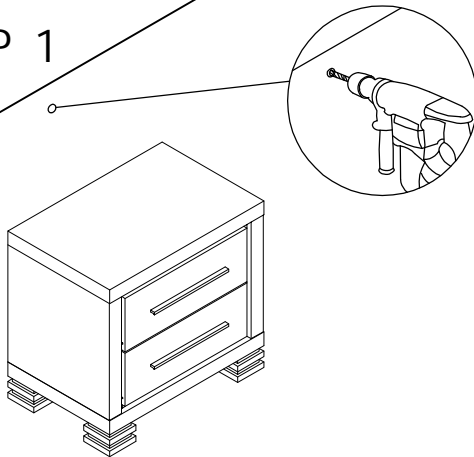
DRILL & DRILL BIT



LIGHT HAMMER

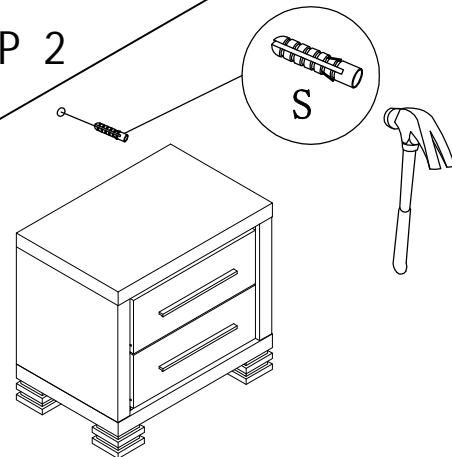
Note: Hardware included only compatible with standard drywalls.

STEP 1



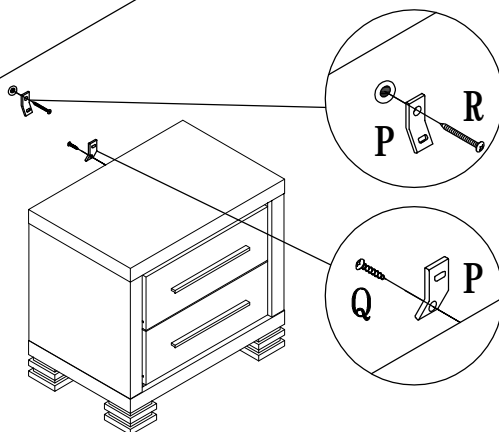
1. Find spot on wall 1" below top of item.
2. Using a drill bit slightly thinner than anchor, drill hole into drywall.

STEP 2



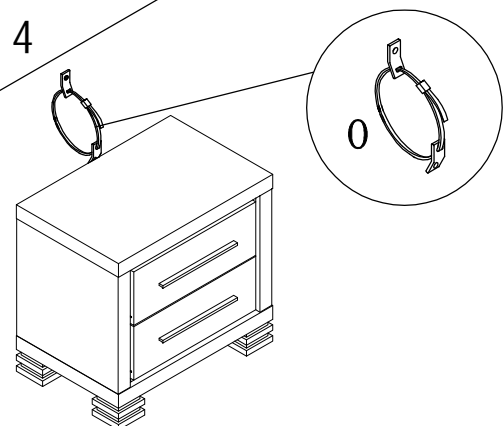
1. Use a light hammer to tap anchor into hole.
2. Anchor should fit snugly. If hole is too small, drill again to increase hole size. Do not force anchor into wall.

STEP 3



1. Insert drywall screw into metal bracket and into drywall anchor.
2. Insert flathead screw into second metal bracket and into back of item along top edge.

STEP 4



1. Insert strap thru bracket attached to wall, then thru bracket on item, and into head of strap.
 2. pull lightly til strap stops.
- Assembly is complete.**