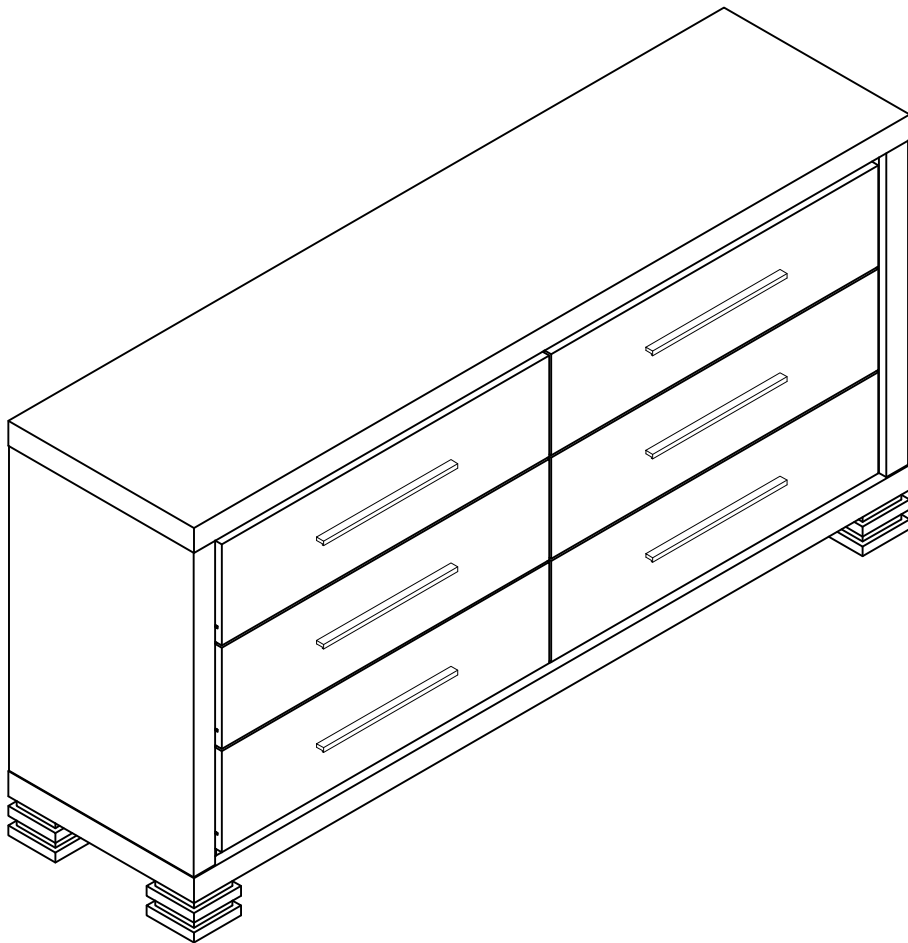


ASSEMBLY INSTRUCTION

ITEM#: B9110



ASSEMBLY INSTRUCTION

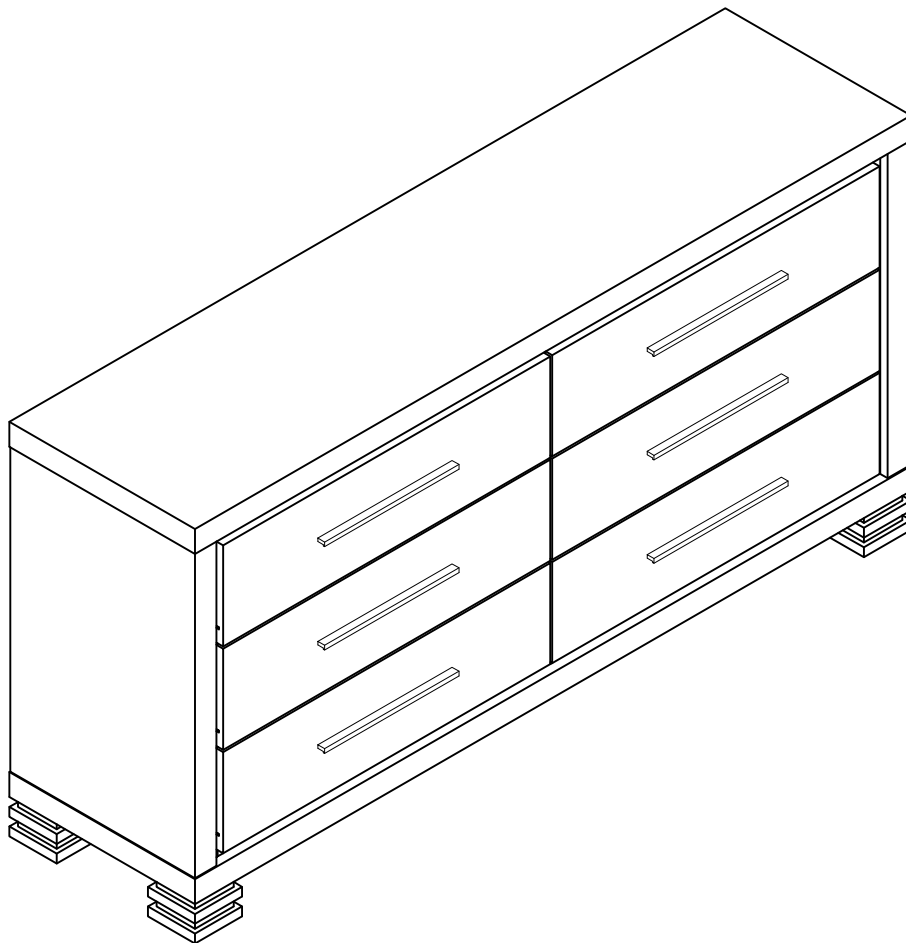
PLEASE READ BEFORE ASSEMBLING!

Tip #1: Make sure you've taken all the pieces and hardware out of its packaging before discarding the box. Assembly on top of flattened box/blanket is recommended.

Tip #2: Using page 2 and/or page 3 of instruction manual make sure all pieces and hardware are accounted for.

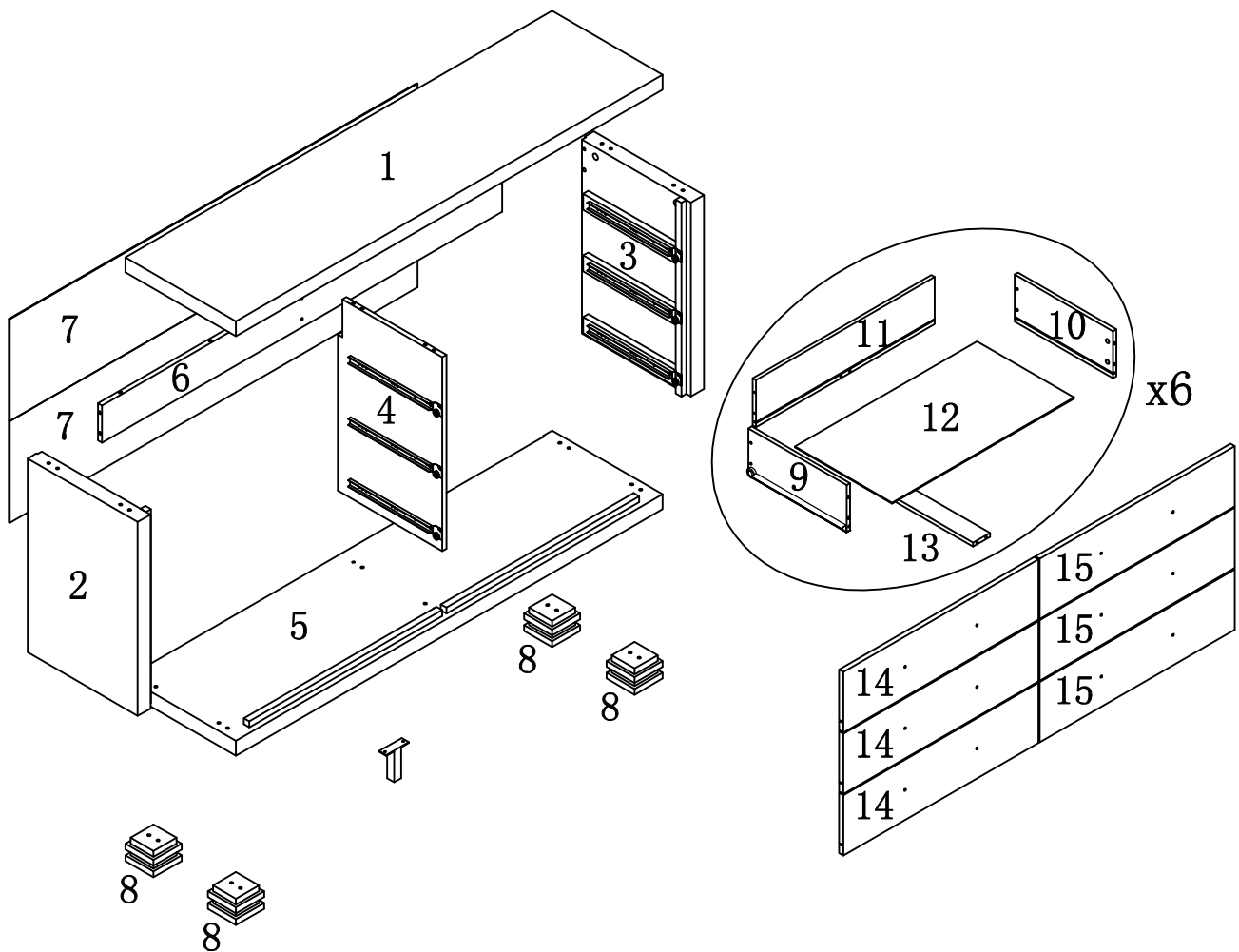
Tip #3: Note position of all holes on each panel during assembly.

ITEM#: B9110



PARTS IDENTIFICATION

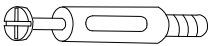

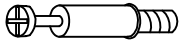




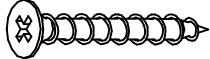
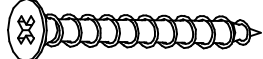
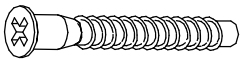

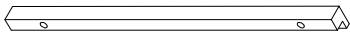
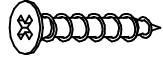







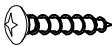
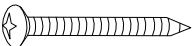
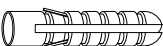

ITEM#: B9110



(1)	1pc	(6)	1pc	(11)	6pcs
(2)	1pc	(7)	2pcs	(12)	6pcs
(3)	1pc	(8)	4pcs	(13)	6pcs
(4)	1pc	(9)	6pcs	(14)	3pcs
(5)	2pcs	(10)	6pcs	(15)	3pcs

HARDWARE IDENTIFICATION

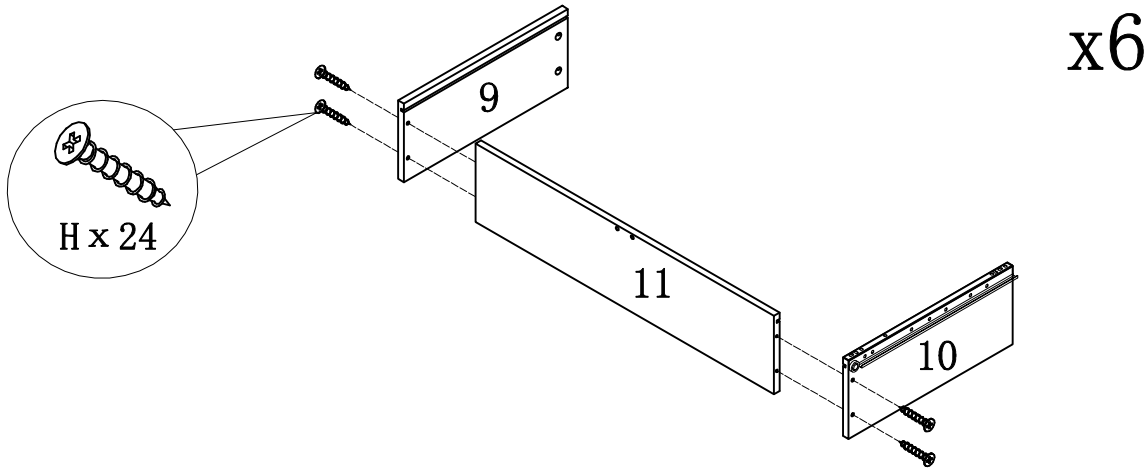
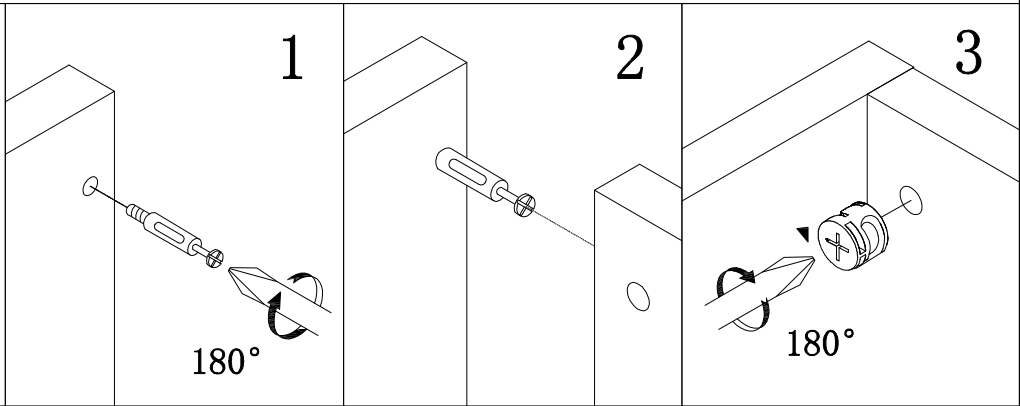
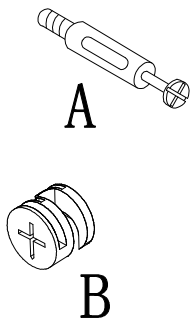
ITEM#: B9110

A		L29	10pcs
B		ø15	10pcs
C		L20	24pcs
D		ø12	24pcs
E		ø8x25	17pcs
F		ø6x30	12pcs
G		ø4 x 16	2pcs
H		ø4 x 30	38pcs
I		ø4 x 45	2pcs
J		ø7x58	4pcs
K		ø8xø16x2	12pcs
L		256#	6pcs
M		ø4 x 25	12pcs
N		Z1016	35pcs
O		ø16	4pcs
P		M8x80	8pcs
Q		M5	1pc
R		80x25x72	1pc
S		197×5×1	1pc
T		12×12×1	2pcs
U		ø4X25	1pc
V		ø5X40	1pc
W		ø8X40	1pc
X		Glue: For securing please apply to wood dowel first before inserting into panel	1pc

ASSEMBLY INSTRUCTION

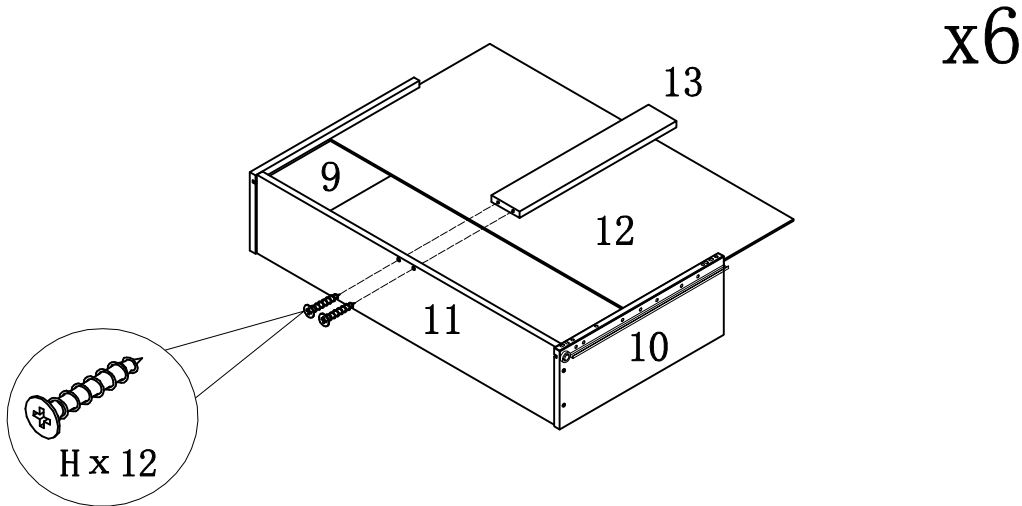
ITEM#: B9110

HOW TO



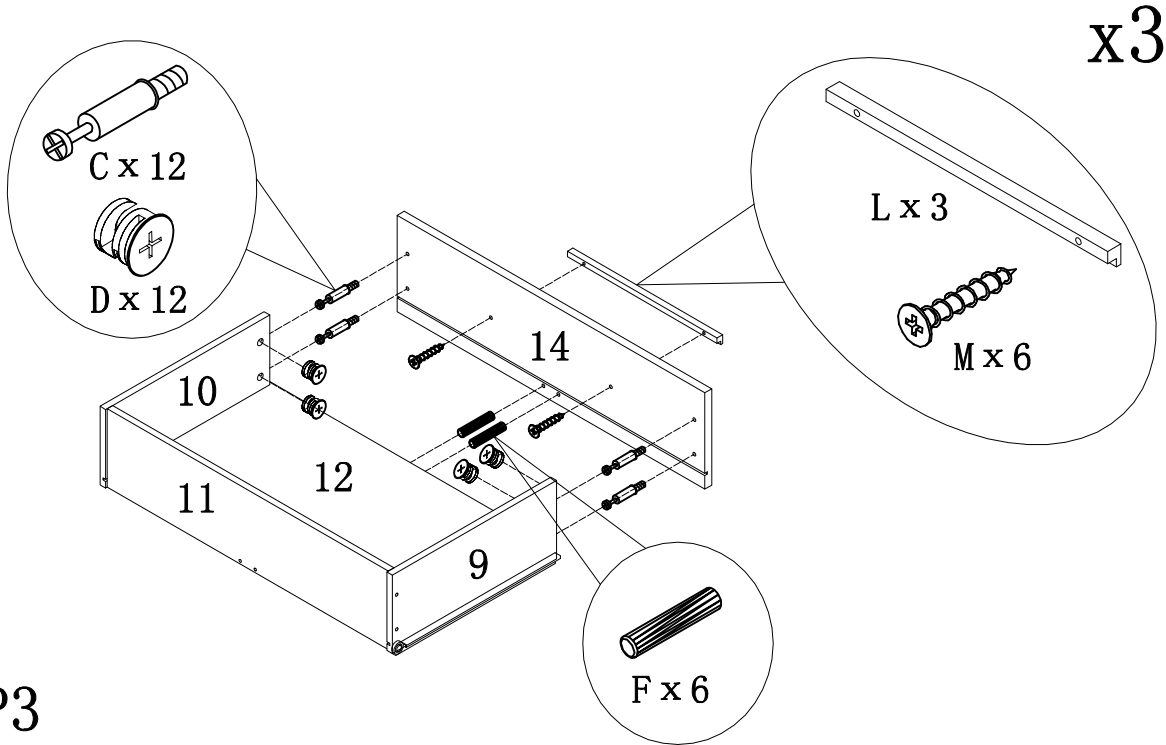
STEP 1

STEP 2



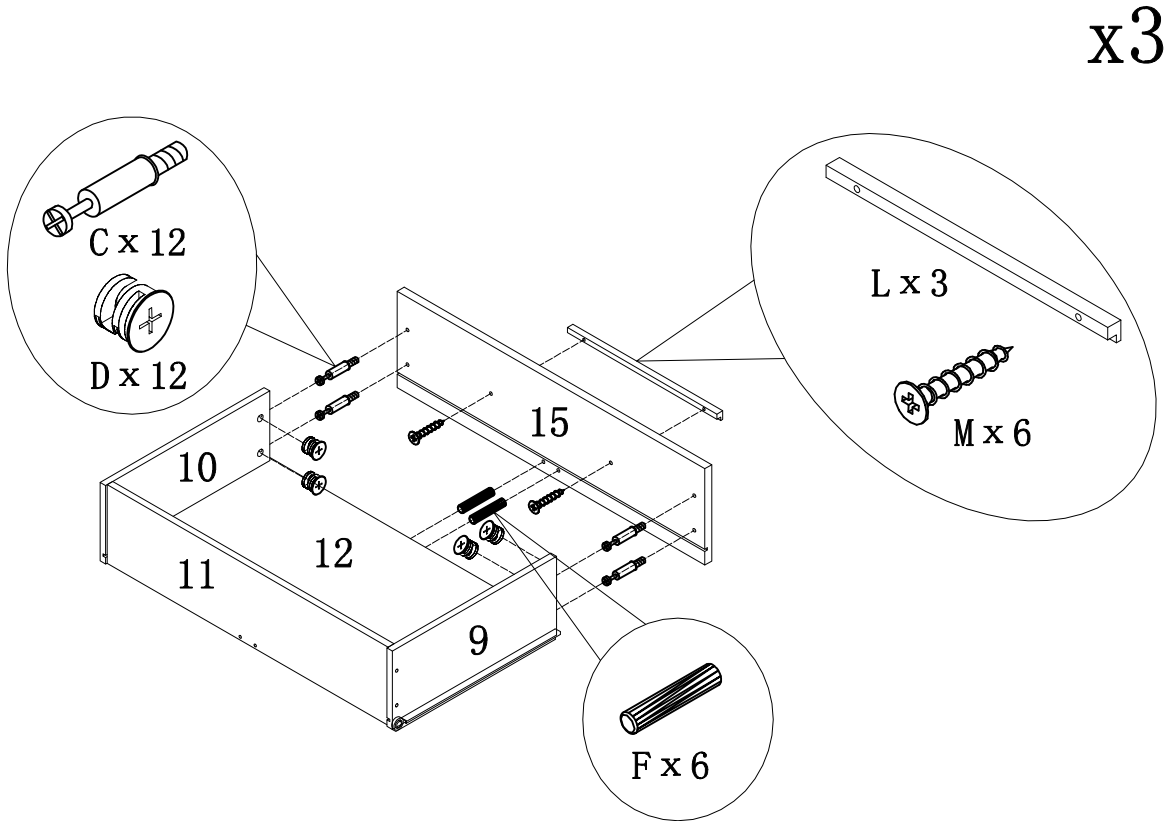
ASSEMBLY INSTRUCTION

ITEM#: B9110



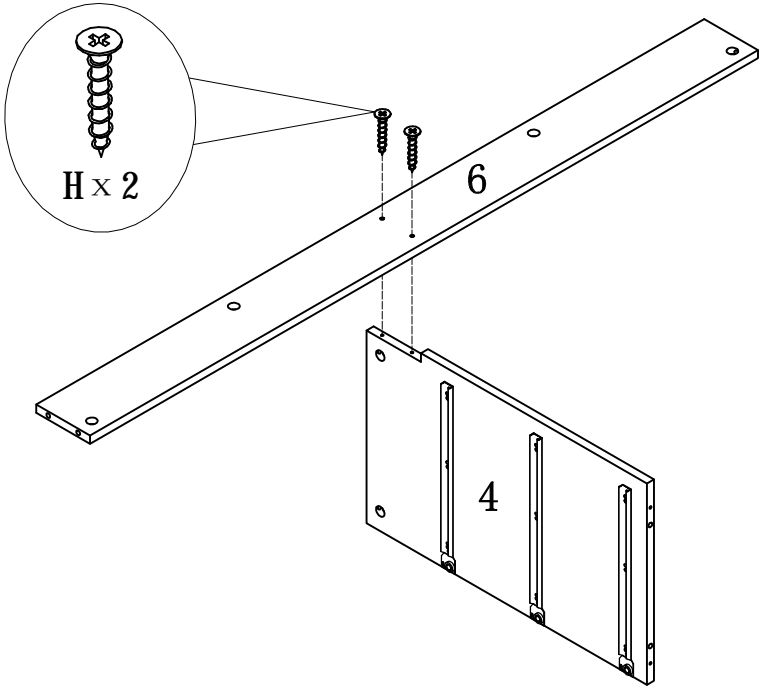
STEP3

STEP4



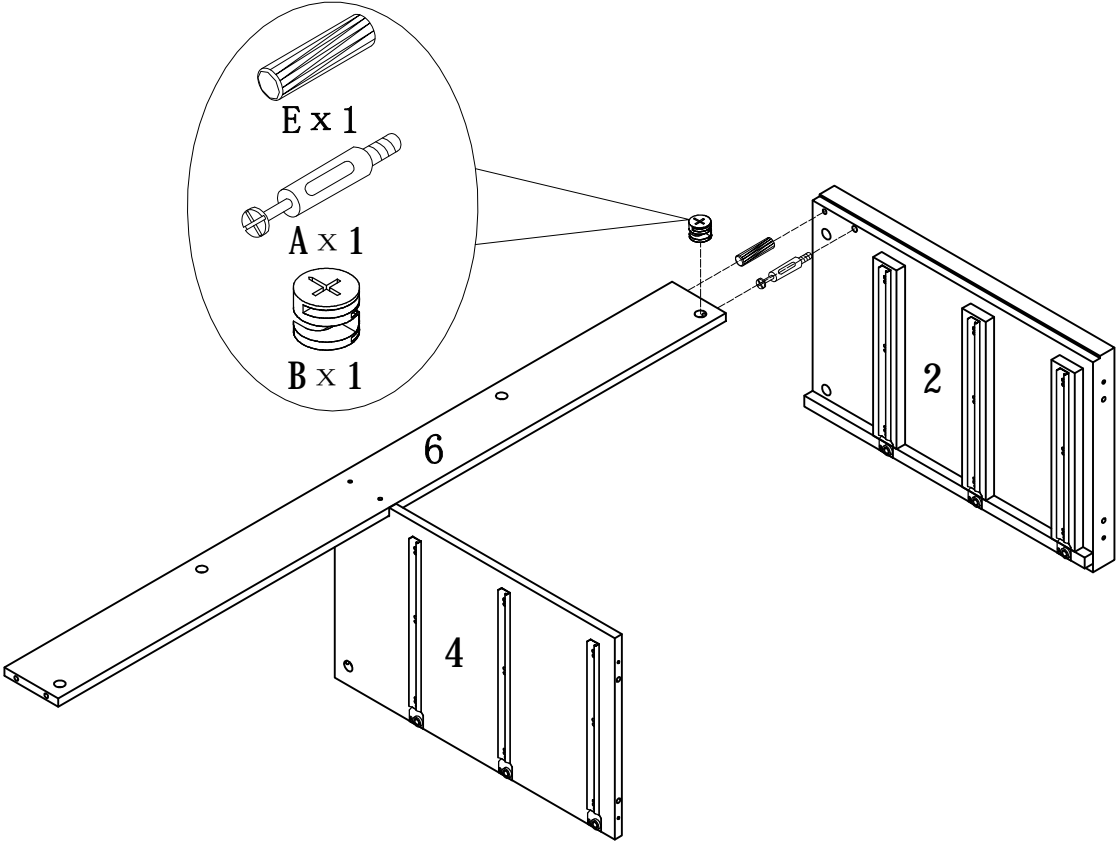
ASSEMBLY INSTRUCTION

ITEM#: B9110



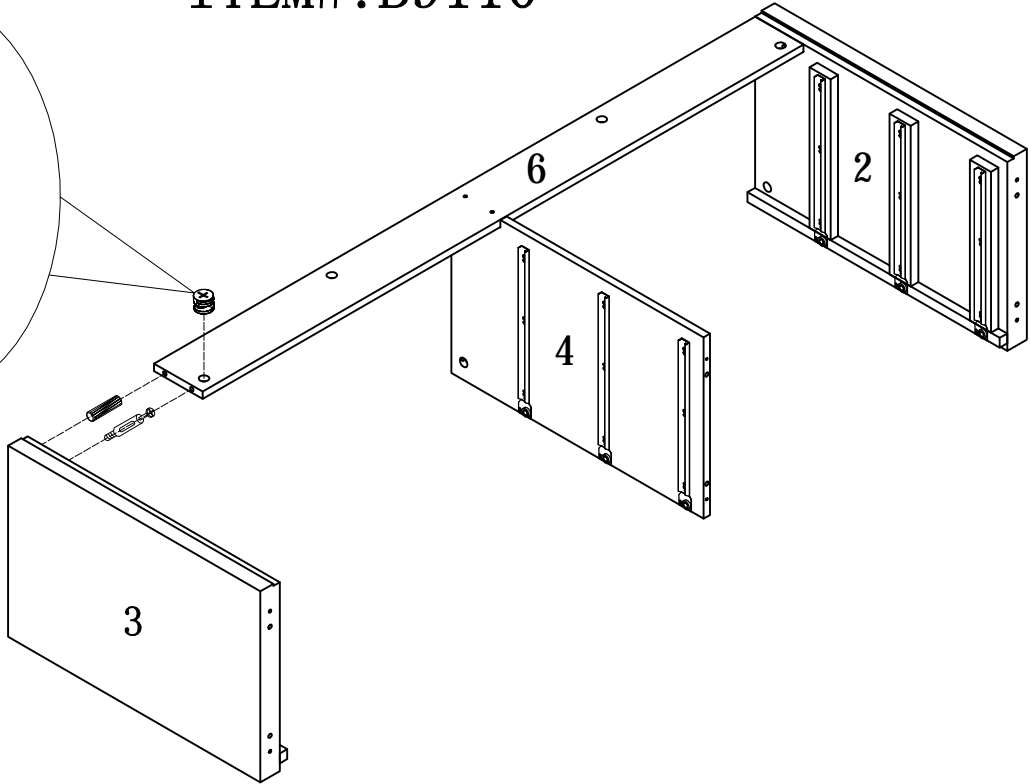
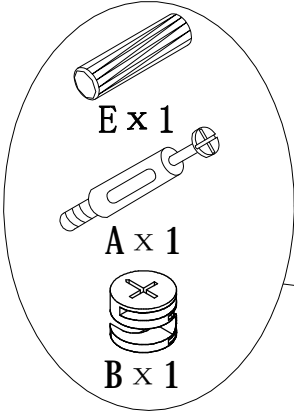
STEP5

STEP6



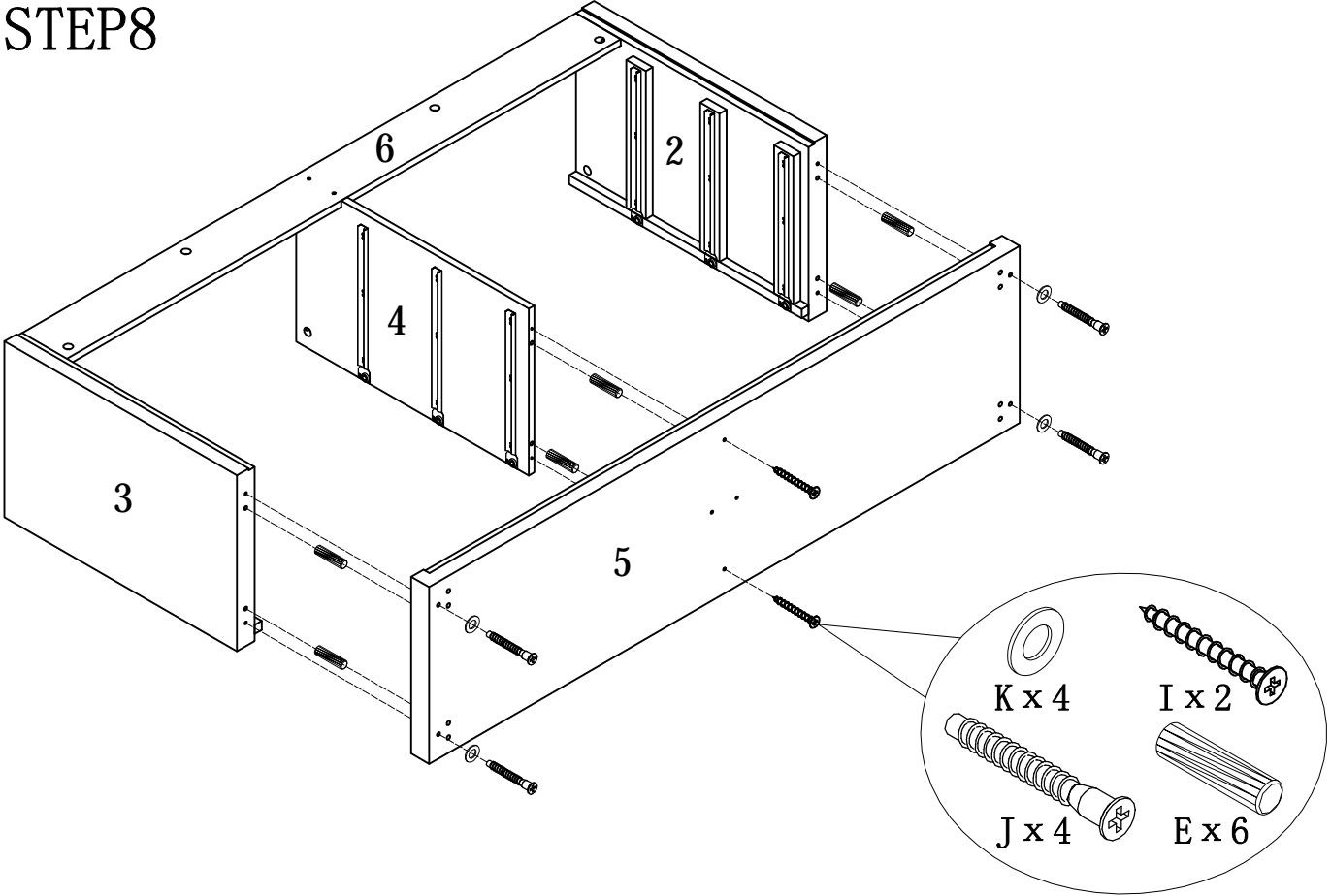
ASSEMBLY INSTRUCTION

ITEM#: B9110



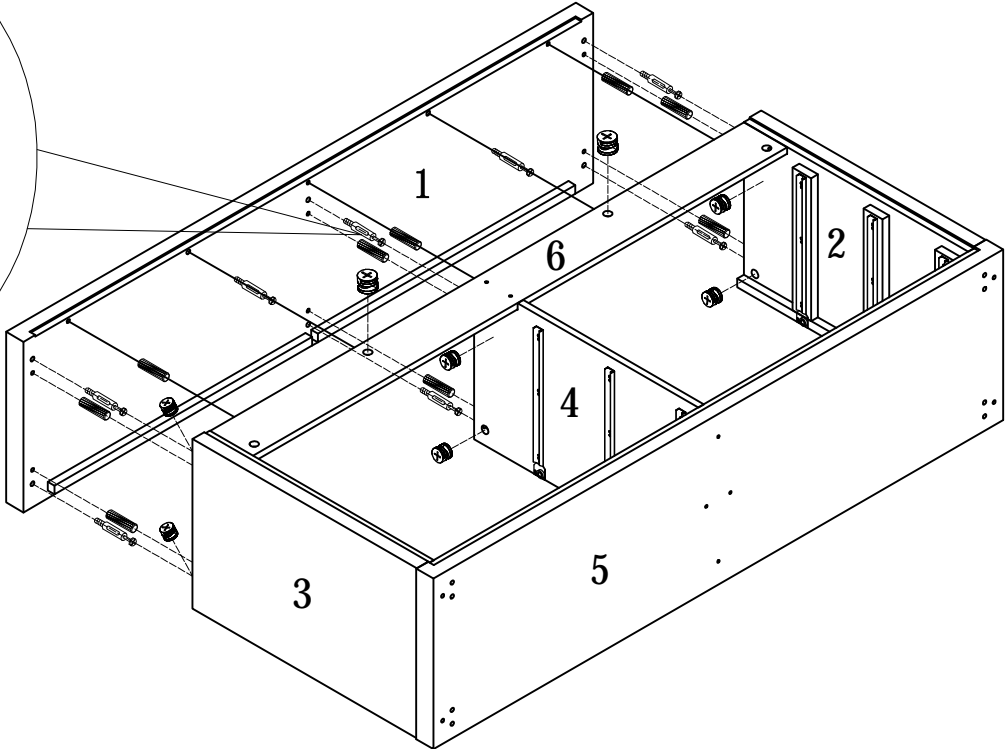
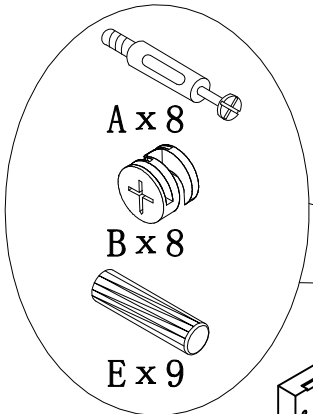
STEP 7

STEP 8



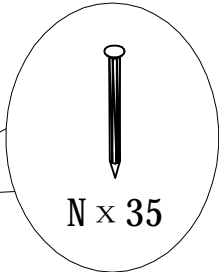
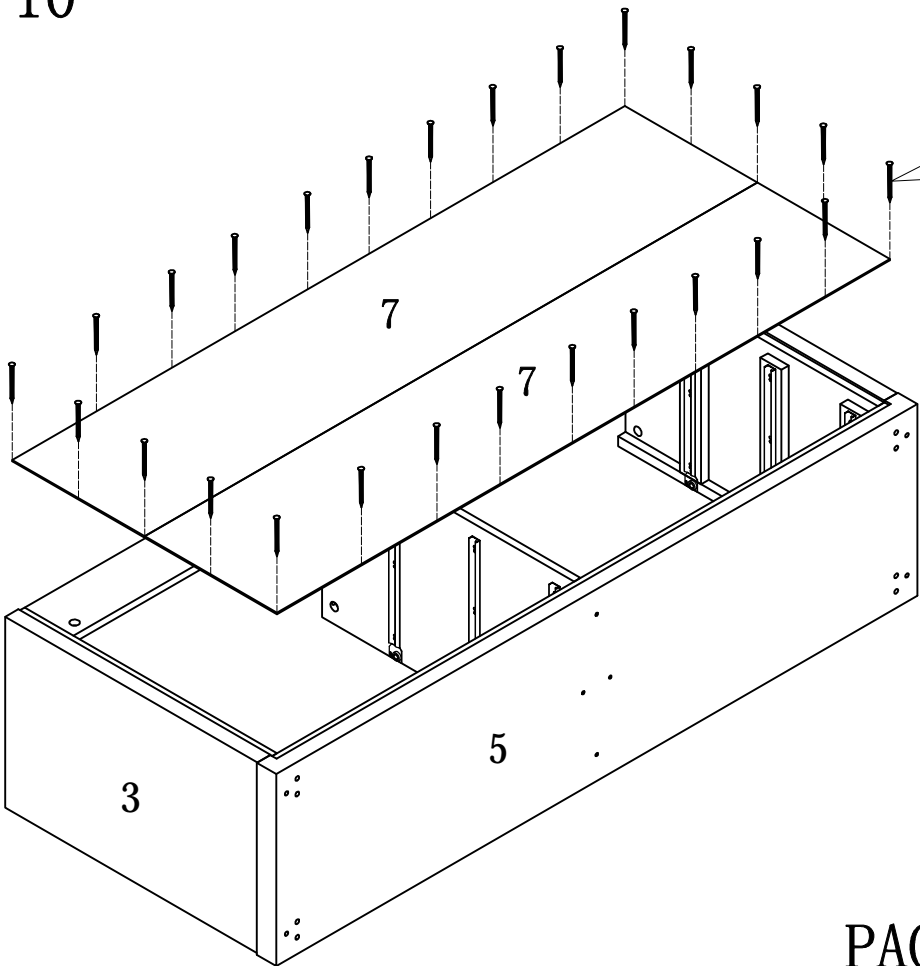
ASSEMBLY INSTRUCTION

ITEM#: B9110



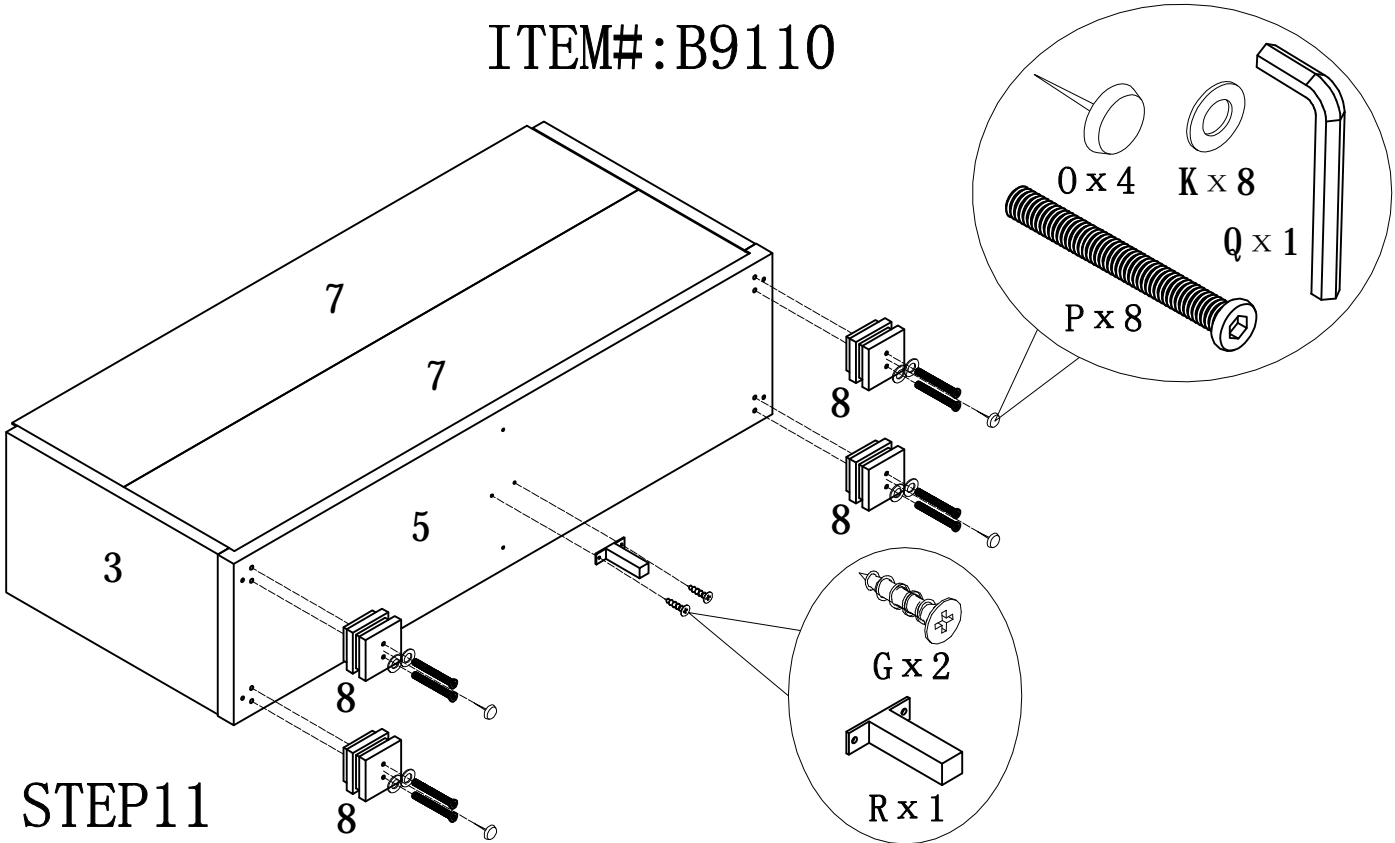
STEP9

STEP10

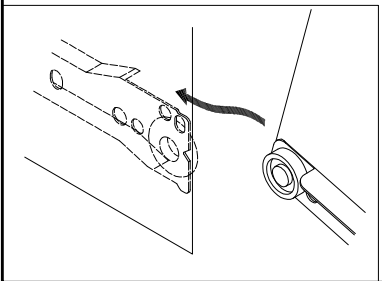
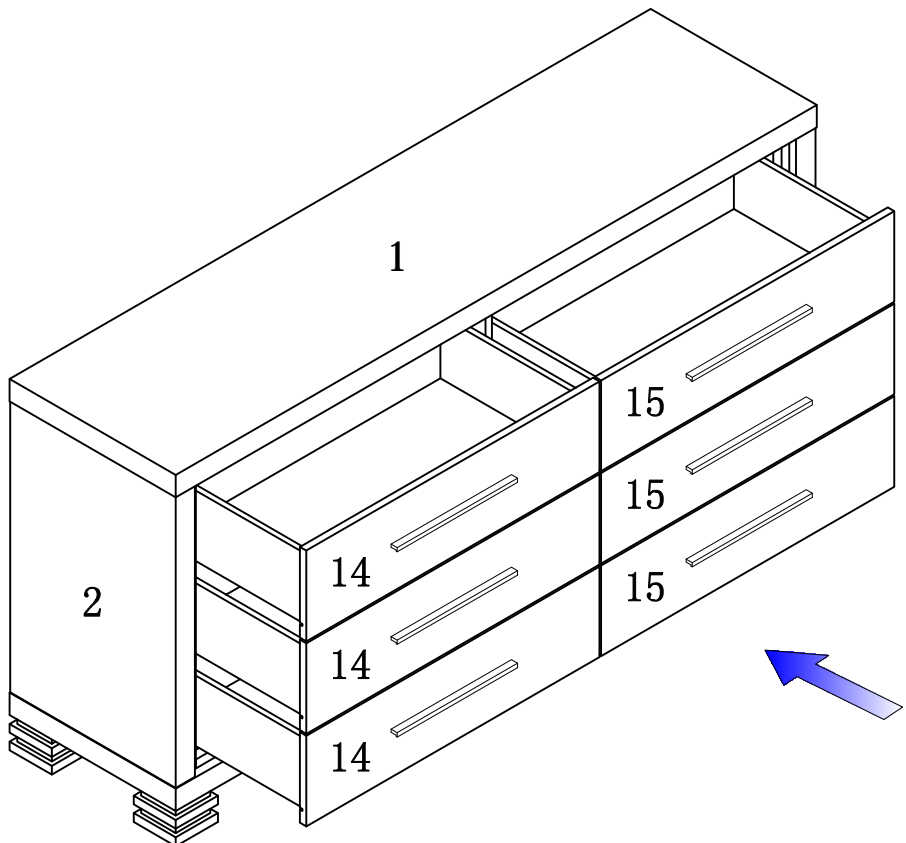


ASSEMBLY INSTRUCTION

ITEM#: B9110

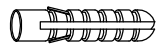


STEP 12

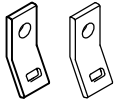


ANTI-TIPPING STRAP INSTRUCTION

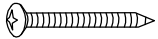
HARDWARE (INCLUDED) :



DRYWALL ANCHOR $\phi 8 \times 40$ X 1PC



METAL BRACKETS $12 \times 12 \times 1$ X 2PCS



DRYWALL SCREW $\phi 5 \times 40$ X 1PC

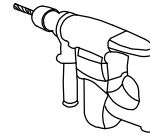


STRAP $197 \times 5 \times 1$ X 1PC



FLATHEAD SCREW $\phi 4 \times 25$ X 1PC

TOOLS NEEDED (NOT INCLUDED) :



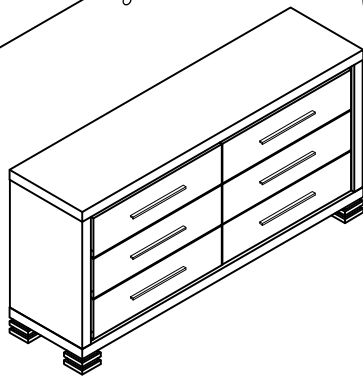
DRILL & DRILL BIT



LIGHT HAMMER

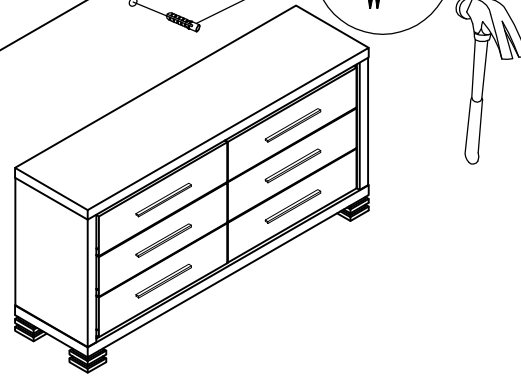
Note: Hardware included only compatible with standard drywalls.

STEP 1



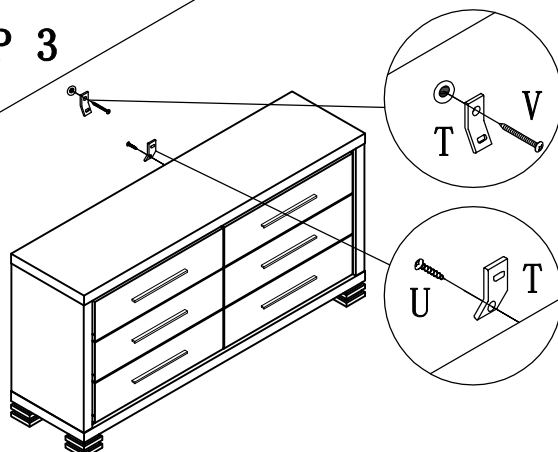
1. Find spot on wall 1" below top of item.
2. Using a drill bit slightly thinner than anchor, drill hole into drywall.

STEP 2



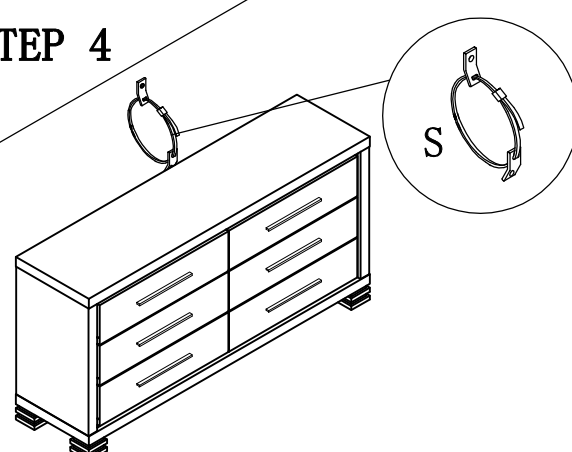
1. Use a light hammer to tap anchor into hole.
2. Anchor should fit snugly. If hole is too small, drill again to increase hole size. Do not force anchor into wall.

STEP 3



1. Insert drywall screw into metal bracket and into drywall anchor.
2. Insert flathead screw into second metal bracket and into back of item along top edge.

STEP 4



1. Insert strap thru bracket attached to wall, then thru bracket on item, and into head of strap.
 2. pull lightly til strap stops.
- Assembly is complete.**