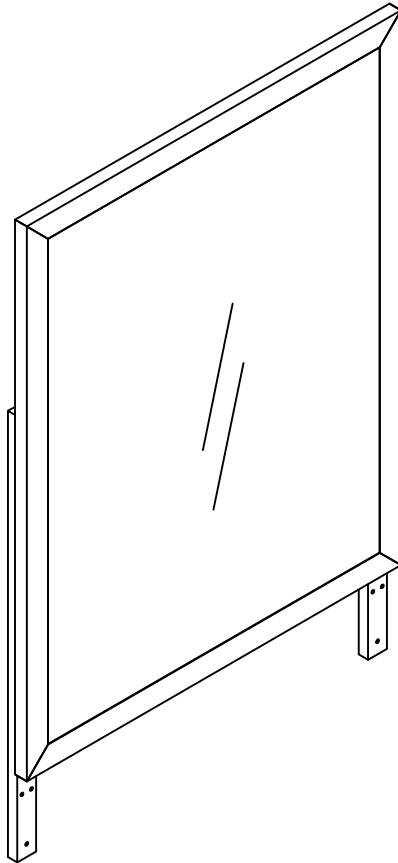


# ASSEMBLY INSTRUCTION

---

ITEM# 9111



# ASSEMBLY INSTRUCTION

---

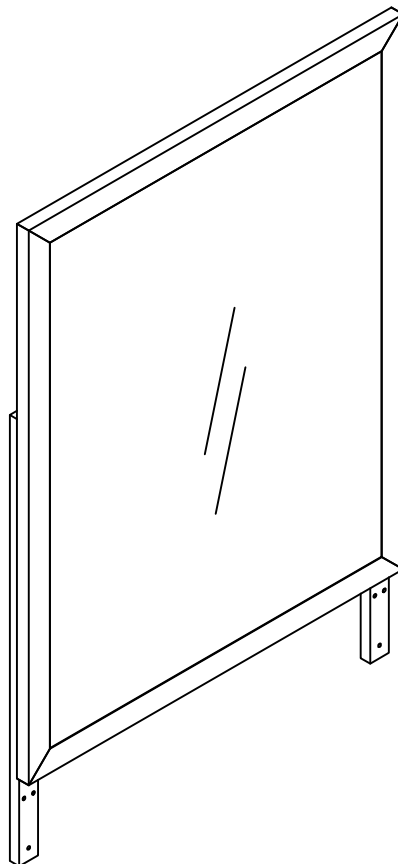
## PLEASE READ BEFORE ASSEMBLING!

Tip #1: Make sure you've taken all the pieces and hardware out of its packaging before discarding the box. Assembly on top of flattened box/blanket is recommended.

Tip #2: Using page 2 and/or page 3 of instruction manual make sure all pieces and hardware are accounted for.

Tip #3: Note position of all holes on each panel during assembly.

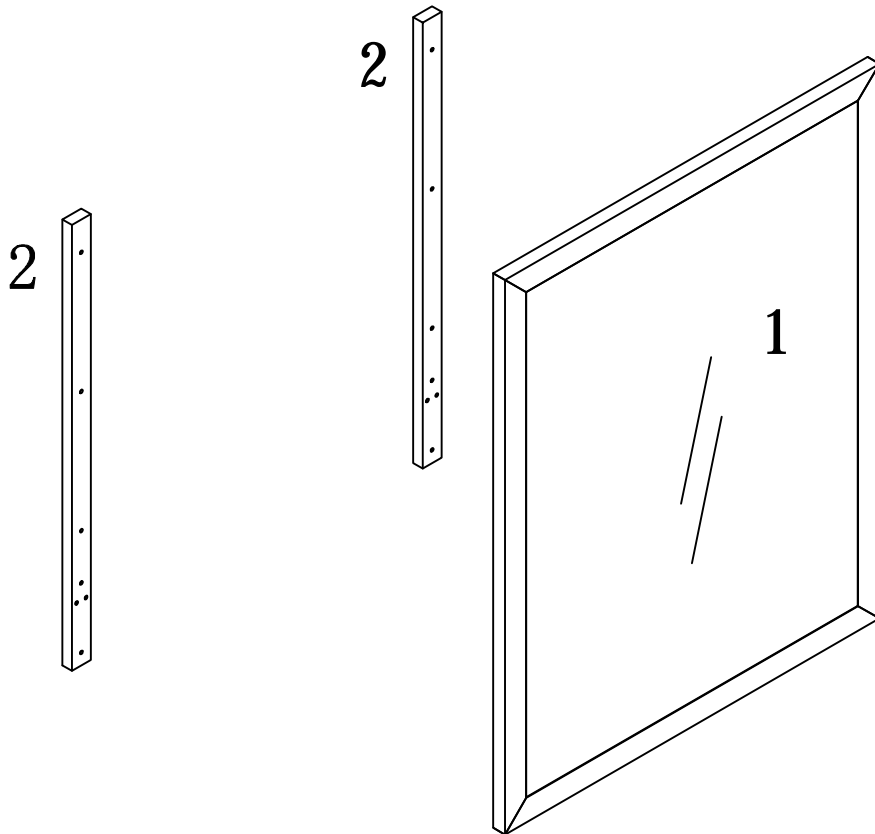
ITEM# 9111



# PARTS IDENTIFICATION

---

ITEM# 9111

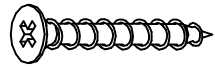


(1)	1pc
(2)	2pcs

# HARDWARE IDENTIFICATION

ITEM# 9111

A



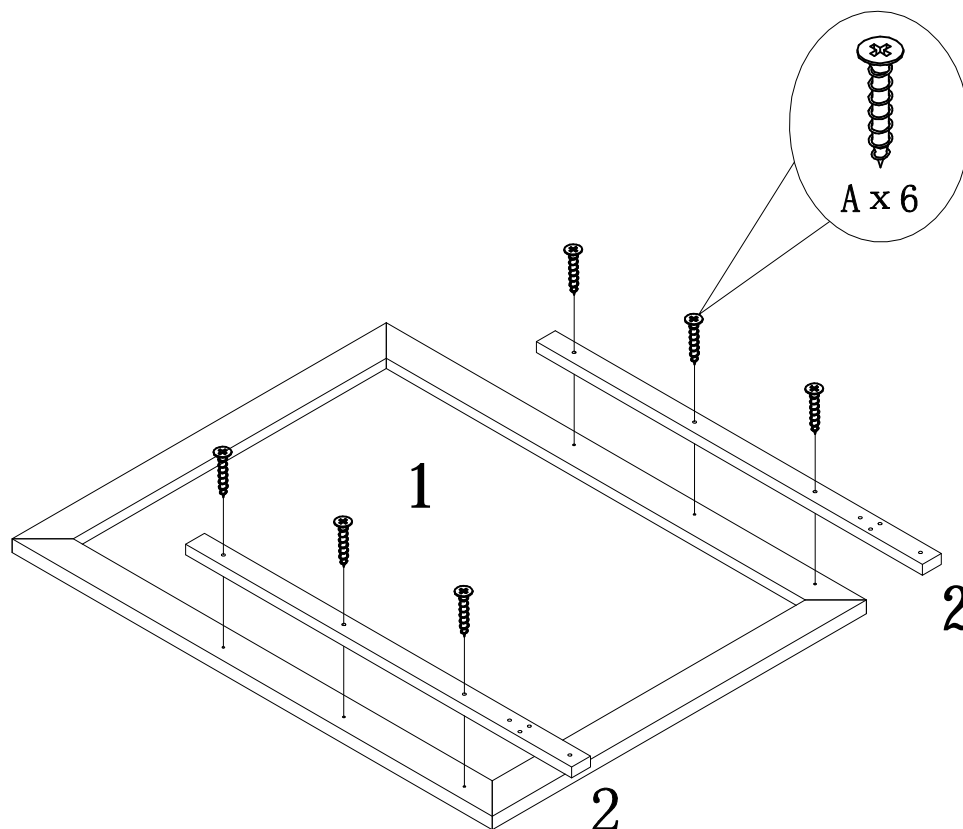
ø4 x 35

14pcs

## ASSEMBLY INSTRUCTION

ITEM#: B9011

STEP 1



# ASSEMBLY INSTRUCTION

---

ITEM# 9111

STEP2

