

ASSEMBLY INSTRUCTION

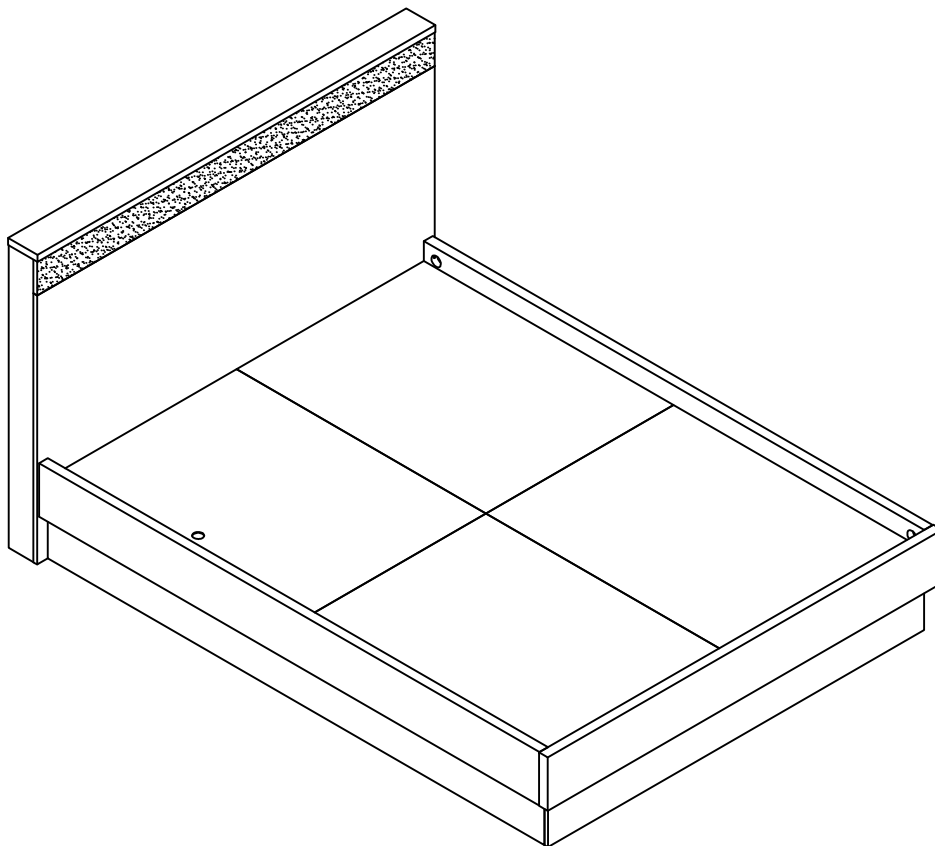
PLEASE READ BEFORE ASSEMBLING!

Tip #1: Make sure you've taken all the pieces and hardware out of its packaging before discarding the box. Assembly on top of flattened box/blanket is recommended.

Tip #2: Using page 2 and/or page 3 of instruction manual make sure all pieces and hardware are accounted for.

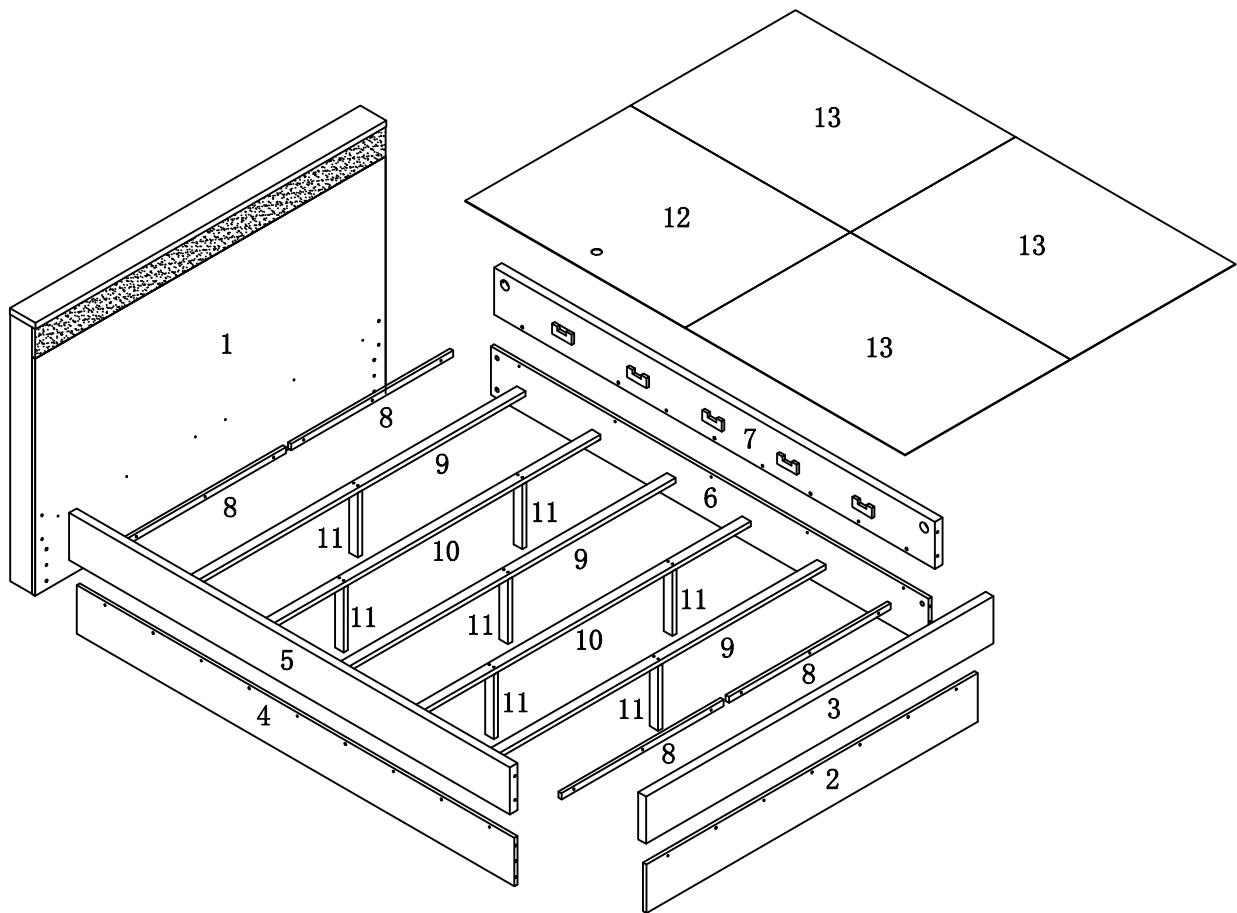
Tip #3: Note position of all holes on each panel during assembly.

ITEM#: MB9302Q



PARTS IDENTIFICATION








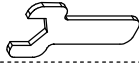
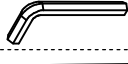

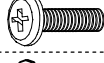

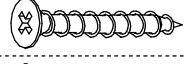
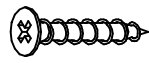
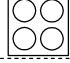

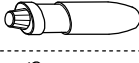

ITEM#:MB9302Q



(1)	1pc	(8)	4pcs
(2)	1pc	(9)	3pcs
(3)	1pc	(10)	2pcs
(4)	1pc	(11)	7pcs
(5)	1pc	(12)	1pc
(6)	1pc	(13)	3pcs
(7)	1pc		

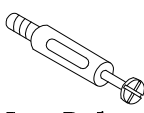
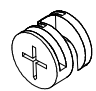
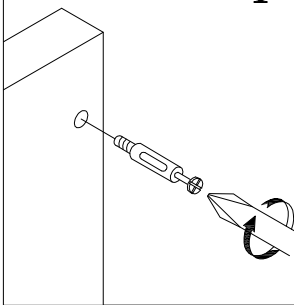
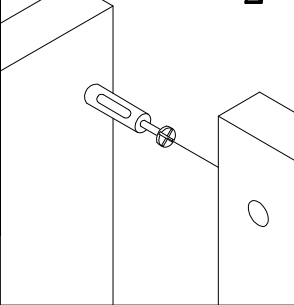
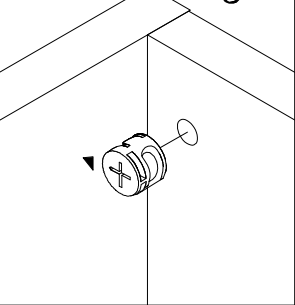
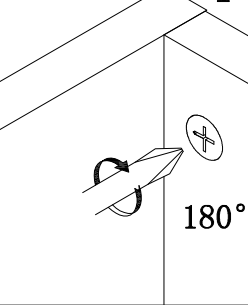
HARDWARE IDENTIFICATION

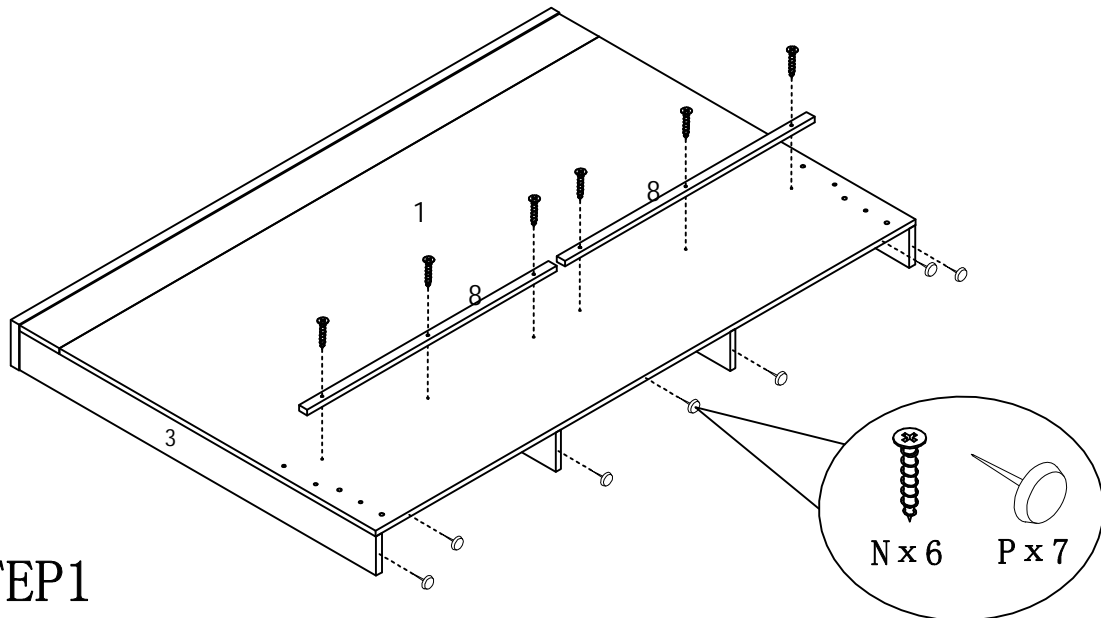
ITEM#: MB9302Q

A		L29	8pcs
B		Ø15	8pcs
C		M8x70	2pcs
D		M8x70	2pcs
E		Ø35	4pcs
F		M8	4pcs
G		Ø8xØ16x2	6pcs
H		M13	1pc
I		M5	1pc
J		Ø8x25	19pcs
K		M6x25	14pcs
L		Ø4x16	8pcs
M		Ø4x40	14pcs
N		Ø4x30	12pcs
O		Ø45	4pcs
P		Ø16	16pcs
Q		Glue: For securing please apply to wood dowel first before inserting into panel	1pc
R		18*18*2	4pc

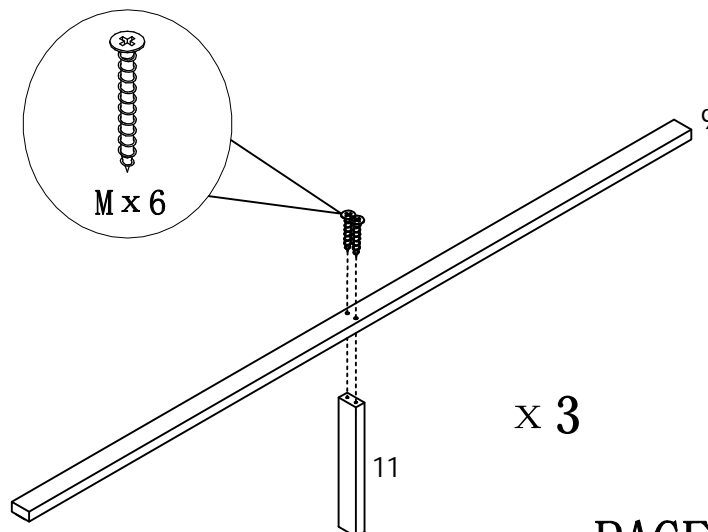
ASSEMBLY INSTRUCTION

ITEM#: MB9302Q

HOW TO	1	2	3	4
 Cam Bolt  Cam Lock				
	1. Screw Cam Bolt into panel.	2. Insert Cam Bolt into bolt hole of joining panel.	3. Insert Cam Lock. arrow facing bolt.	4. Gently turn Cam Lock clockwise to lock position.

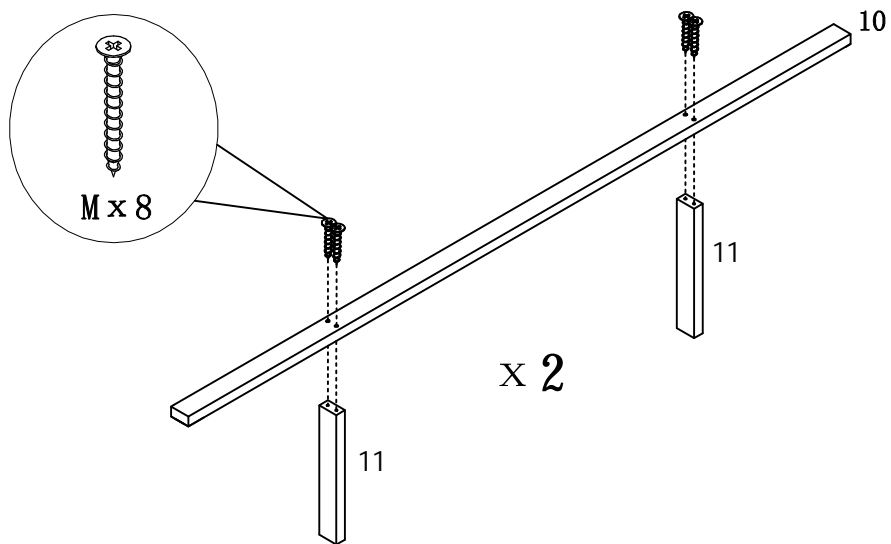


STEP 2



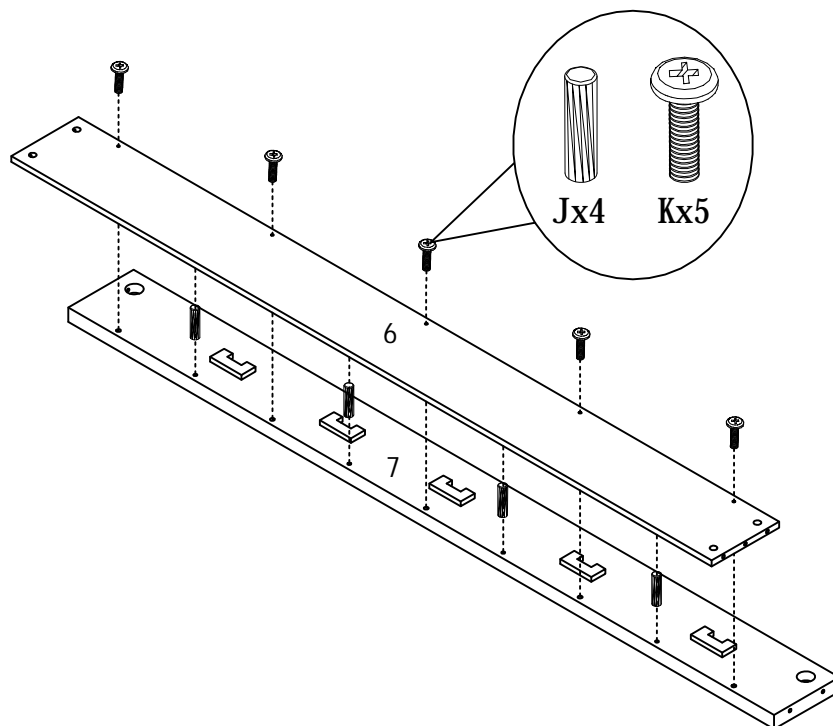
ASSEMBLY INSTRUCTION

ITEM#: MB9302Q



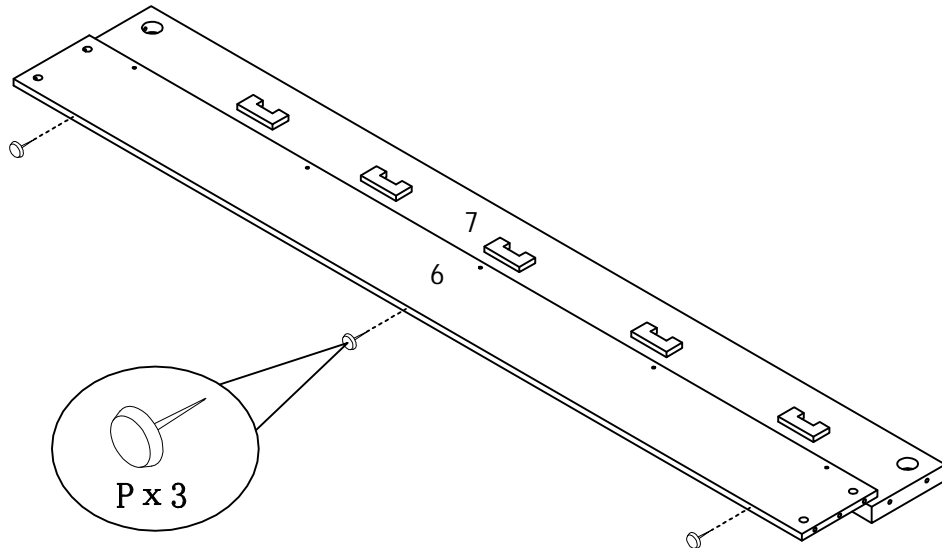
STEP3

STEP4



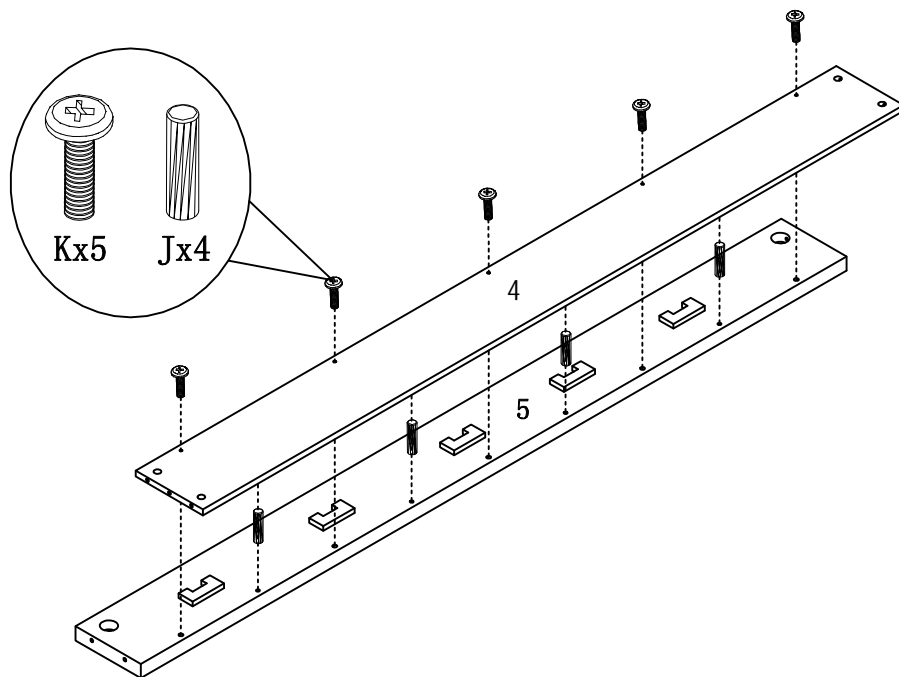
ASSEMBLY INSTRUCTION

ITEM#: MB9302Q



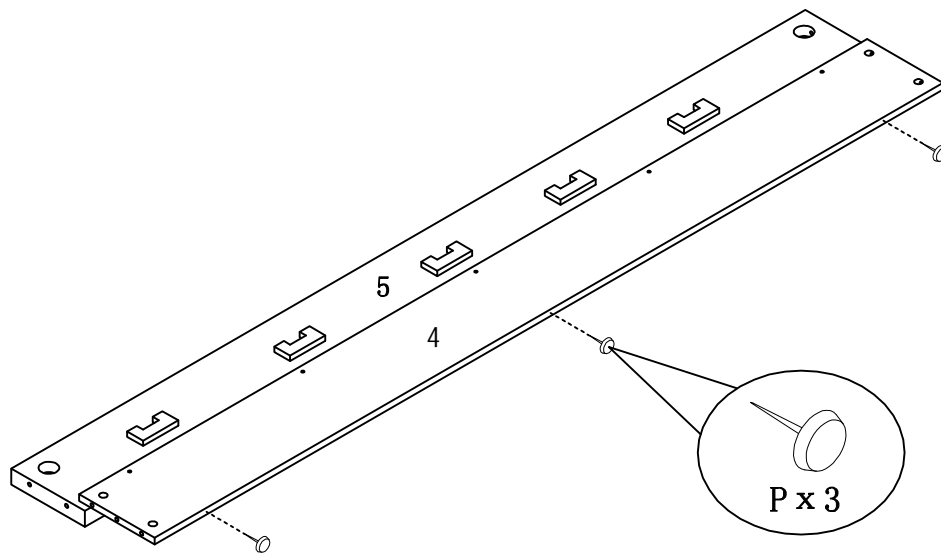
STEP5

STEP6



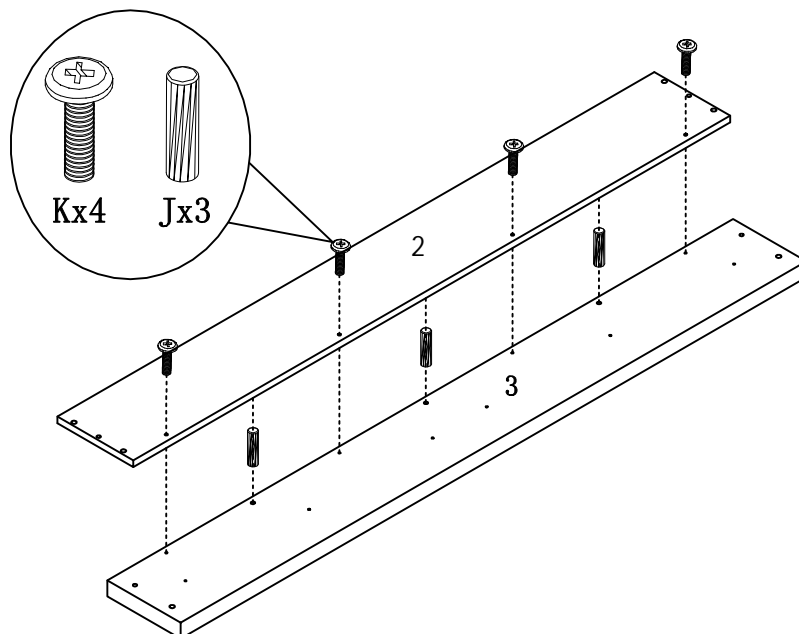
ASSEMBLY INSTRUCTION

ITEM#: MB9302Q



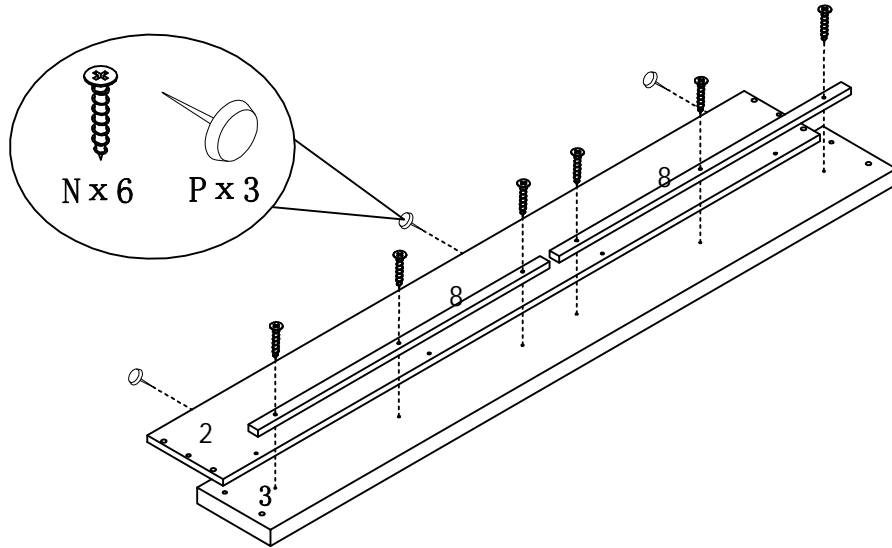
STEP7

STEP8



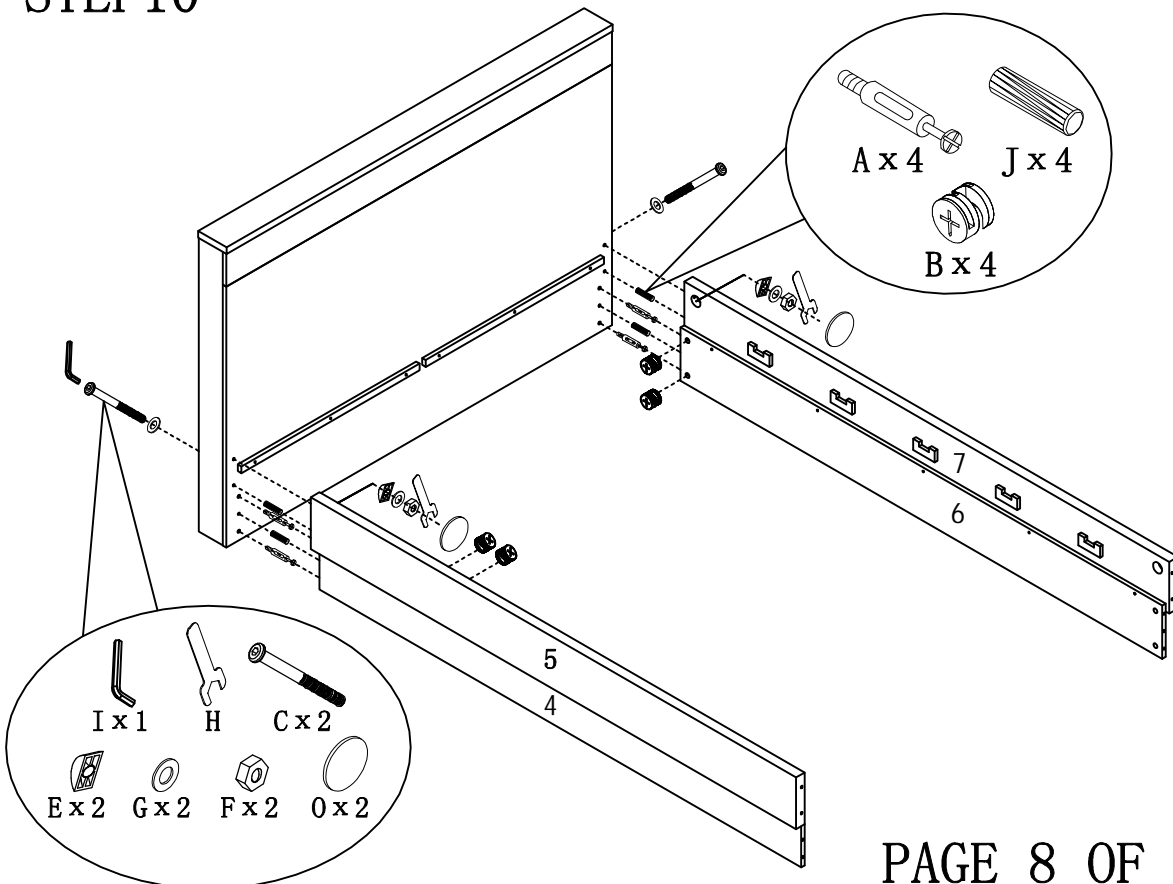
ASSEMBLY INSTRUCTION

ITEM#: MB9302Q



STEP9

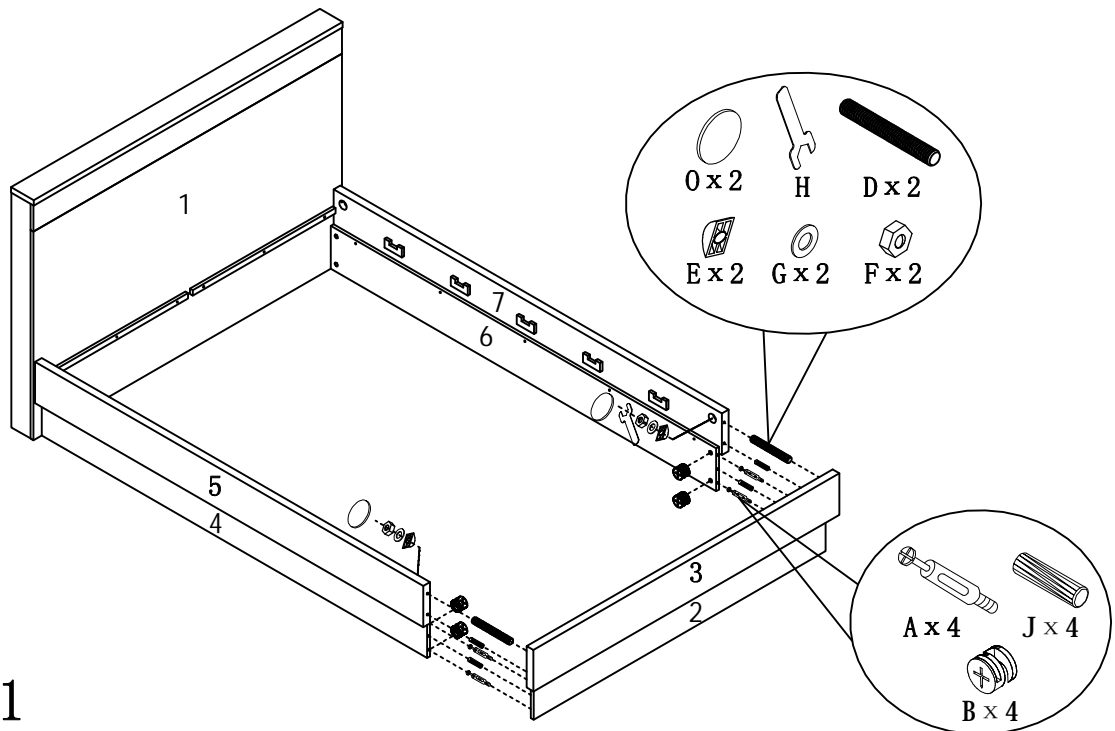
STEP10



PAGE 8 OF 10

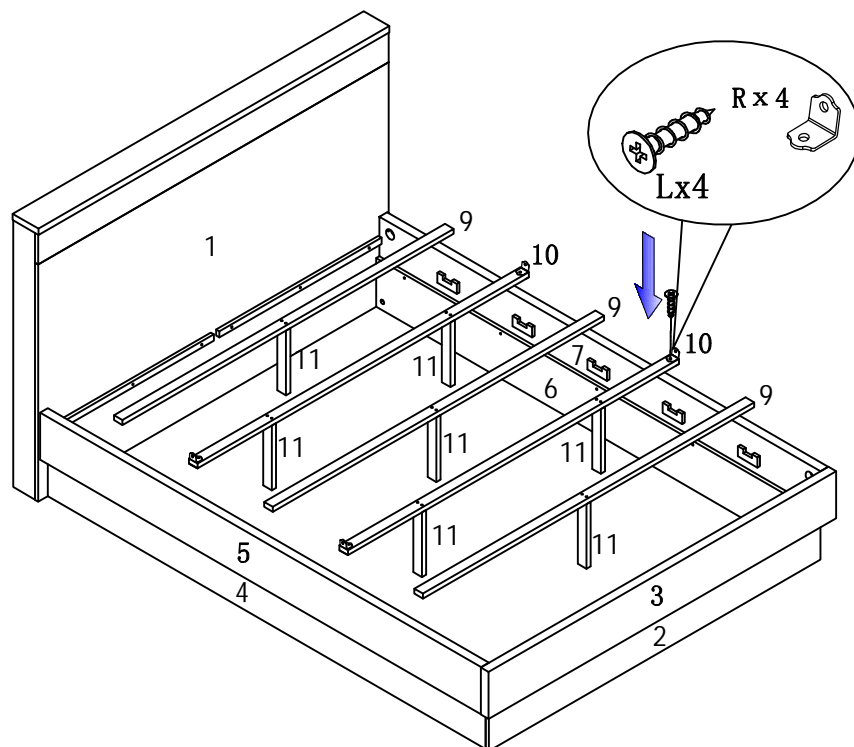
ASSEMBLY INSTRUCTION

ITEM#: MB9302Q



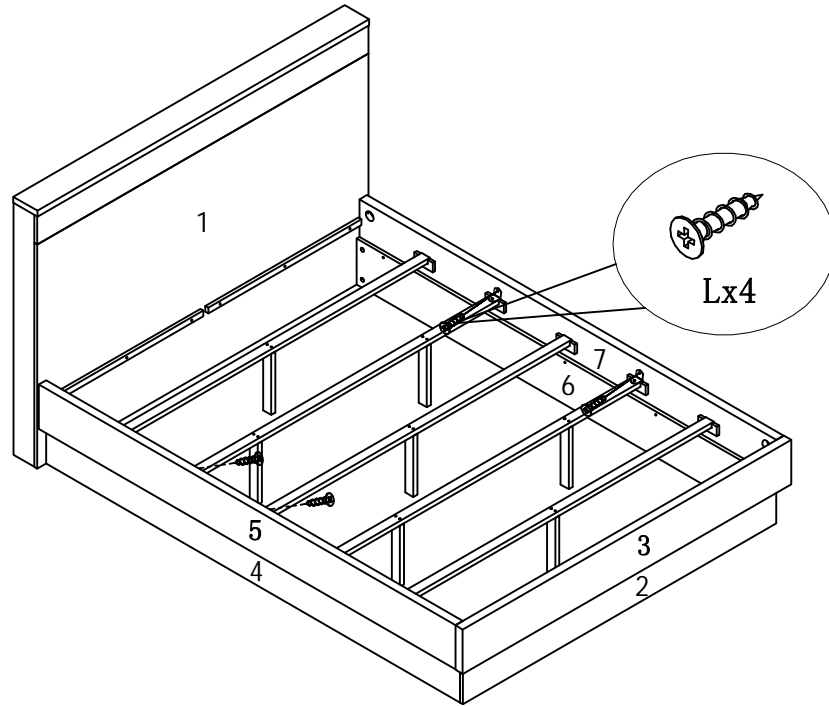
STEP 11

STEP 12



ASSEMBLY INSTRUCTION

ITEM#: MB9302Q



STEP13

STEP14

