

# ASSEMBLY INSTRUCTION

---

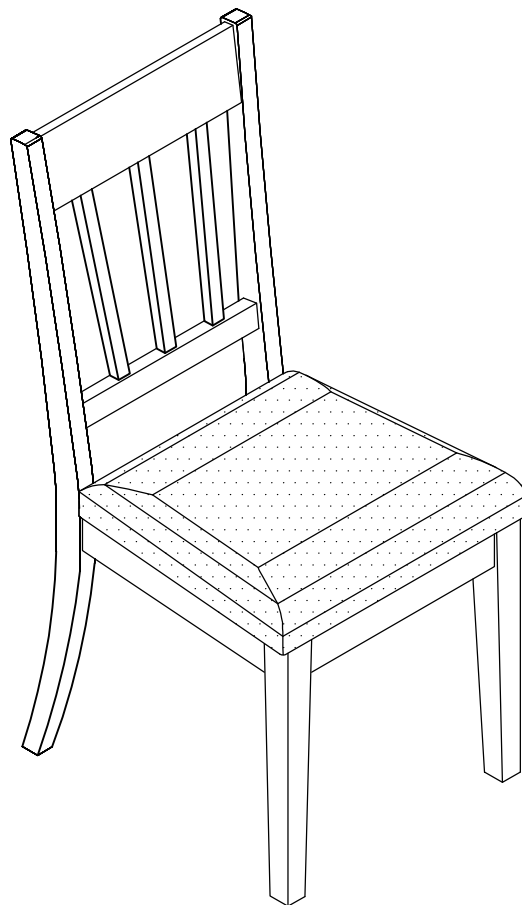
## PLEASE READ BEFORE ASSEMBLING!

Tip #1: Make sure you've taken all the pieces and hardware out of its packaging before discarding the box.

Tip #2: Using page 2 and/or page 3 of instruction manual make sure all pieces and hardware are accounted for.

Tip #3: Read manual before assembling, it helps!

ITEM#      DC14009      DC15016      DC15017

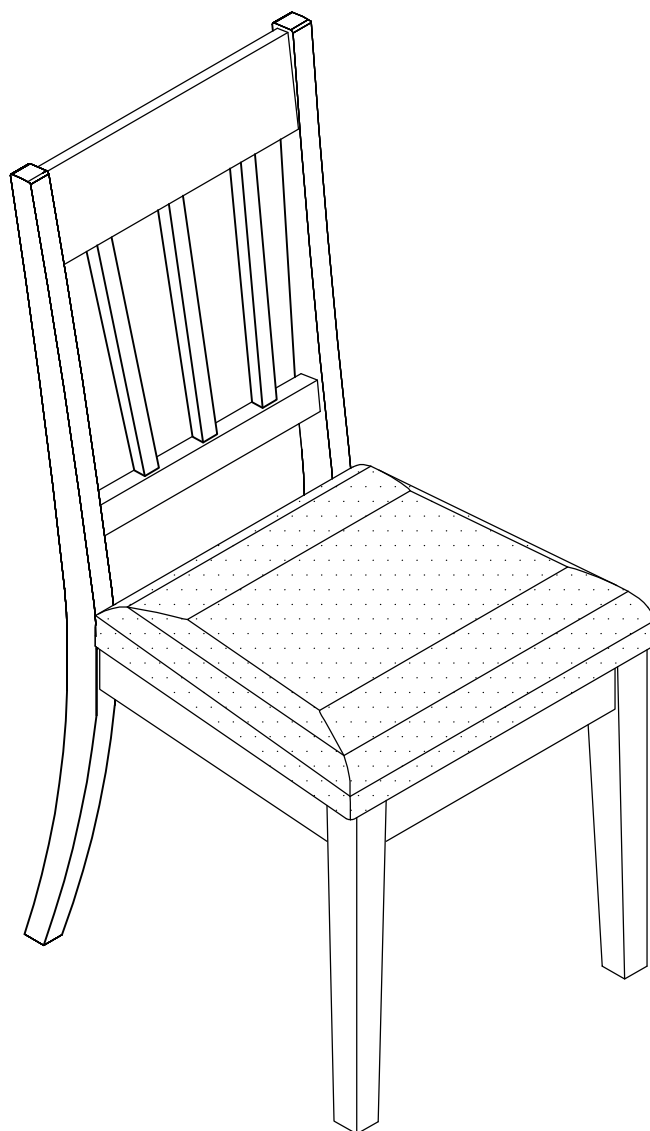


**X2**

# ASSEMBLY INSTRUCTION

---

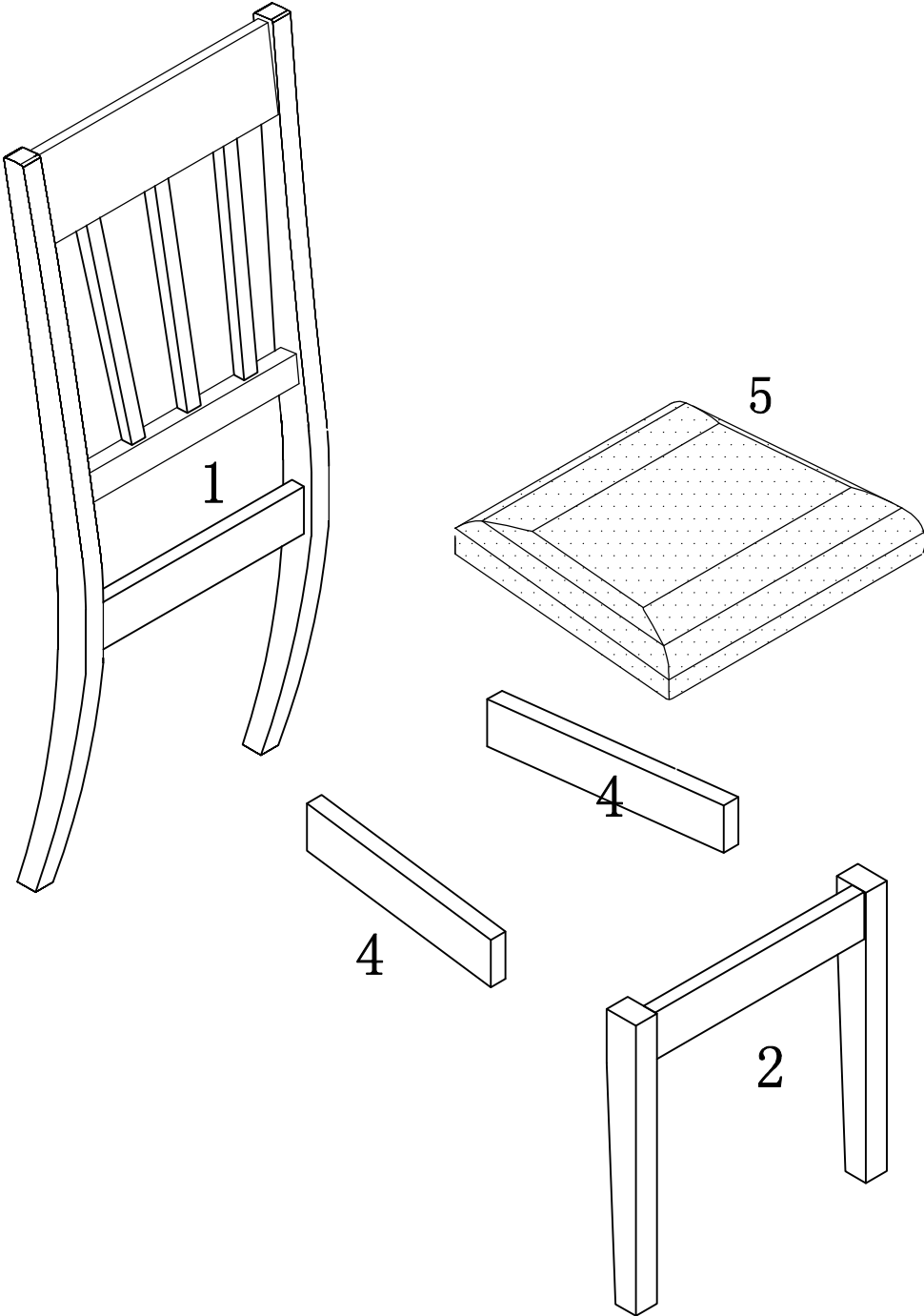
ITEM#: DC14009



**X2**

# ASSEMBLY INSTRUCTION

ITEM#:DC14009



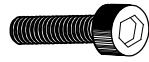
X2

(1)	1pc
(2)	1pc
(3)	1pc
(4)	1pc
(5)	1pc

# HARDWARE IDENTIFICATION

ITEM#: DC14009

A



M8x45

16pcs

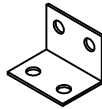
B



M8x2MM

32pcs

C



28x20x20 (BK)

8pcs

D



∅4x16 (BK)

32pcs

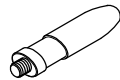
E



M6

1pc

F

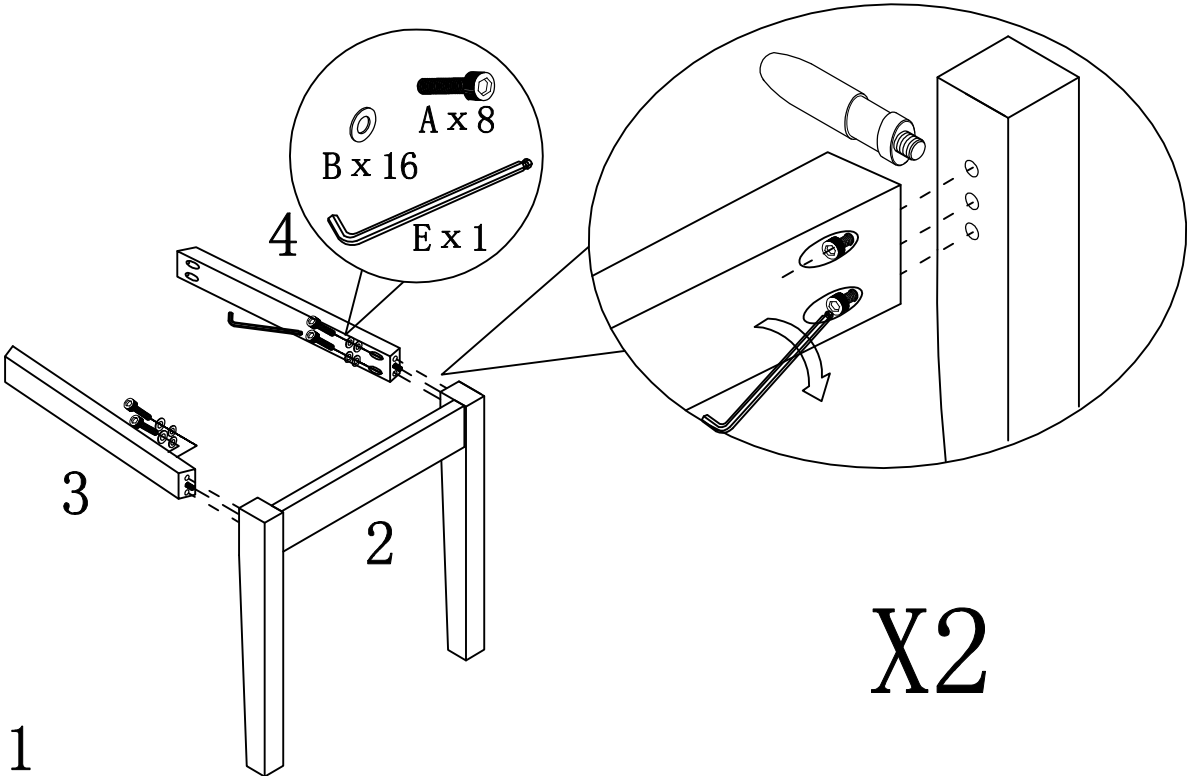


Glue: For securing please  
apply to wood dowel first  
before inserting into panel

1pc

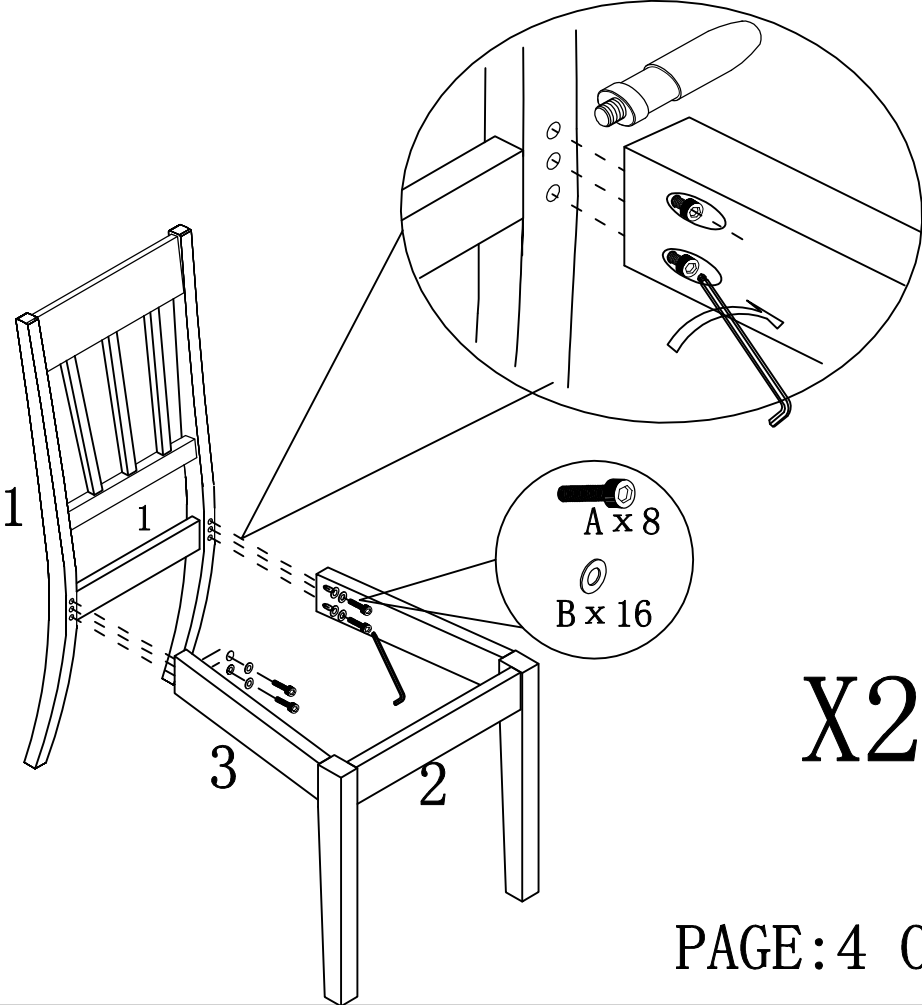
# ASSEMBLY INSTRUCTION

ITEM#: DC14009



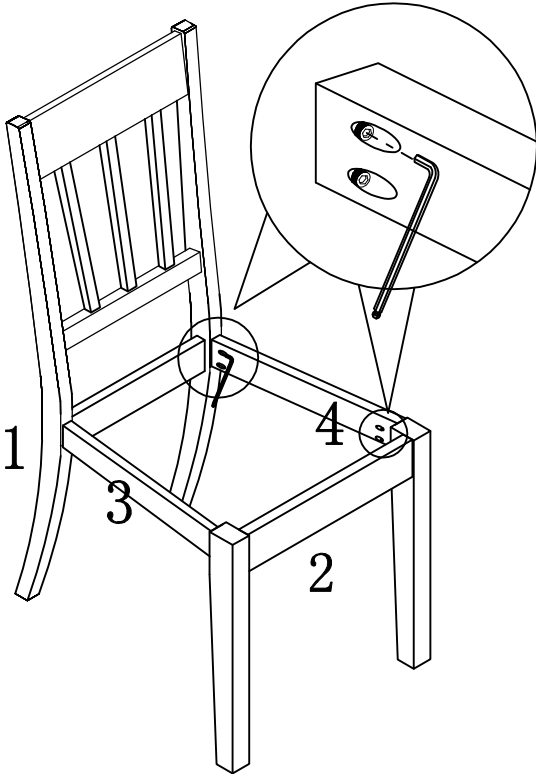
STEP 1

STEP 2



# ASSEMBLY INSTRUCTION

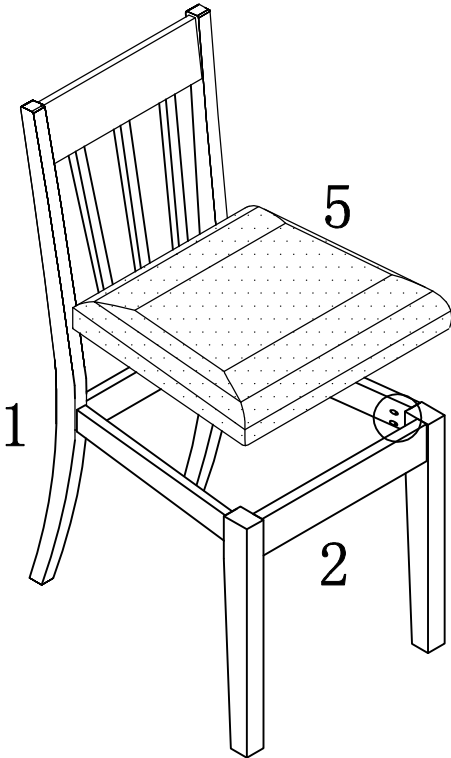
ITEM#:DC14009



X2

STEP 3

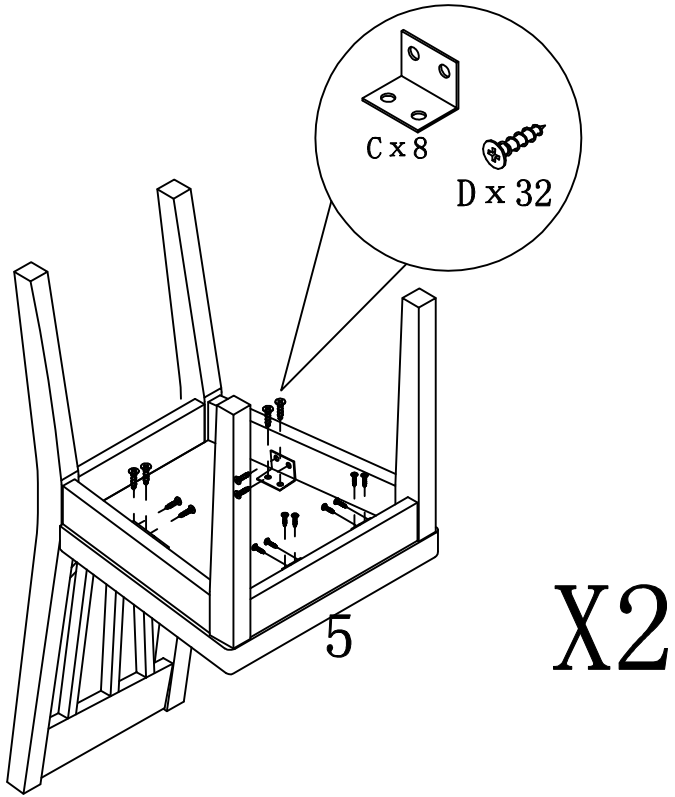
STEP 4



X2

# ASSEMBLY INSTRUCTION

ITEM#: DC14009



STEP 5

STEP 6

