

ASSEMBLY INSTRUCTION

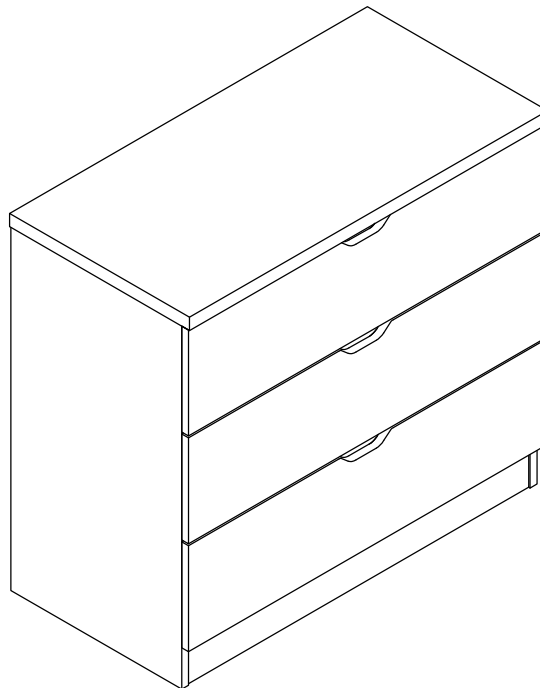
PLEASE READ BEFORE ASSEMBLING!

Tip #1: Make sure you've taken all the pieces and hardware out of its packaging before discarding the box. Assembly on top of flattened box/blanket is recommended.

Tip #2: Using page 2 and/or page 3 of instruction manual make sure all pieces and hardware are accounted for.

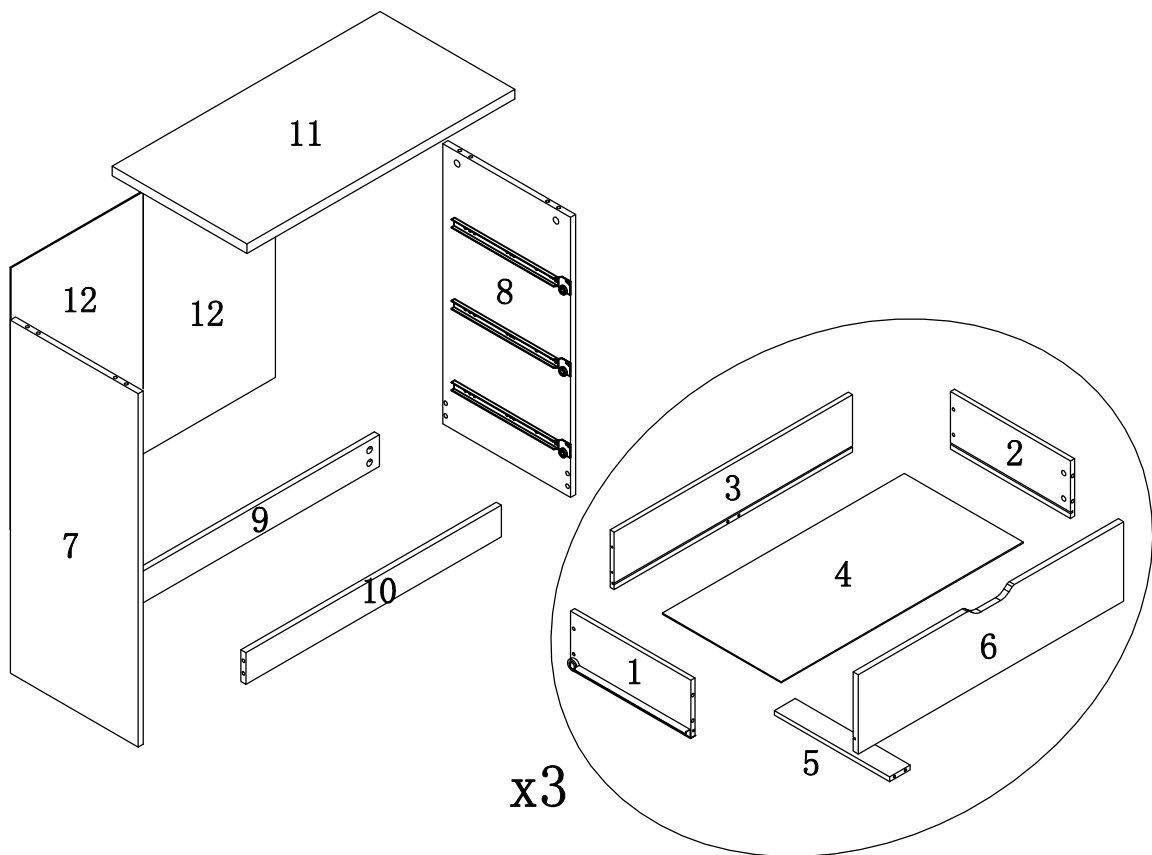
Tip #3: Note position of all holes on each panel during assembly.

ITEM#: K16001-3、 K16002-3、 K16003-3、
K16004-3、 K16005-3



PARTS IDENTIFICATION

ITEM#:K16001-3、K16002-3、K16003-3、
K16004-3、K16005-3

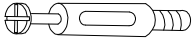

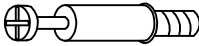



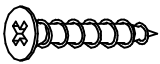



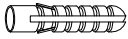


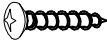



x3

(1)	3pcs	(8)	1pc
(2)	3pcs	(9)	1pc
(3)	3pcs	(10)	1pc
(4)	3pcs	(11)	1pc
(5)	3pcs	(12)	2pcs
(6)	3pcs		
(7)	1pc		

HARDWARE IDENTIFICATION

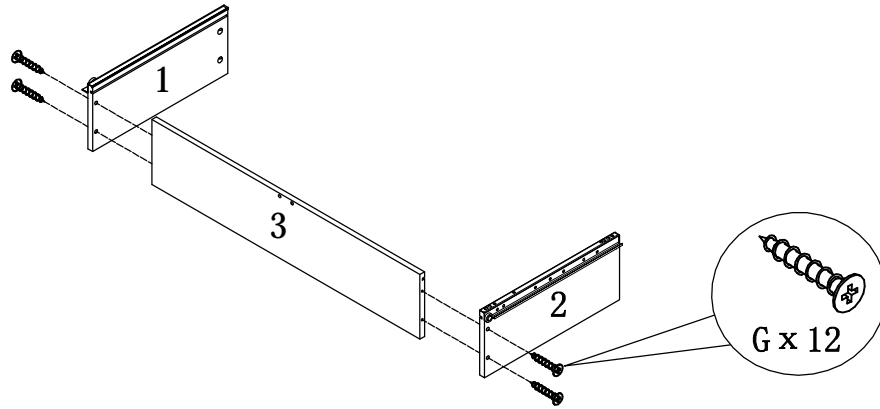
ITEM#:K16001-3、 K16002-3、 K16003-3、
K16004-3、 K16005-3

A		L29	12pcs
B		ø15	12pcs
C		L20	12pcs
D		ø12	12pcs
E		ø8×25	4pcs
F		ø6×30	6pcs
G		ø4 x 30	18pcs
H		Z1016	30pcs
I		ø16	6pcs
J		197x5x1mm	1pc
K		ø8x40mm	1pc
L		12x12x1mm	2pcs
M		ø5x40mm	1pc
N		ø4x25mm	1pc
O		Glue: For securing please apply to wood dowel first before inserting into panel	1pc

ASSEMBLY INSTRUCTION

ITEM#: K16001-3、K16002-3、K16003-3、
K16004-3、K16005-3

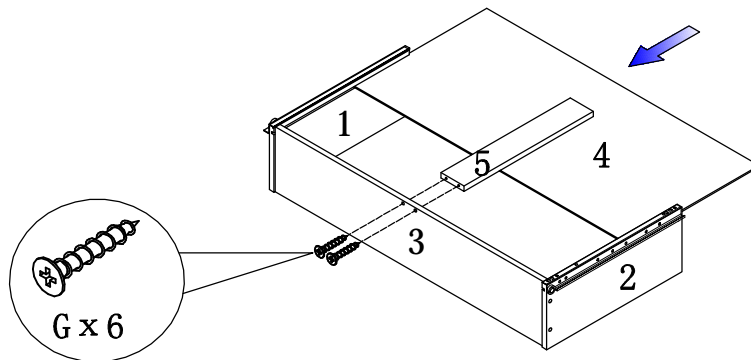
x3



STEP 1

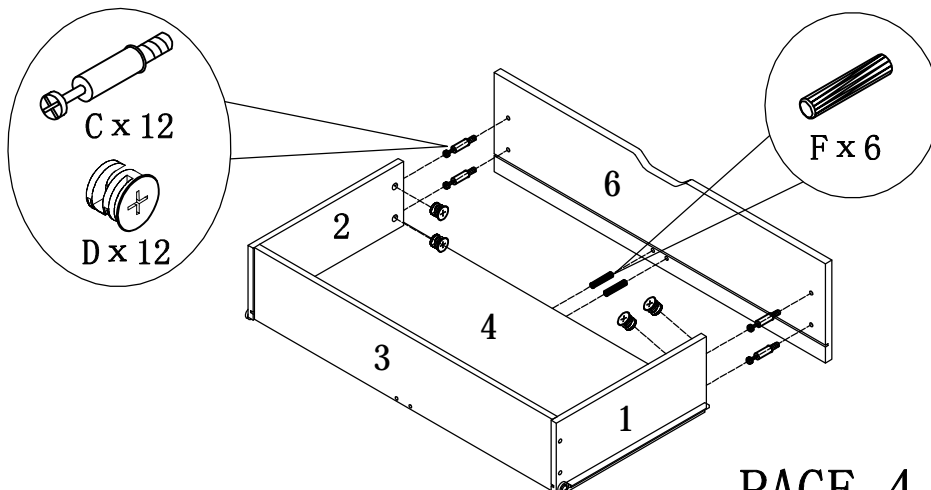
STEP 2

x3



STEP 3

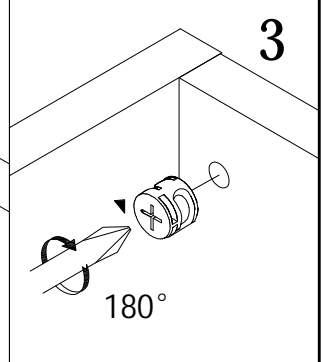
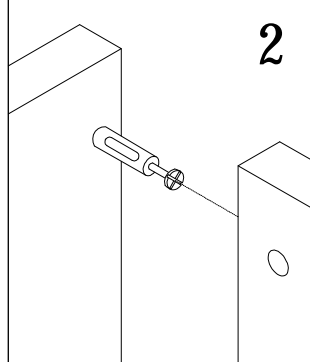
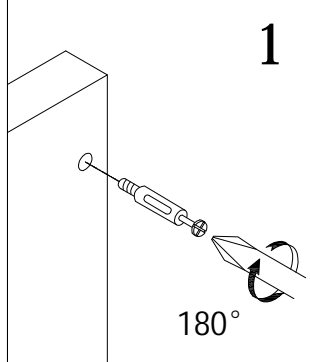
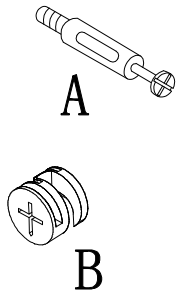
x3



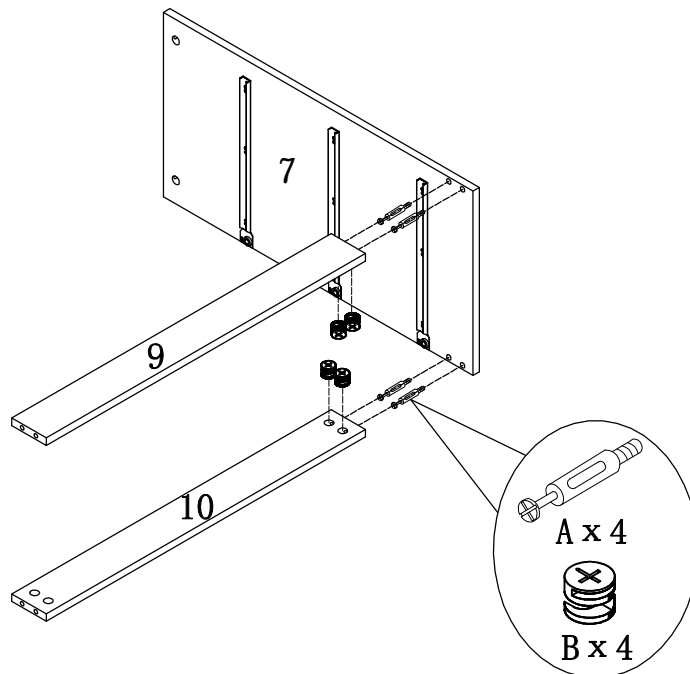
ASSEMBLY INSTRUCTION

ITEM#:K16001-3、K16002-3、K16003-3、
K16004-3、K16005-3

HOW TO

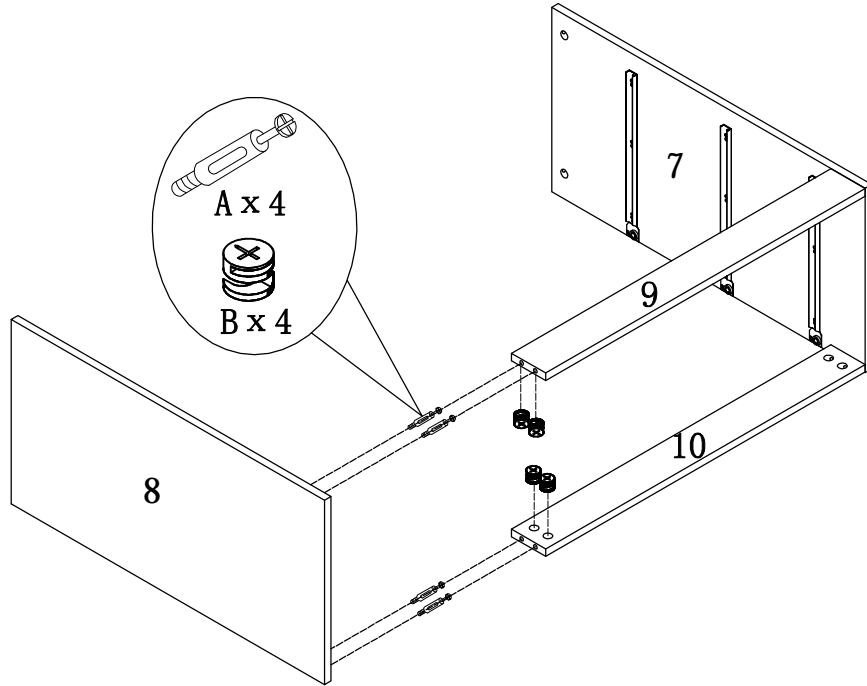


STEP4



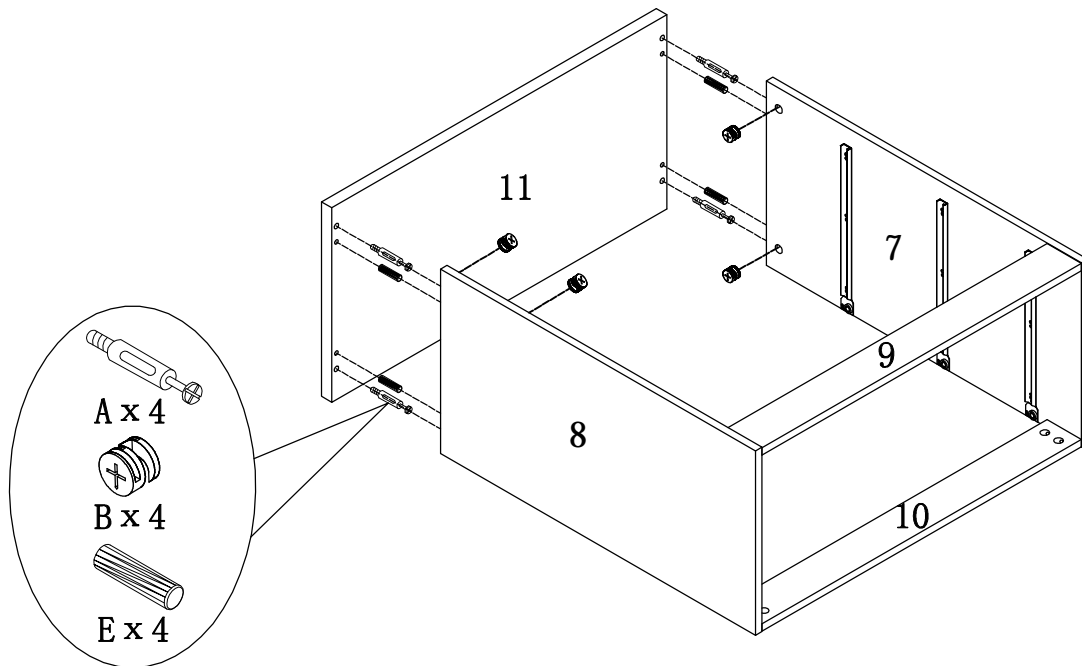
ASSEMBLY INSTRUCTION

ITEM#:K16001-3、K16002-3、K16003-3、
K16004-3、K16005-3



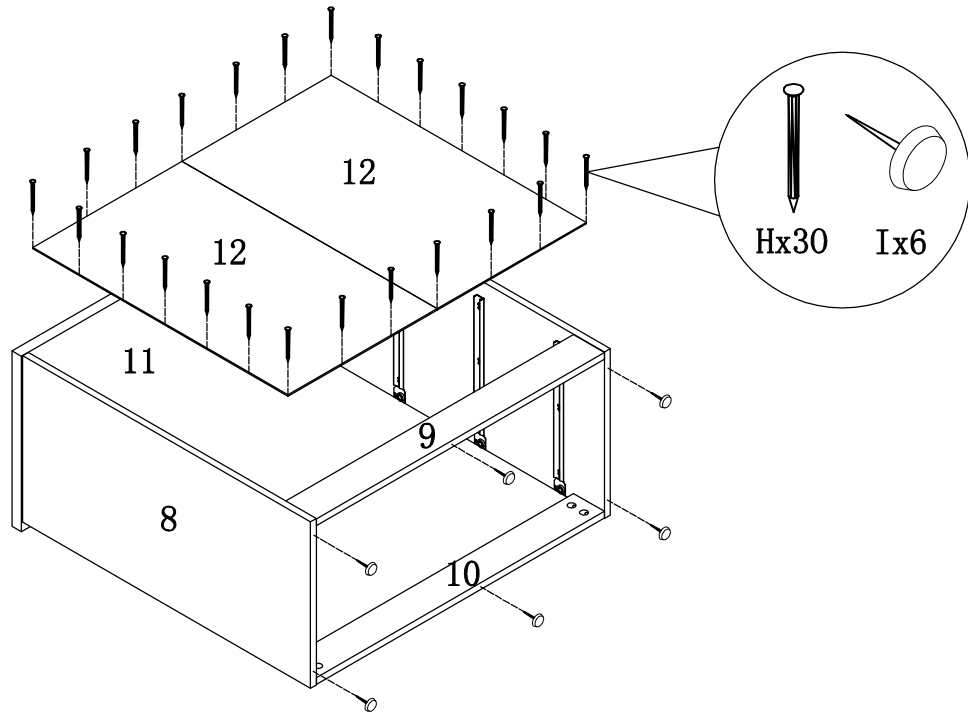
STEP5

STEP6



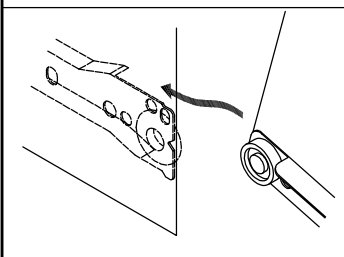
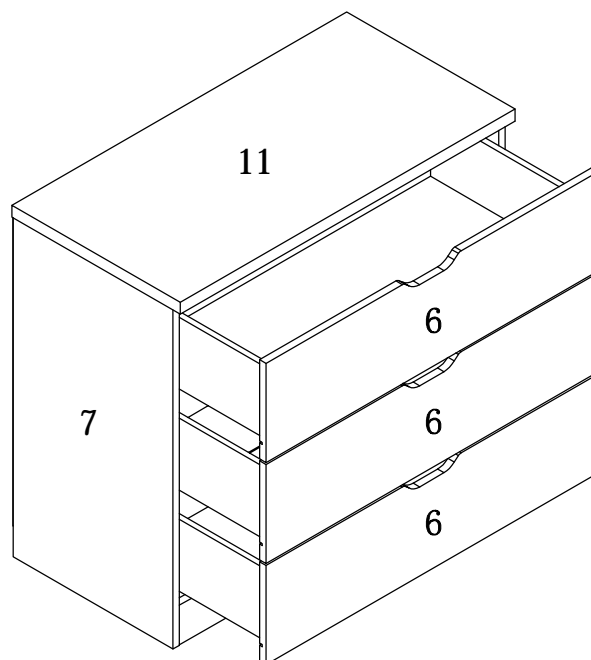
ASSEMBLY INSTRUCTION

ITEM#:K16001-3、K16002-3、K16003-3、
K16004-3、K16005-3



STEP7

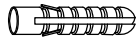
STEP8



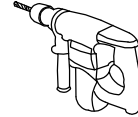
ANTI-TIPPING STRAP INSTRUCTION

HARDWARE (INCLUDED) :

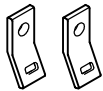
TOOLS NEEDED (NOT INCLUDED) :



DRYWALL ANCHOR $\phi 8 \times 40$ X 1PC



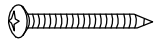
DRILL & DRILL BIT



METAL BRACKETS $12 \times 12 \times 1$ X 2PCS



LIGHT HAMMER



DRYWALL SCREW $\phi 5 \times 40$ X 1PC



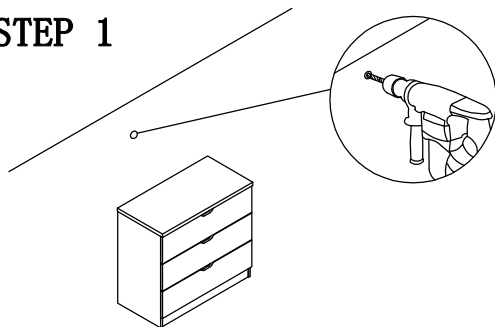
STRAP $197 \times 5 \times 1$ X 1PC



FLATHEAD SCREW $\phi 4 \times 25$ X 1PC

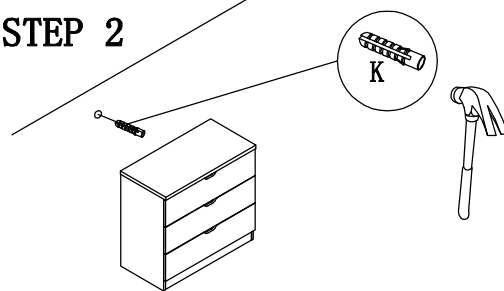
Note: Hardware included only compatible with standard drywalls.

STEP 1



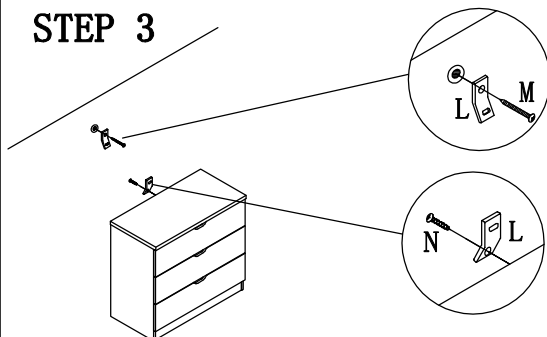
1. Find spot on wall 1" below top of item.
2. Using a drill bit slightly thinner than anchor, drill hole into drywall.

STEP 2



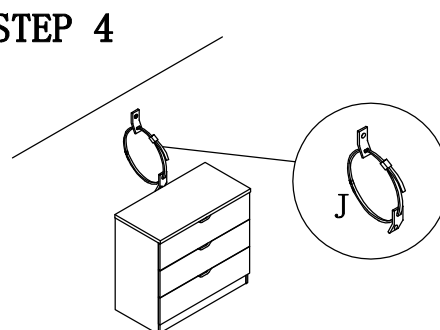
1. Use a light hammer to tap anchor into hole.
2. Anchor should fit snugly. If hole is too small, drill again to increase hole size. Do not force anchor into wall.

STEP 3



1. Insert drywall screw into metal bracket and into drywall anchor.
2. Insert flathead screw into second metal bracket and into back of item along top edge.

STEP 4



1. Insert strap thru bracket attached to wall, then thru bracket on item, and into head of strap.
 2. pull lightly til strap stops.
- Assembly is complete.