

# ASSEMBLY INSTRUCTION

---

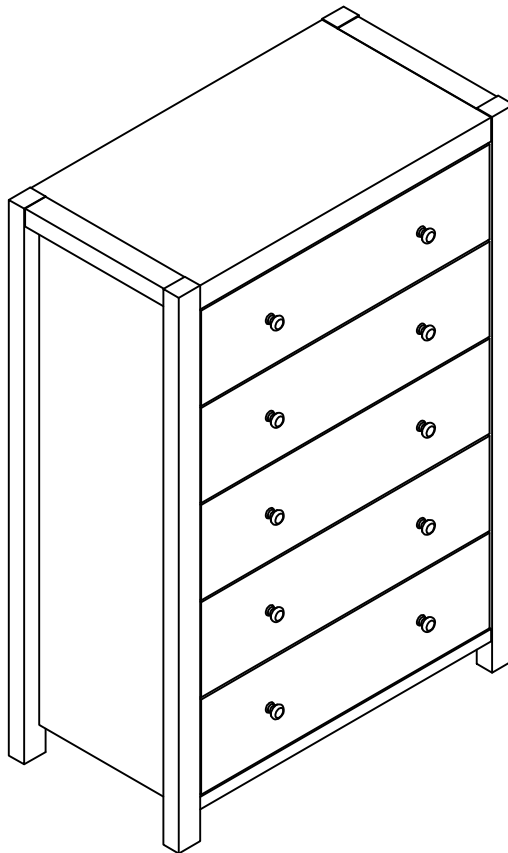
## **PLEASE READ BEFORE ASSEMBLING!**

Tip #1: Make sure you've taken all the pieces and hardware out of its packaging before discarding the box. Assembly on top of flattened box/blanket is recommended.

Tip #2: Using page 2 and/or page 3 of instruction manual make sure all pieces and hardware are accounted for.

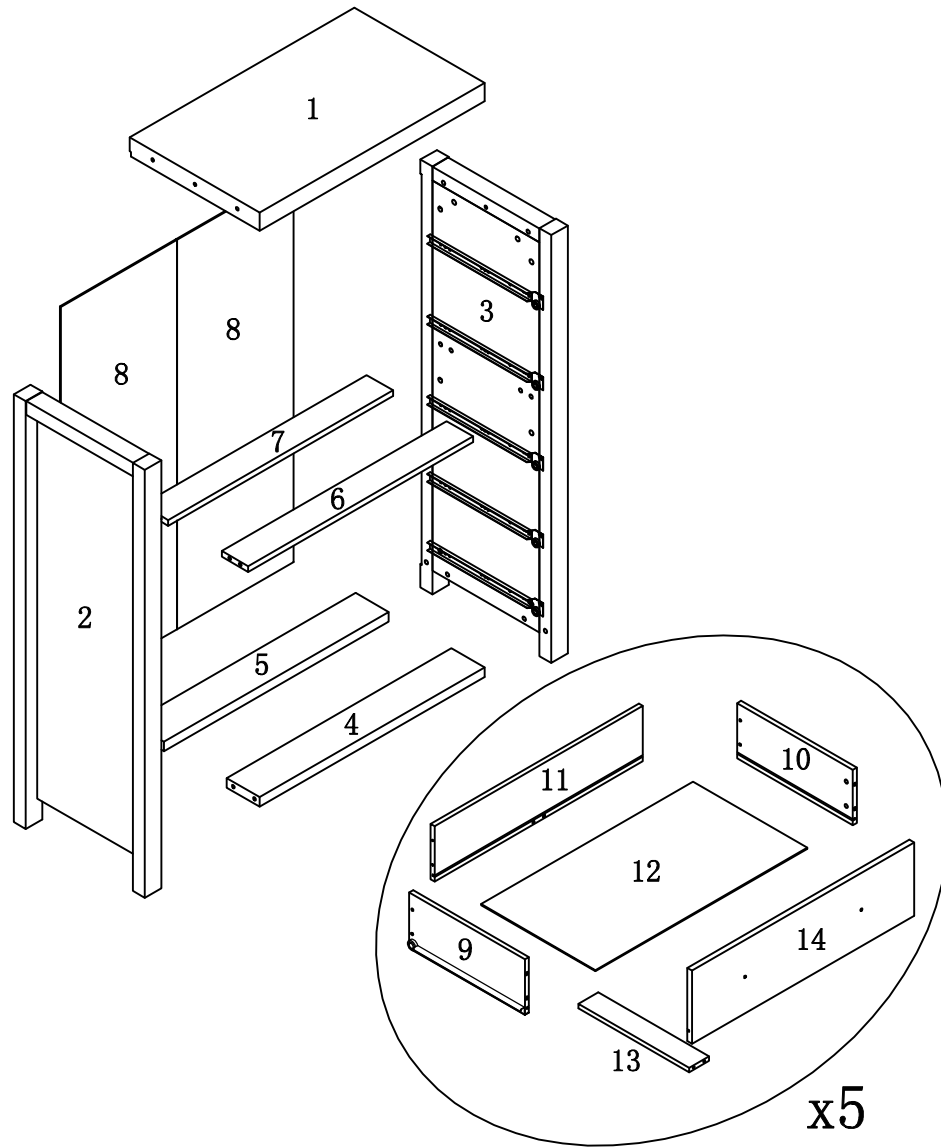
Tip #3: Note position of all holes on each panel during assembly.

ITEM#:K16015 K16016 K16017 K16018



# PARTS IDENTIFICATION



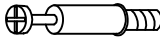

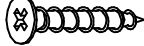









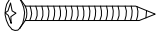
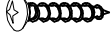

ITEM#:K16015 K16016 K16017 K16018



(1)	1pc	(6)	1pc	(11)	5pcs
(2)	1pc	(7)	1pc	(12)	5pcs
(3)	1pc	(8)	2pcs	(13)	5pcs
(4)	1pc	(9)	5pcs	(14)	5pcs
(5)	1pc	(10)	5pcs		

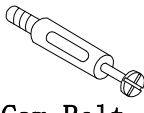

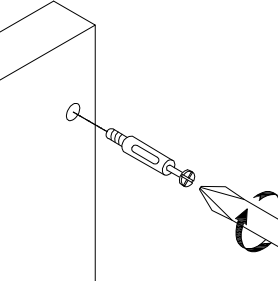
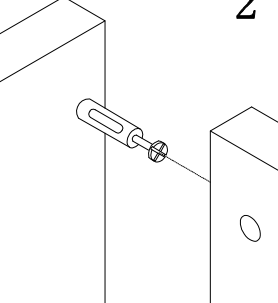
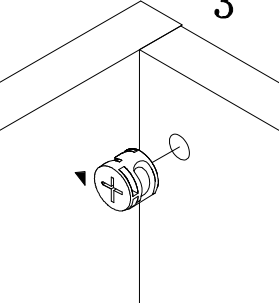
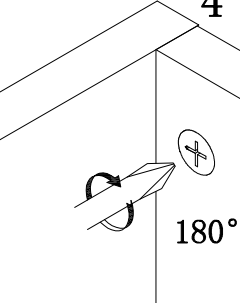
# HARDWARE IDENTIFICATION

ITEM#: K16015 K16016 K16017 K16018

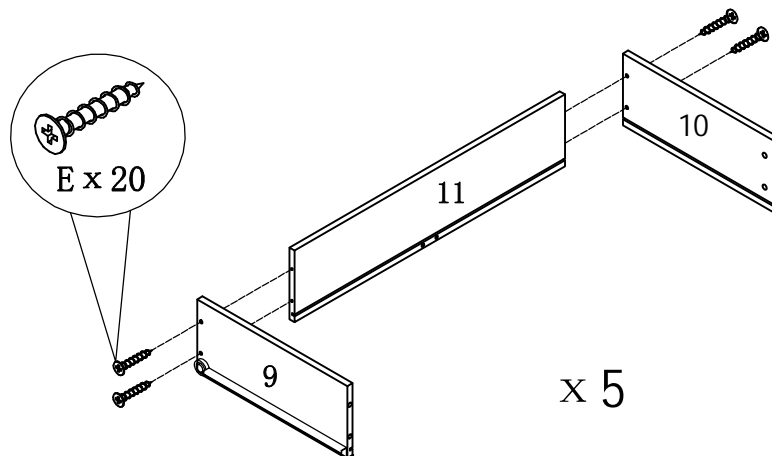
A		L29	20pcs
B		Ø15	20pcs
C		L20	20pcs
D		Ø12	20pcs
E		Ø4x30	30pcs
F		Z1016	38pcs
G		Ø8x25	2pcs
H		Ø6x30	10pcs
I		Ø16	4pcs
J			10pcs
K		M4x22	10pcs
L		197x5x1	1pc
M		Ø8x40	1pc
N		12x12x1	2pcs
O		Ø5x40	1pc
P		Ø4x25	1pc
Q		Glue: For securing please apply to wood dowel first before inserting into panel	1pc

# ASSEMBLY INSTRUCTION

ITEM#:K16015 K16016 K16017 K16018

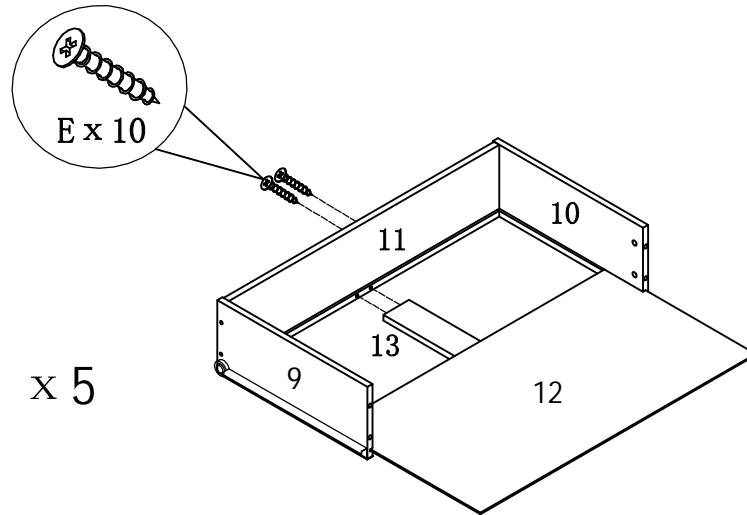
HOW TO	1	2	3	4
 Cam Bolt   Cam Lock				
	1. Screw Cam Bolt into panel.	2. Insert Cam Bolt into bolt hole of joining panel.	3. Insert Cam Lock. arrow facing bolt.	4. Gently turn Cam Lock clockwise to lock position.

## STEP1



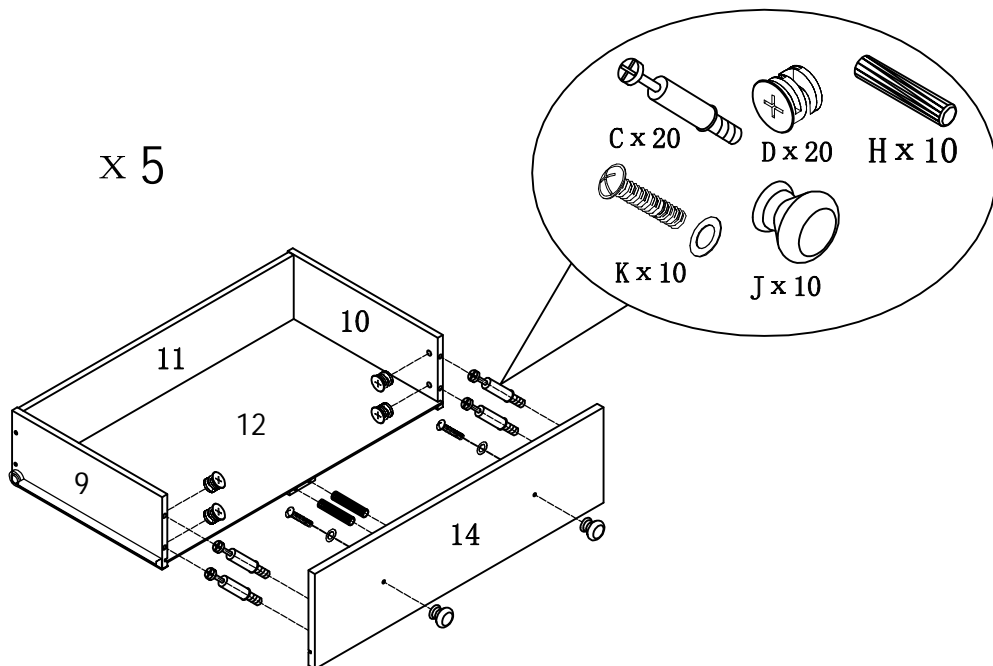
# ASSEMBLY INSTRUCTION

ITEM#:K16015 K16016 K16017 K16018



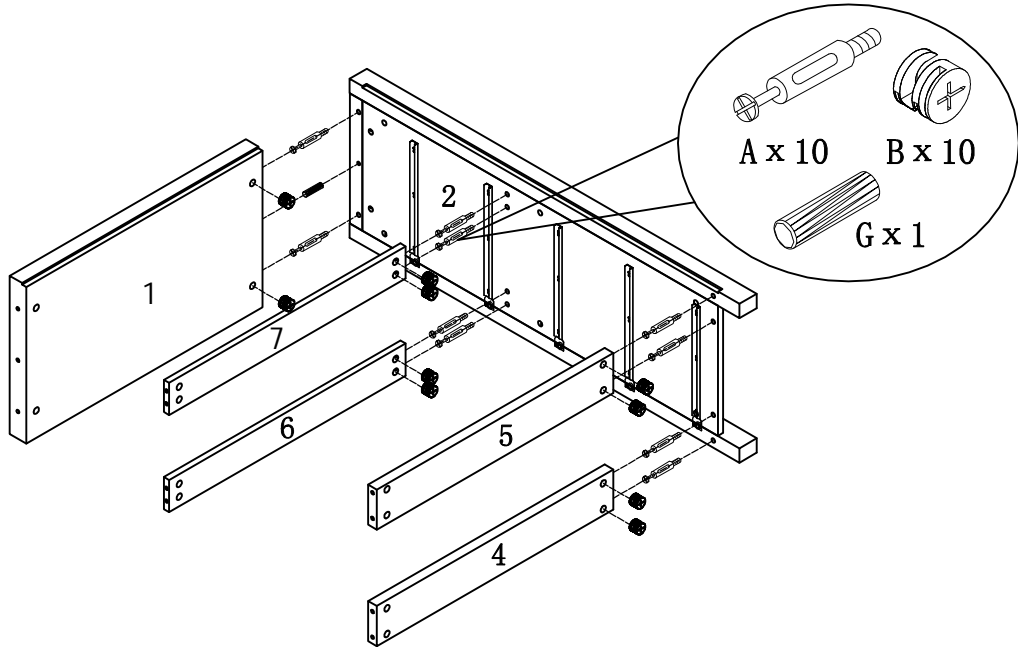
STEP2

STEP3



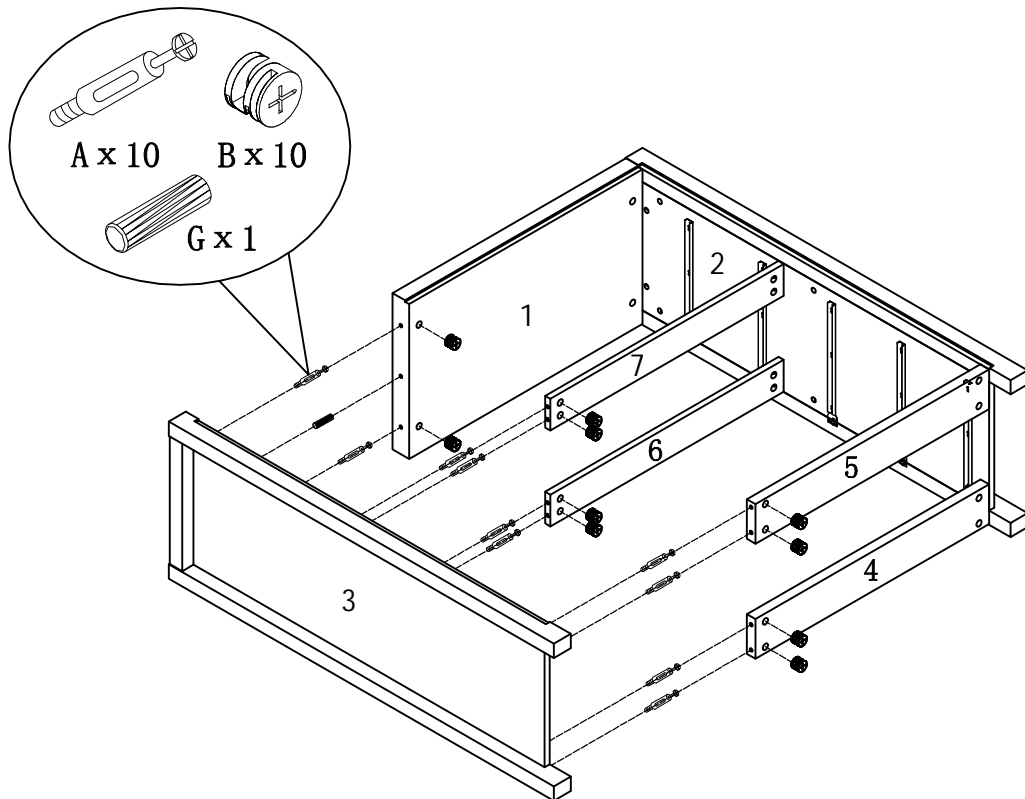
# ASSEMBLY INSTRUCTION

ITEM#:K16015 K16016 K16017 K16018



STEP4

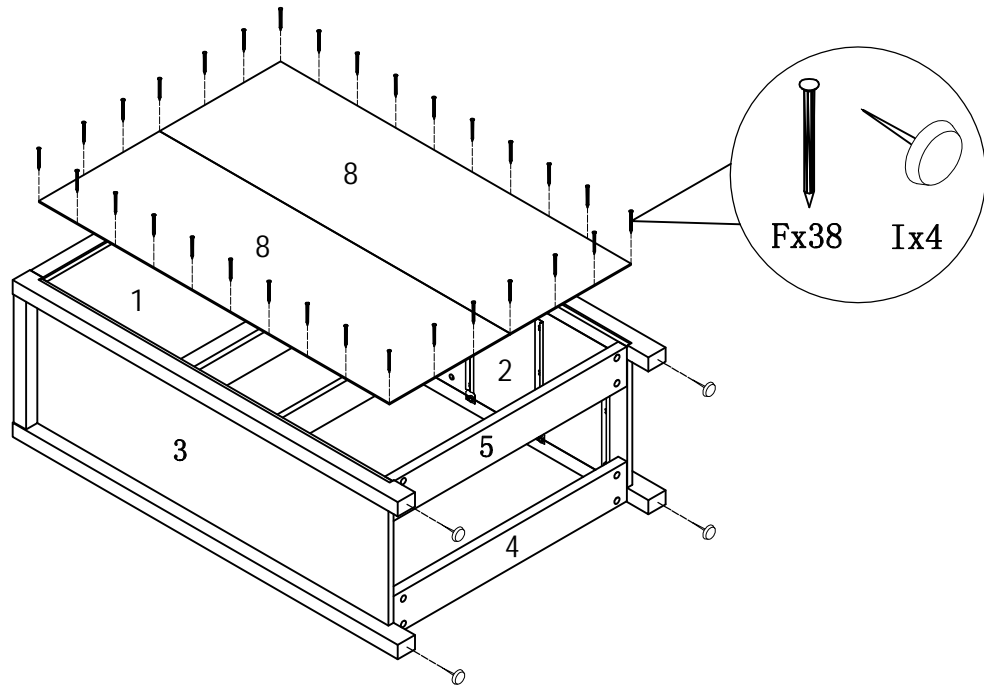
STEP5



PAGE 6 OF 8

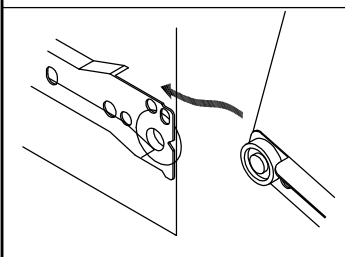
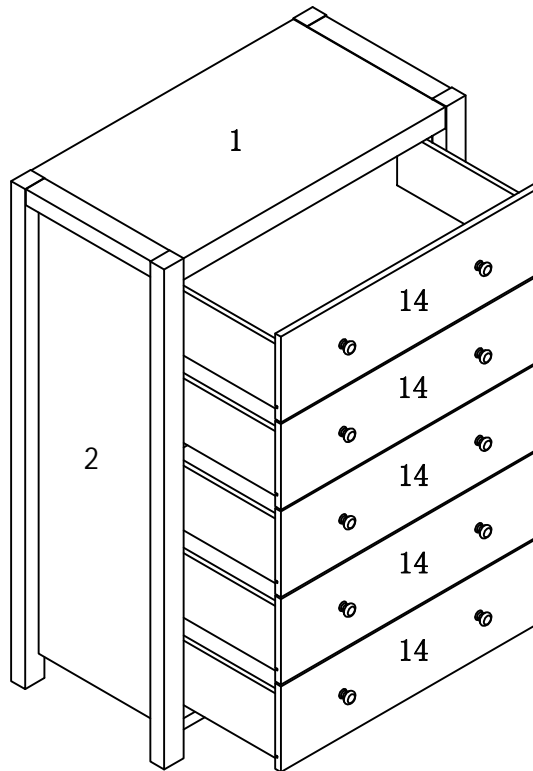
# ASSEMBLY INSTRUCTION

ITEM#:K16015 K16016 K16017 K16018



STEP6

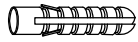
STEP7



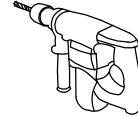
# ANTI-TIPPING STRAP INSTRUCTION

## HARDWARE (INCLUDED) :

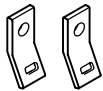
## TOOLS NEEDED ( NOT INCLUDED) :



DRYWALL ANCHOR  $\phi 8 \times 40$  X 1PC



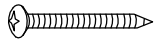
DRILL & DRILL BIT



METAL BRACKETS  $12 \times 12 \times 1$  X 2PCS



LIGHT HAMMER



DRYWALL SCREW  $\phi 5 \times 40$  X 1PC



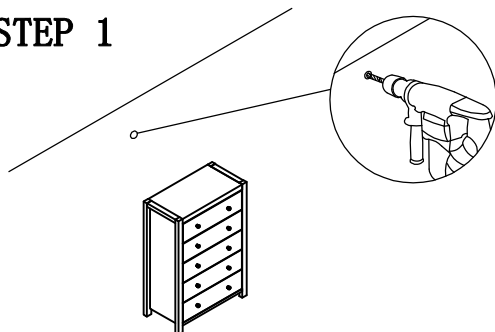
STRAP  $197 \times 5 \times 1$  X 1PC



FLATHEAD SCREW  $\phi 4 \times 25$  X 1PC

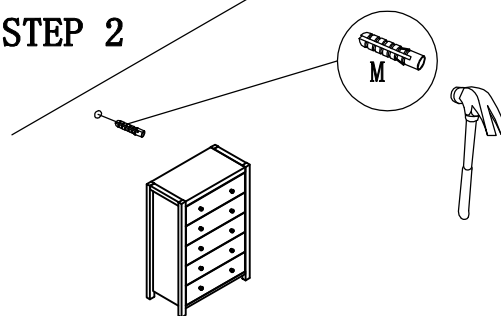
Note: Hardware included only compatible with standard drywalls.

### STEP 1



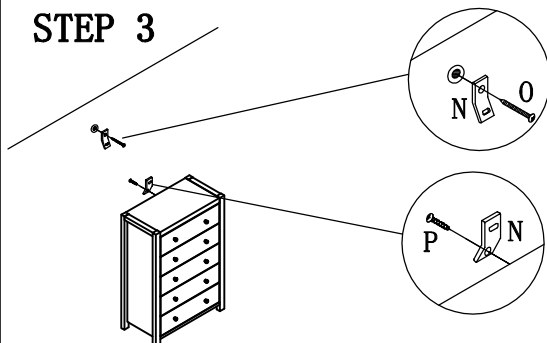
1. Find spot on wall 1" below top of item.
2. Using a drill bit slightly thinner than anchor, drill hole into drywall.

### STEP 2



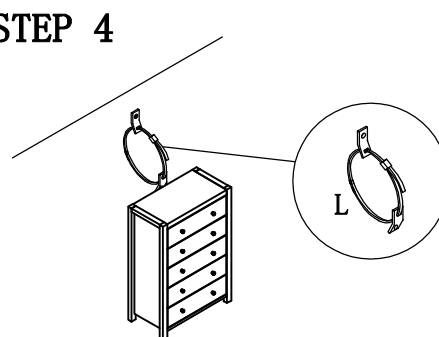
1. Use a light hammer to tap anchor into hole.
2. Anchor should fit snugly. If hole is too small, drill again to increase hole size. Do not force anchor into wall.

### STEP 3



1. Insert drywall screw into metal bracket and into drywall anchor.
2. Insert flathead screw into second metal bracket and into back of item, along top edge.

### STEP 4



1. Insert strap thru bracket attached to wall, then thru bracket on item, and into head of strap.
  2. pull lightly til strap stops.
- Assembly is complete.