

ASSEMBLY INSTRUCTION

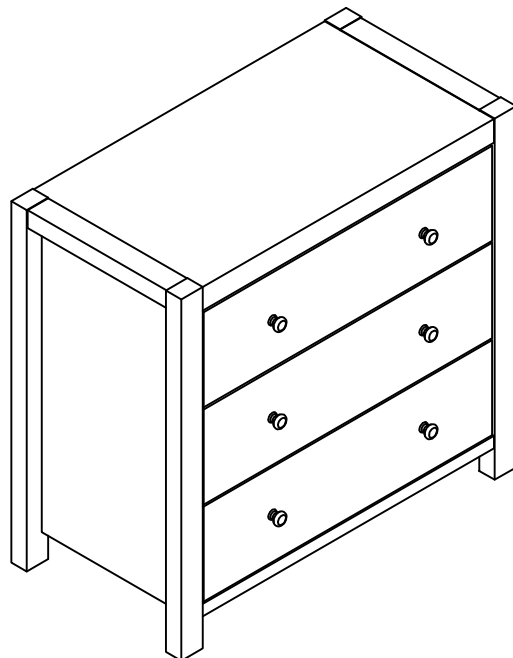
PLEASE READ BEFORE ASSEMBLING!

Tip #1: Make sure you've taken all the pieces and hardware out of its packaging before discarding the box. Assembly on top of flattened box/blanket is recommended.

Tip #2: Using page 2 and/or page 3 of instruction manual make sure all pieces and hardware are accounted for.

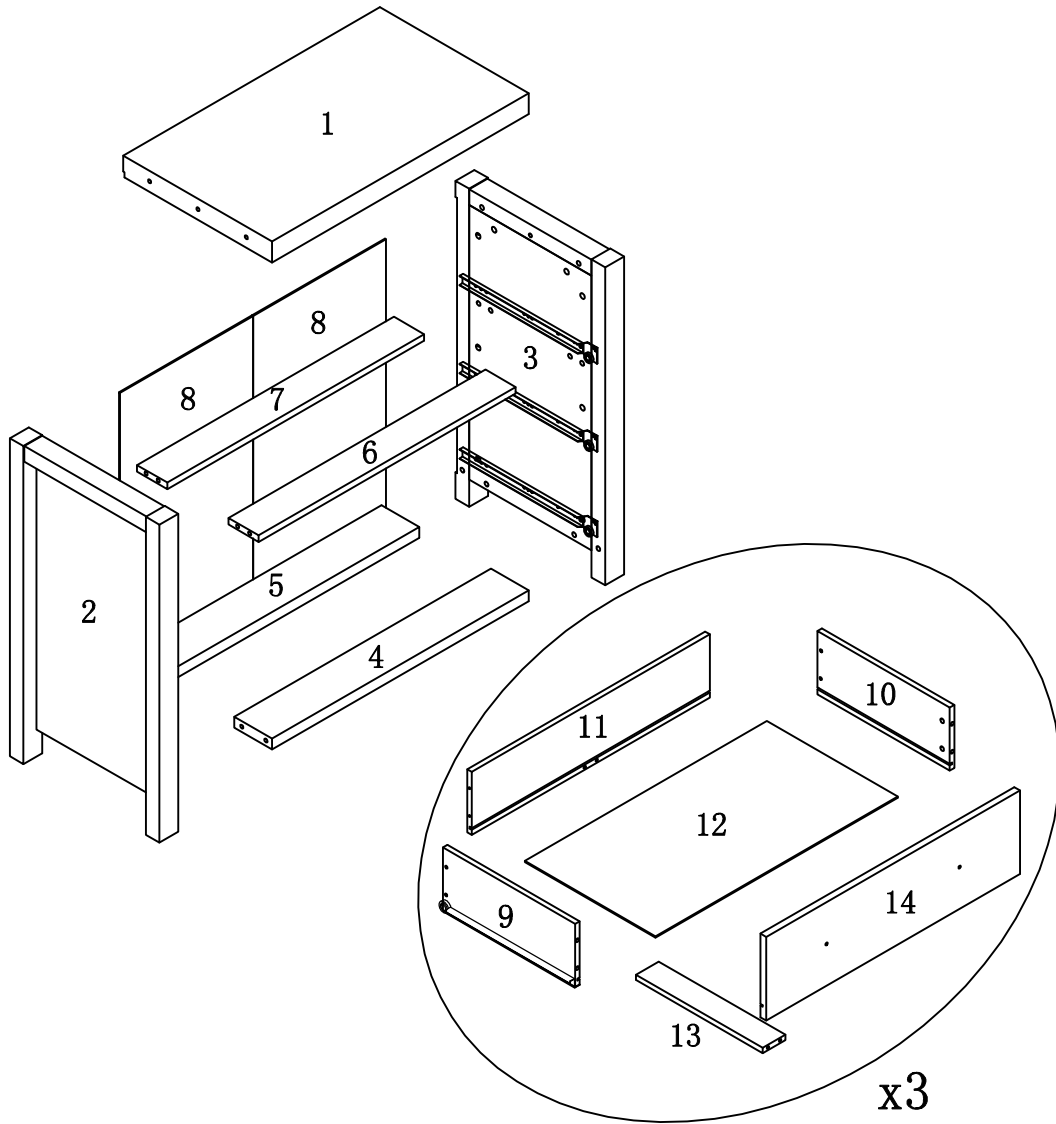
Tip #3: Note position of all holes on each panel during assembly.

ITEM#: K16015-3 K16016-3 K16017-3 K16018-3



PARTS IDENTIFICATION

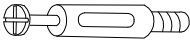

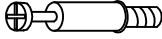









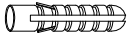

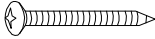
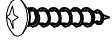

ITEM#:K16015-3 K16016-3 K16017-3 K16018-3



| | | | | | |
|-----|-----|------|------|------|------|
| (1) | 1pc | (6) | 1pc | (11) | 3pcs |
| (2) | 1pc | (7) | 1pc | (12) | 3pcs |
| (3) | 1pc | (8) | 2pcs | (13) | 3pcs |
| (4) | 1pc | (9) | 3pcs | (14) | 3pcs |
| (5) | 1pc | (10) | 3pcs | | |

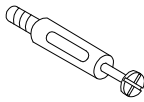

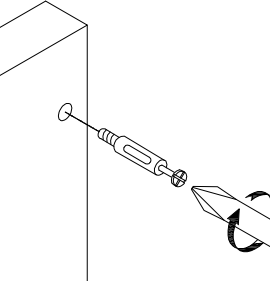
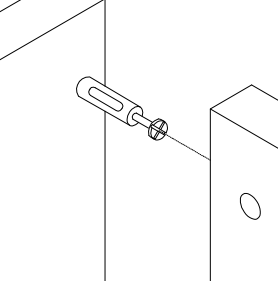
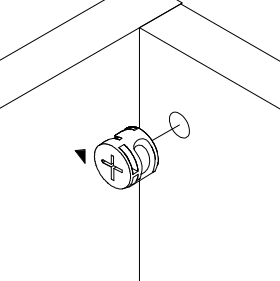
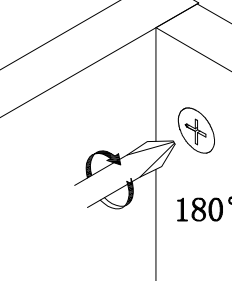
HARDWARE IDENTIFICATION

ITEM#:K16015-3 K16016-3 K16017-3 K16018-3

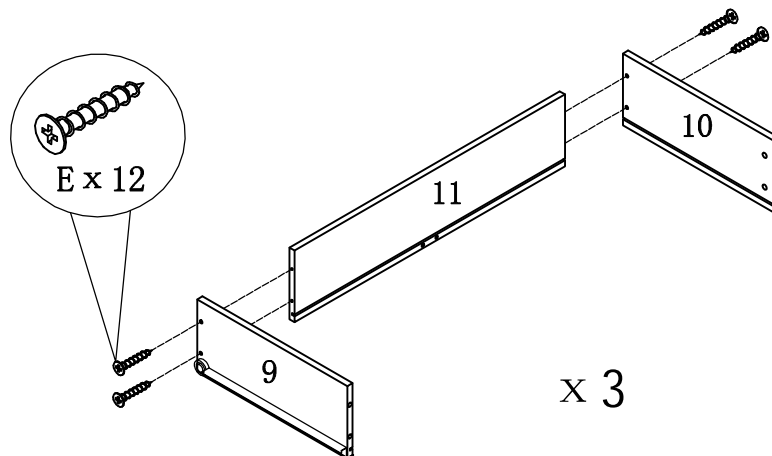
| | | | |
|---|---|---|-------|
| A |  | L29 | 20pcs |
| B |  | Ø15 | 20pcs |
| C |  | L20 | 12pcs |
| D |  | Ø12 | 12pcs |
| E |  | Ø4x30 | 18pcs |
| F |  | Z1016 | 30pcs |
| G |  | Ø8x25 | 2pcs |
| H |  | Ø6x30 | 6pcs |
| I |  | Ø16 | 4pcs |
| J |  | | 6pcs |
| K |  | M4x22 | 6pcs |
| L |  | 197x5x1 | 1pc |
| M |  | Ø8x40 | 1pc |
| N |  | 12x12x1 | 2pcs |
| O |  | Ø5x40 | 1pc |
| P |  | Ø4x25 | 1pc |
| Q |  | Glue: For securing please apply to wood dowel first before inserting into panel | 1pc |

ASSEMBLY INSTRUCTION

ITEM#:K16015-3 K16016-3 K16017-3 K16018-3

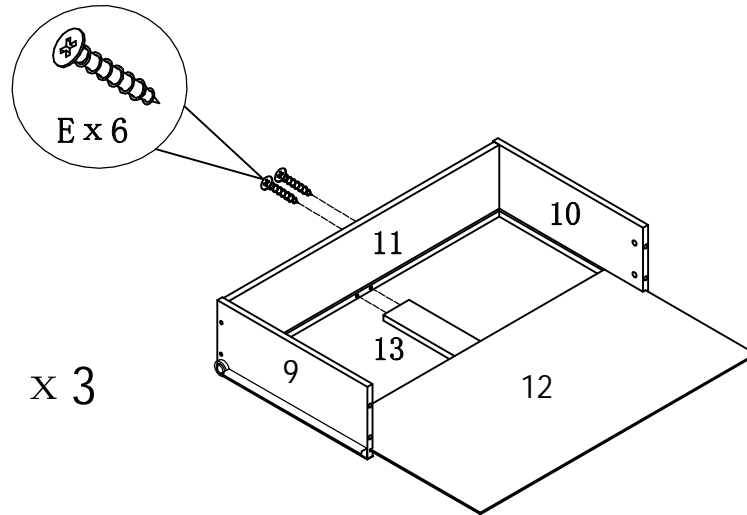
| HOW TO | 1 | 2 | 3 | 4 |
|---|---|---|--|---|
|  <p>Cam Bolt</p>  <p>Cam Lock</p> |  |  |  |  <p>180°</p> |
| | <p>1. Screw Cam Bolt into panel.</p> | <p>2. Insert Cam Bolt into bolt hole of joining panel.</p> | <p>3. Insert Cam Lock. arrow facing bolt.</p> | <p>4. Gently turn Cam Lock clockwise to lock position.</p> |

STEP1



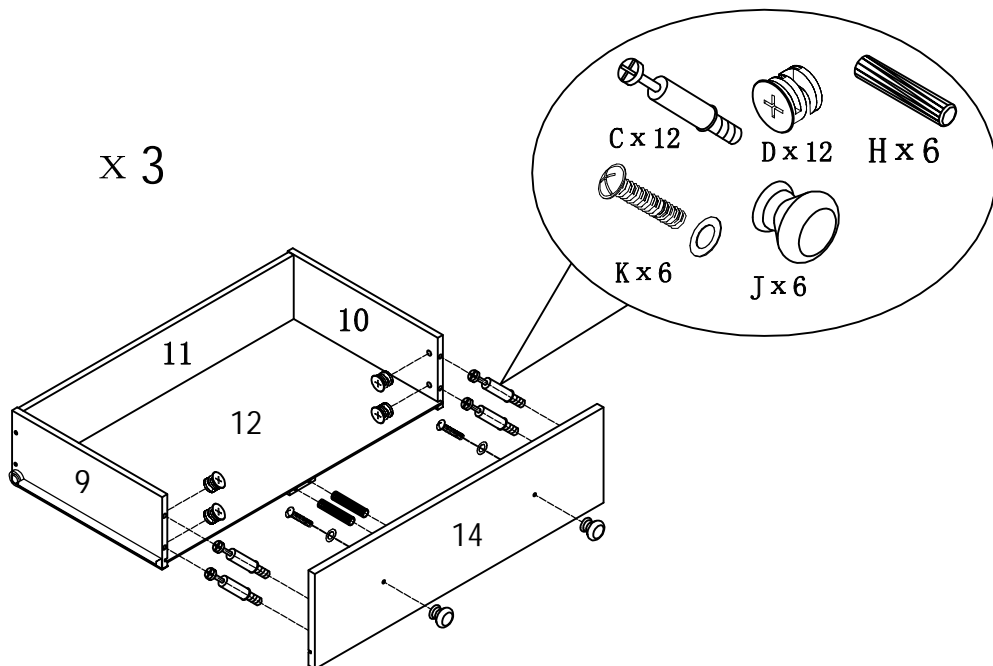
ASSEMBLY INSTRUCTION

ITEM#:K16015-3 K16016-3 K16017-3 K16018-3



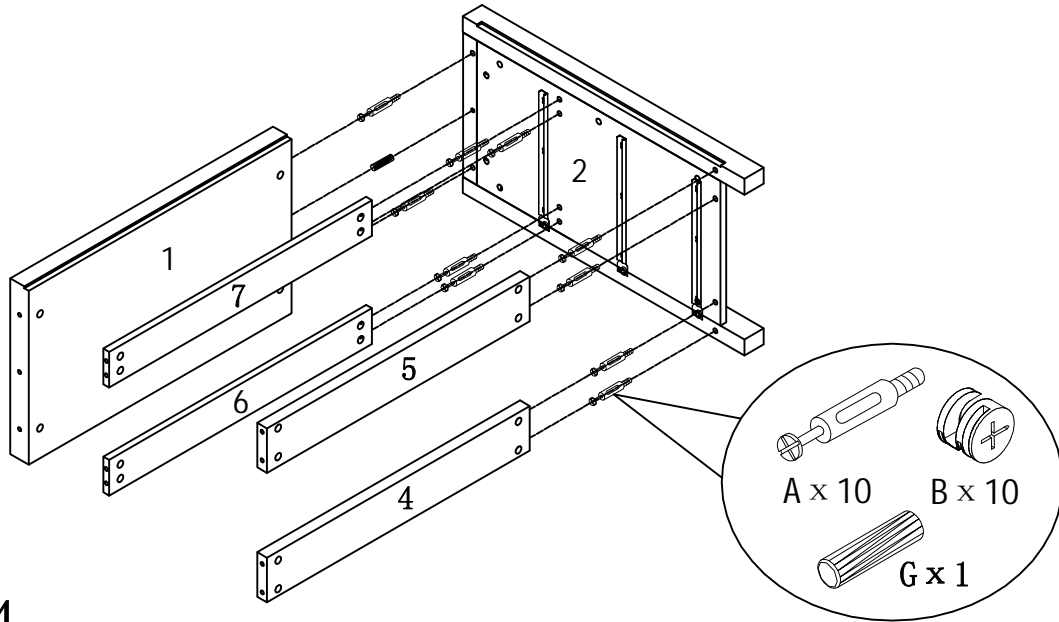
STEP2

STEP3



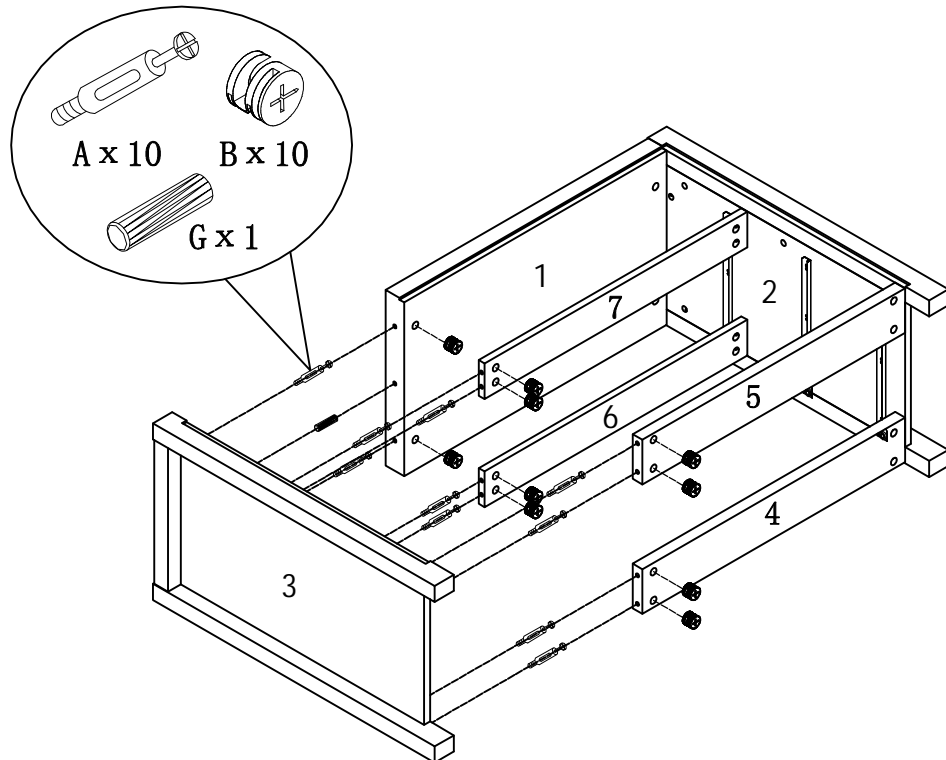
ASSEMBLY INSTRUCTION

ITEM#:K16015-3 K16016-3 K16017-3 K16018-3



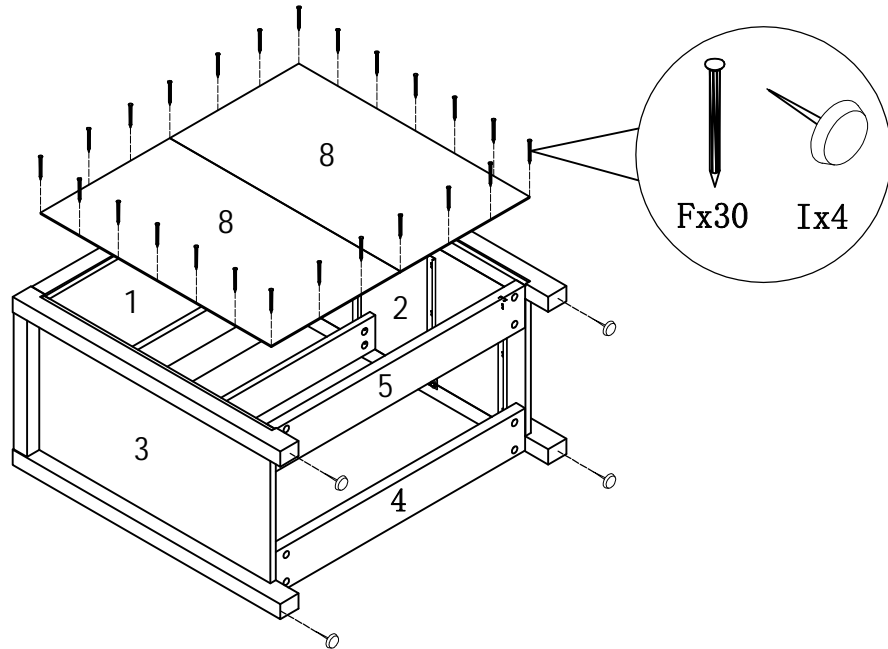
STEP4

STEP5



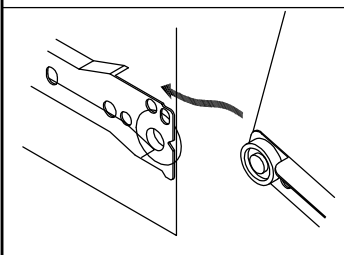
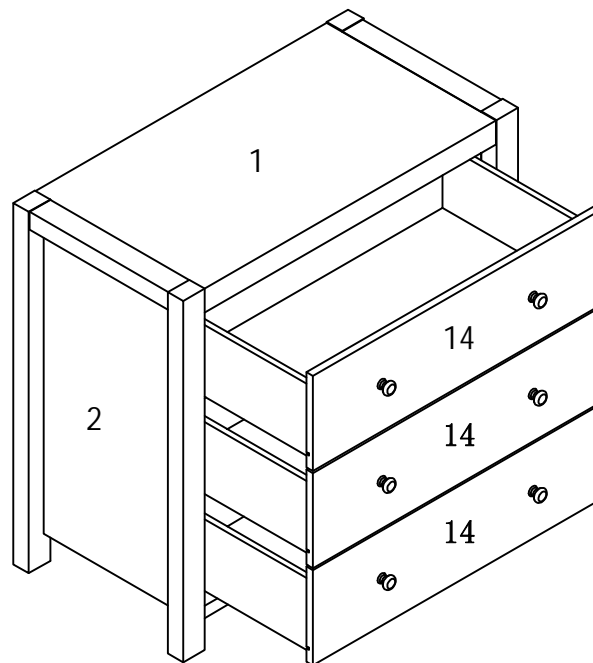
ASSEMBLY INSTRUCTION

ITEM#:K16015-3 K16016-3 K16017-3 K16018-3



STEP6

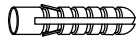
STEP7



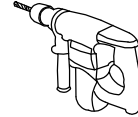
ANTI-TIPPING STRAP INSTRUCTION

HARDWARE (INCLUDED) :

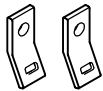
TOOLS NEEDED (NOT INCLUDED) :



DRYWALL ANCHOR $\phi 8 \times 40$ X 1PC



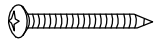
DRILL & DRILL BIT



METAL BRACKETS $12 \times 12 \times 1$ X 2PCS



LIGHT HAMMER



DRYWALL SCREW $\phi 5 \times 40$ X 1PC



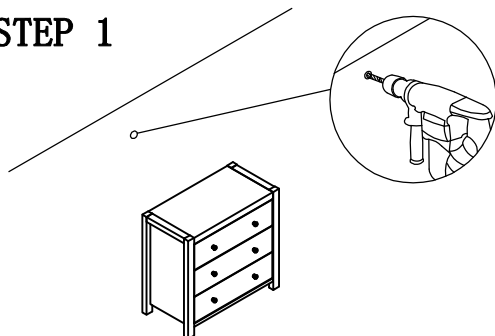
STRAP $197 \times 5 \times 1$ X 1PC



FLATHEAD SCREW $\phi 4 \times 25$ X 1PC

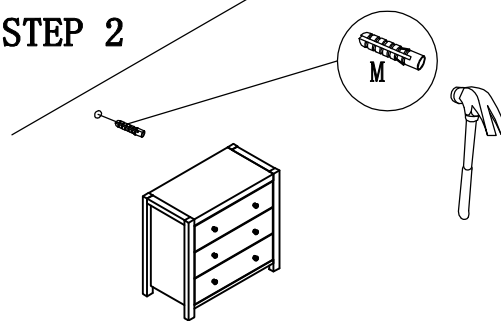
Note: Hardware included only compatible with standard drywalls.

STEP 1



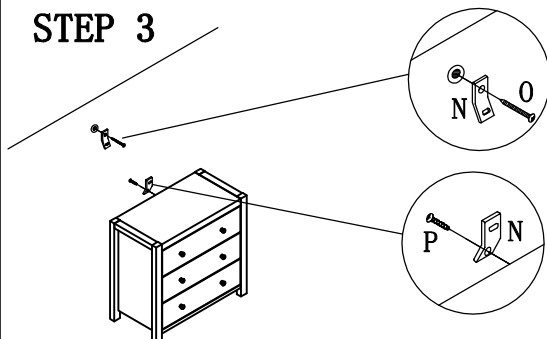
1. Find spot on wall 1" below top of item.
2. Using a drill bit slightly thinner than anchor, drill hole into drywall.

STEP 2



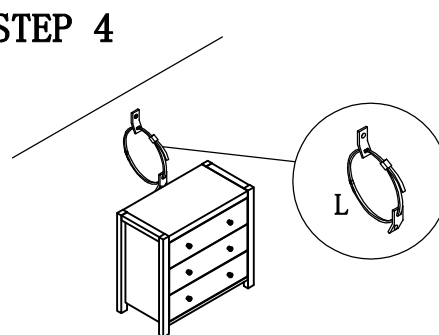
1. Use a light hammer to tap anchor into hole.
2. Anchor should fit snugly. If hole is too small, drill again to increase hole size. Do not force anchor into wall.

STEP 3



1. Insert drywall screw into metal bracket and into drywall anchor.
2. Insert flathead screw into second metal bracket and into back of item, along top edge.

STEP 4



1. Insert strap thru bracket attached to wall, then thru bracket on item, and into head of strap.
 2. pull lightly til strap stops.
- Assembly is complete.