

ASSEMBLY INSTRUCTION

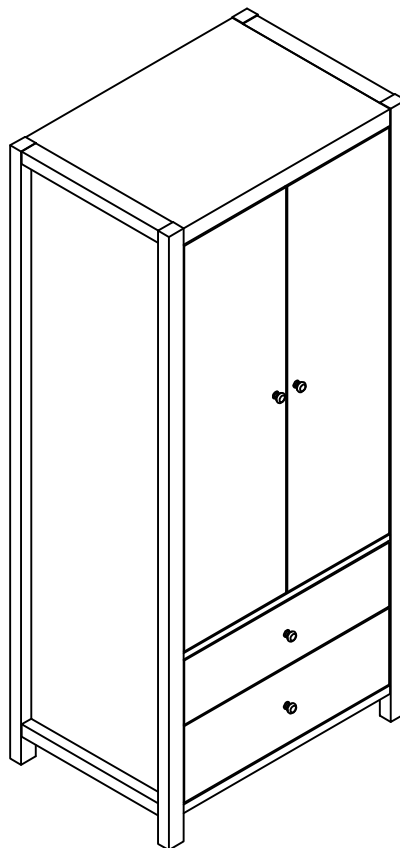
PLEASE READ BEFORE ASSEMBLING!

Tip #1: Make sure you've taken all the pieces and hardware out of its packaging before discarding the box. Assembly on top of flattened box/blanket is recommended.

Tip #2: Using page 2 and/or page 3 of instruction manual make sure all pieces and hardware are accounted for.

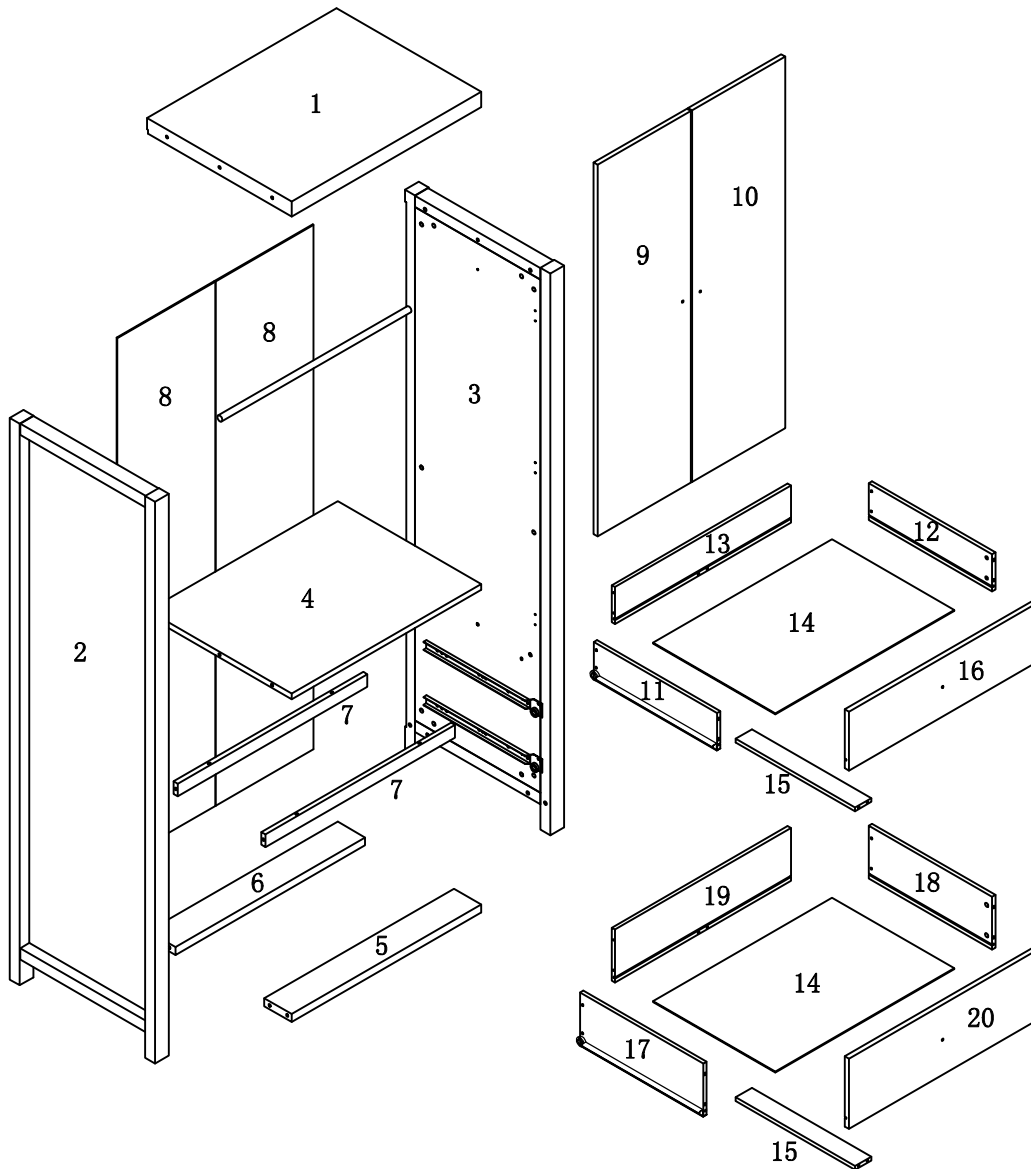
Tip #3: Note position of all holes on each panel during assembly.

ITEM#:K16019 K16020 K16021 K16022



PARTS IDENTIFICATION



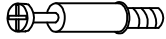




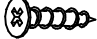
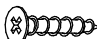
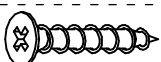
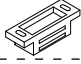


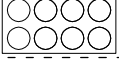



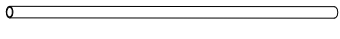

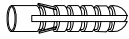

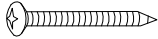
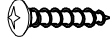

ITEM#:K16019 K16020 K16021 K16022



| | | | | | |
|-----|------|------|------|------|------|
| (1) | 1pc | (8) | 2pcs | (15) | 2pcs |
| (2) | 1pc | (9) | 1pc | (16) | 1pc |
| (3) | 1pc | (10) | 1pc | (17) | 1pc |
| (4) | 1pc | (11) | 1pc | (18) | 1pc |
| (5) | 1pc | (12) | 1pc | (19) | 1pc |
| (6) | 1pc | (13) | 1pc | (20) | 1pc |
| (7) | 2pcs | (14) | 2pcs | | |

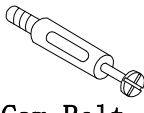

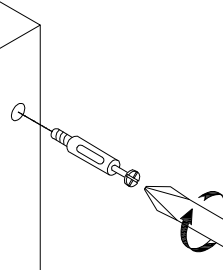
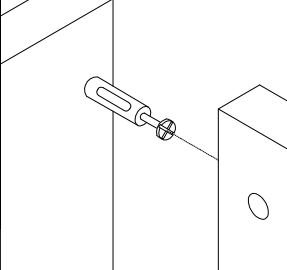
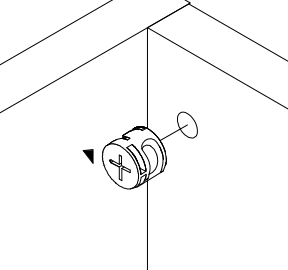
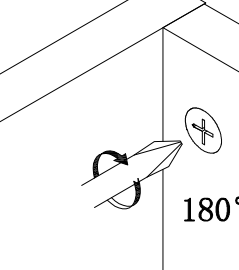
HARDWARE IDENTIFICATION

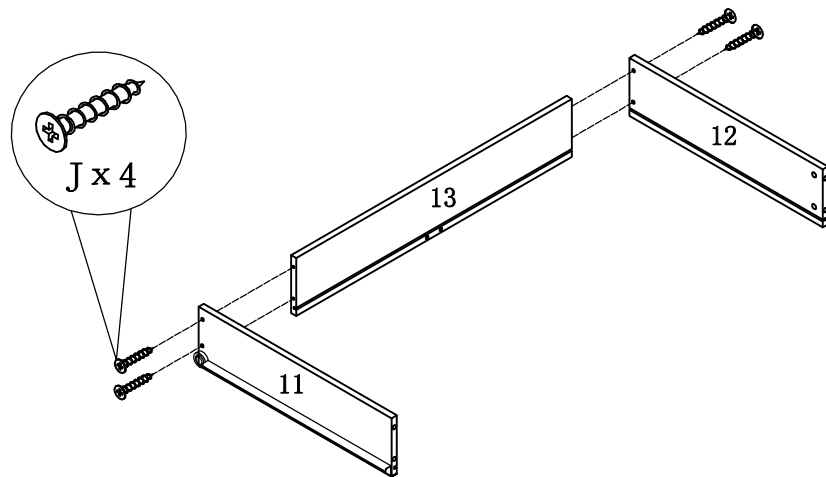
ITEM#: K16019 K16020 K16021 K16022

| | | | |
|---|---|---|-------|
| A |  | L29 | 16pcs |
| B |  | Ø15 | 16pcs |
| C |  | L20 | 8pcs |
| D |  | Ø12 | 8pcs |
| E |  | Ø6x30 | 4pcs |
| F |  | Ø8x25 | 12pcs |
| G |  | | 2pcs |
| H |  | Ø4 x 16 | 28pcs |
| I |  | Ø3 x 16 | 4pcs |
| J |  | Ø4 x 30 | 12pcs |
| K |  | | 2pcs |
| L |  | | 4pcs |
| M |  | M4x22 | 4pcs |
| N |  | Ø20 | 12pcs |
| O |  | Z1016 | 50pcs |
| P |  | Ø16 | 4pcs |
| Q |  | 301C | 6pcs |
| R |  | L=685 | 1pc |
| S |  | 197x5x1 | 1pc |
| T |  | Ø8x40 | 1pc |
| U |  | 12x12x1 | 2pcs |
| V |  | Ø5x40 | 1pc |
| W |  | Ø4x25 | 1pc |
| X |  | Glue: For securing please apply to wood dowel first before inserting into panel | 1pc |

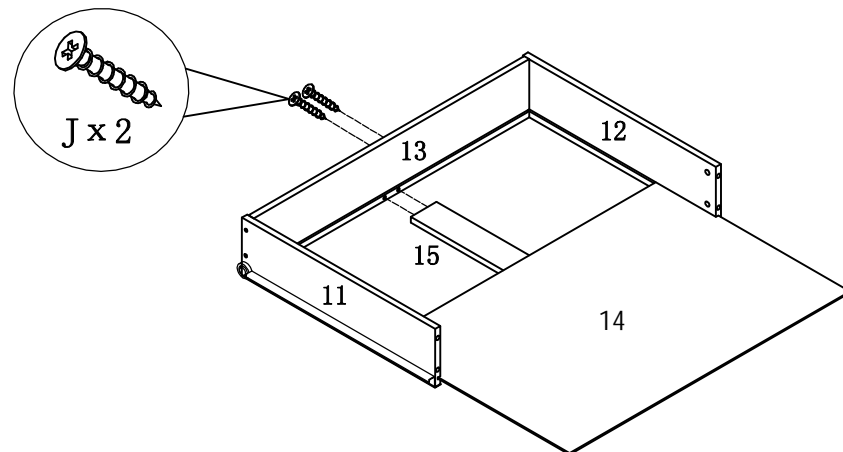
ASSEMBLY INSTRUCTION

ITEM#:K16019 K16020 K16021 K16022

| HOW TO | 1 | 2 | 3 | 4 |
|--|---|---|--|---|
|  Cam Bolt  Cam Lock |  |  |  |  180° |
| | 1. Screw Cam Bolt into panel. | 2. Insert Cam Bolt into bolt hole of joining panel. | 3. Insert Cam Lock. arrow facing bolt. | 4. Gently turn Cam Lock clockwise to lock position. |



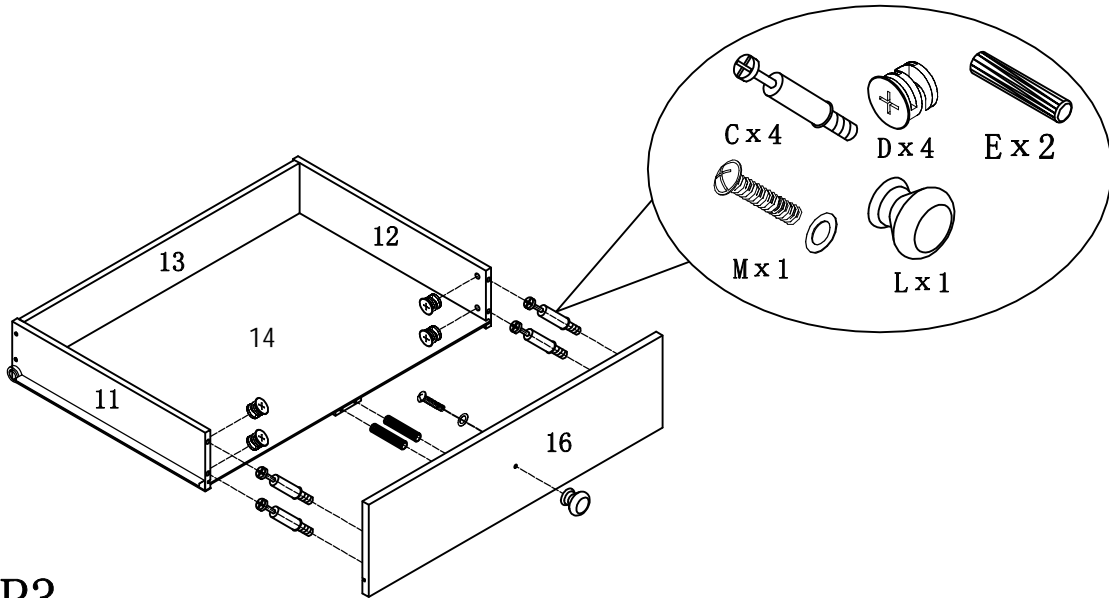
STEP1



STEP2

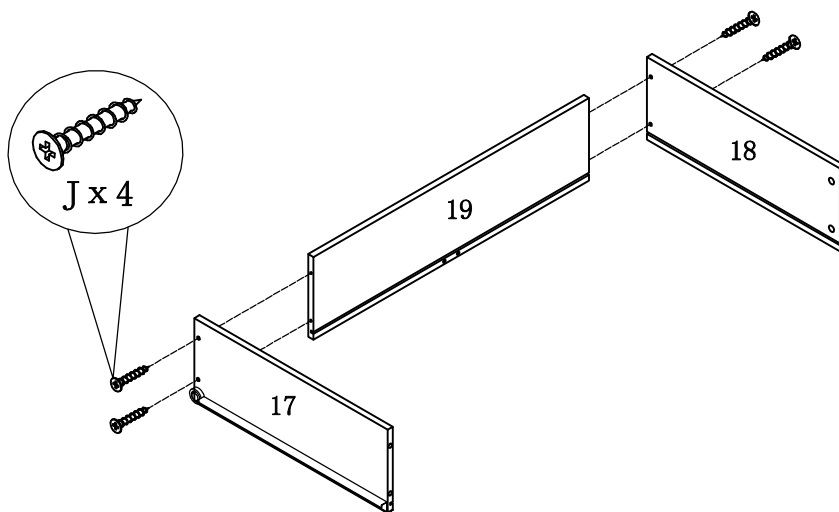
ASSEMBLY INSTRUCTION

ITEM#:K16019 K16020 K16021 K16022



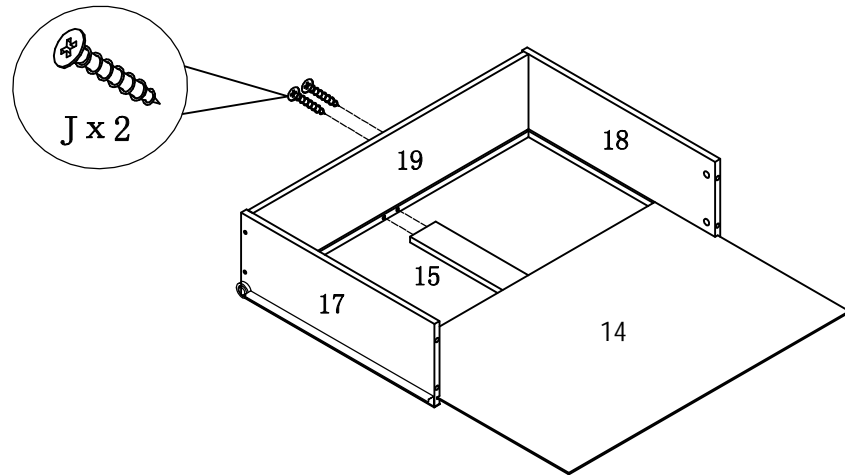
STEP3

STEP4



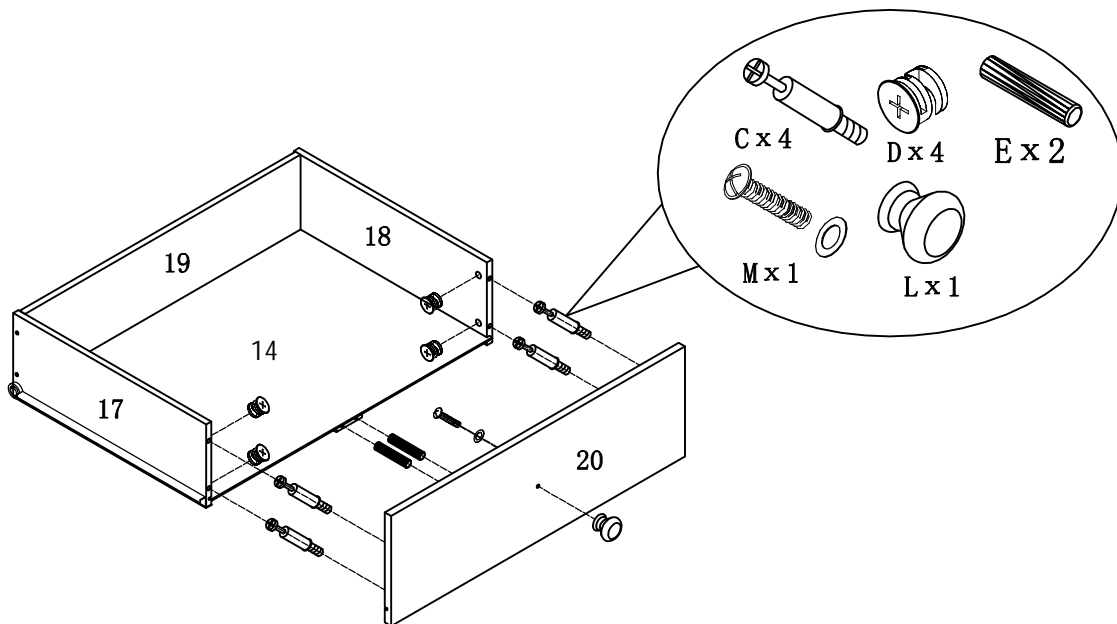
ASSEMBLY INSTRUCTION

ITEM#:K16019 K16020 K16021 K16022



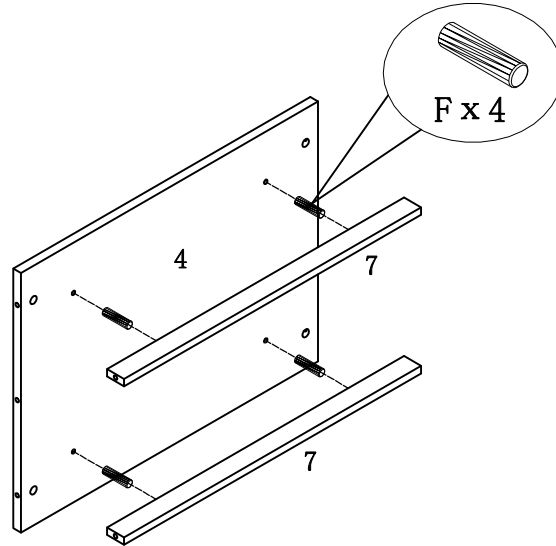
STEP5

STEP6



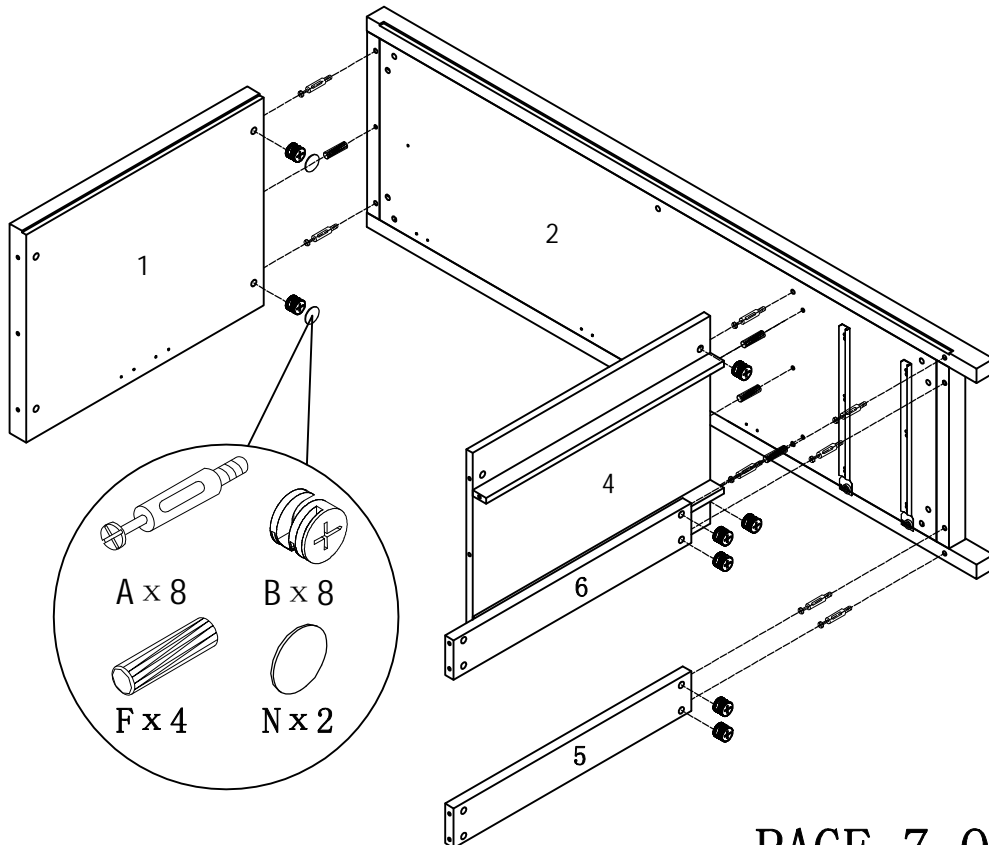
ASSEMBLY INSTRUCTION

ITEM#:K16019 K16020 K16021 K16022



STEP7

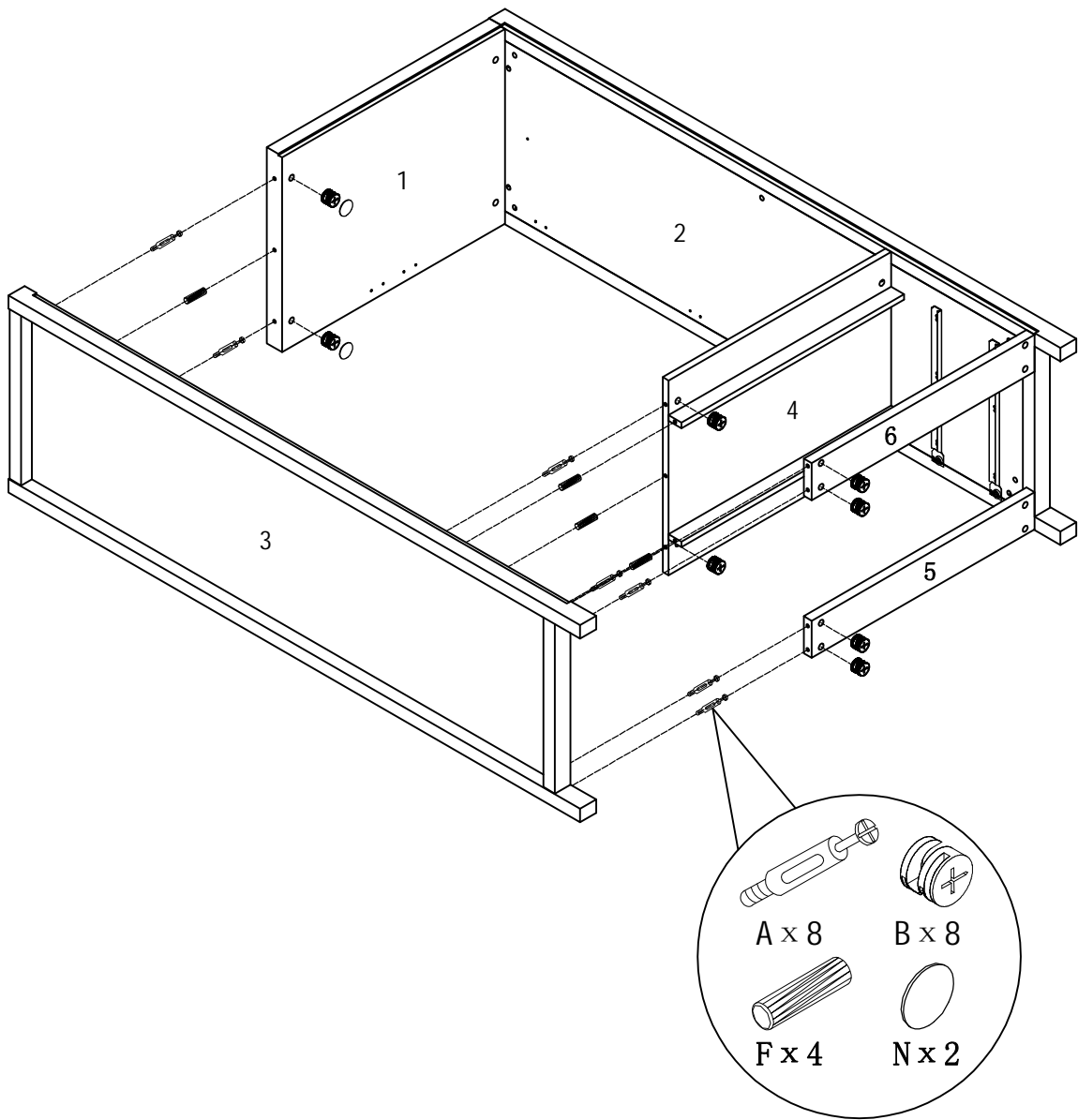
STEP8



ASSEMBLY INSTRUCTION

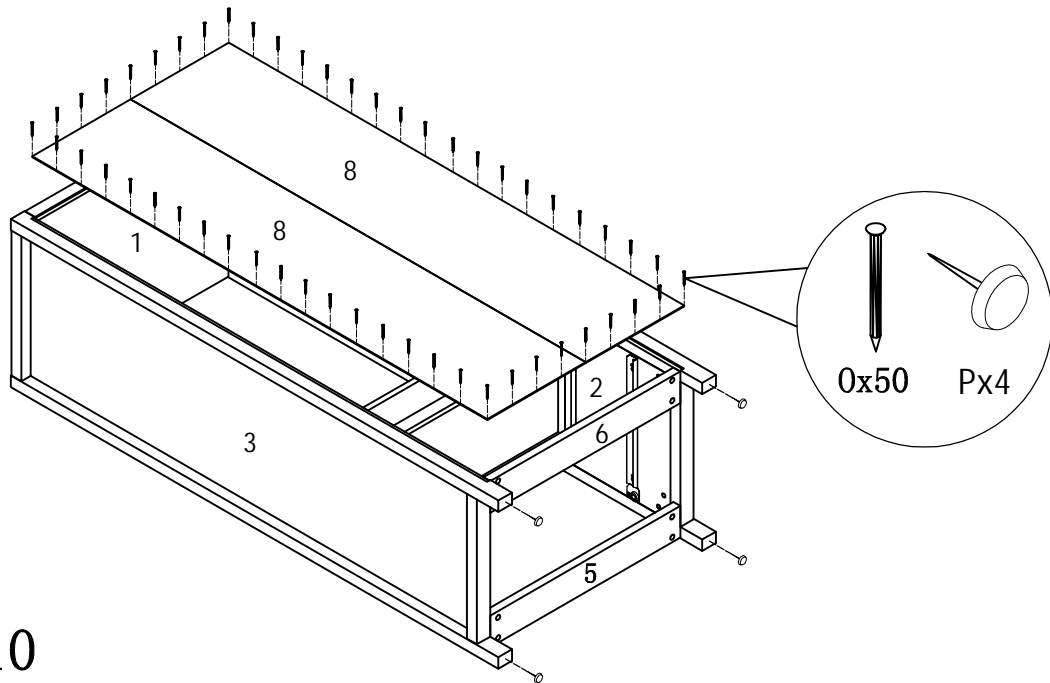
ITEM#:K16019 K16020 K16021 K16022

STEP9



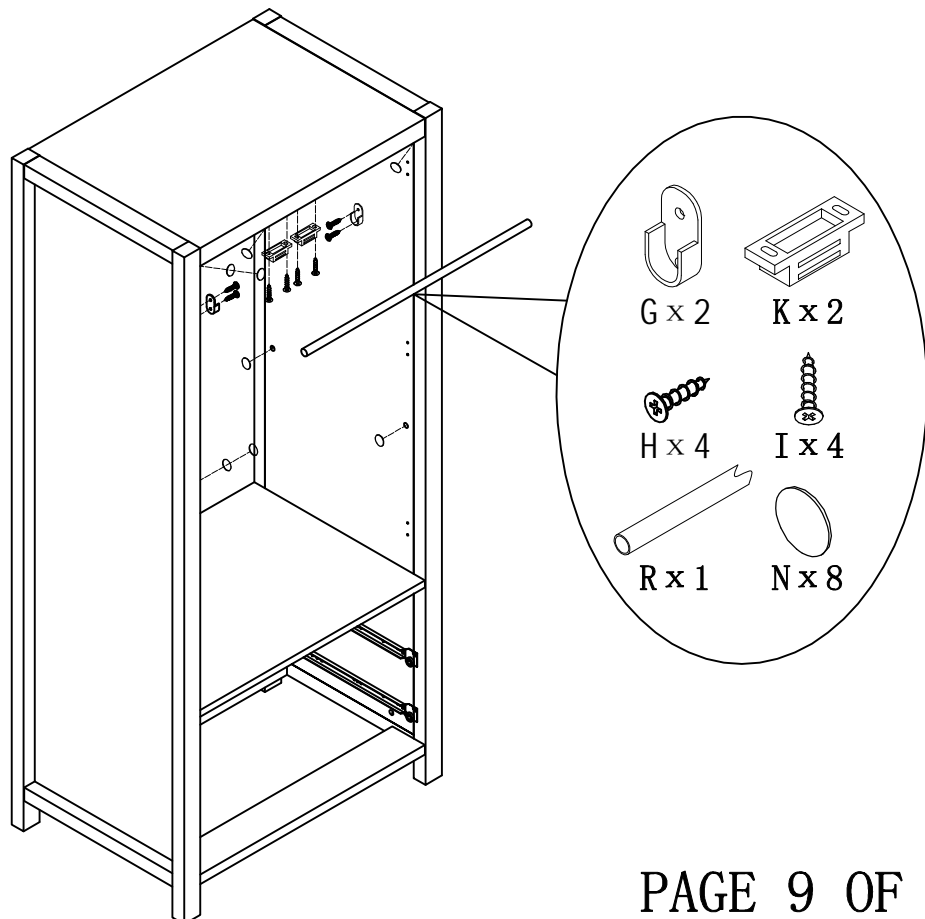
ASSEMBLY INSTRUCTION

ITEM#:K16019 K16020 K16021 K16022



STEP10

STEP11

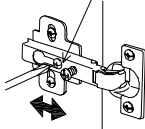


PAGE 9 OF 11

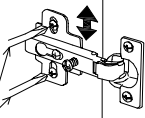
ASSEMBLY INSTRUCTION

ITEM#:K16019 K16020 K16021 K16022

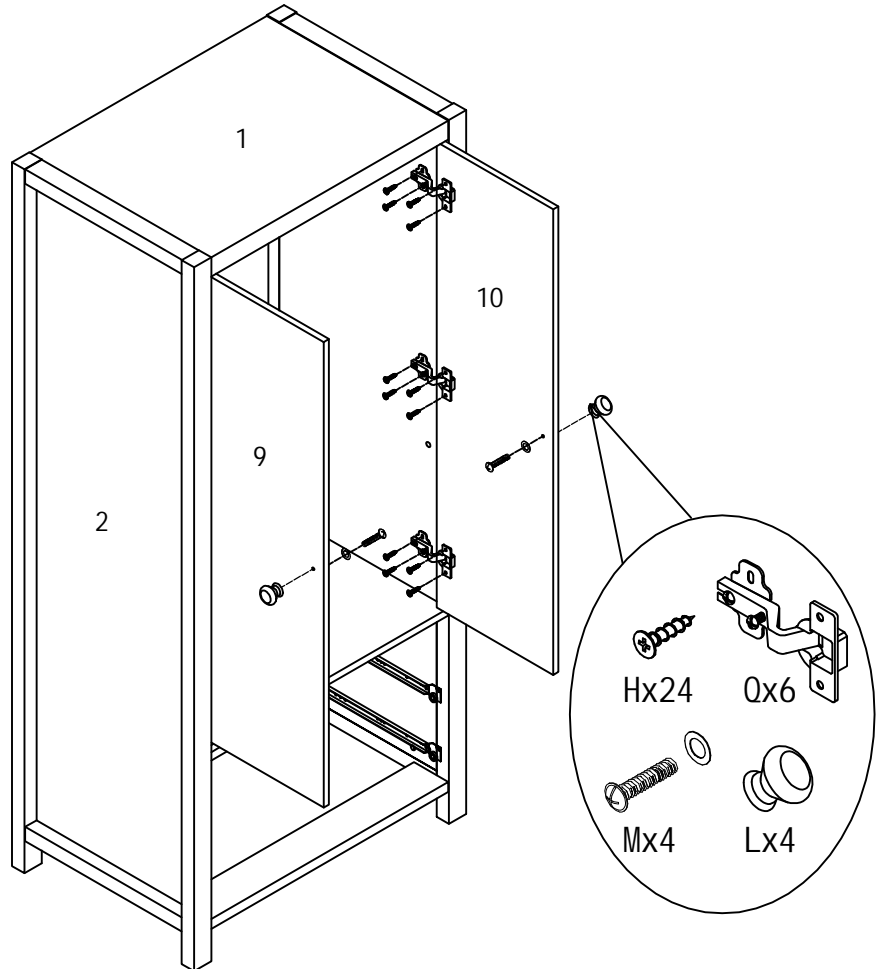
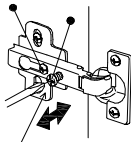
To adjust the door in or out, loosen this screw and push the door further in or push further out then retighten screws.



To adjust the door vertically, loosen the top and bottom screws, push the door up or down as necessary, then retighten screws.

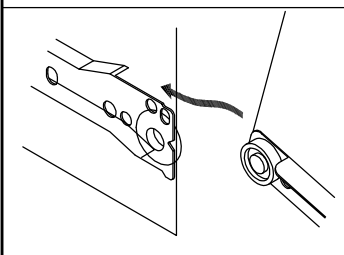
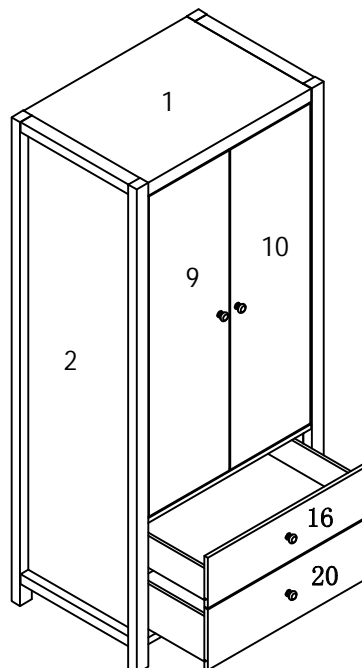


To adjust the door left/right, turn this screw clockwise to move this corner of the door toward the frame, or counterclockwise to move door away from the frame.



STEP12

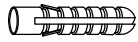
STEP13



ANTI-TIPPING STRAP INSTRUCTION

HARDWARE (INCLUDED) :

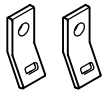
TOOLS NEEDED (NOT INCLUDED) :



DRYWALL ANCHOR $\phi 8 \times 40$ X 1PC



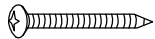
DRILL & DRILL BIT



METAL BRACKETS $12 \times 12 \times 1$ X 2PCS



LIGHT HAMMER



DRYWALL SCREW $\phi 5 \times 40$ X 1PC



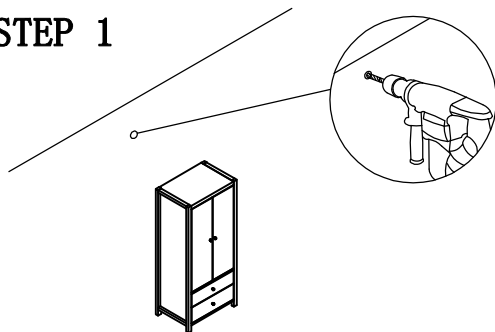
STRAP $197 \times 5 \times 1$ X 1PC



FLATHEAD SCREW $\phi 4 \times 25$ X 1PC

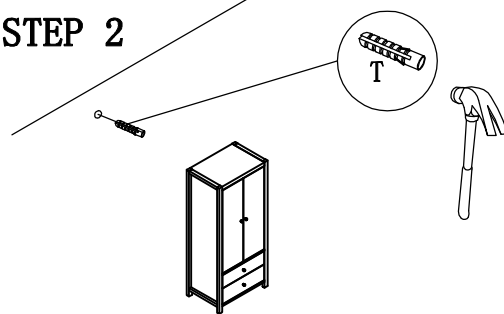
Note: Hardware included only compatible with standard drywalls.

STEP 1



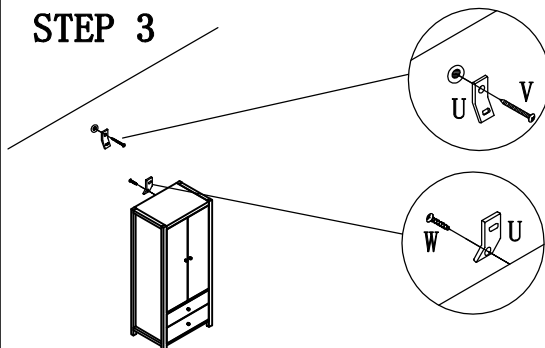
1. Find spot on wall 1" below top of item.
2. Using a drill bit slightly thinner than anchor, drill hole into drywall.

STEP 2



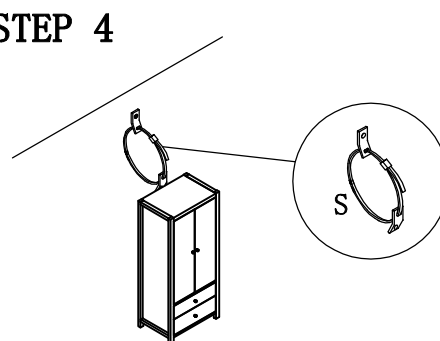
1. Use a light hammer to tap anchor into hole.
2. Anchor should fit snugly. If hole is too small, drill again to increase hole size. Do not force anchor into wall.

STEP 3



1. Insert drywall screw into metal bracket and into drywall anchor.
2. Insert flathead screw into second metal bracket and into back of item along top edge.

STEP 4



1. Insert strap thru bracket attached to wall, then thru bracket on item, and into head of strap.
 2. pull lightly til strap stops.
- Assembly is complete.