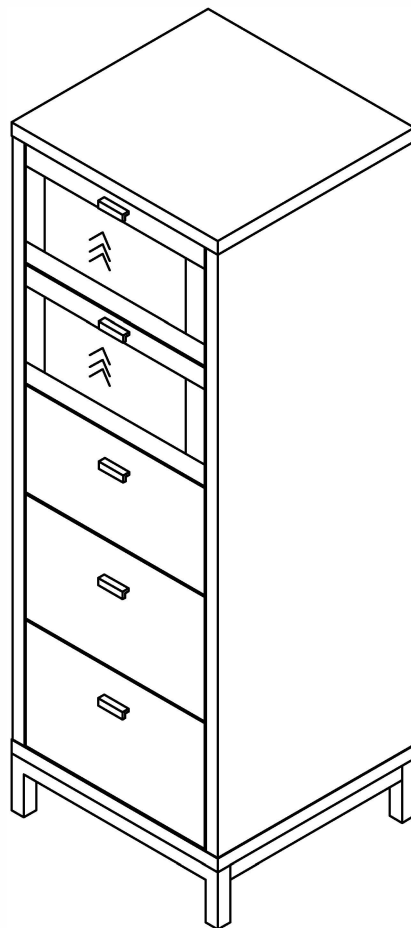


ASSEMBLY INSTRUCTION

ITEM#:K16039 K16040 K16041 K16042 K16055



ASSEMBLY INSTRUCTION

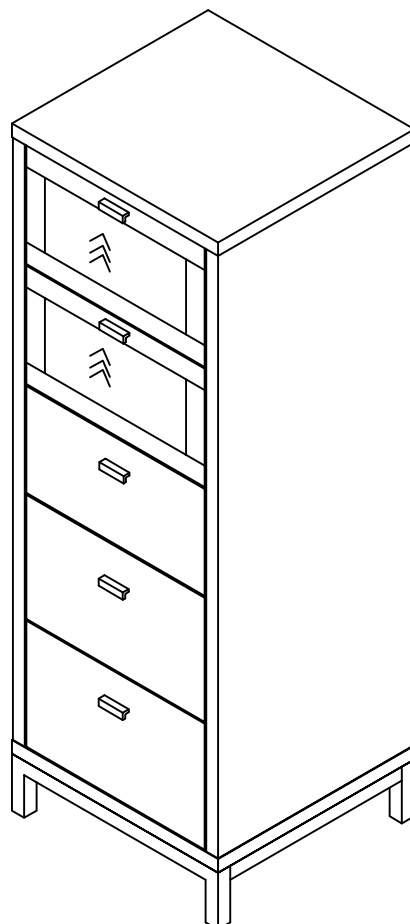
PLEASE READ BEFORE ASSEMBLING!

Tip #1: Make sure you've taken all the pieces and hardware out of its packaging before discarding the box.

Tip #2: Using page 2 and/or page 3 of instruction manual make sure all pieces and hardware are accounted for.

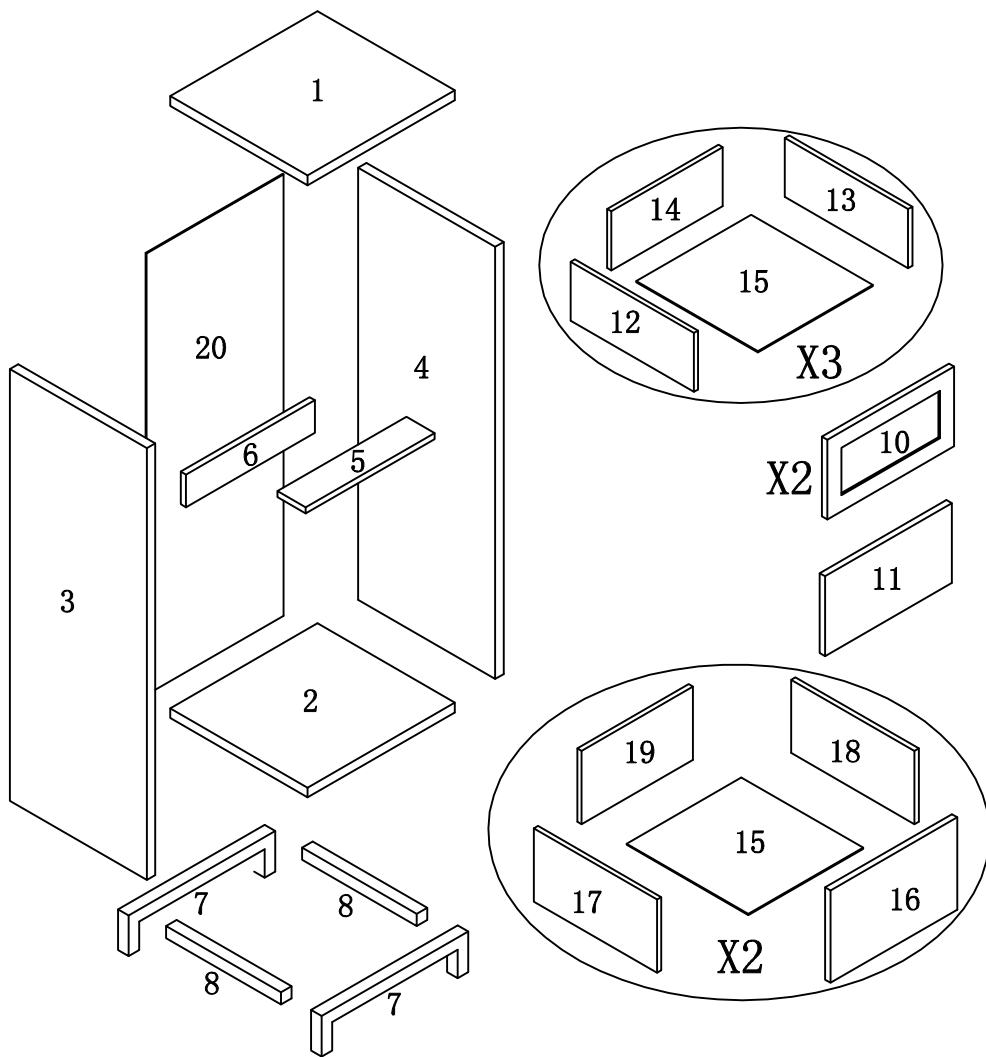
Tip #3: Read manual before assembling, it helps!

ITEM#:K16039 K16040 K16041 K16042 K16055



PARTS IDENTIFICATION

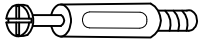


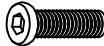





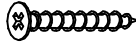
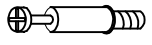

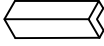




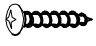

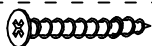
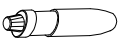
ITEM#:K16039 K16040 K16041 K16042 K16055



(1)	1pc	(8)	2pcs	(15)	5pcs
(2)	1pc			(16)	2pcs
(3)	1pc	(10)	2pcs	(17)	2pcs
(4)	1pc	(11)	1pc	(18)	2pcs
(5)	1pc	(12)	3pcs	(19)	2pcs
(6)	1pc	(13)	3pcs	(20)	1pc
(7)	2pcs	(14)	3pcs		

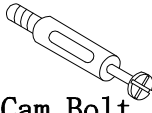

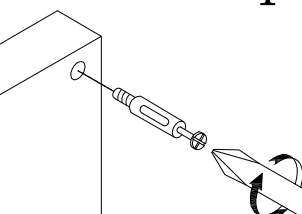
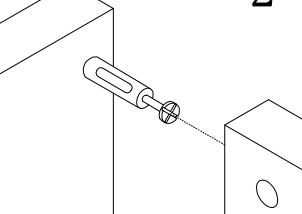
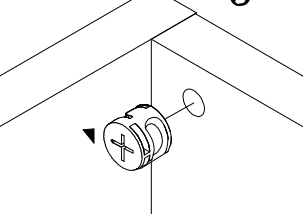
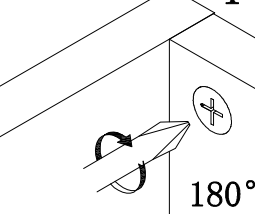
HARDWARE IDENTIFICATION

ITEM#:K16039 K16040 K16041 K16042 K16055

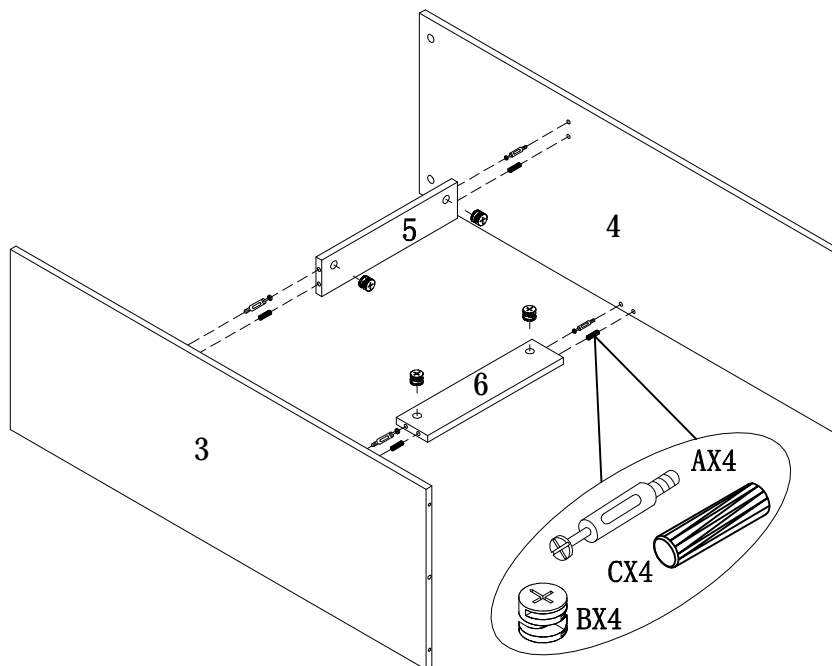
A		L29	12pcs
B		ϕ 15	12pcs
C		ϕ 8 x 25	8pcs
D		M6 x 30	4pcs
E		M8	8pcs
F		M4	1pc
G		M7 x 68	4pcs
H		ϕ 16	4pcs
I			30pcs
J		ϕ 4 x 30	20pcs
K		L20	20pcs
L		ϕ 12	20pcs
M		32#	5pcs
N		ϕ 4 x 22	10pcs
O		ϕ 8x40	1pc
P		ϕ 12x12x1	2pcs
Q		ϕ 5x40	1pc
R		ϕ 4x25	1pc
S		197×5×1	1pc
T		ϕ 4 x 50	4pcs
U		Glue: For securing please apply to wood dowel first before inserting into panel	1pc

ASSEMBLY INSTRUCTION

ITEM#:K16039 K16040 K16041 K16042 K16055

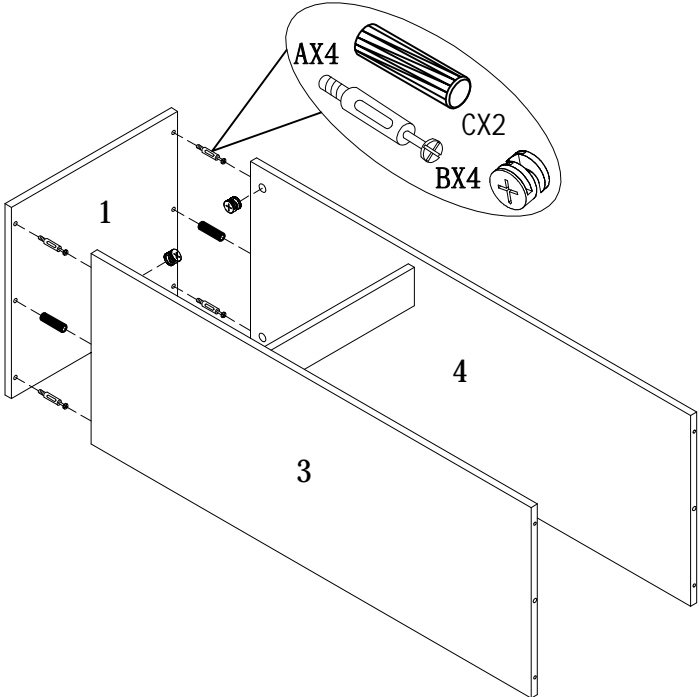
<p>HOW TO</p>  <p>Cam Bolt</p>  <p>Cam Lock</p>	<p>1</p> 	<p>2</p> 	<p>3</p> 	<p>4</p>  <p>180°</p>
	<p>1. Screw Cam Bolt into panel.</p>	<p>2. Insert Cam Bolt into bolt hole of joining panel.</p>	<p>3. Insert Cam Lock. arrow facing bolt.</p>	<p>4. Gently turn Cam Lock clockwise to lock position.</p>

STEP1



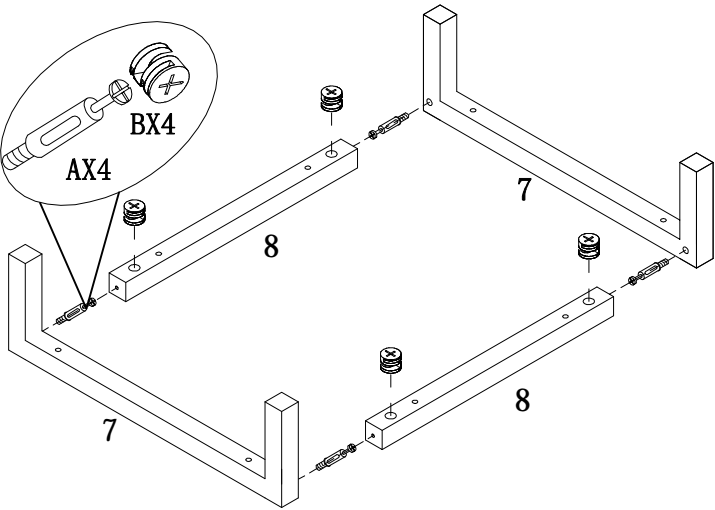
ASSEMBLY INSTRUCTION

ITEM#:K16039 K16040 K16041 K16042 K16055



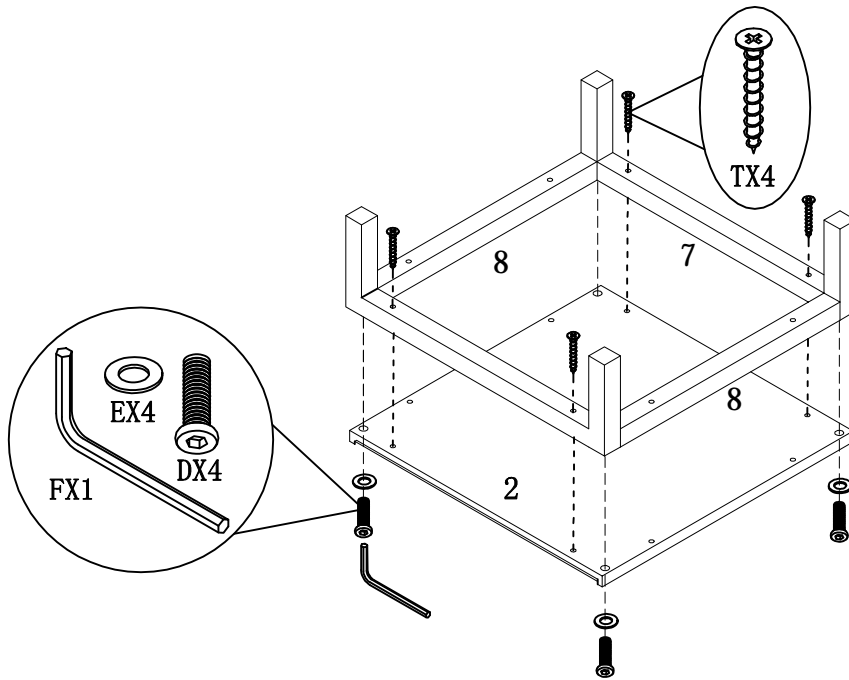
STEP2

STEP3



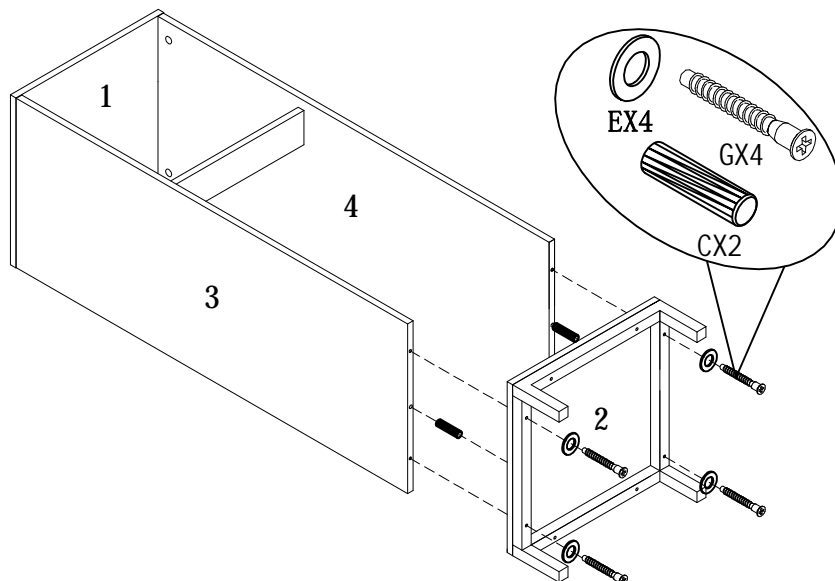
ASSEMBLY INSTRUCTION

ITEM#:K16039 K16040 K16041 K16042 K16055



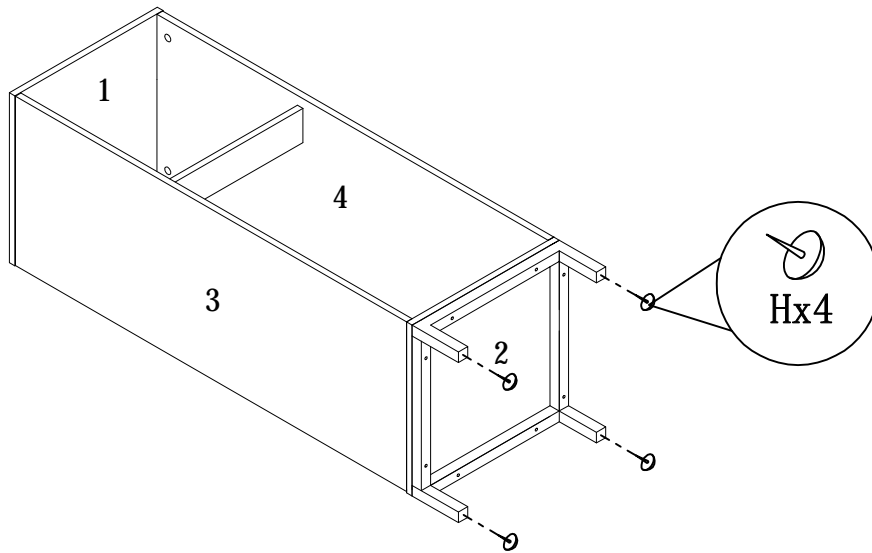
STEP4

STEP5



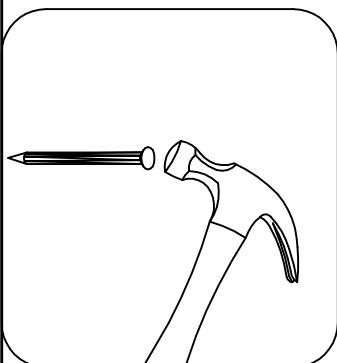
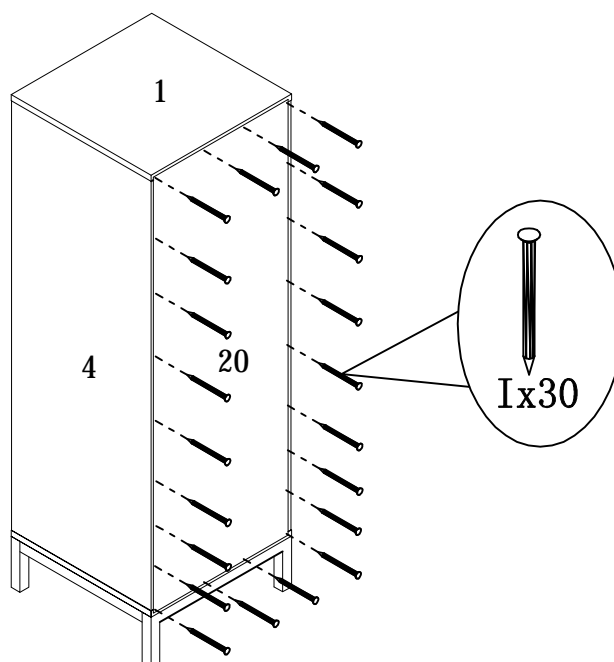
ASSEMBLY INSTRUCTION

ITEM#:K16039 K16040 K16041 K16042 K16055



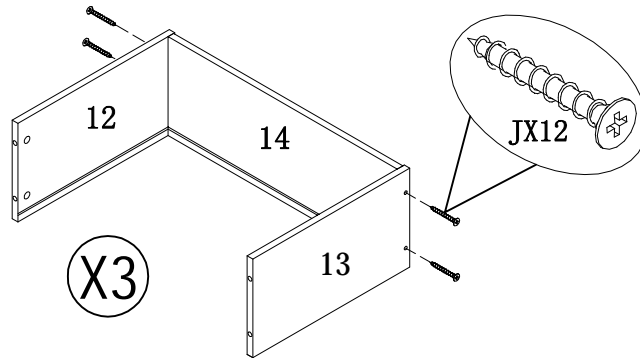
STEP6

STEP7



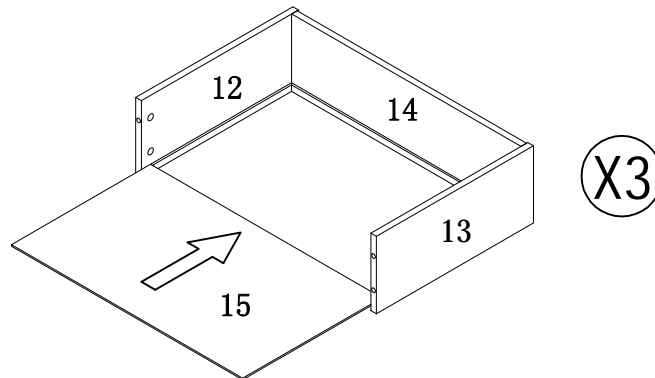
ASSEMBLY INSTRUCTION

ITEM#:K16039 K16040 K16041 K16042 K16055

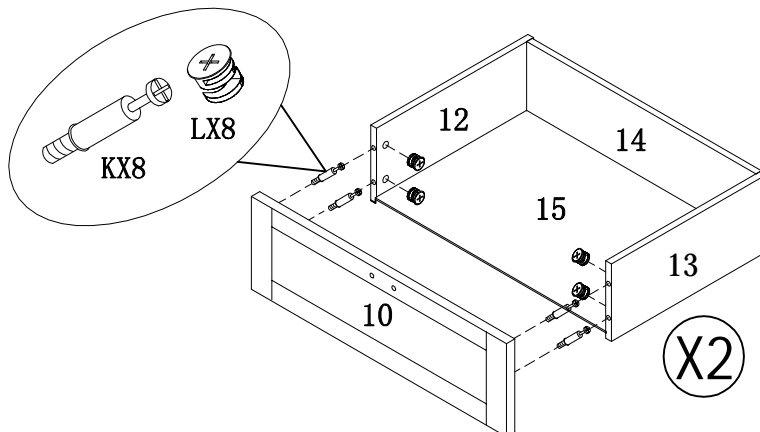


STEP8

STEP9

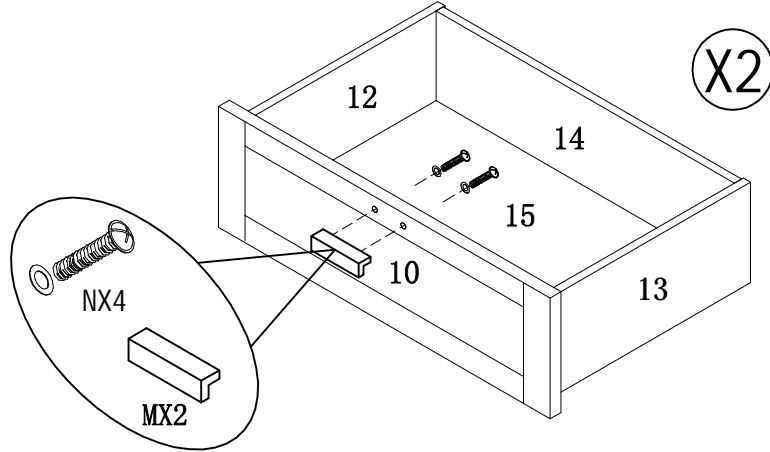


STEP10



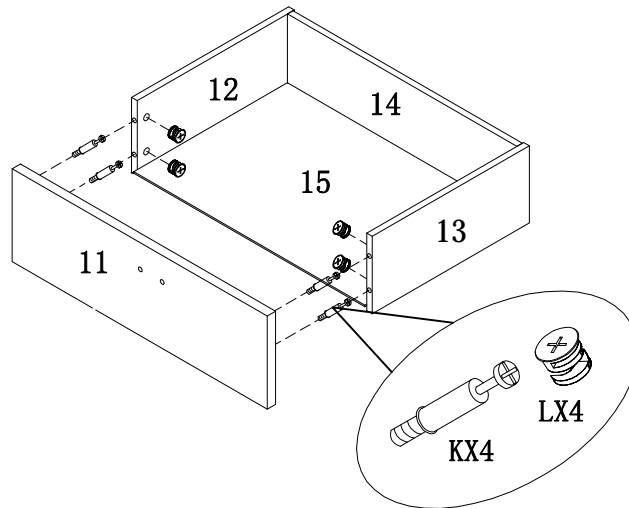
ASSEMBLY INSTRUCTION

ITEM#:K16039 K16040 K16041 K16042 K16055

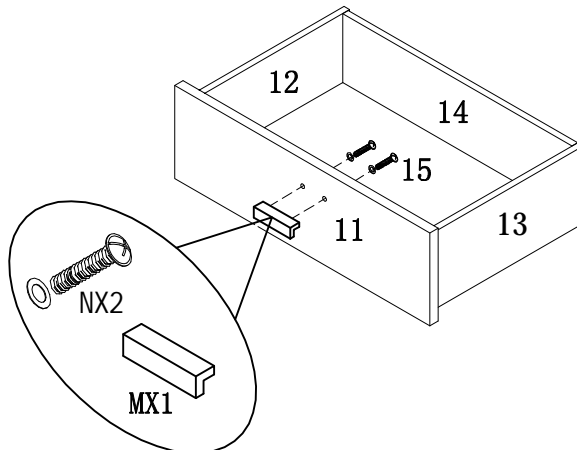


STEP11

STEP12

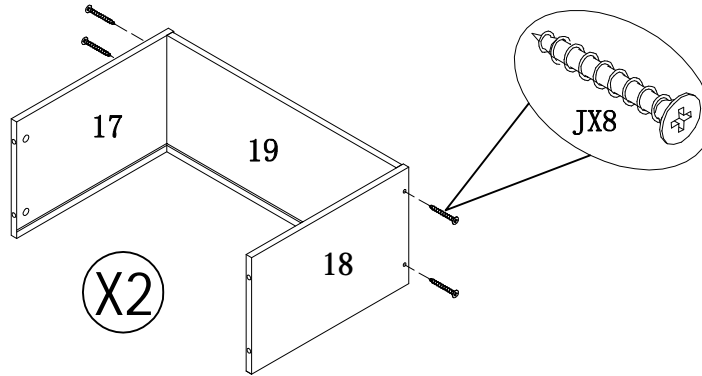


STEP13



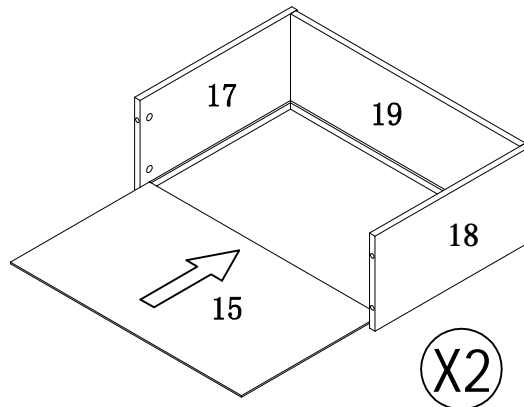
ASSEMBLY INSTRUCTION

ITEM#:K16039 K16040 K16041 K16042 K16055

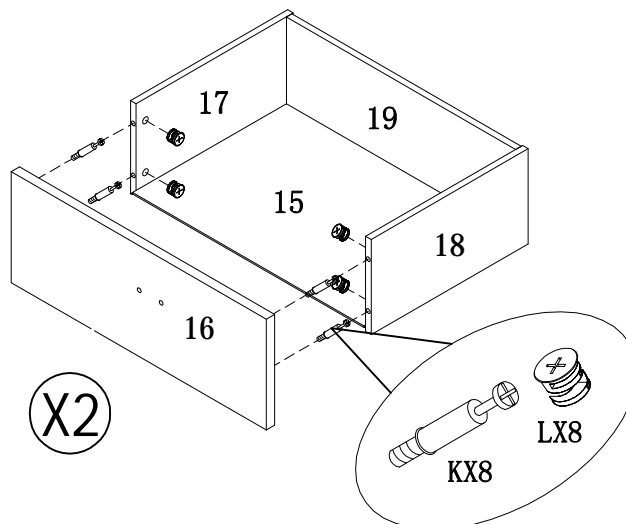


STEP14

STEP15

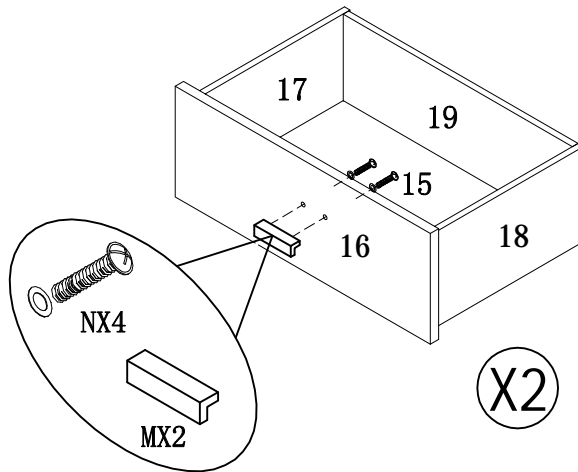


STEP16



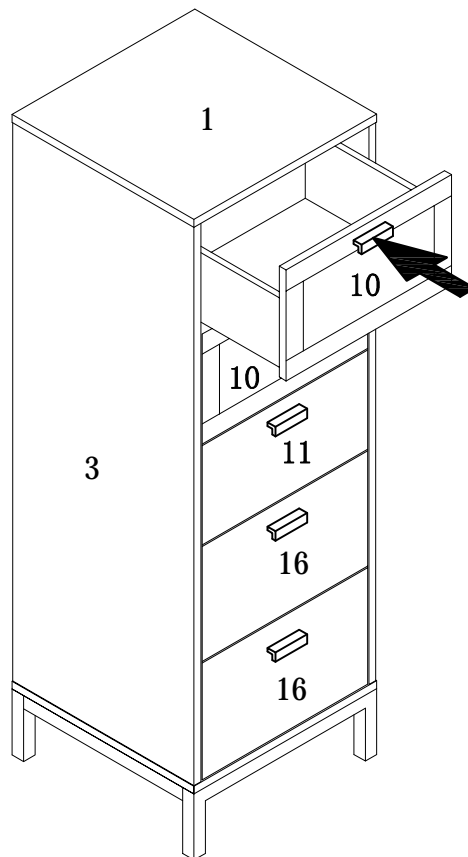
ASSEMBLY INSTRUCTION

ITEM#:K16039 K16040 K16041 K16042 K16055



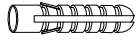
STEP17

STEP18

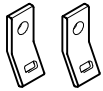


ANTI-TIPPING STRAP INSTRUCTION

HARDWARE (INCLUDED) :



DRYWALL ANCHOR $\phi 8 \times 40$ X 1PC



METAL BRACKETS $12 \times 12 \times 1$ X 2PCS



DRYWALL SCREW $\phi 5 \times 40$ X 1PC

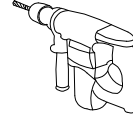


STRAP $197 \times 5 \times 1$ X 1PC



FLATHEAD SCREW $\phi 4 \times 25$ X 1PC

TOOLS NEEDED (NOT INCLUDED) :



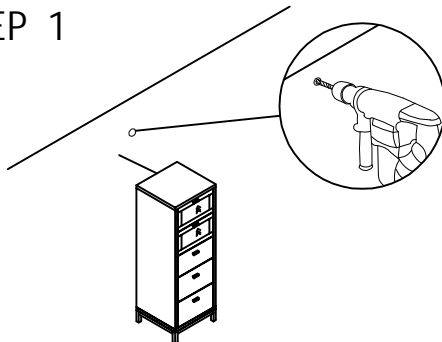
DRILL & DRILL BIT



LIGHT HAMMER

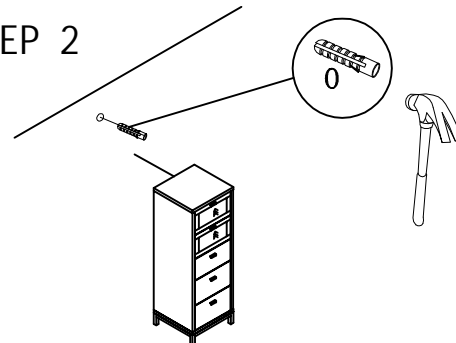
Note: Hardware included only compatible with standard drywalls.

STEP 1



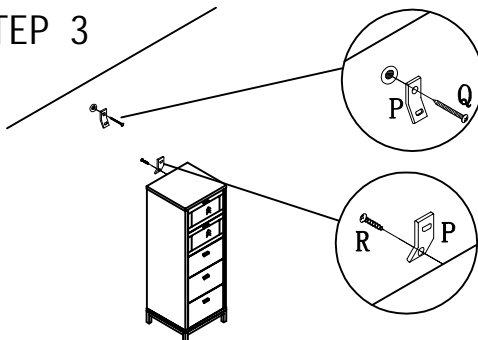
1. Find spot on wall 1" below top of item.
2. Using a drill bit slightly thinner than anchor, drill hole into drywall.

STEP 2



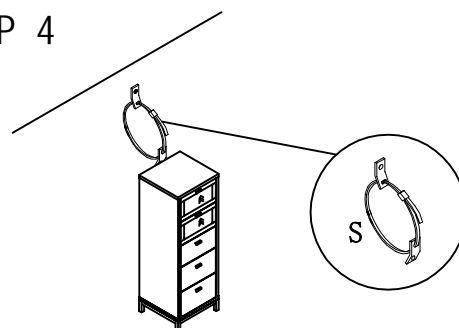
1. Use a light hammer to tap anchor into hole.
2. Anchor should fit snugly. If hole is too small, drill again to increase hole size. Do not force anchor into wall.

STEP 3



1. Insert drywall screw into metal bracket and into drywall anchor.
2. Insert flathead screw into second metal bracket and into back of item along top edge.

STEP 4



1. Insert strap thru bracket attached to wall, then thru bracket on item, and into head of strap.
 2. pull lightly til strap stops.
- Assembly is complete.