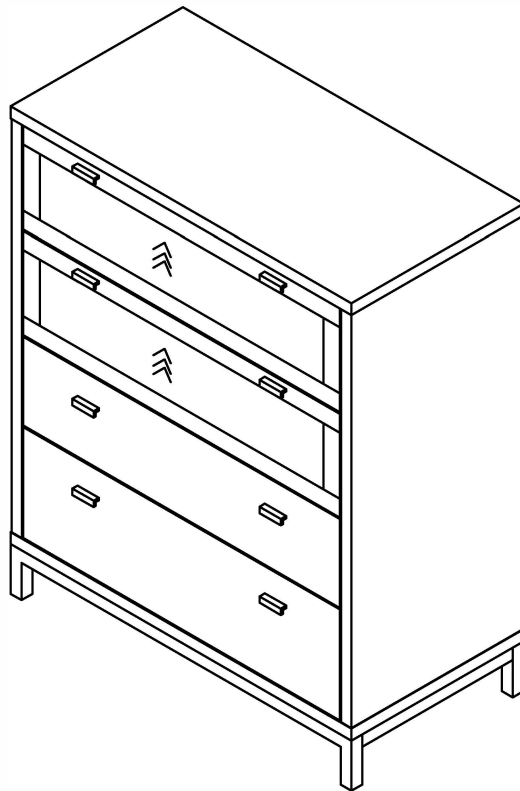


ASSEMBLY INSTRUCTION

ITEM#:K16043 K16044 K16045 K16046 K16056



ASSEMBLY INSTRUCTION

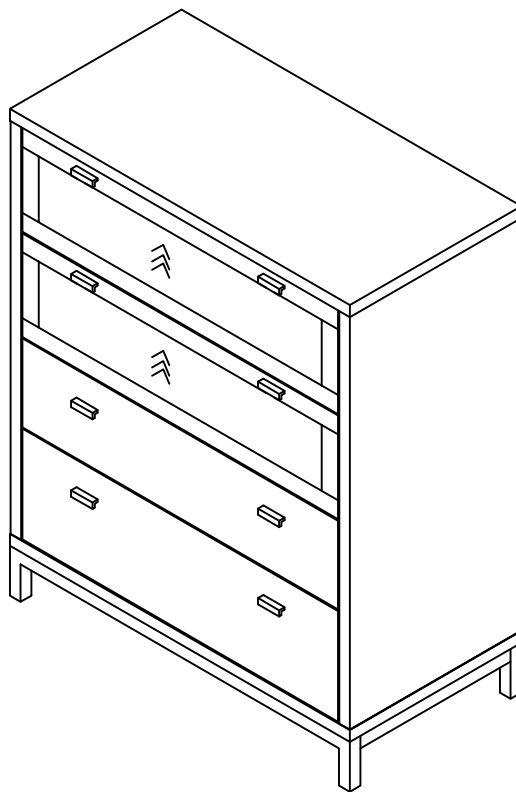
PLEASE READ BEFORE ASSEMBLING!

Tip #1: Make sure you've taken all the pieces and hardware out of its packaging before discarding the box.

Tip #2: Using page 2 and/or page 3 of instruction manual make sure all pieces and hardware are accounted for.

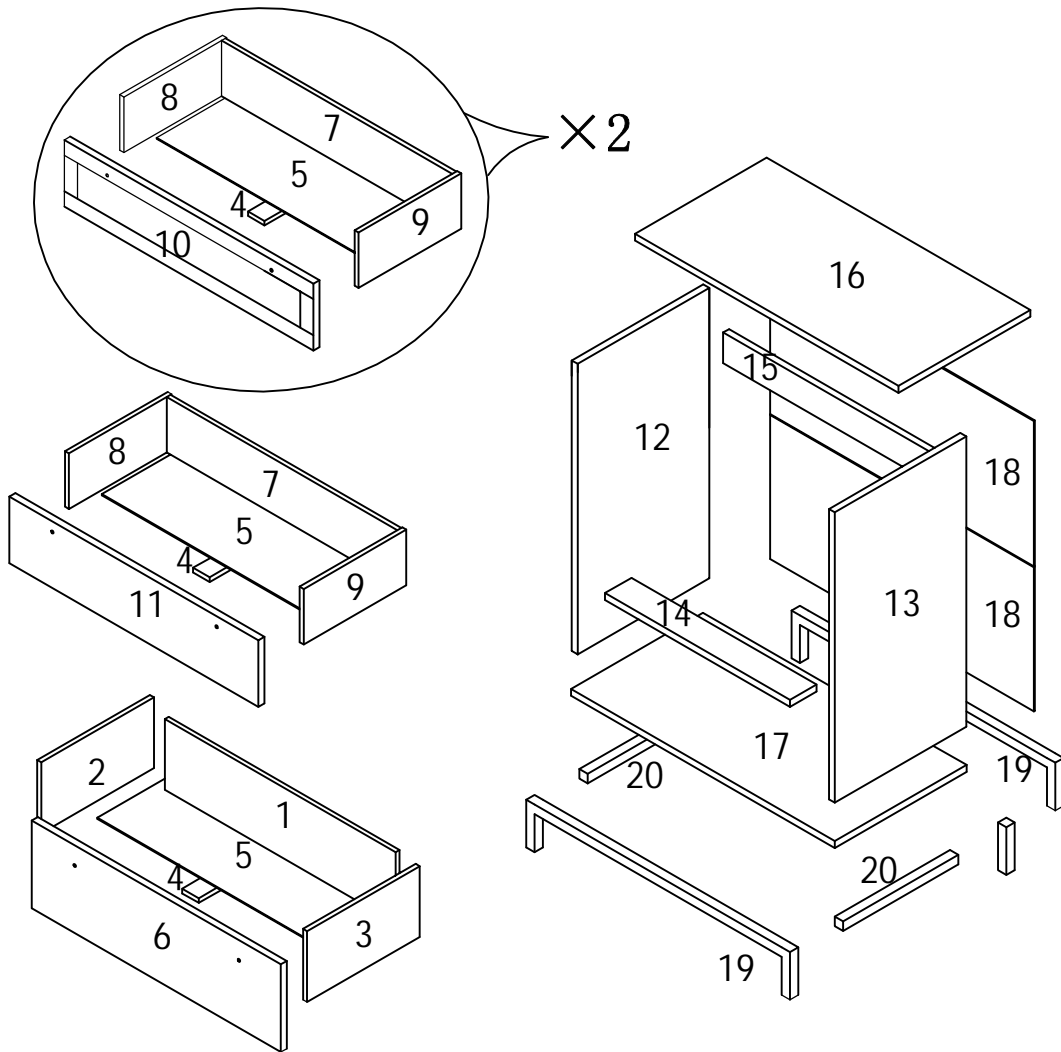
Tip #3: Read manual before assembling, it helps!

ITEM#:K16043 K16044 K16045 K16046 K16056



PARTS IDENTIFICATION

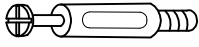








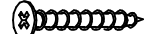
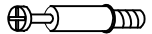



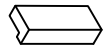

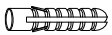

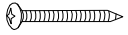
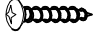


ITEM#:K16043 K16044 K16045 K16046 K16056



(1)	1pc	(8)	3pcs	(15)	1pc
(2)	1pc	(9)	3pcs	(16)	1pc
(3)	1pc	(10)	2pcs	(17)	1pc
(4)	4pcs	(11)	1pc	(18)	2pcs
(5)	4pcs	(12)	1pc	(19)	2pcs
(6)	1pc	(13)	1pc	(20)	2pcs
(7)	3pcs	(14)	1pc		

HARDWARE IDENTIFICATION

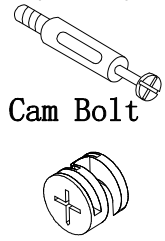
ITEM#:K16043 K16044 K16045 K16046 K16056

A		L29	12pcs
B		φ 15	12pcs
C		φ 8 x 25	8pcs
D		M6 x 30	4pcs
E		M8	8pcs
F		M4	1pc
G		ø4 x 50	6pcs
H		M7 x 68	4pcs
I			30pcs
J		ø4 x 30	24pcs
K		L20	16pcs
L		φ 12	16pcs
M		ø6 x 30	8pcs
N		φ 16	4pcs
O		32#	8pcs
P		ø4 x 22	16pcs
Q		ø8x40	1pc
R		φ12x12x1	2pcs
S		ø5x40	1pc
T		ø4x25	1pc
U		197×5×1	1pc
V		Glue: For securing please apply to wood dowel first before inserting into panel	1pc

ASSEMBLY INSTRUCTION

ITEM#:K16043 K16044 K16045 K16046 K16056

HOW TO



Cam Bolt

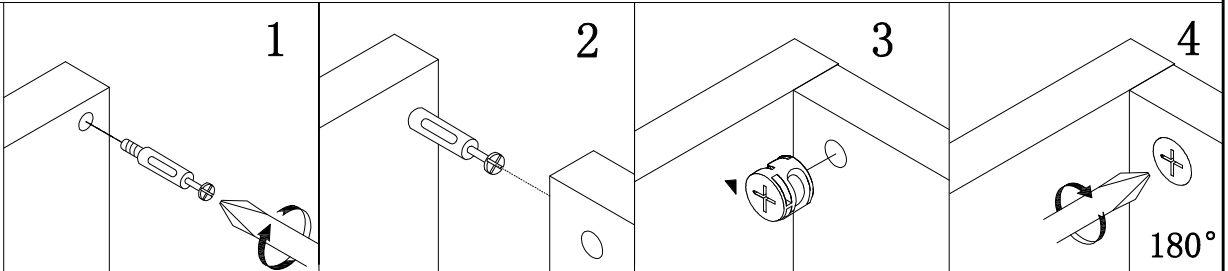
Cam Lock

1

2

3

4



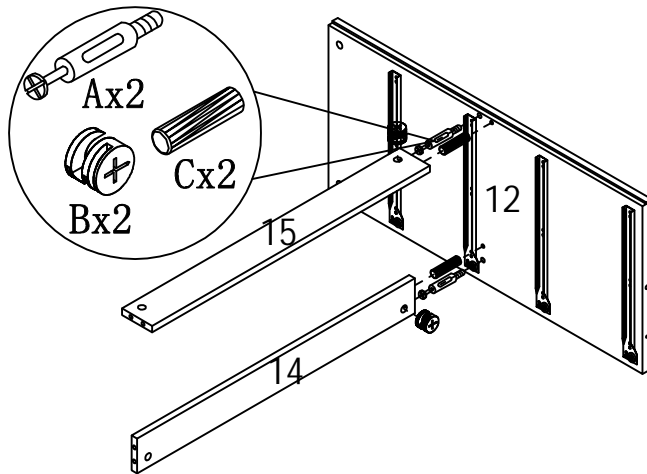
180°

1. Screw Cam Bolt into panel.

2. Insert Cam Bolt into panel.

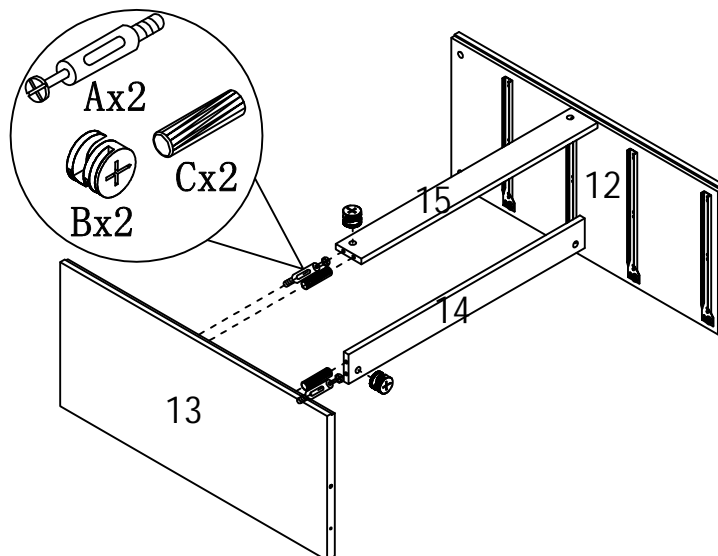
3. Insert Cam Lock. arrow facing bolt.

4. Gently turn Cam Lock clockwise to lock position.



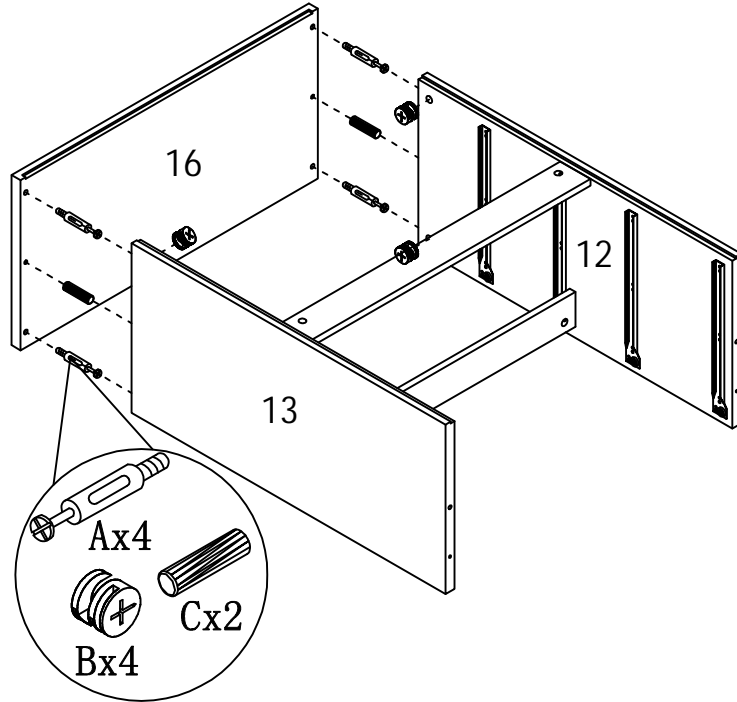
STEP1

STEP2



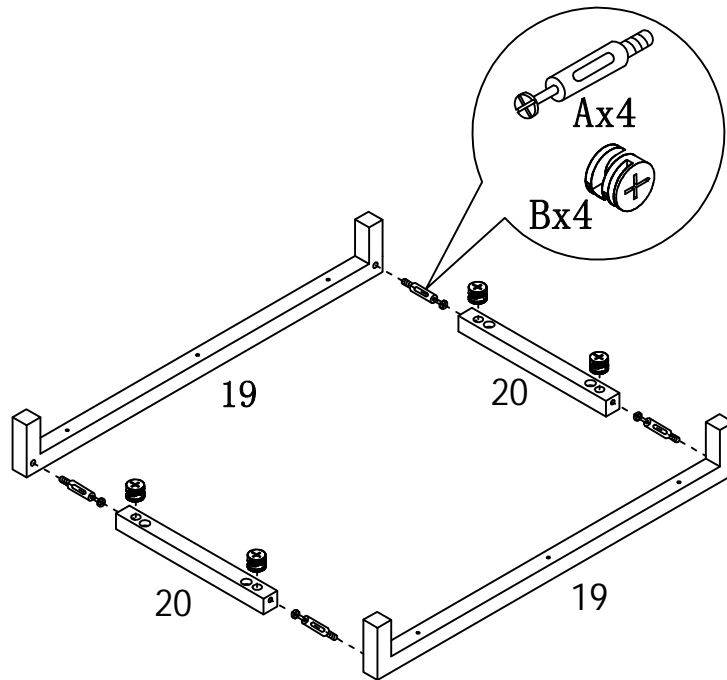
ASSEMBLY INSTRUCTION

ITEM#:K16043 K16044 K16045 K16046 K16056



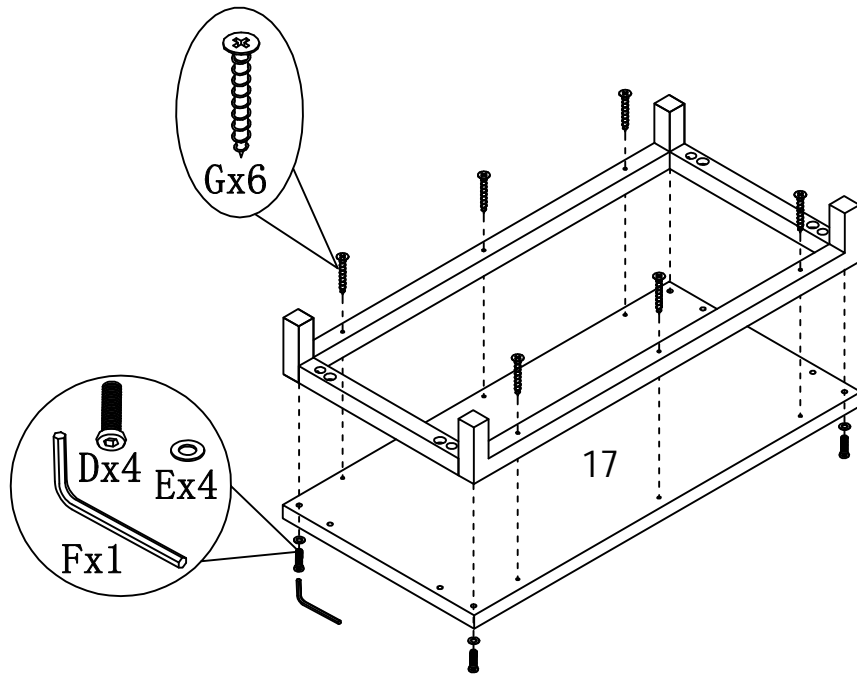
STEP3

STEP4



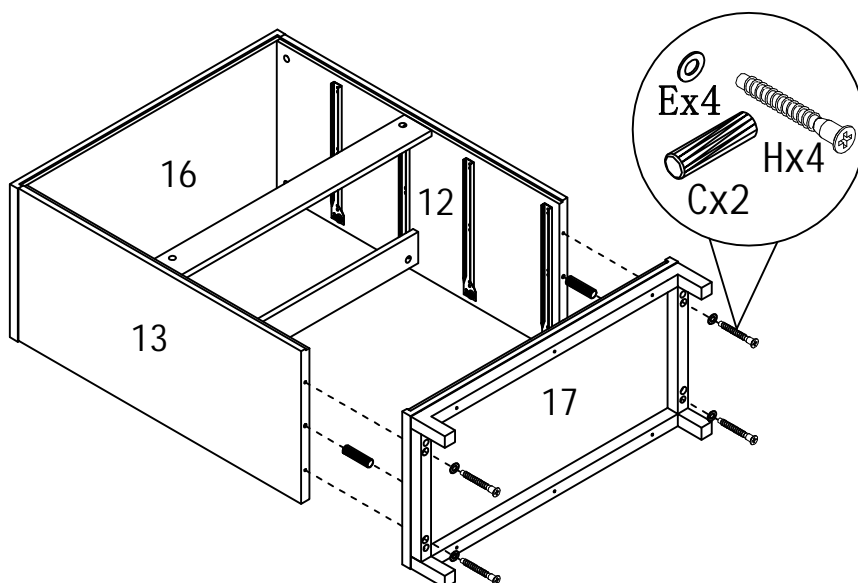
ASSEMBLY INSTRUCTION

ITEM#:K16043 K16044 K16045 K16046 K16056



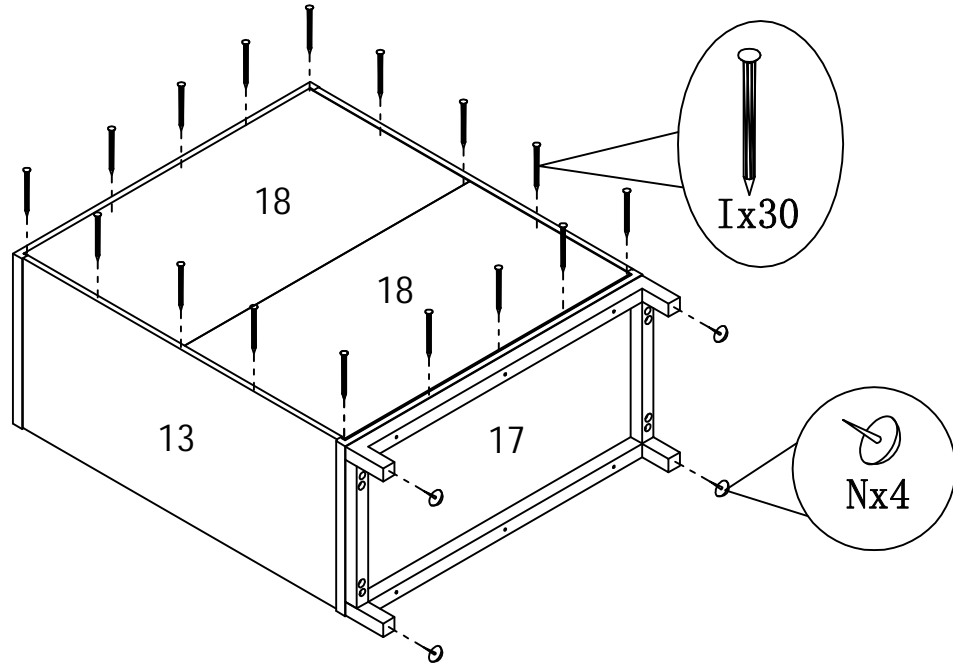
STEP5

STEP6



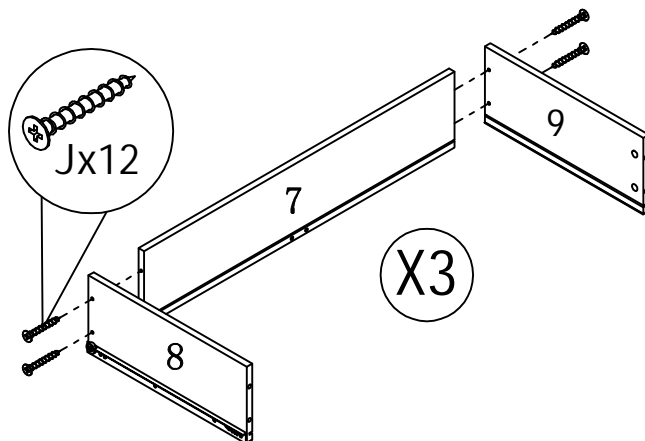
ASSEMBLY INSTRUCTION

ITEM#:K16043 K16044 K16045 K16046 K16056



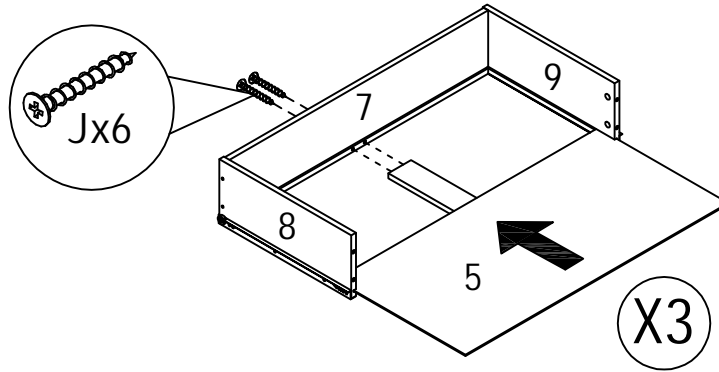
STEP7

STEP8



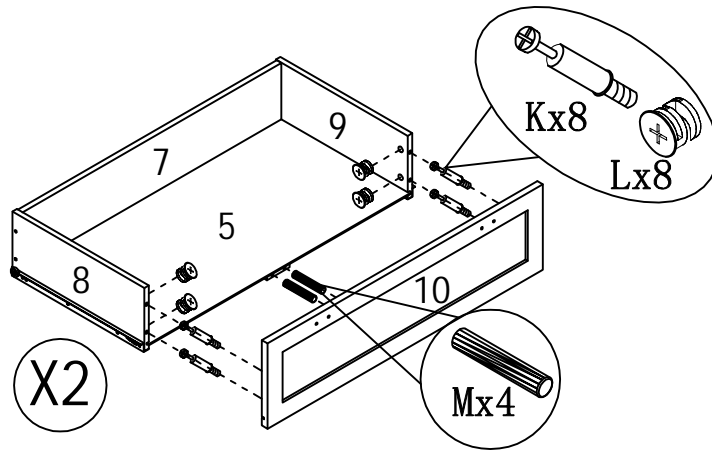
ASSEMBLY INSTRUCTION

ITEM#:K16043 K16044 K16045 K16046 K16056

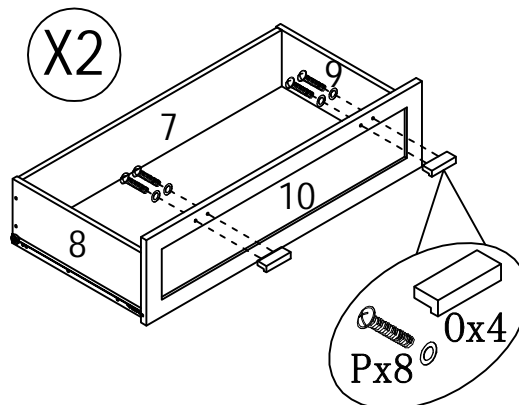


STEP9

STEP10

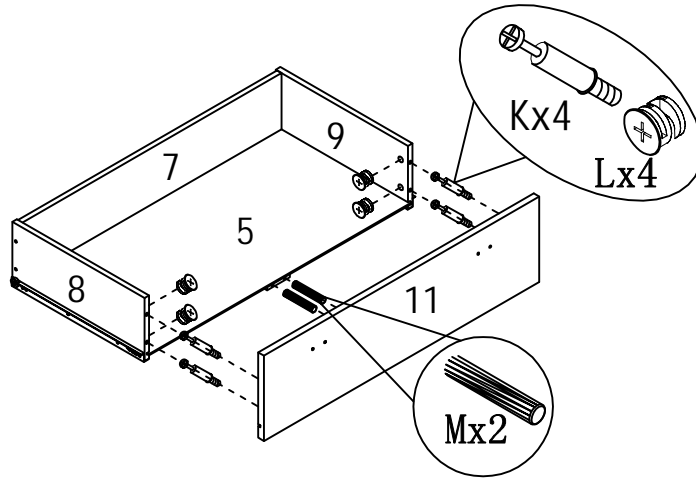


STEP11



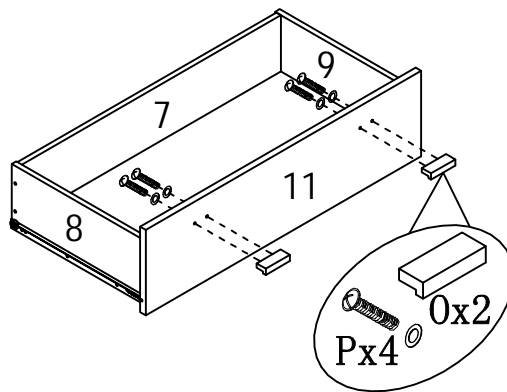
ASSEMBLY INSTRUCTION

ITEM#:K16043 K16044 K16045 K16046 K16056

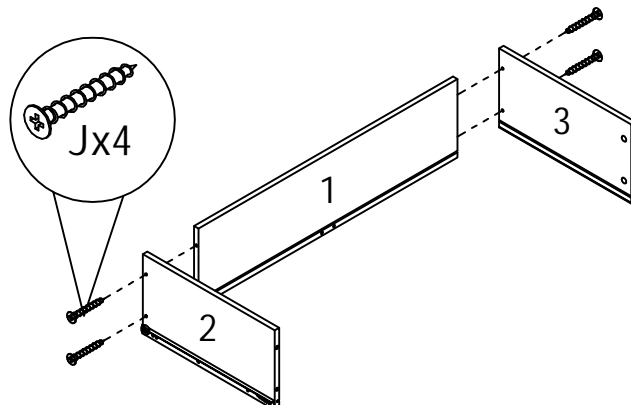


STEP12

STEP13

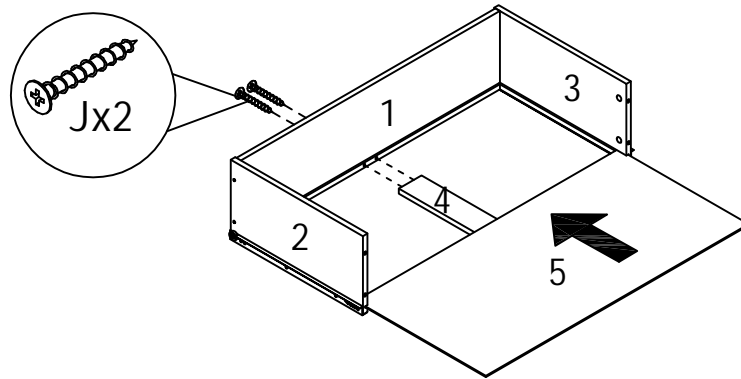


STEP14



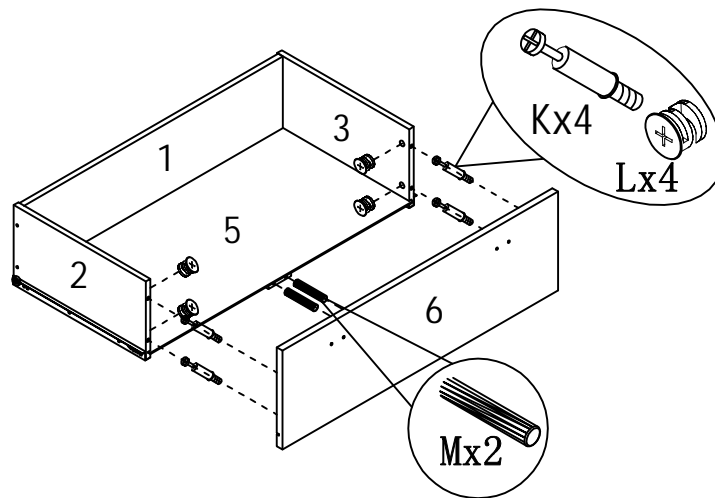
ASSEMBLY INSTRUCTION

ITEM#:K16043 K16044 K16045 K16046 K16056

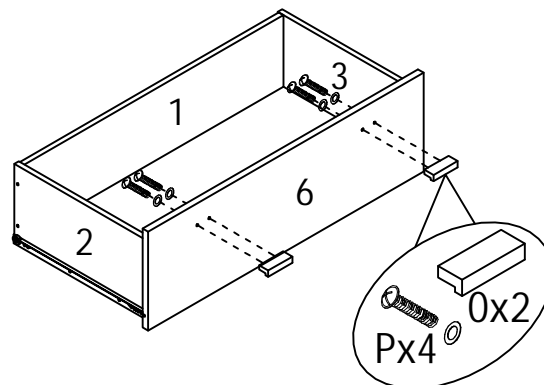


STEP15

STEP16

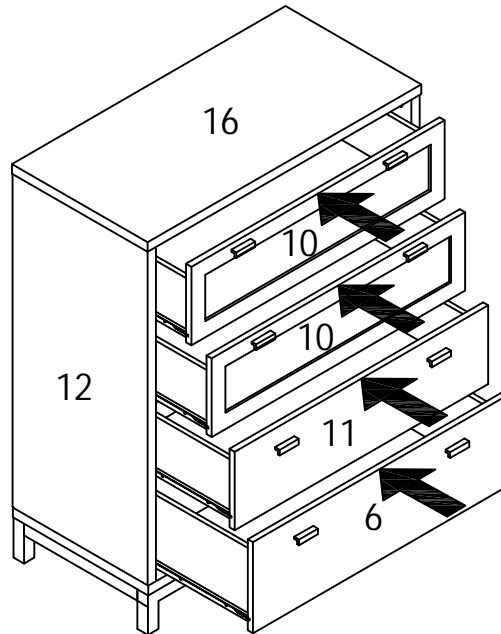


STEP17



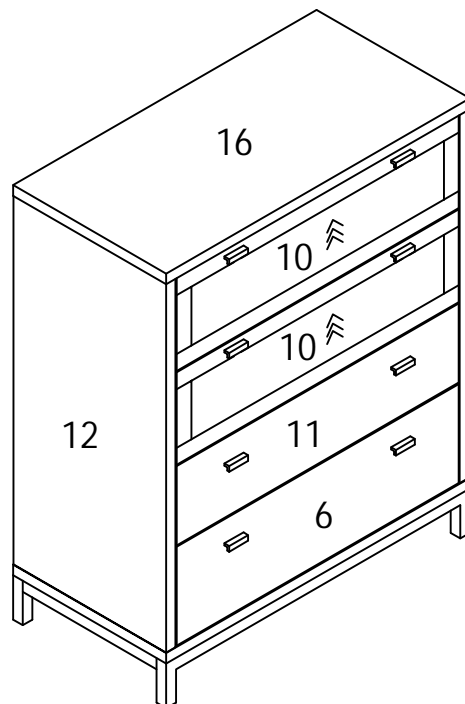
ASSEMBLY INSTRUCTION

ITEM#:K16043 K16044 K16045 K16046 K16056



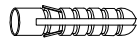
STEP18

STEP19

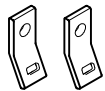


ANTI-TIPPING STRAP INSTRUCTION

HARDWARE (INCLUDED) :



DRYWALL ANCHOR $\phi 8 \times 40$ X 1PC



METAL BRACKETS $12 \times 12 \times 1$ X 2PCS



DRYWALL SCREW $\phi 5 \times 40$ X 1PC

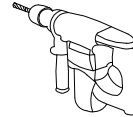


STRAP $197 \times 5 \times 1$ X 1PC



FLATHEAD SCREW $\phi 4 \times 25$ X 1PC

TOOLS NEEDED (NOT INCLUDED) :



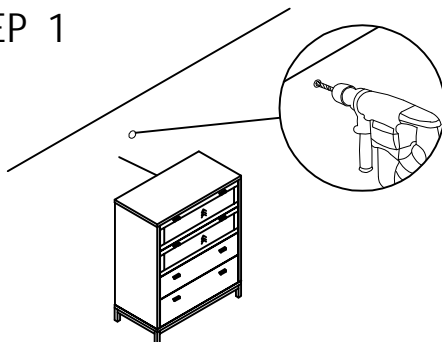
DRILL & DRILL BIT



LIGHT HAMMER

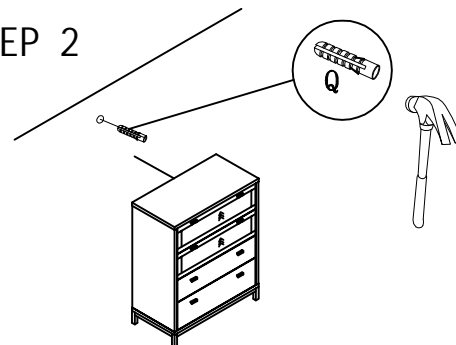
Note: Hardware included only compatible with standard drywalls.

STEP 1



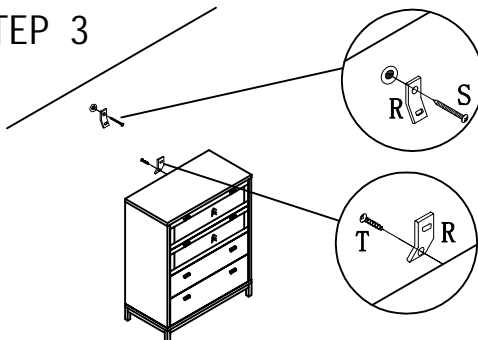
1. Find spot on wall 1" below top of item.
2. Using a drill bit slightly thinner than anchor, drill hole into drywall.

STEP 2



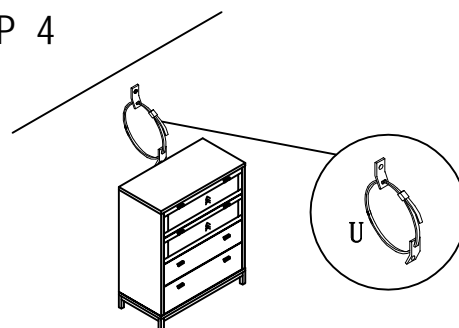
1. Use a light hammer to tap anchor into hole.
2. Anchor should fit snugly. If hole is too small, drill again to increase hole size. Do not force anchor into wall.

STEP 3



1. Insert drywall screw into metal bracket and into drywall anchor.
2. Insert flathead screw into second metal bracket and into back of item along top edge.

STEP 4



1. Insert strap thru bracket attached to wall, then thru bracket on item, and into head of strap.
 2. pull lightly til strap stops.
- Assembly is complete.