

ASSEMBLY INSTRUCTION

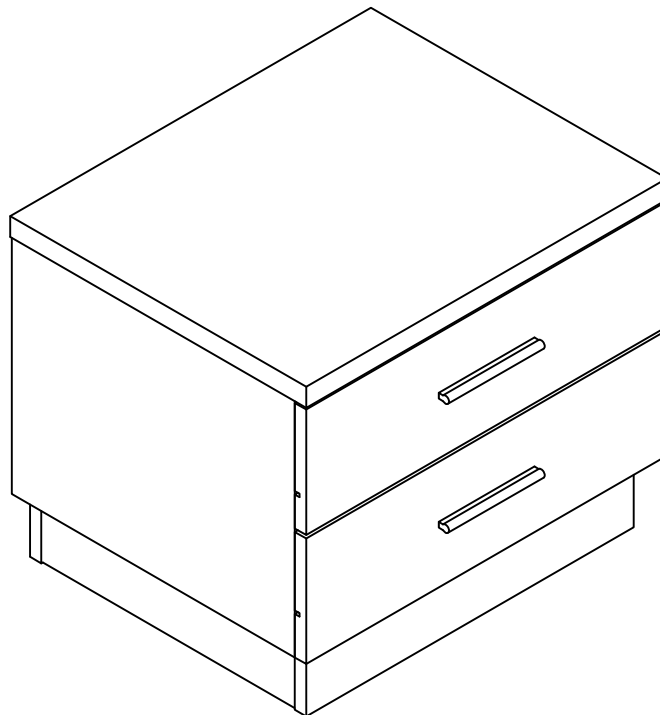
PLEASE READ BEFORE ASSEMBLING!

Tip #1: Make sure you've taken all the pieces and hardware out of its packaging before discarding the box.

Tip #2: Using page 2 and/or page 3 of instruction manual make sure all pieces and hardware are accounted for.

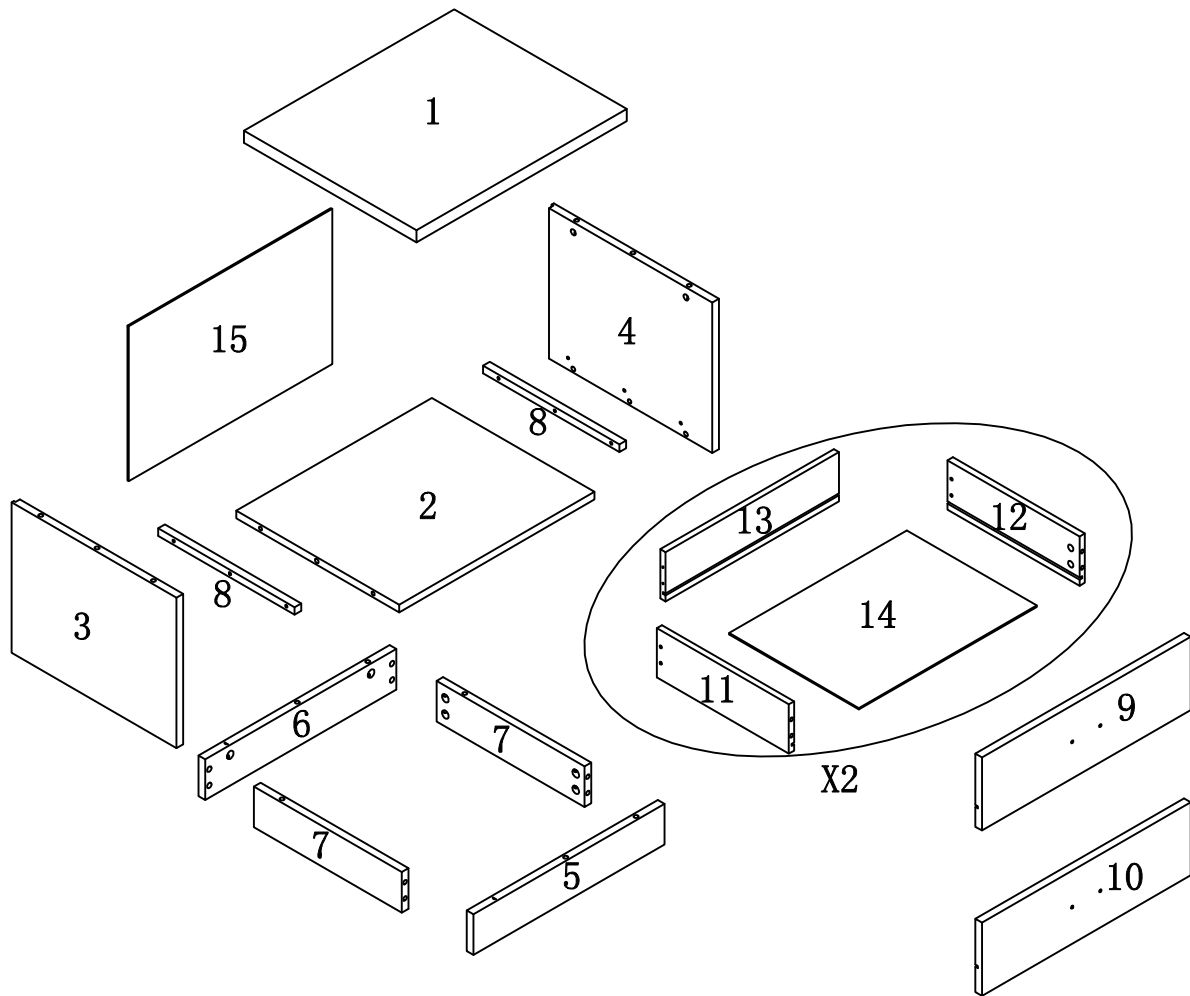
Tip #3: Read manual before assembling, it helps!

ITEM#: MB2203



PARTS IDENTIFICATION

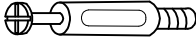


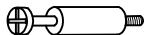





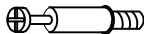

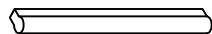


ITEM#: MB2203



(1)	1pc	(6)	1pc	(11)	2pcs
(2)	1pc	(7)	2pcs	(12)	2pcs
(3)	1pc	(8)	2pcs	(13)	2pcs
(4)	1pc	(9)	1pc	(14)	2pcs
(5)	1pc	(10)	1pc	(15)	1pc



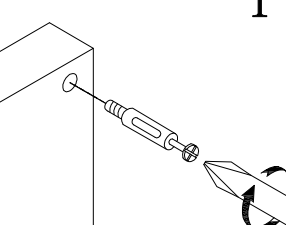
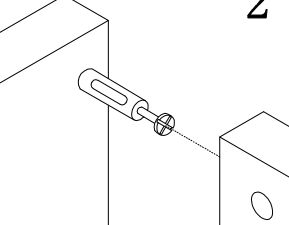
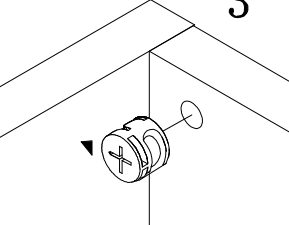
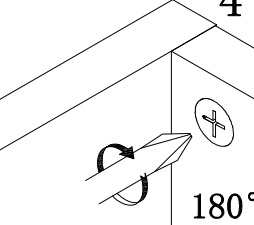
HARDWARE IDENTIFICATION

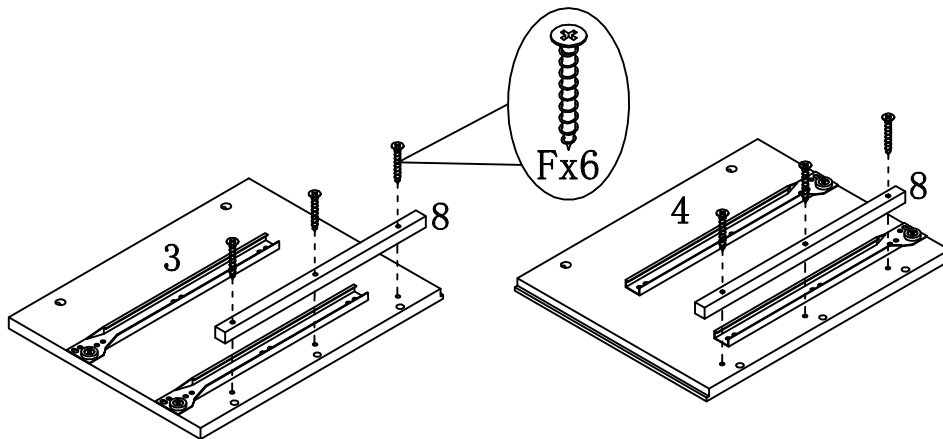
ITEM#: MB2203

A		L29	16pcs
B		φ 15	16pcs
C		φ 8 x 25	10pcs
D		L24	4pcs
E		φ 12	4pcs
F		∅4 x 25	6pcs
G		φ 16	4pcs
H			14pcs
I		∅4 x 30	8pcs
J		L20	8pcs
K		φ 12	8pcs
L		#64	2pcs
M		∅4 x 22	4pcs
N		Glue: For securing please apply to wood dowel first before inserting into panel	1pc

ASSEMBLY INSTRUCTION

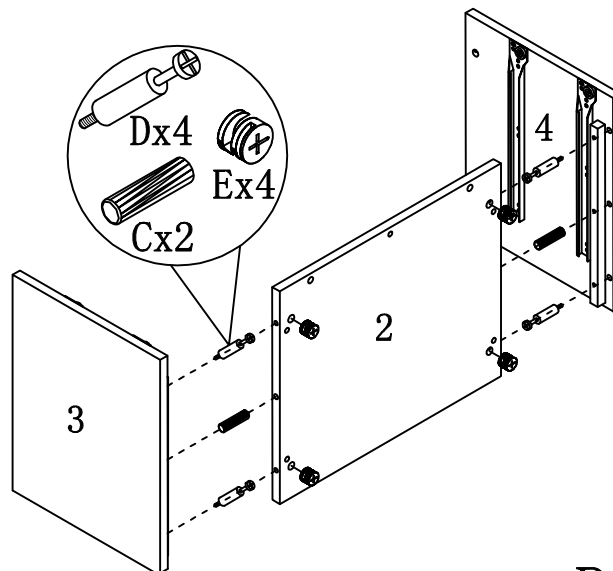
ITEM#: MB2203

<p>HOW TO</p>  <p>Cam Bolt</p>  <p>Cam Lock</p>	<p>1</p> 	<p>2</p> 	<p>3</p> 	<p>4</p>  <p>180°</p>
	<p>1. Screw Cam Bolt into panel.</p>	<p>2. Insert Cam Bolt into bolt hole of joining panel.</p>	<p>3. Insert Cam Lock. arrow facing bolt.</p>	<p>4. Gently turn Cam Lock clockwise to lock position.</p>



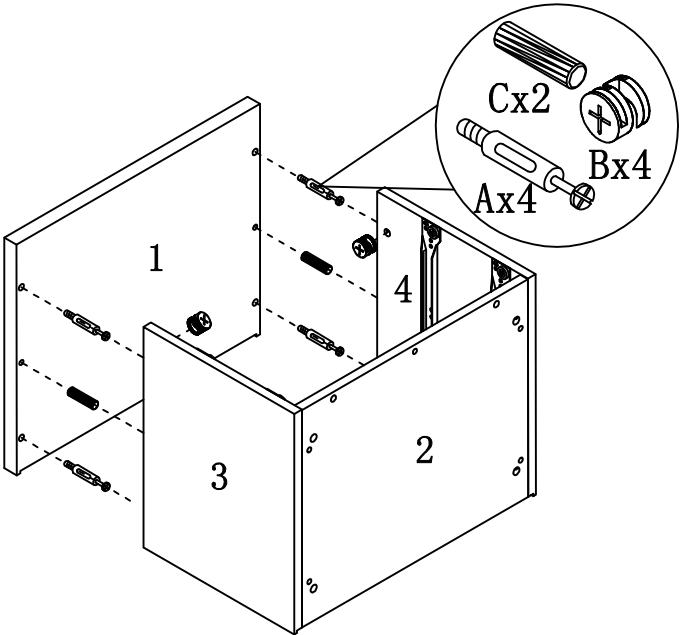
STEP1

STEP2



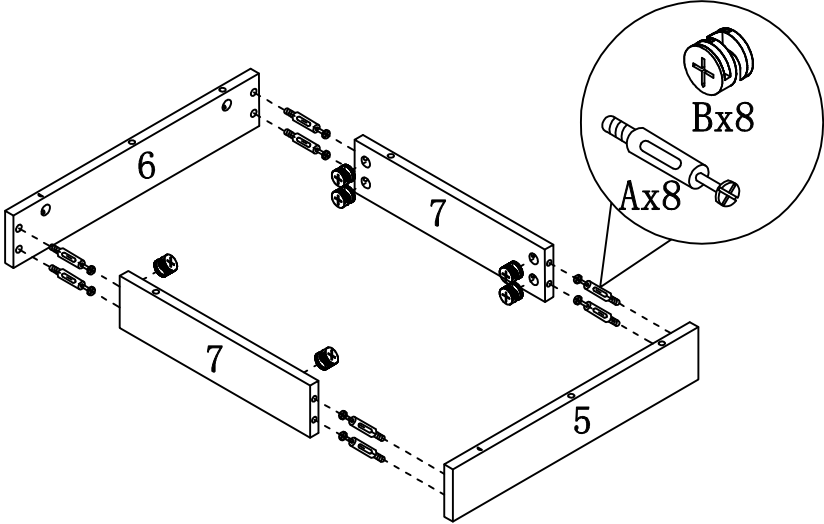
ASSEMBLY INSTRUCTION

ITEM#:MB2203



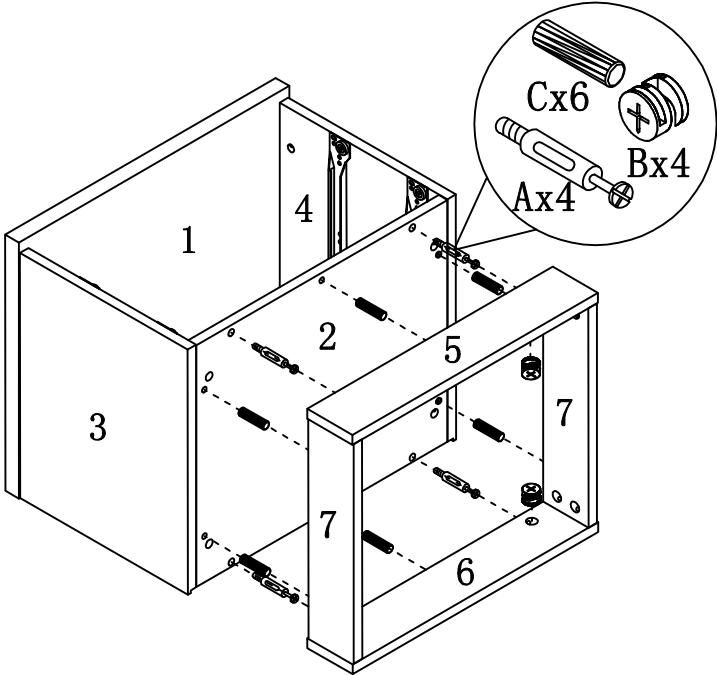
STEP3

STEP4



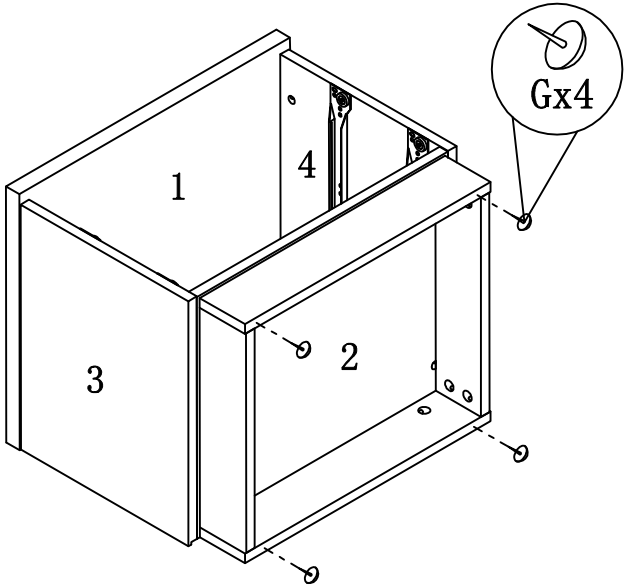
ASSEMBLY INSTRUCTION

ITEM#:MB2203



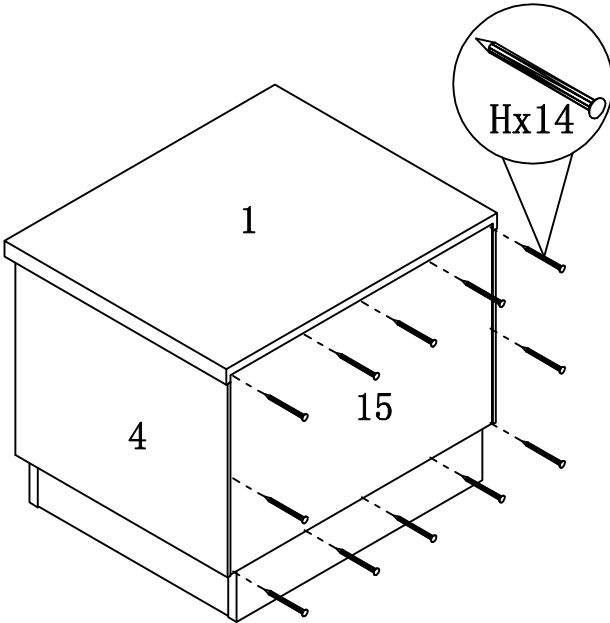
STEP5

STEP6



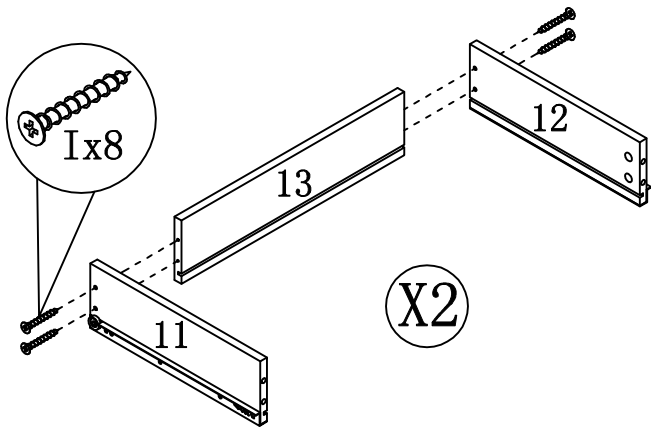
ASSEMBLY INSTRUCTION

ITEM#:MB2203



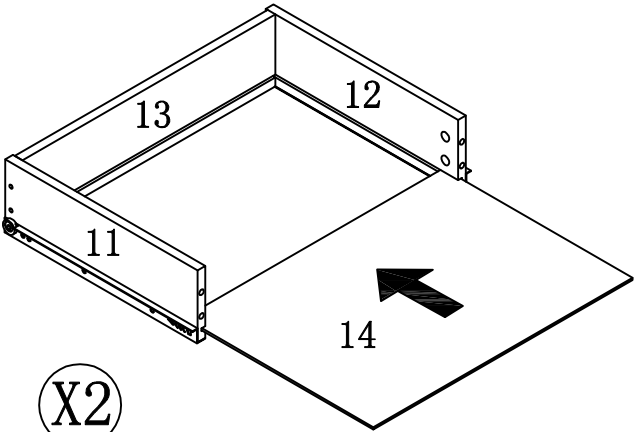
STEP7

STEP8



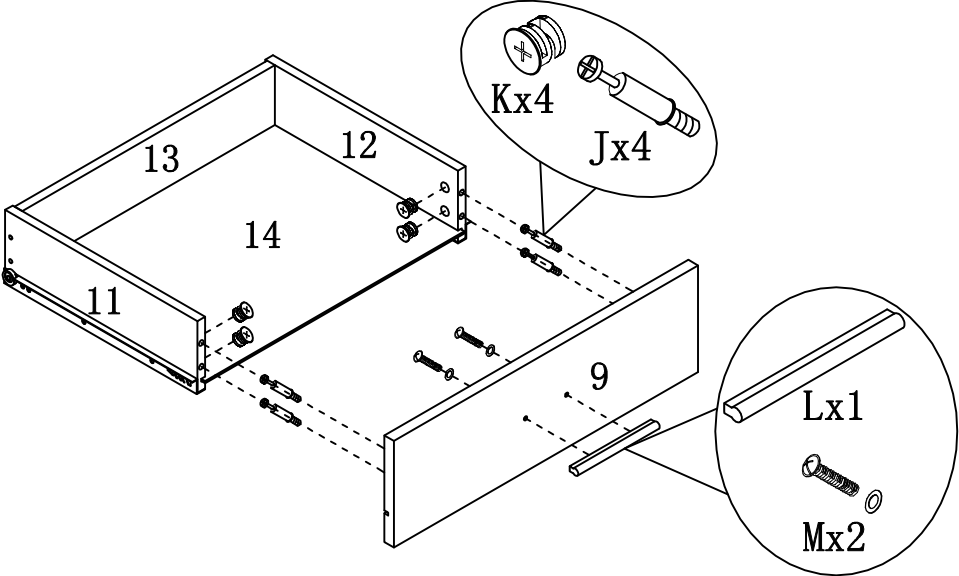
ASSEMBLY INSTRUCTION

ITEM#: MB2203



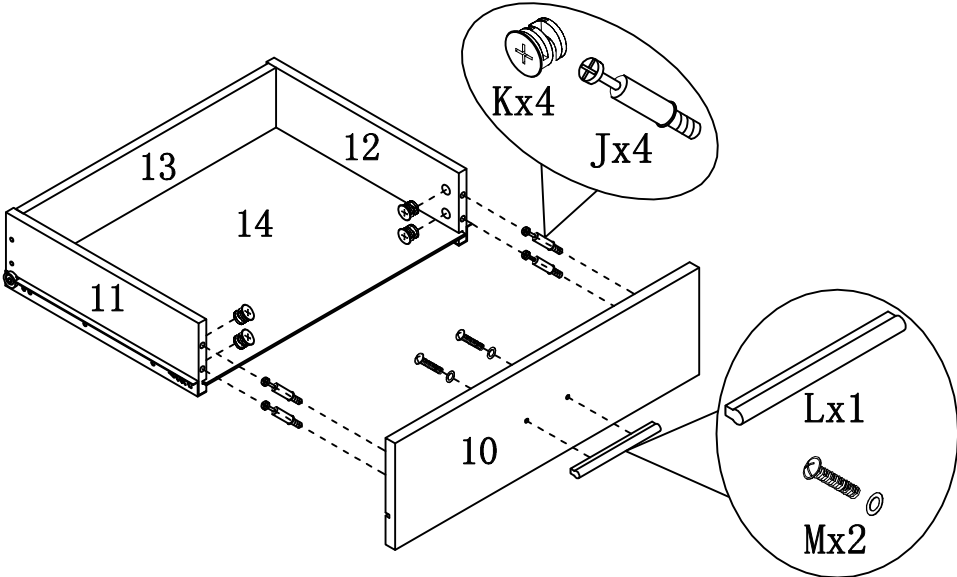
STEP9

STEP10



ASSEMBLY INSTRUCTION

ITEM#:MB2203



STEP11

STEP12

