

ASSEMBLY INSTRUCTION

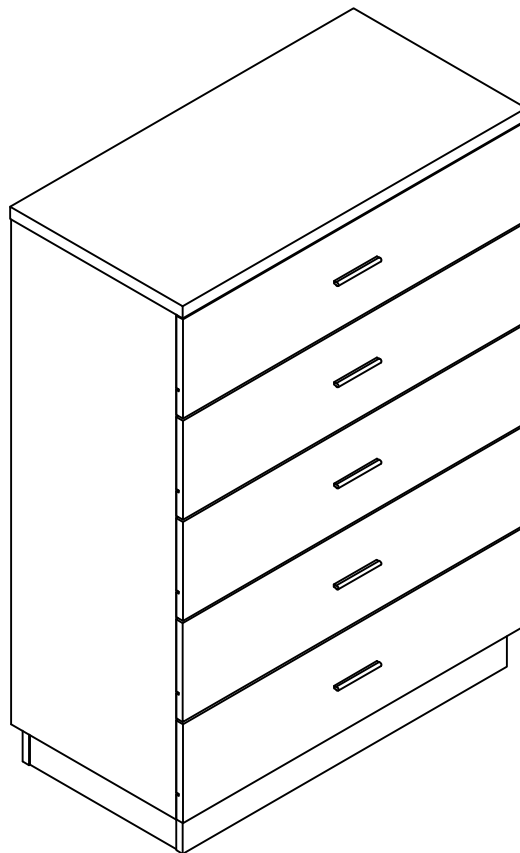
PLEASE READ BEFORE ASSEMBLING!

Tip #1: Make sure you've taken all the pieces and hardware out of its packaging before discarding the box.

Tip #2: Using page 2 and/or page 3 of instruction manual make sure all pieces and hardware are accounted for.

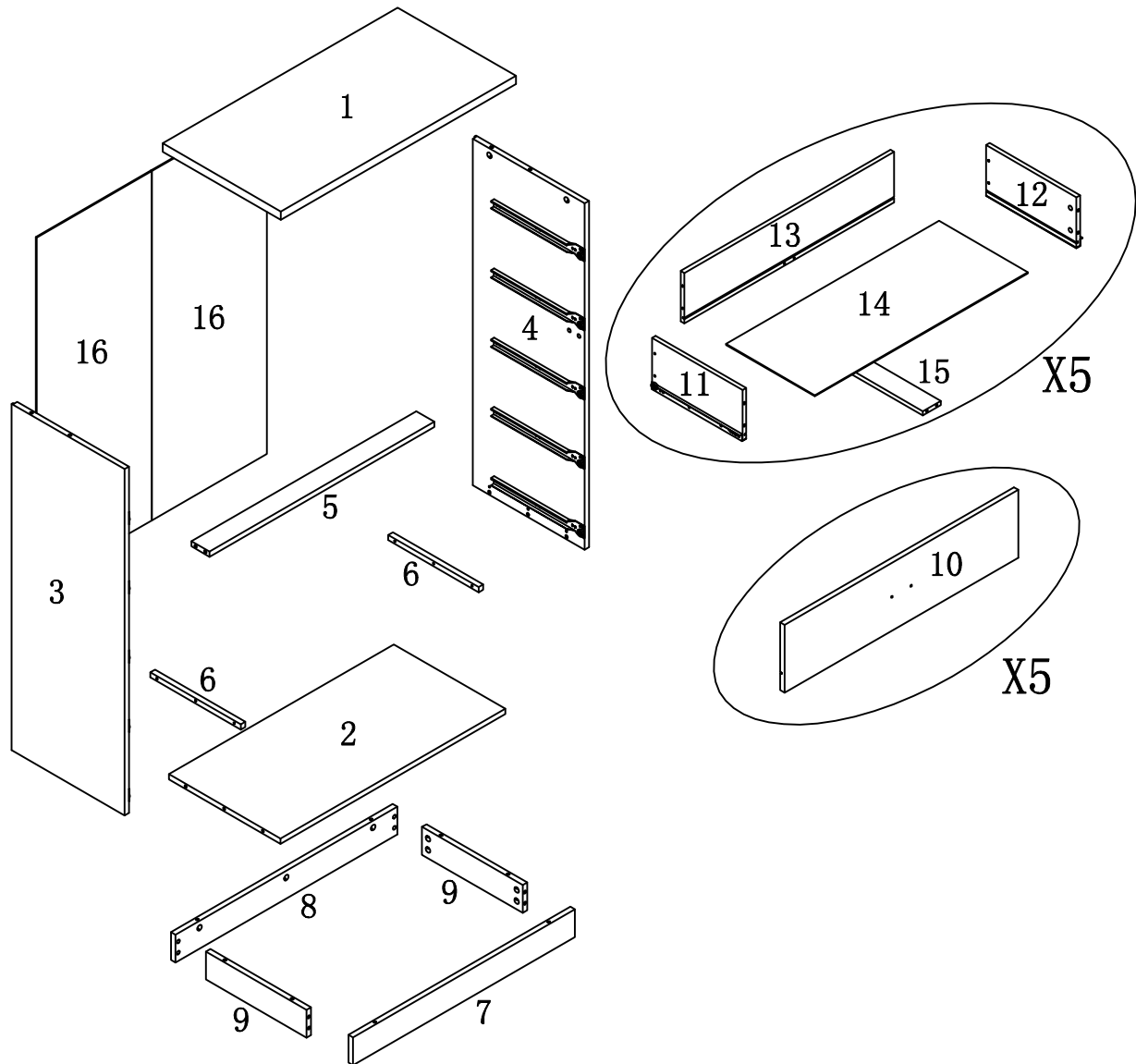
Tip #3: Read manual before assembling, it helps!

ITEM#: MB2206



PARTS IDENTIFICATION

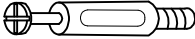


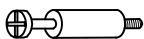

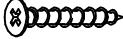


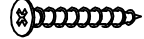
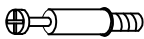

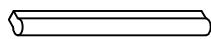


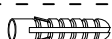


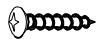

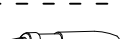
ITEM#: MB2206



(1)	1pc	(6)	2pcs	(11)	5pcs	(16)	2pcs
(2)	1pc	(7)	1pc	(12)	5pcs		
(3)	1pc	(8)	1pc	(13)	5pcs		
(4)	1pc	(9)	2pcs	(14)	5pcs		
(5)	1pc	(10)	5pcs	(15)	5pcs		

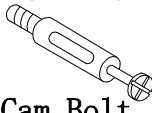

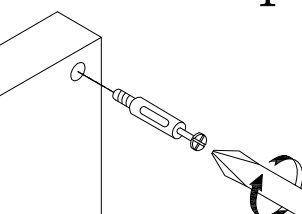
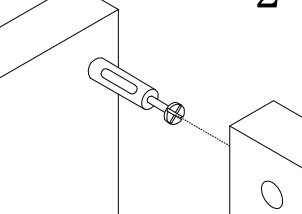
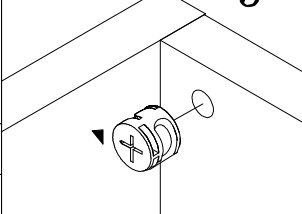
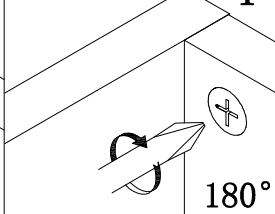
HARDWARE IDENTIFICATION

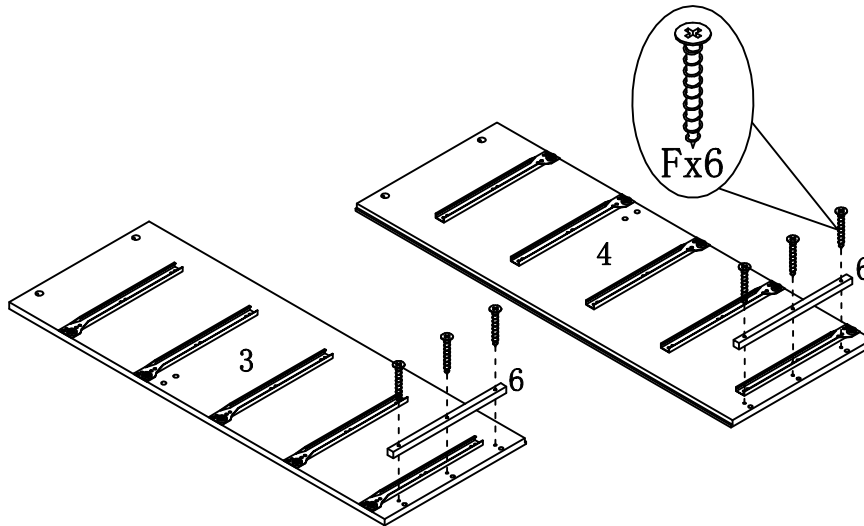
ITEM#: MB2206

A		L29	22pcs
B		φ 15	22pcs
C		φ 8 x 25	8pcs
D		L24	4pcs
E		φ 12	4pcs
F		∅4 x 25	6pcs
G		φ 16	4pcs
H			34pcs
I		∅4 x 30	30pcs
J		L20	20pcs
K		φ 12	20pcs
L		#64	5pcs
M		∅4 x 22	10pcs
N		φ 6 x 30	10pcs
O		∅8x40	1pc
P		∅12x12x1	2pcs
Q		∅5x40	1pc
R		∅4x25	1pc
S		197×5×1	1pc
T		Glue: For securing please apply to wood dowel first before inserting into panel	1pc

ASSEMBLY INSTRUCTION

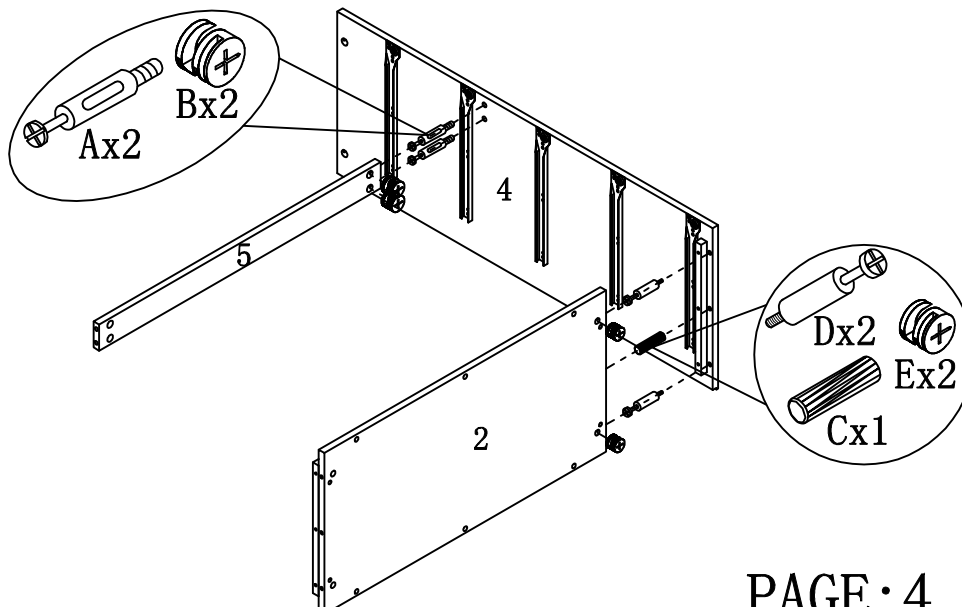
ITEM#: MB2206

<p>HOW TO</p>  <p>Cam Bolt</p>  <p>Cam Lock</p>	<p>1</p> 	<p>2</p> 	<p>3</p> 	<p>4</p>  <p>180°</p>
	<p>1. Screw Cam Bolt into panel.</p>	<p>2. Insert Cam Bolt into bolt hole of joining panel.</p>	<p>3. Insert Cam Lock. arrow facing bolt.</p>	<p>4. Gently turn Cam Lock clockwise to lock position.</p>



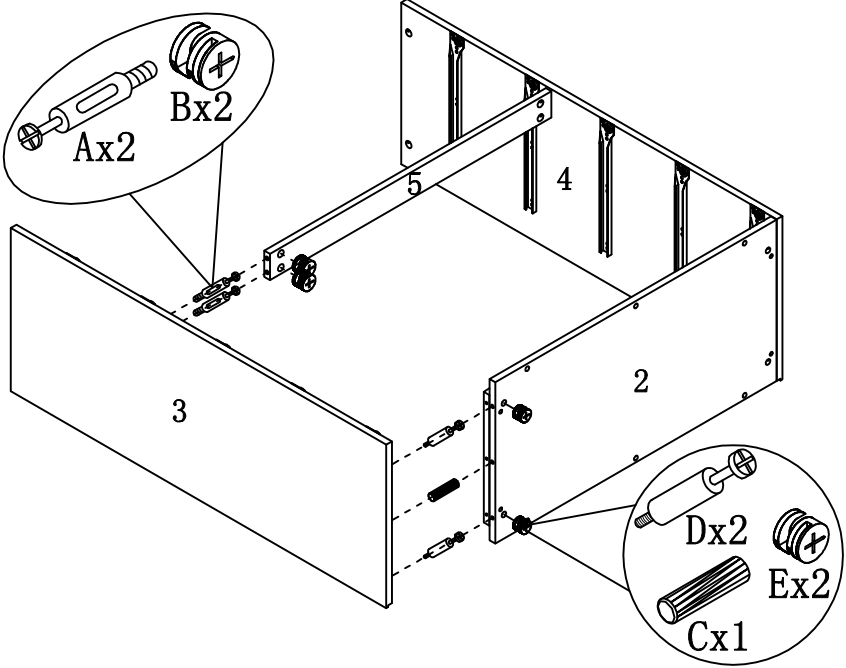
STEP1

STEP2



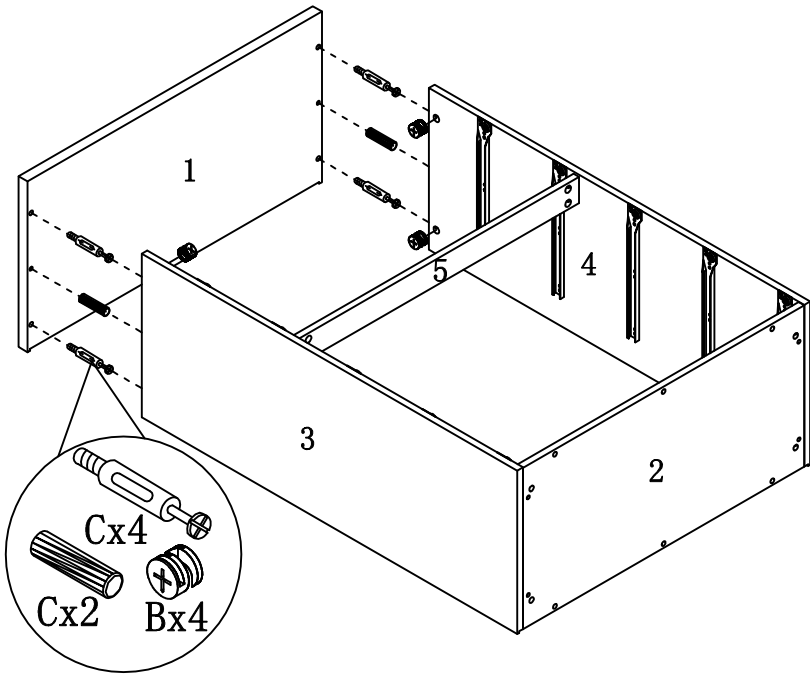
ASSEMBLY INSTRUCTION

ITEM#:MB2206



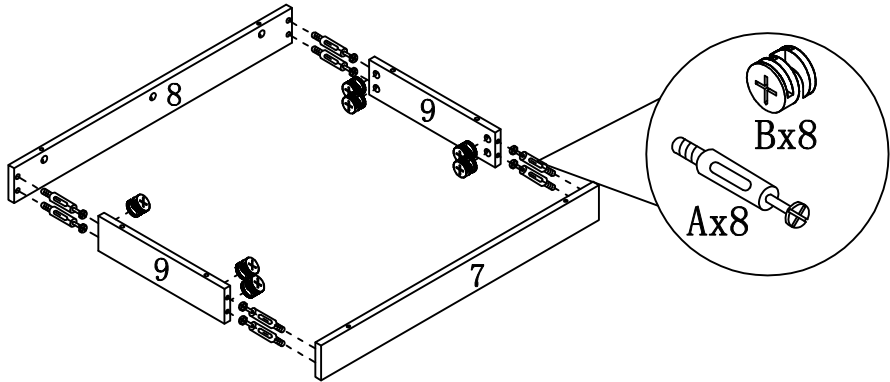
STEP3

STEP4



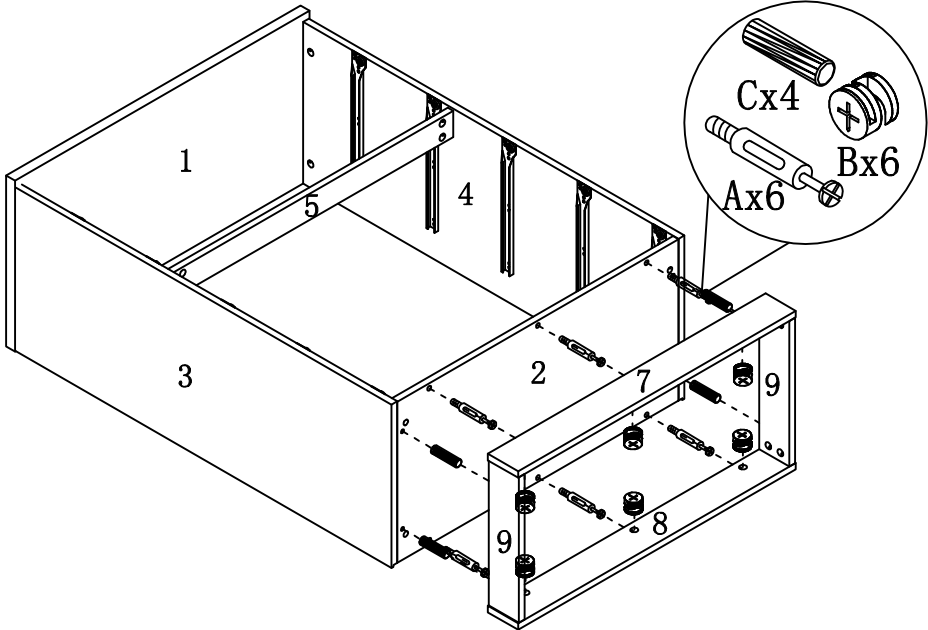
ASSEMBLY INSTRUCTION

ITEM#:MB2206



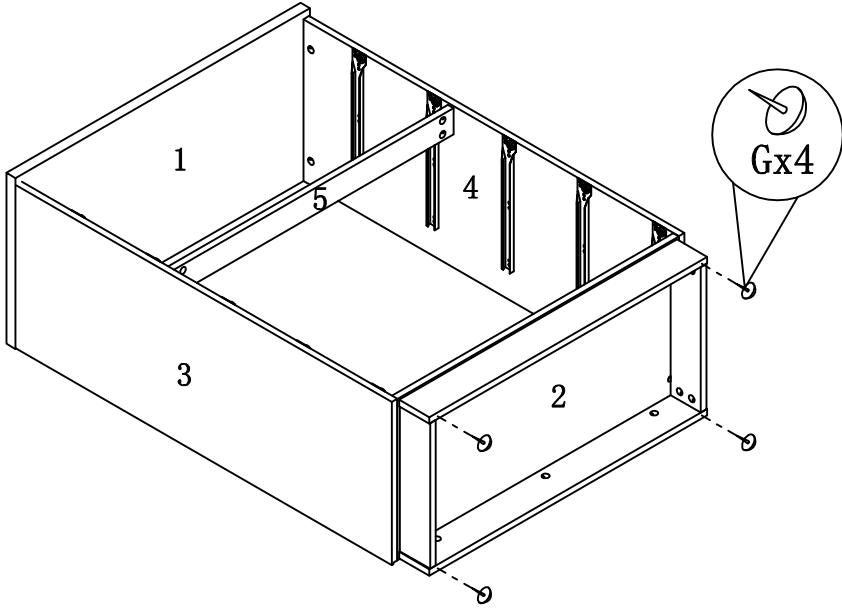
STEP5

STEP6



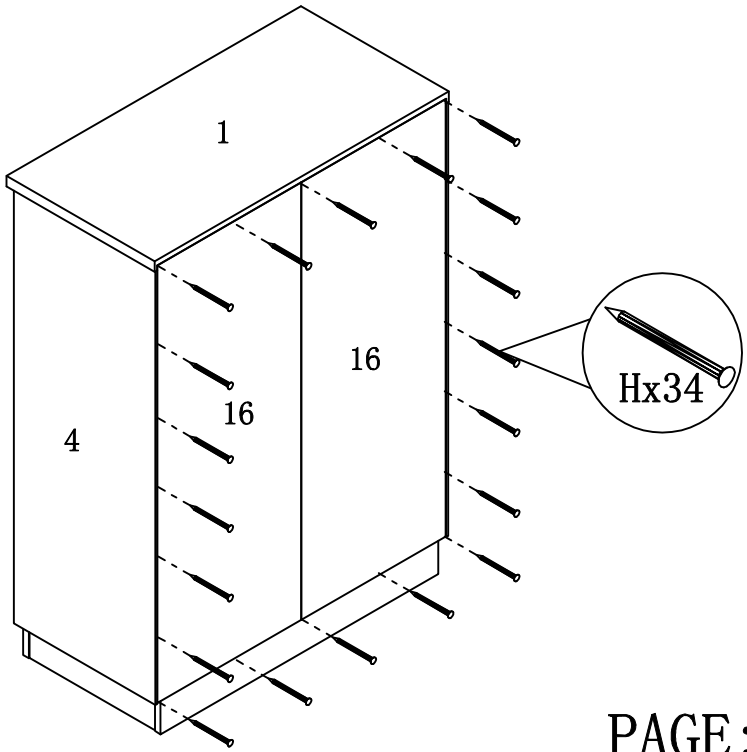
ASSEMBLY INSTRUCTION

ITEM#:MB2206



STEP7

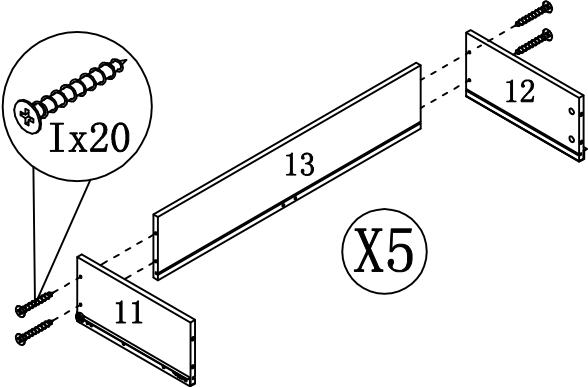
STEP8



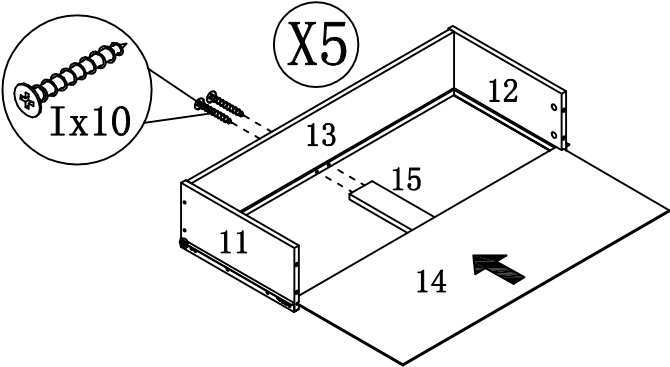
ASSEMBLY INSTRUCTION

ITEM#:MB2206

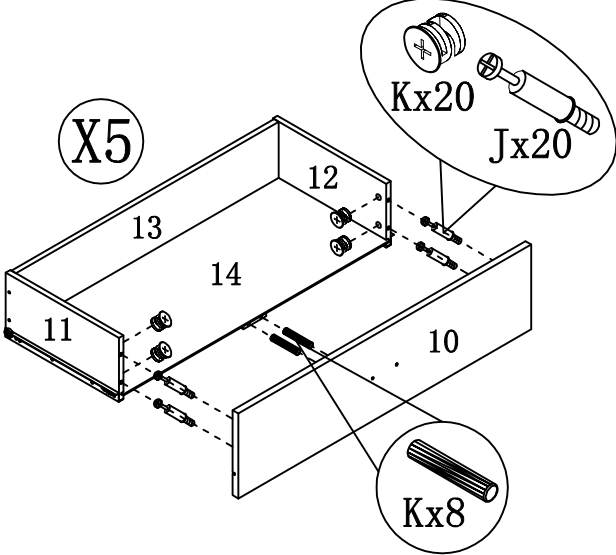
STEP9



STEP10

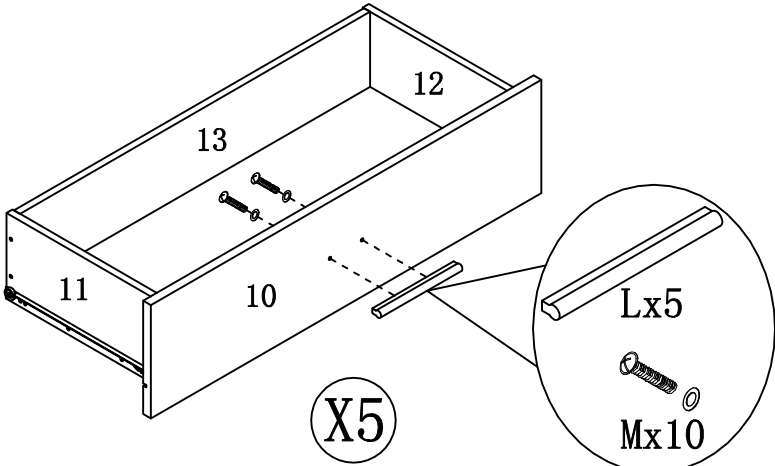


STEP11



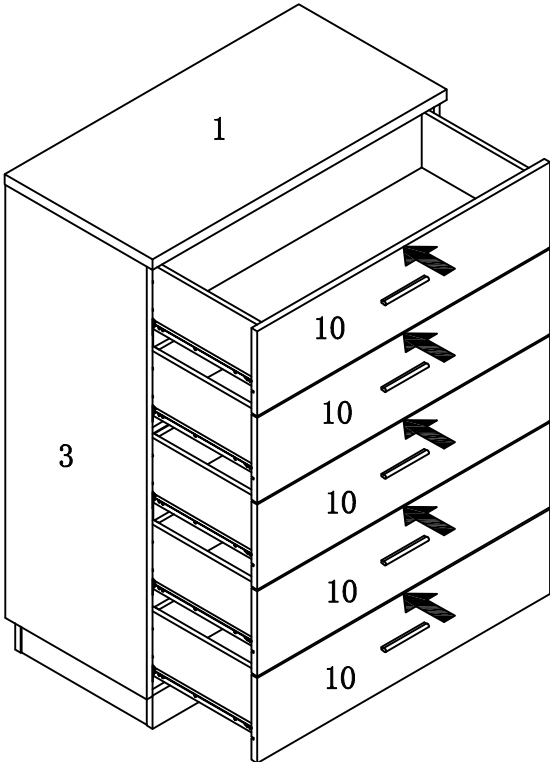
ASSEMBLY INSTRUCTION

ITEM#:MB2206



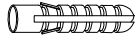
STEP12

STEP13

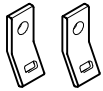


ANTI-TIPPING STRAP INSTRUCTION

HARDWARE (INCLUDED) :



DRYWALL ANCHOR $\phi 8 \times 40$ X 1PC



METAL BRACKETS $12 \times 12 \times 1$ X 2PCS



DRYWALL SCREW $\phi 5 \times 40$ X 1PC

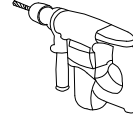


STRAP $197 \times 5 \times 1$ X 1PC



FLATHEAD SCREW $\phi 4 \times 25$ X 1PC

TOOLS NEEDED (NOT INCLUDED) :



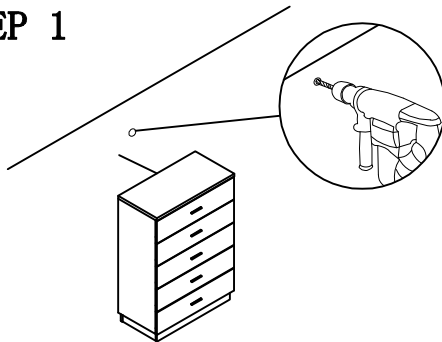
DRILL & DRILL BIT



LIGHT HAMMER

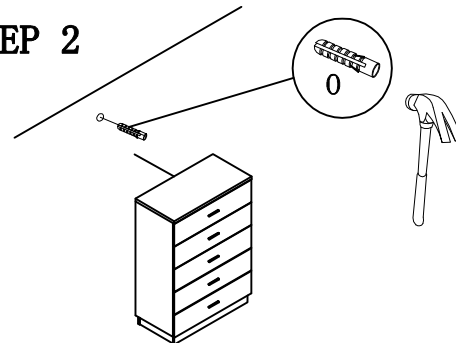
Note: Hardware included only compatible with standard drywalls.

STEP 1



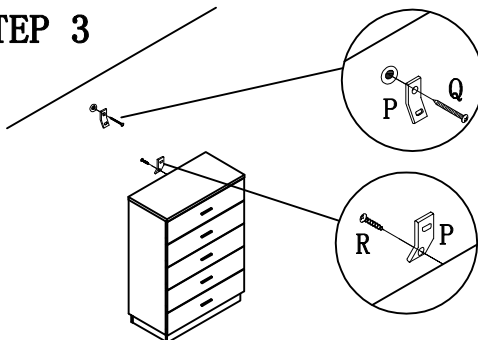
1. Find spot on wall 1" below top of item.
2. Using a drill bit slightly thinner than anchor, drill hole into drywall.

STEP 2



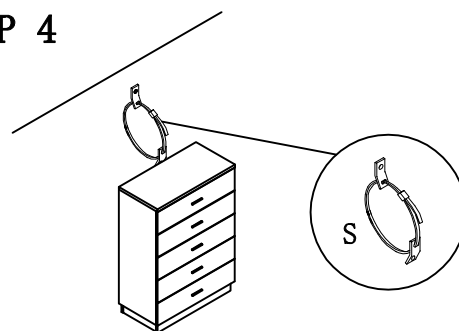
1. Use a light hammer to tap anchor into hole.
2. Anchor should fit snugly. If hole is too small, drill again to increase hole size. Do not force anchor into wall.

STEP 3



1. Insert drywall screw into metal bracket and into drywall anchor.
2. Insert flathead screw into second metal bracket and into back of item along top edge.

STEP 4



1. Insert strap thru bracket attached to wall, then thru bracket on item, and into head of strap.
 2. pull lightly til strap stops.
- Assembly is complete.