

ASSEMBLY INSTRUCTION

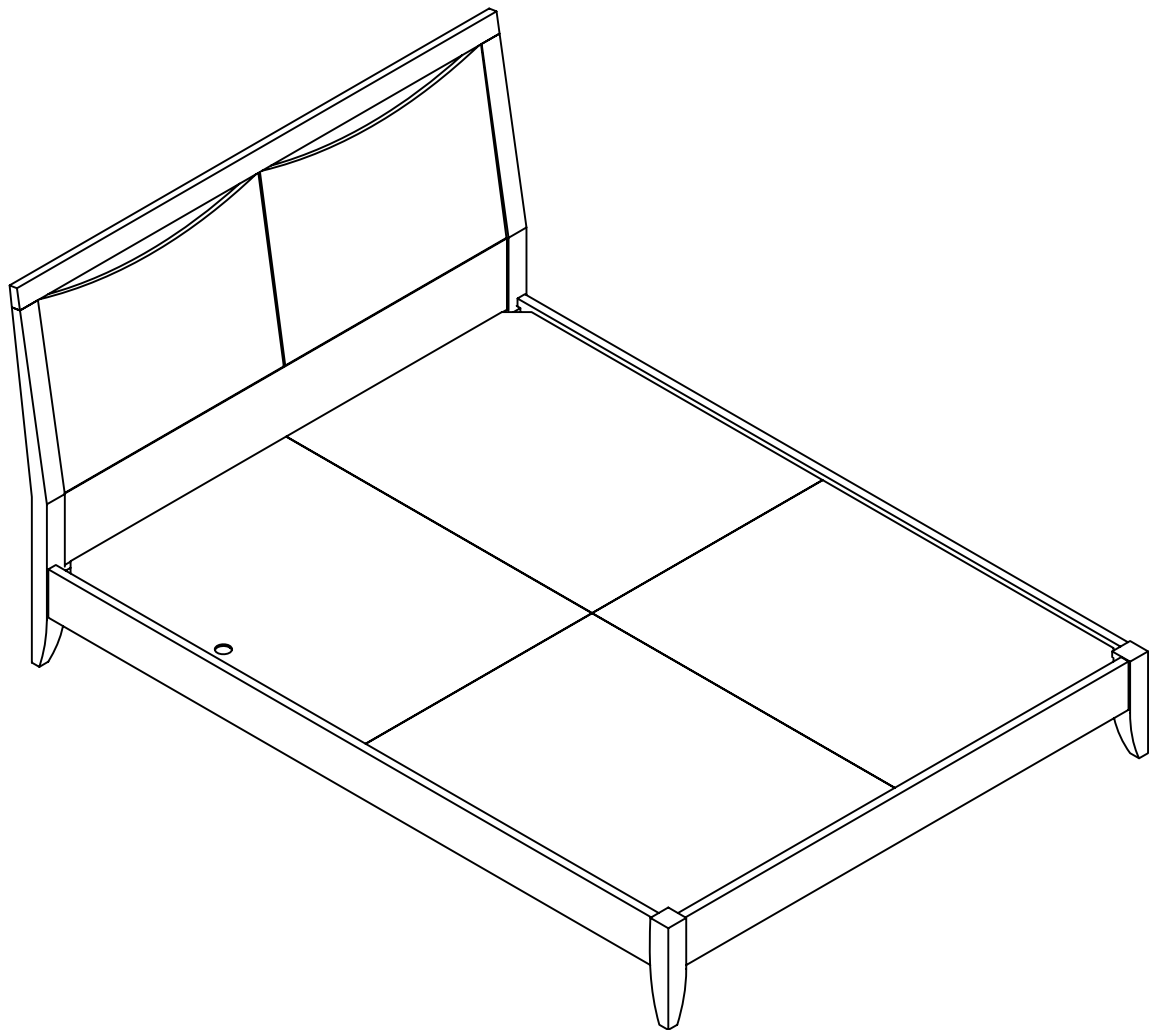
PLEASE READ BEFORE ASSEMBLING!

Tip #1: Make sure you've taken all the pieces and hardware out of its packaging before discarding the box.

Tip #2: Using page 2 and/or page 3 of instruction manual make sure all pieces and hardware are accounted for.

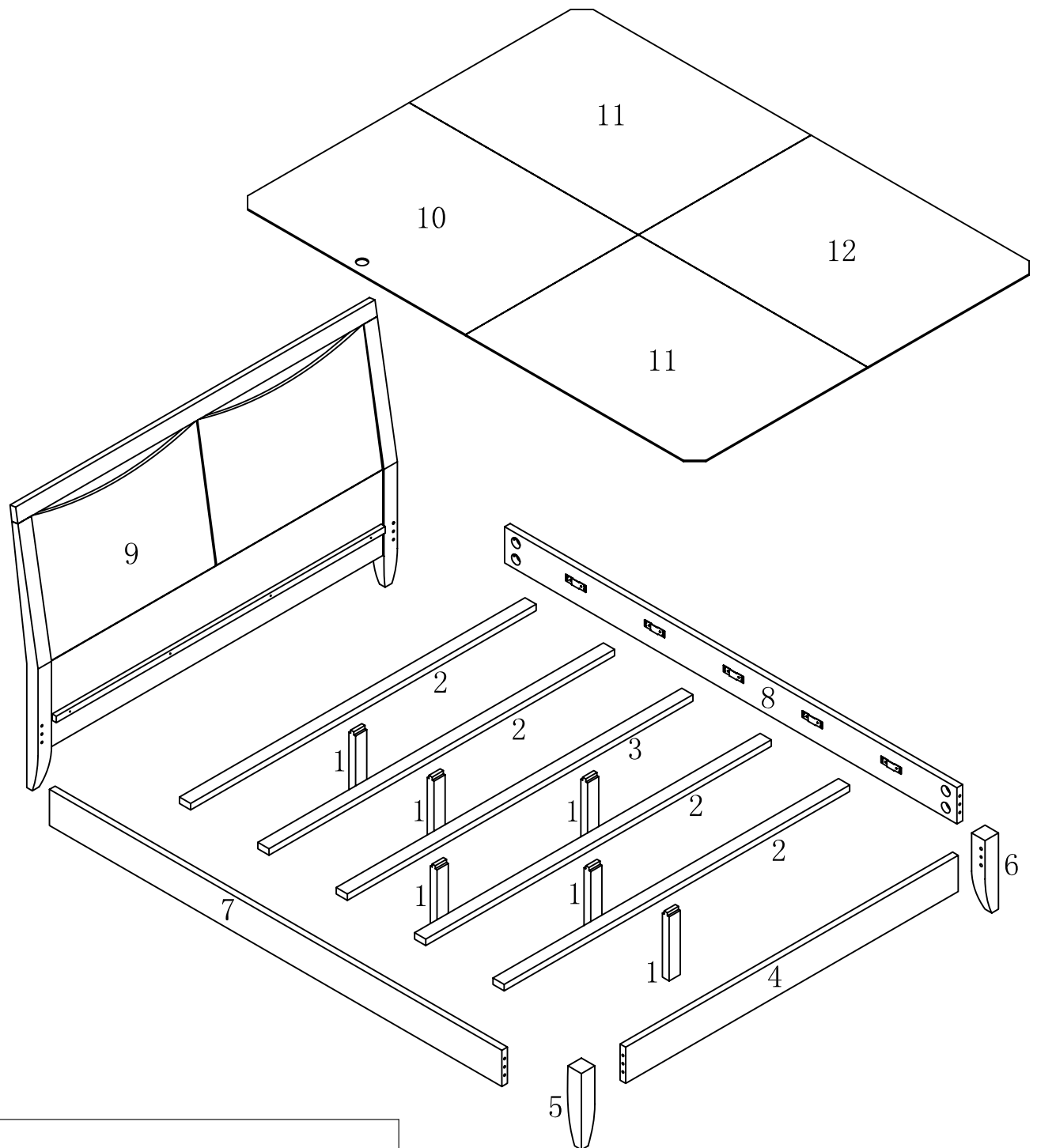
Tip #3: Read manual before assembling, it helps!

ITEM#: 8902Q



PARTS IDENTIFICATION


ITEM#: 8902Q



(1)	6pcs	(7)	1pc
(2)	4pcs	(8)	1pc
(3)	1pc	(9)	1pc
(4)	1pc	(10)	1pc
(5)	1pc	(11)	2pcs
(6)	1pc	(12)	1pc

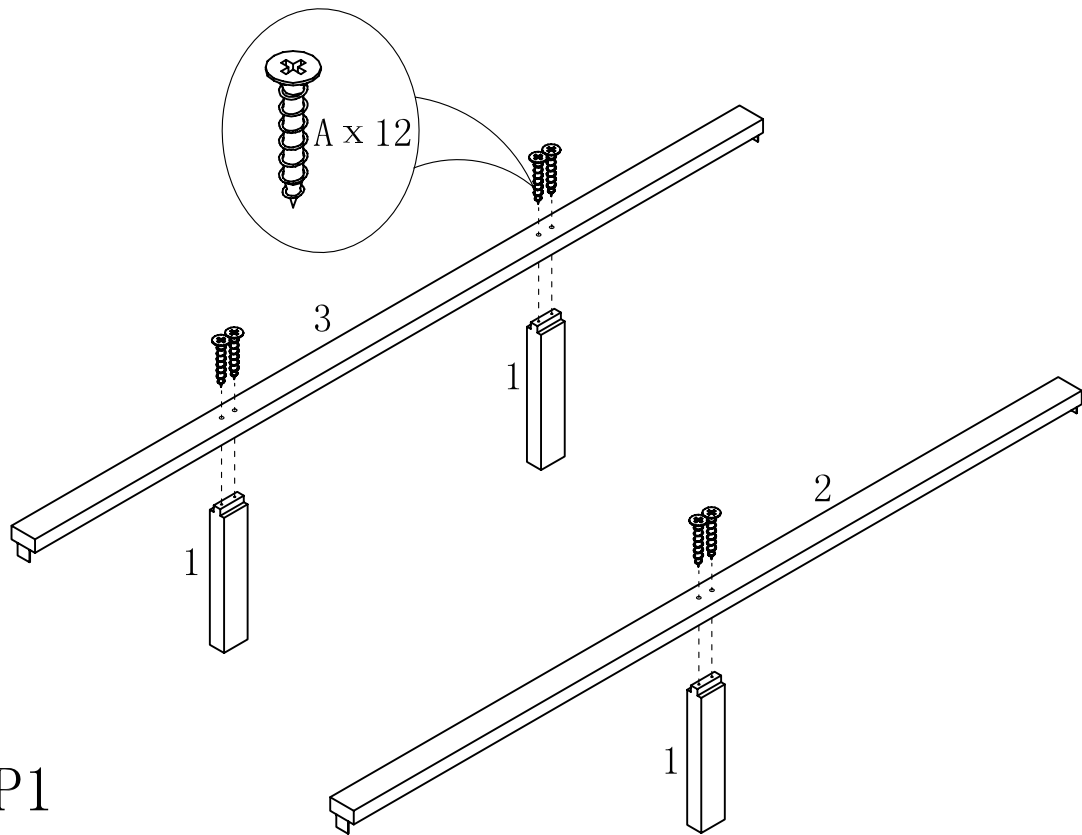
HARDWARE IDENTIFICATION

ITEM#: 8902Q

A		$\phi 4 \times 40$	12pcs
B		$\phi 4.2 \times 20$	8pcs
C		$\phi 6 \times 12$	8pcs
D		$\phi 8 \times 25$	6pcs
E		L29	4pcs
F		$\phi 15$	4pcs
G		$\phi 8 \times 70$	4pcs
H		M8	8pcs
I		12'	1pc
J		$\phi 8 \times 100$	4pcs
K		14'	1pc
L		105#	4pcs
M		It's used for stick the stopper to the connecting hole firmly	1pc

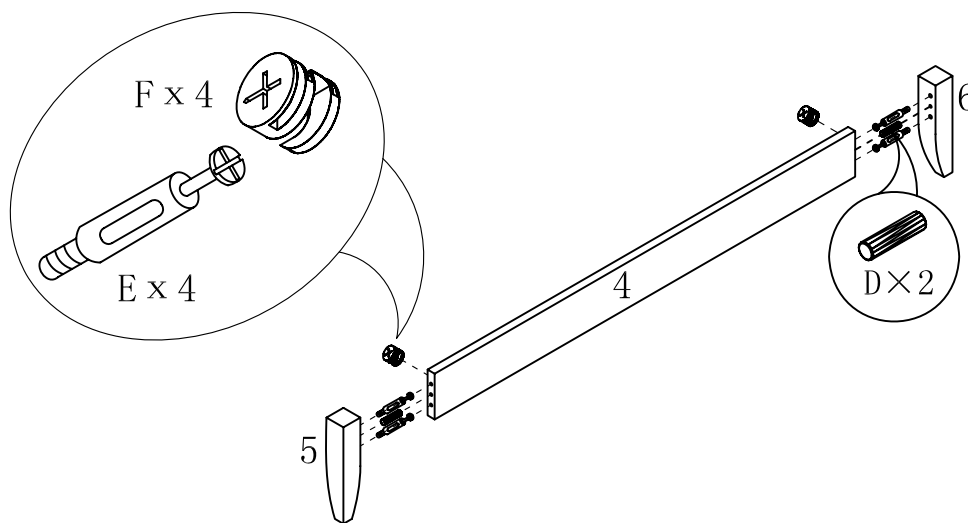
ASSEMBLY INSTRUCTION

ITEM#: 8902Q



STEP 1

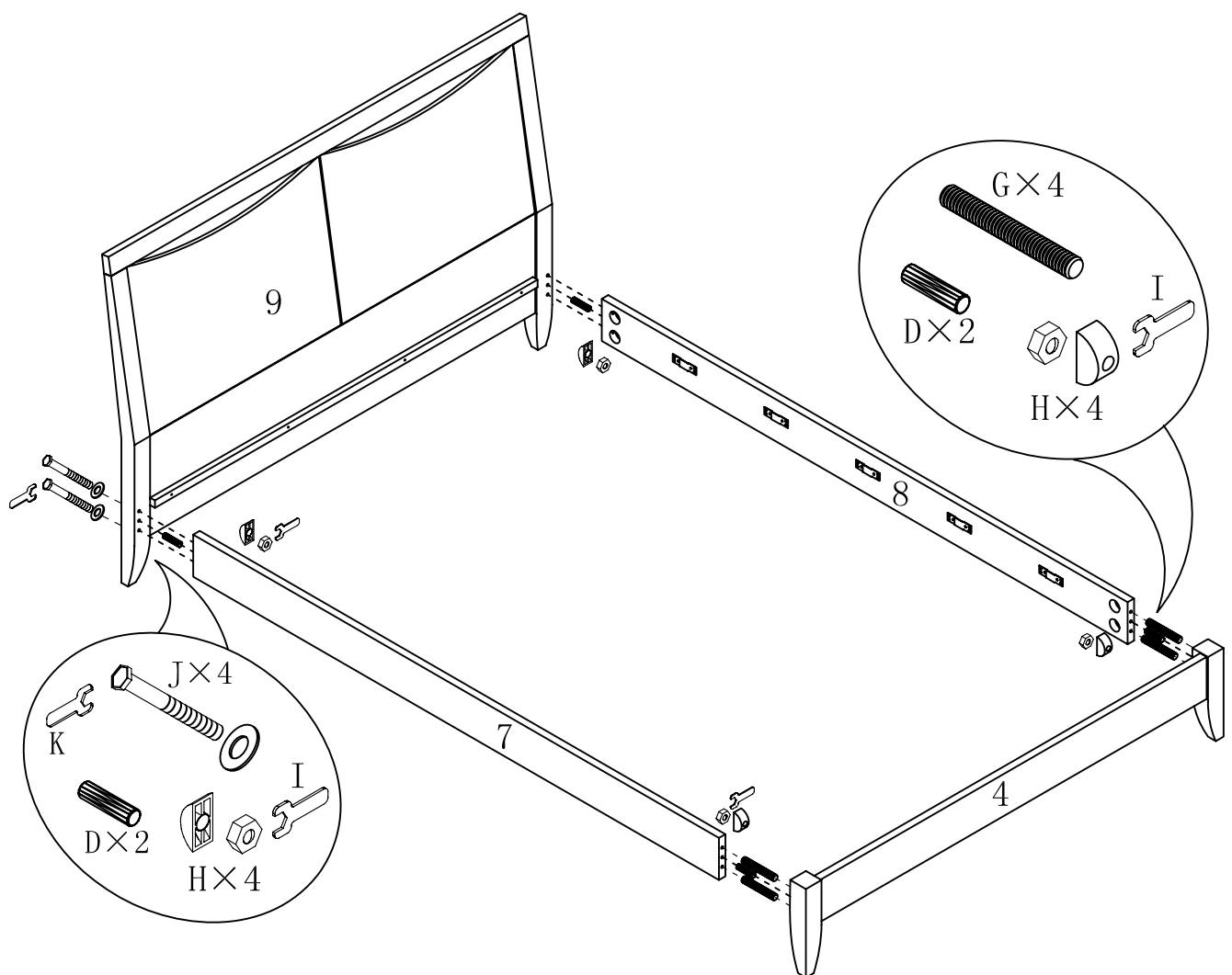
STEP 2



ASSEMBLY INSTRUCTION

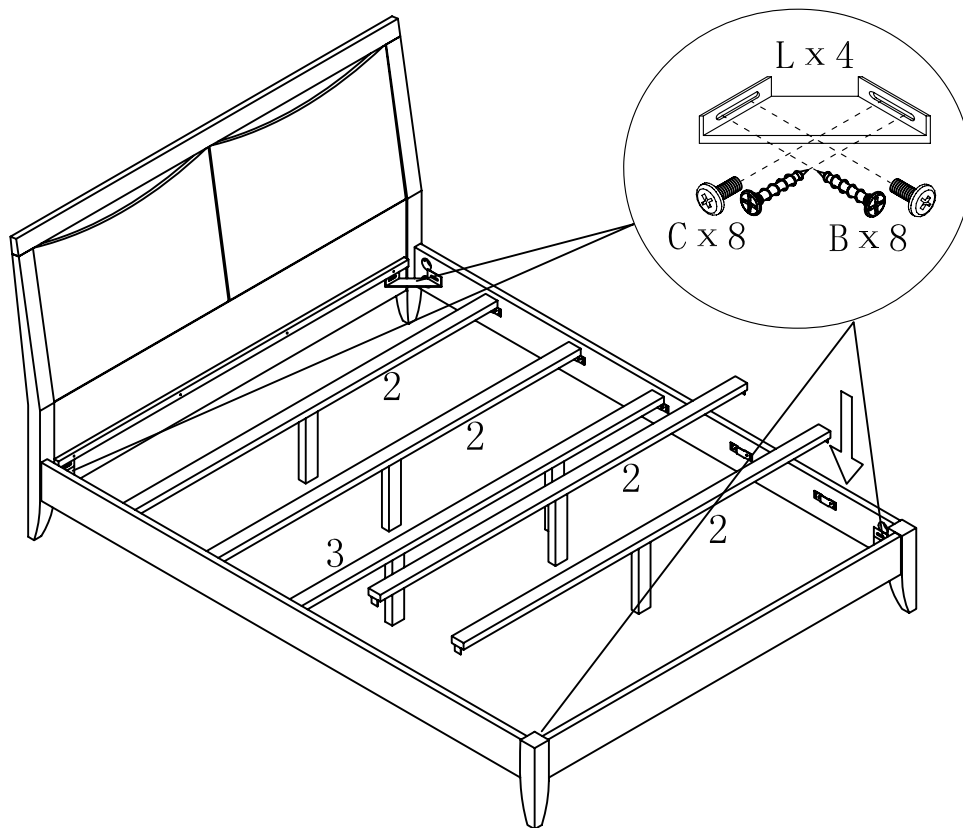
ITEM#: 8902Q

STEP 3



ASSEMBLY INSTRUCTION

ITEM#: 8902Q



STEP 4

STEP 5

