

ASSEMBLY INSTRUCTION

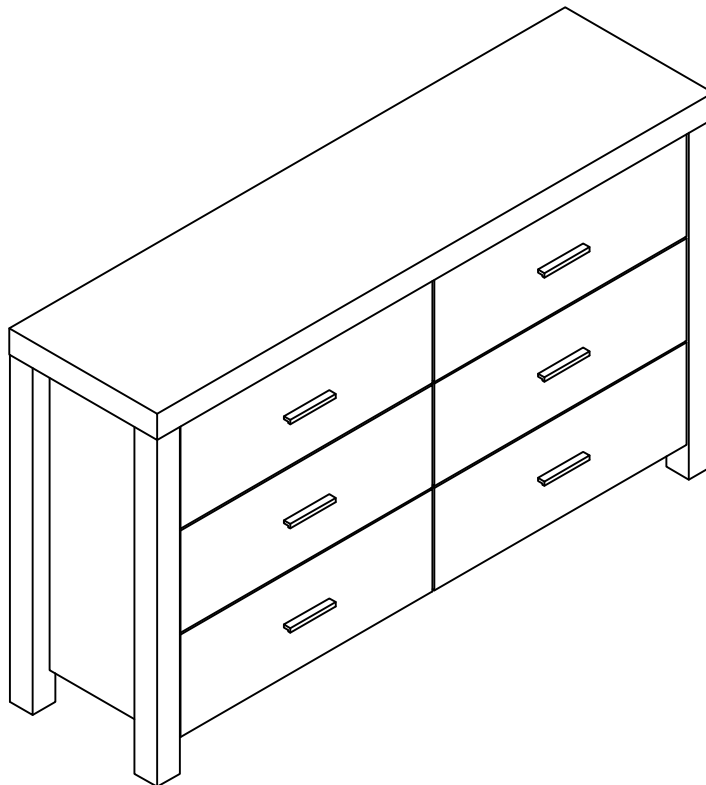
PLEASE READ BEFORE ASSEMBLING!

Tip #1: Make sure you've taken all the pieces and hardware out of its packaging before discarding the box.

Tip #2: Using page 2 and/or page 3 of instruction manual make sure all pieces and hardware are accounted for.

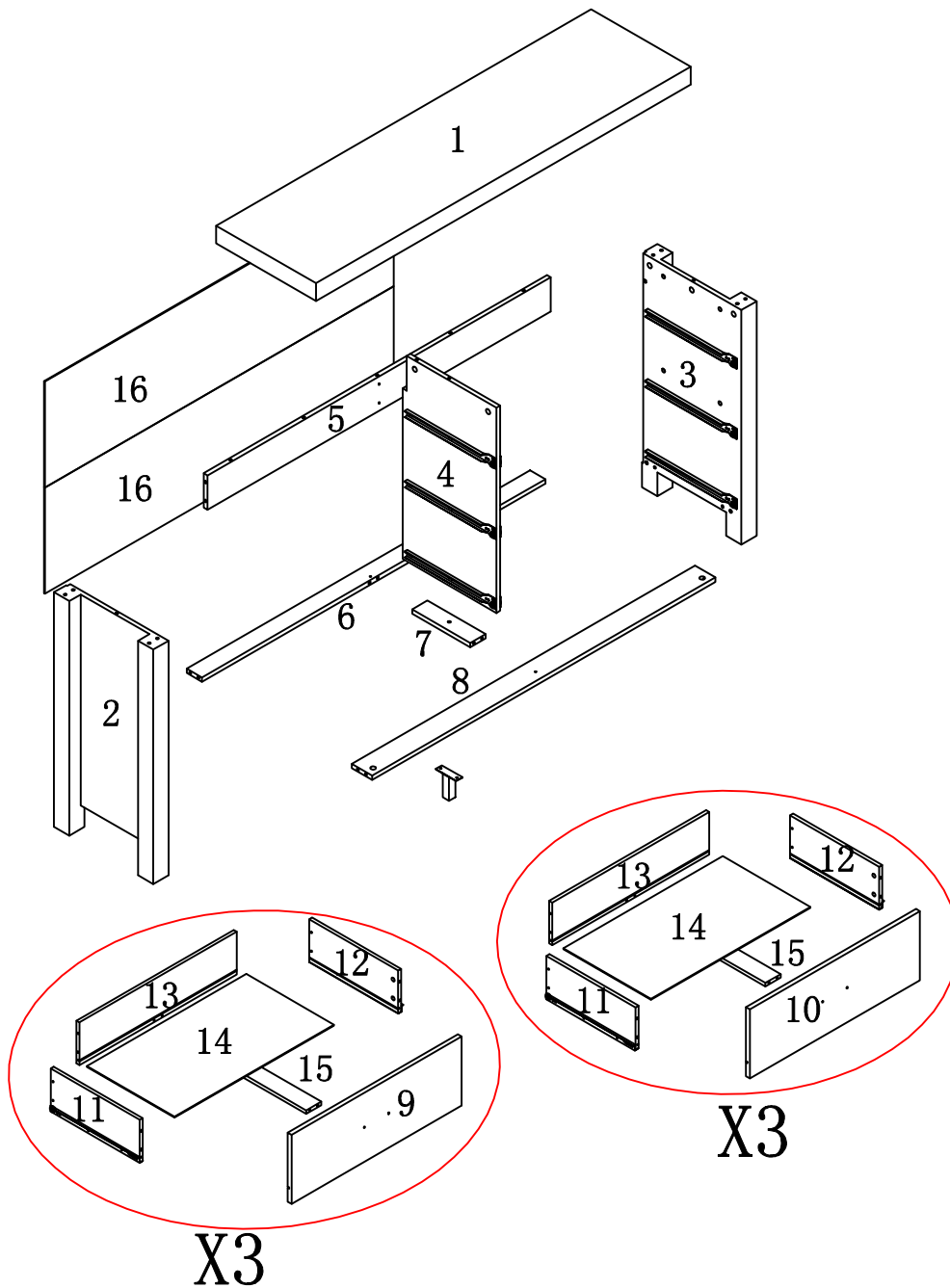
Tip #3: Read manual before assembling, it helps!

ITEM#: MB8910



PARTS IDENTIFICATION

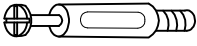




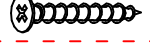


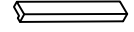






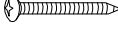
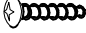


ITEM#: MB8910



(1)	1pc	(6)	1pc	(11)	6pcs	(16)	2pcs
(2)	1pc	(7)	1pc	(12)	6pcs		
(3)	1pc	(8)	1pc	(13)	6pcs		
(4)	1pc	(9)	3pcs	(14)	6pcs		
(5)	1pc	(10)	3pcs	(15)	6pcs		

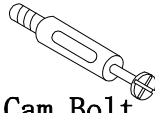

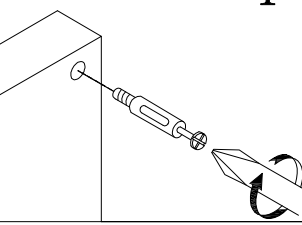
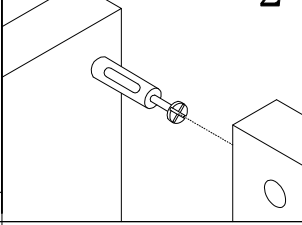
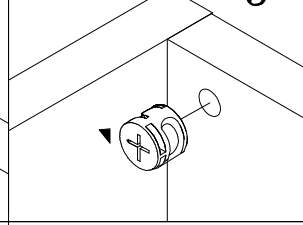
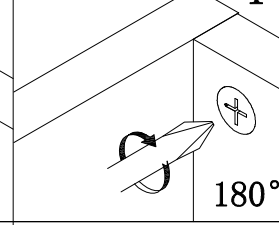
HARDWARE IDENTIFICATION

ITEM#: MB8910

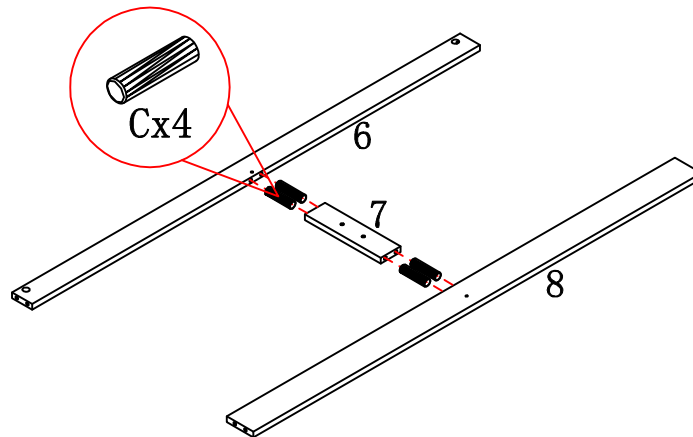
A		L29	16pcs
B		φ 15	16pcs
C		φ 8 x 25	19pcs
D			35pcs
E		φ 16	4pcs
F		ø4 x 30	40pcs
G		L20	24pcs
H		φ 12	24pcs
I		96#	6pcs
J		ø4 x 22	12pcs
K		ø6 x 30	12pcs
L		H=82	1pc
M		ø4 x 16	2pcs
N		ø8x40	1pc
O		ø12x12x1	2pcs
P		ø5x40	1pc
Q		ø4x25	1pc
R		197×5×1	1pc
S		Glue: For securing please apply to wood dowel first before inserting into panel	1pc

ASSEMBLY INSTRUCTION

ITEM#:MB8910

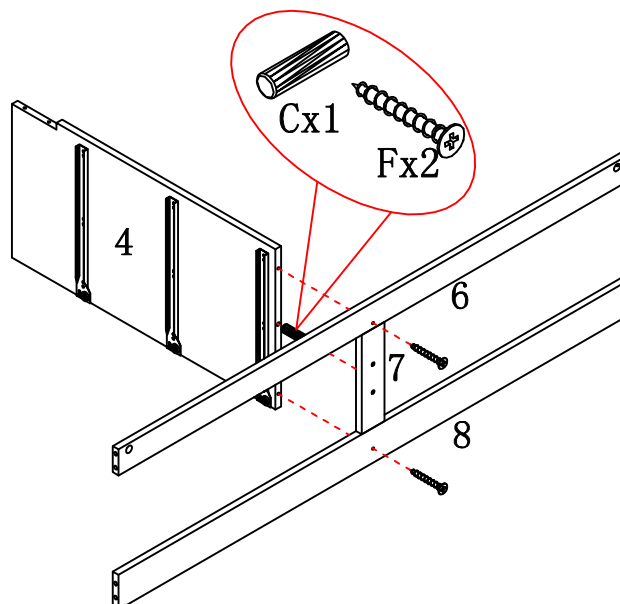
HOW TO  Cam Bolt  Cam Lock	1 	2 	3 	4  180°
	1. Screw Cam Bolt into panel.	2. Insert Cam Bolt into bolt hole of joining panel.	3. Insert Cam Lock. arrow facing bolt.	4. Gently turn Cam Lock clockwise to lock position.

STEP1



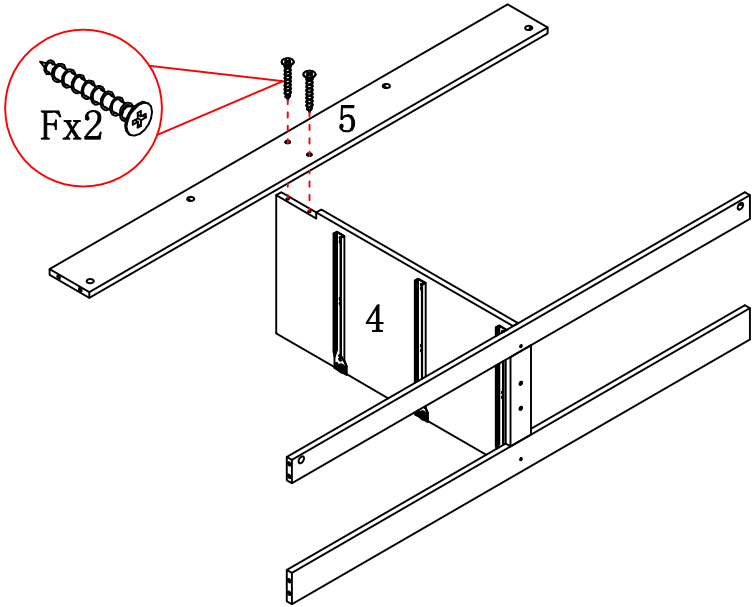
STEP1

STEP2



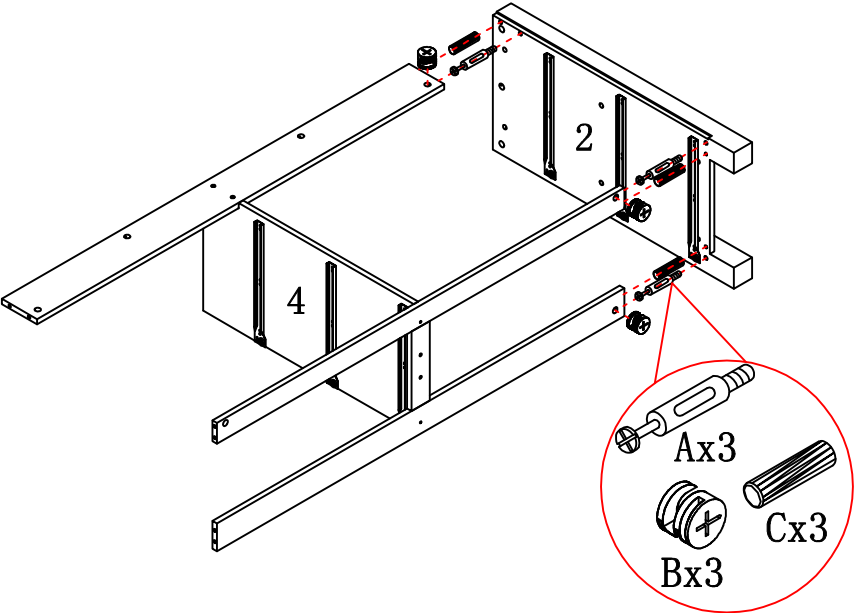
ASSEMBLY INSTRUCTION

ITEM#:MB8910



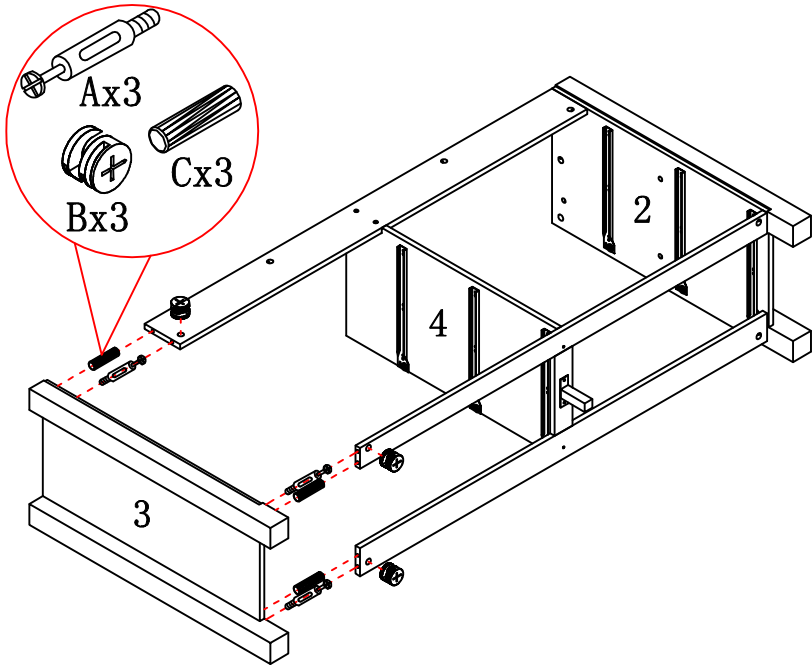
STEP3

STEP4



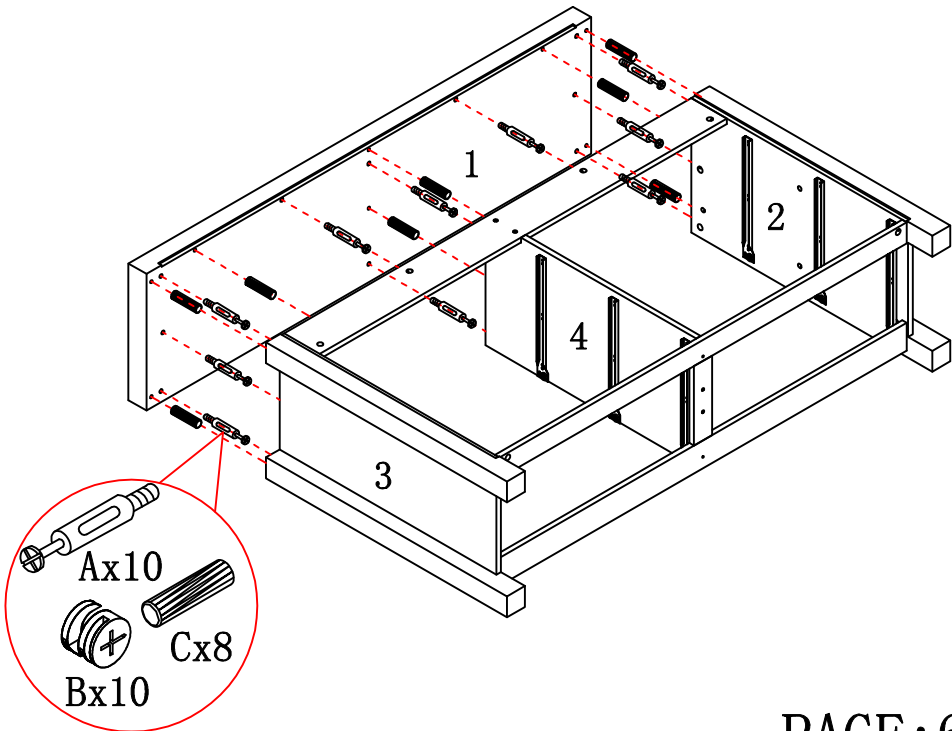
ASSEMBLY INSTRUCTION

ITEM#:MB8910



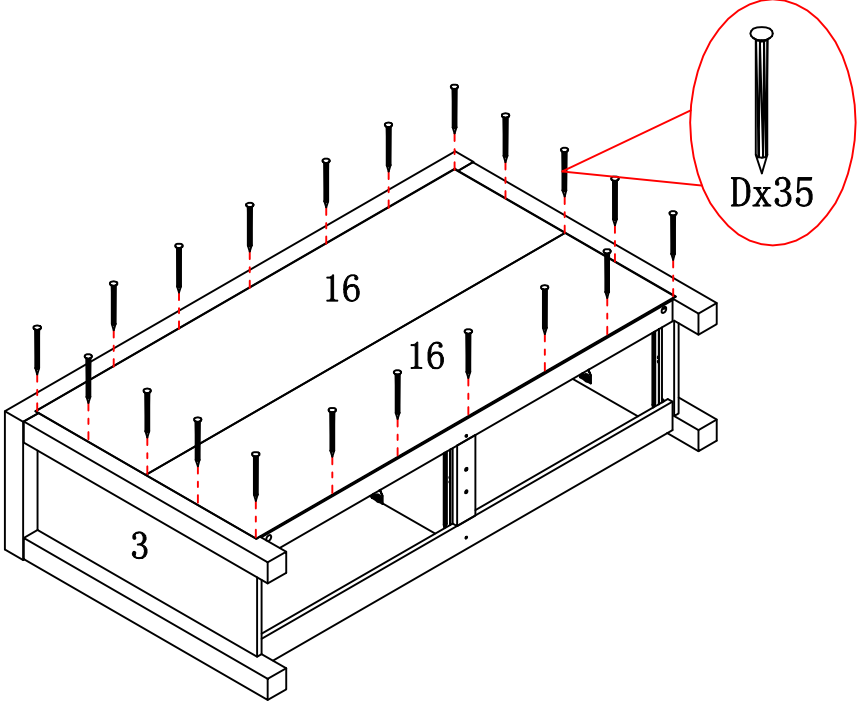
STEP5

STEP6



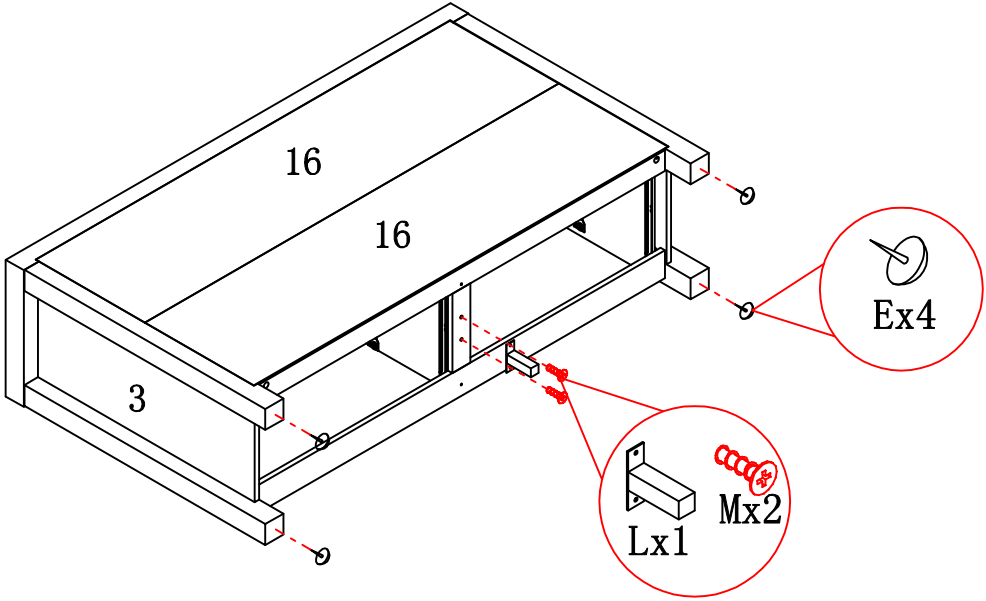
ASSEMBLY INSTRUCTION

ITEM#:MB8910



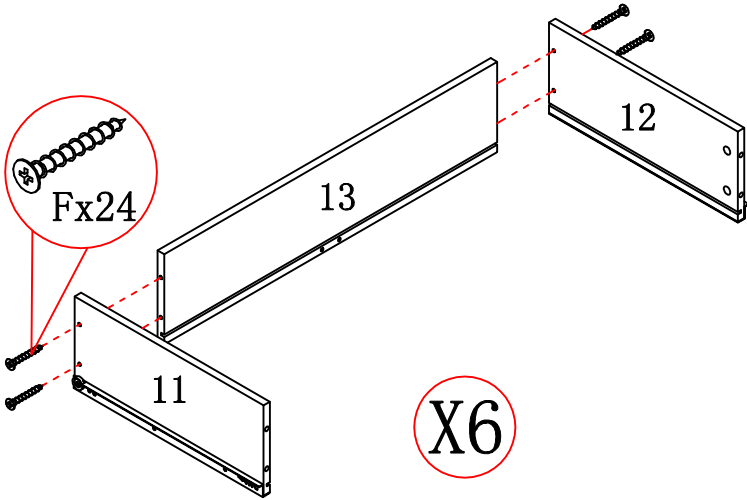
STEP7

STEP8



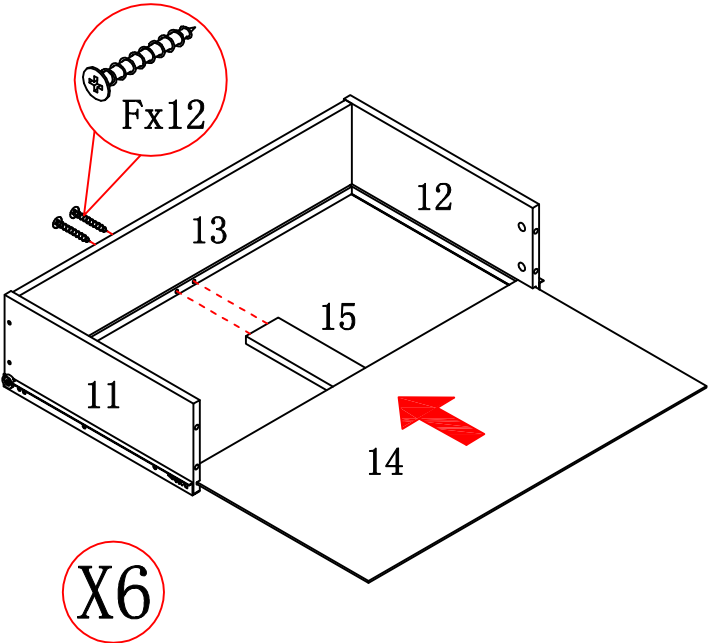
ASSEMBLY INSTRUCTION

ITEM#:MB8910



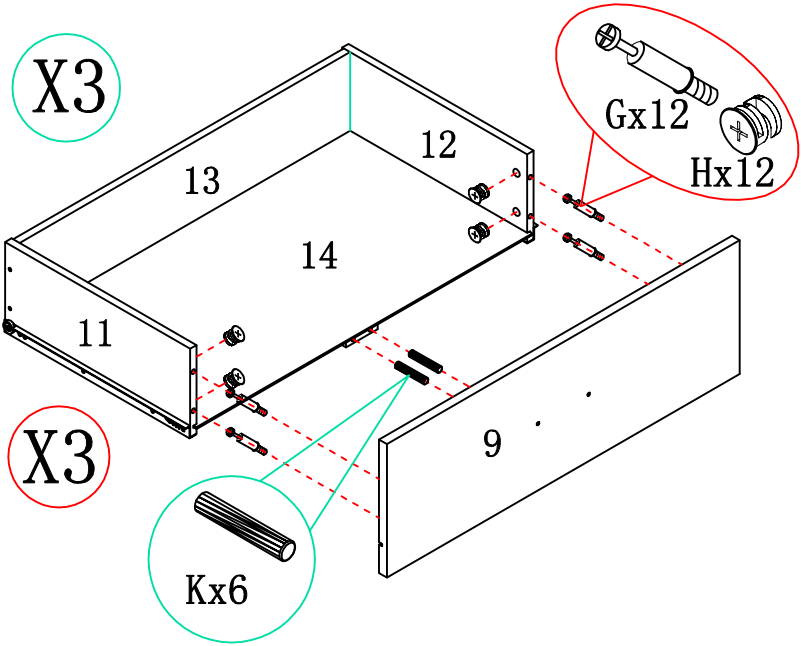
STEP9

STEP10



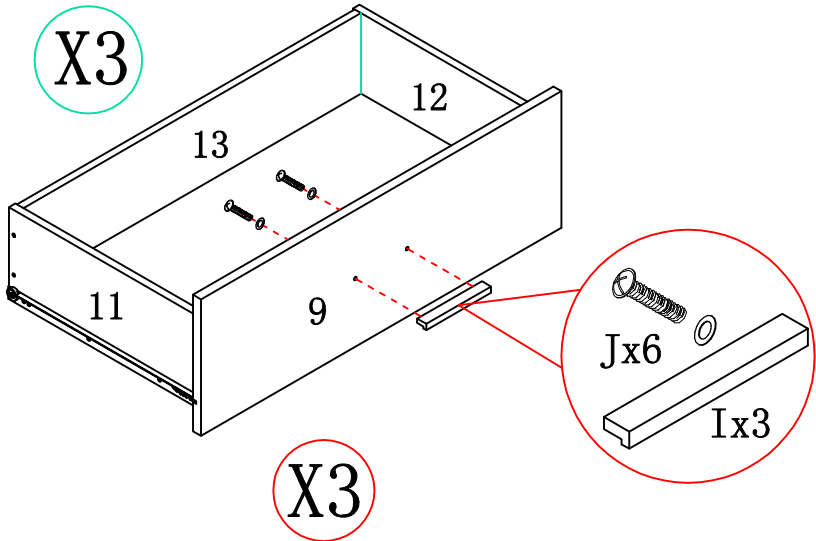
ASSEMBLY INSTRUCTION

ITEM#:MB8910



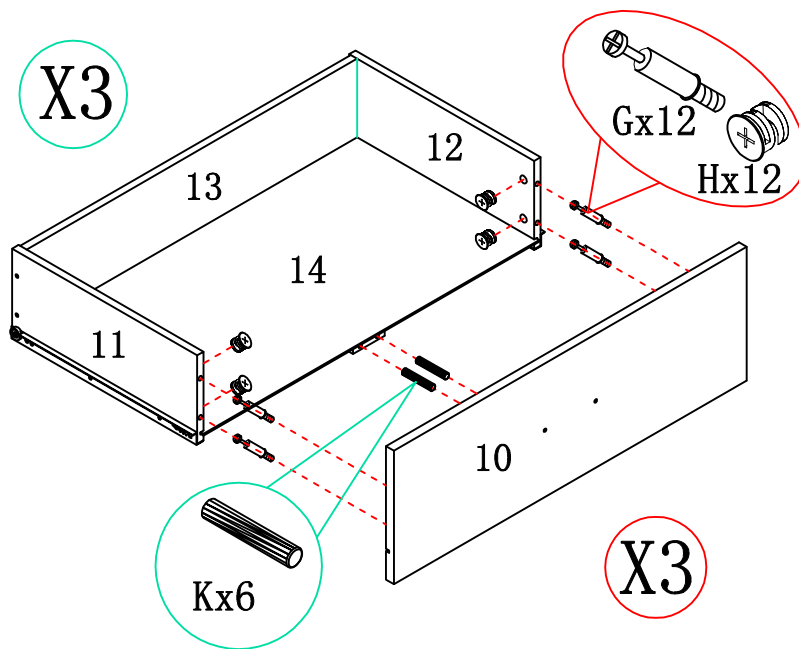
STEP11

STEP12



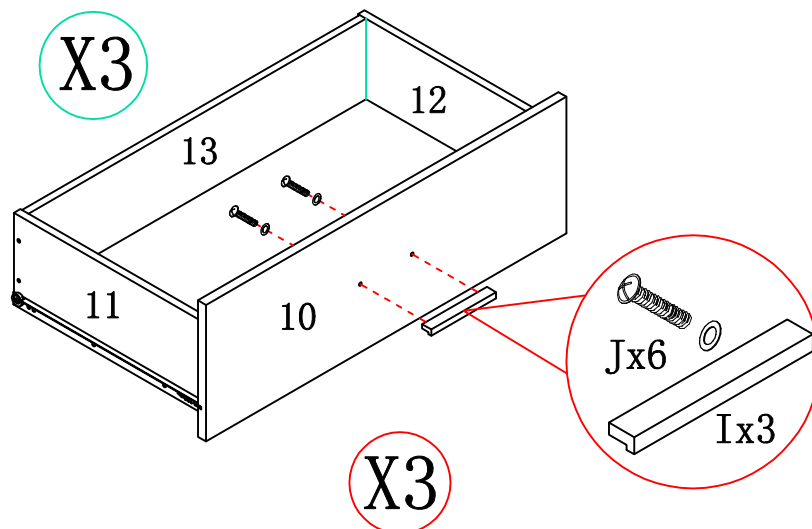
ASSEMBLY INSTRUCTION

ITEM#:MB8910



STEP13

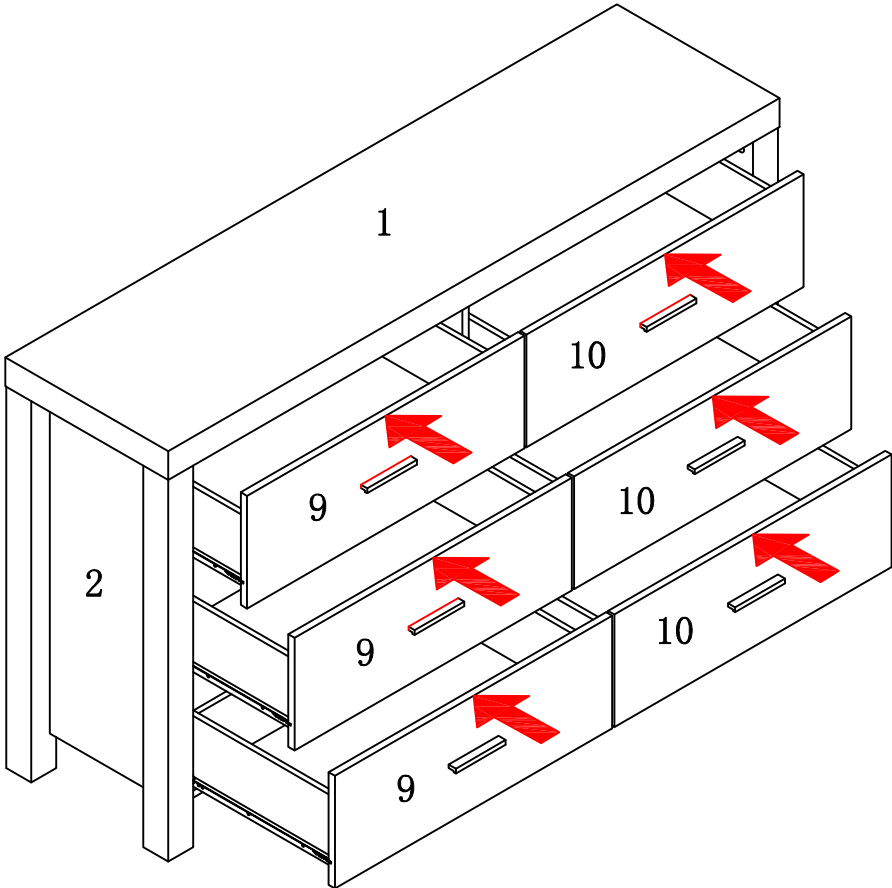
STEP14



ASSEMBLY INSTRUCTION

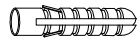
ITEM#:MB8910

STEP15

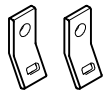


ANTI-TIPPING STRAP INSTRUCTION

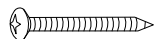
HARDWARE (INCLUDED) :



DRYWALL ANCHOR $\phi 8 \times 40$ X 1PC



METAL BRACKETS $12 \times 12 \times 1$ X 2PCS



DRYWALL SCREW $\phi 5 \times 40$ X 1PC

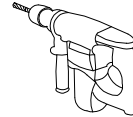


STRAP $197 \times 5 \times 1$ X 1PC



FLATHEAD SCREW $\phi 4 \times 25$ X 1PC

TOOLS NEEDED (NOT INCLUDED) :



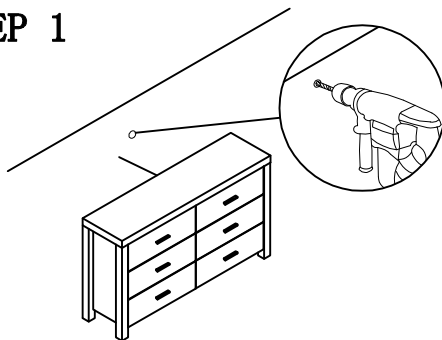
DRILL & DRILL BIT



LIGHT HAMMER

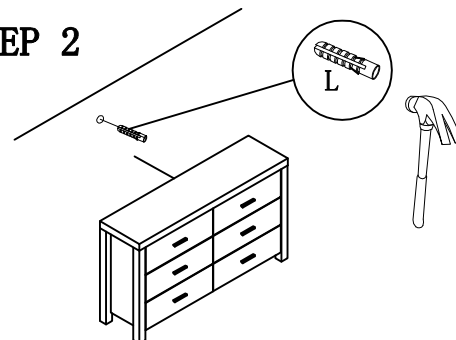
Note: Hardware included only compatible with standard drywalls.

STEP 1



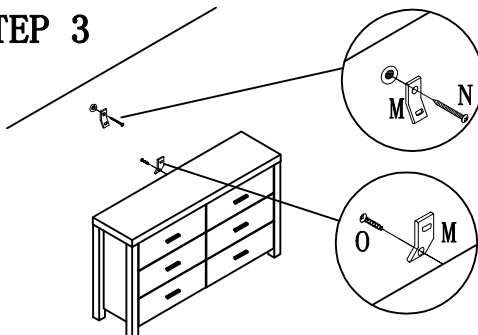
1. Find spot on wall 1" below top of item.
2. Using a drill bit slightly thinner than anchor, drill hole into drywall.

STEP 2



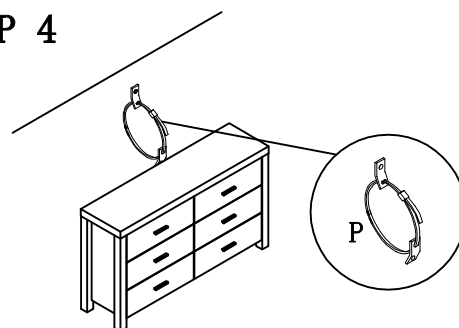
1. Use a light hammer to tap anchor into hole.
2. Anchor should fit snugly. If hole is too small, drill again to increase hole size. Do not force anchor into wall.

STEP 3



1. Insert drywall screw into metal bracket and into drywall anchor.
2. Insert flathead screw into second metal bracket and into back of item along top edge.

STEP 4



1. Insert strap thru bracket attached to wall, then thru bracket on item, and into head of strap.
 2. pull lightly til strap stops.
- Assembly is complete.